



# Online User's Guide

**ADS-4300N**

**ADS-4700W**

**ADS-4900W**

## Table of Contents

<b>Before You Use Your Brother Machine .....</b>	<b>1</b>
Definitions of Notes .....	2
Trademarks .....	3
Open Source Licensing Remarks .....	4
Copyright and License .....	5
Important Note .....	6
<b>Introduction to Your Brother Machine.....</b>	<b>7</b>
About This Machine .....	8
Set Up Your Scanner.....	9
Control Panel Overview .....	11
Assign the Scan Functions to Network Device Scan Buttons 1-3 .....	14
Touchscreen LCD Overview.....	15
Enter Text on Your Brother Machine .....	19
Customisation of Your Machine .....	20
Access Brother Utilities (Windows) .....	21
Uninstall the Brother Software and Drivers (Windows) .....	22
<b>Paper Handling .....</b>	<b>23</b>
Document Specifications.....	24
Acceptable Documents .....	25
Unacceptable Documents .....	27
Carrier Sheet Recommendations .....	34
Notes for Using Carrier Sheets .....	35
Load Documents .....	36
Load Standard Size Documents.....	37
Load Business Cards .....	39
Load a Plastic Card .....	40
Load Documents Longer than Standard Size .....	42
Load Non-standard Size Documents .....	44
Load Envelopes and Multi-Layered Transfer Paper .....	46
Load Receipts, Clippings, Photos, and Other Documents .....	48
<b>Scan.....</b>	<b>50</b>
Before Scanning.....	51
Scan Using the Scan Functions on Your Brother Machine .....	52
Save Scanned Documents on Your Computer.....	53
Save Scanned Documents Using Scan to Workflow Function .....	55
Save Scanned Documents to a USB Flash Drive .....	56
Send Scanned Data to an Email Recipient .....	60
Set Up the Address Book.....	63
Scan to FTP .....	65
Scan to SSH Server (SFTP).....	69
Scan to Network .....	76
Scan to SharePoint .....	80
Web Services for Scanning on Your Network (Windows 7, Windows 8.1 and Windows 10) .....	84
Change Scan Settings Using Brother iPrint&Scan.....	88
Restrict Scan Functions from External Devices .....	89

Scan from Your Computer (Windows) .....	90
Scan Using Nuance™ PaperPort™ 14SE or Other Windows Applications.....	91
Scan Using Windows Fax and Scan .....	99
Scan Using Brother iPrint&Scan (Windows) .....	102
Scan from Your Computer (Mac).....	103
Scan Using Brother iPrint&Scan (Mac) .....	104
Scan Using TWAIN-Compliant Applications (Mac).....	105
Using AirPrint Scanning .....	108
Configure Scan Settings Using Web Based Management.....	111
Set the Scan Job Email Report Using Web Based Management .....	112
<b>Network .....</b>	<b>113</b>
Supported Basic Network Features .....	114
Configure Network Settings .....	115
Configure Network Settings Using the Control Panel.....	116
Wireless Network Settings .....	117
Use the Wireless Network .....	118
Use Wi-Fi Direct® .....	126
Enable/Disable Wireless LAN .....	130
Wireless LAN Error Codes .....	131
Network Features.....	134
Configure and Operate LDAP Search .....	135
Synchronise Time with the SNTP Server Using Web Based Management .....	139
Reset the Network Settings to Factory Default .....	143
Brother Management Tools .....	144
<b>Security .....</b>	<b>145</b>
Before Using Network Security Features .....	146
Configure Certificates for Device Security .....	147
Supported Security Certificate Features .....	148
Step by Step Guide for Creating and Installing a Certificate .....	149
Create a Self-signed Certificate .....	150
Create CSR and Install a Certificate from a Certificate Authority (CA) .....	151
Import and Export the Certificate and Private Key .....	155
Import and Export a CA Certificate.....	158
Manage Multiple Certificates .....	161
Use SSL/TLS .....	162
Introduction to SSL/TLS .....	163
Manage Your Network Machine Securely Using SSL/TLS.....	166
Use SNMPv3.....	171
Manage Your Network Machine Securely Using SNMPv3 .....	172
Use IEEE 802.1x Authentication for a Wired or a Wireless Network .....	174
What Is IEEE 802.1x Authentication? .....	175
Configure IEEE 802.1x Authentication for a Wired or a Wireless Network Using Web Based Management (Web Browser).....	176
IEEE 802.1x Authentication Methods.....	178
Use Active Directory Authentication.....	179
Introduction to Active Directory Authentication.....	180
Configure Active Directory Authentication Using Web Based Management .....	181

Log On to Change the Machine Settings Using the Machine's Control Panel (Active Directory Authentication) .....	183
Use LDAP Authentication.....	184
Introduction to LDAP Authentication .....	185
Configure LDAP Authentication Using Web Based Management.....	186
Log On to Change the Machine Settings Using the Machine's Control Panel (LDAP Authentication) .....	187
Use Secure Function Lock 3.0.....	188
Before Using Secure Function Lock 3.0.....	189
Configure Secure Function Lock 3.0 Using Web Based Management .....	190
Configure Public Mode for Secure Function Lock 3.0.....	191
Configure Personal Home Screen Settings Using Web Based Management.....	192
Register an External IC Card Reader.....	193
Send an Email Securely.....	194
Configure Email Sending Using Web Based Management.....	195
Send an Email with User Authentication .....	196
Send an Email Securely Using SSL/TLS .....	197
Lock the Machine Settings from the Control Panel.....	198
Setting Lock Overview.....	199
<b>Brother Web Connect .....</b>	<b>203</b>
Brother Web Connect Overview.....	204
Configure the Proxy Server Settings Using Web Based Management .....	205
Online Services Used with Brother Web Connect.....	206
Set Up Brother Web Connect.....	208
Brother Web Connect Setup Overview.....	209
Create an Account for Each Online Service Before Using Brother Web Connect .....	211
Apply for Brother Web Connect Access .....	212
Register an Account on Your Brother Machine for Brother Web Connect.....	214
Scan and Upload Documents Using Brother Web Connect.....	215
<b>Brother iPrint&amp;Scan for Windows and Mac.....</b>	<b>216</b>
Brother iPrint&Scan Overview.....	217
Configure Scan to Workflow Settings Using Brother iPrint&Scan.....	218
<b>Troubleshooting .....</b>	<b>219</b>
Error and Maintenance Messages .....	220
Error Messages When Using the Brother Web Connect Feature.....	223
Error and Maintenance Indications .....	225
Document Jam .....	227
If You Are Having Difficulty with Your Machine .....	229
Scanning and Other Problems .....	230
AirPrint Scanning Problems .....	235
Network Problems .....	236
Check the Serial Number.....	244
Reset Your Brother Machine .....	246
<b>Routine Maintenance .....</b>	<b>247</b>
Clean Your Brother Machine .....	248
Clean the Outside of the Machine .....	249
Clean the Scanner and Rollers .....	250



Replace Supplies .....	255
Replacement Supplies and Optional Accessories .....	256
Check Replacement Cycles for Your Supplies .....	257
Replace the Roller Kit (ADS-4300N/ADS-4700W) .....	259
Replace the Roller Kit (ADS-4900W) .....	264
Pack and Ship Your Brother Machine .....	269
<b>Machine Settings.....</b>	<b>271</b>
Change Machine Settings from the Control Panel .....	272
In the Event of Power Failure (Memory Storage) .....	273
Change the General Settings from the Control Panel .....	274
Save Your Favourite Settings as a Shortcut.....	276
Change Machine Settings from Your Computer.....	282
Change Machine Settings Using Web Based Management .....	283
Change the Machine Settings Using Remote Setup .....	288
<b>Appendix.....</b>	<b>297</b>
Specifications .....	298
Chemical Substances (EU REACH) .....	302
Brother Help and Customer Support.....	303

## Before You Use Your Brother Machine

- [Definitions of Notes](#)
- [Trademarks](#)
- [Open Source Licensing Remarks](#)
- [Copyright and License](#)
- [Important Note](#)

## Definitions of Notes

We use the following symbols and conventions throughout this User's Guide:

 <b>CAUTION</b>	CAUTION indicates a potentially hazardous situation which, if not avoided, may result in minor or moderate injuries.
<b>IMPORTANT</b>	IMPORTANT indicates a potentially hazardous situation which, if not avoided, may result in damage to property or loss of product functionality.
<b>NOTE</b>	NOTE specifies the operating environment, conditions for installation, or special conditions of use.
	Tips icons indicate helpful hints and supplementary information.
<b>Bold</b>	Bold style identifies buttons on the machine's control panel or computer screen.
<i>Italics</i>	Italicised style emphasises an important point or refers you to a related topic.
(ADS-4700W/ADS-4900W) Courier New	Courier New font identifies messages shown on the machine's LCD.



### Related Information

- [Before You Use Your Brother Machine](#)

## Trademarks

Apple, App Store, AirPrint, Mac, macOS, iPadOS, iPad, iPhone, iPod touch and Safari are trademarks of Apple Inc., registered in the U.S. and other countries.

Kofax, Kofax Power PDF, Kofax Express, Kofax VRS Elite and PaperPort are trademarks or registered trademarks of Kofax or its affiliates in the United States and/or other countries.

Wi-Fi®, Wi-Fi Alliance® and Wi-Fi Direct® are registered trademarks of Wi-Fi Alliance®.

WPA™, WPA2™, WPA3™ and Wi-Fi Protected Setup™ are trademarks of Wi-Fi Alliance®.

OpenText and ISIS are either registered trademarks or trademarks of OpenText.

The Bluetooth® word mark is a registered trademark owned by Bluetooth SIG, Inc. and any use of such marks by Brother Industries, Ltd. is under license. Other trademarks and trade names are those of their respective owners.

EVERNOTE is a trademark of Evernote Corporation and used under a license.

Android, Google Drive, Google Play and Google Chrome are trademarks of Google LLC.

Intel is a trademark of Intel Corporation in the U.S. and/or other countries.

Each company whose software title is mentioned in this manual has a Software License Agreement specific to its proprietary programs.

**Any trade names and product names of companies appearing on Brother products, related documents and any other materials are all trademarks or registered trademarks of those respective companies.**



### Related Information

- [Before You Use Your Brother Machine](#)



## Open Source Licensing Remarks

This product includes open-source software.

To view Open Source Licensing Remarks and Copyright Information, go to your model's **Manuals** page at [support.brother.com](http://support.brother.com).



### Related Information

- [Before You Use Your Brother Machine](#)
-

## Copyright and License

©2021 Brother Industries, Ltd. All rights reserved.



### Related Information

- [Before You Use Your Brother Machine](#)
-

## Important Note

- The latest manuals are available at [support.brother.com/manuals](http://support.brother.com/manuals).
- Check [support.brother.com](http://support.brother.com) for Brother driver and software updates.
- To keep your machine performance up to date, check [support.brother.com](http://support.brother.com) for the latest firmware upgrade. Otherwise, some of your machine's functions may not be available.
- Do not use this product outside the country of purchase as it may violate the wireless telecommunication and power regulations of that country.
- When replacing or disposing of your machine, Brother strongly recommends resetting it to its factory settings to remove all personal information.
- Not all models are available in all countries.
- In this *User's Guide*, illustrations of the ADS-4300N are used, unless otherwise specified.
- The screens in this *User's Guide* are for illustration purposes only and may differ from the actual screens.
- Unless otherwise specified, the screens in this manual are from Windows 10 and macOS v11.0.x. Screens on your computer may vary depending on your operating system.
- The contents of this guide and the specifications of this product are subject to change without notice.



### Related Information

- [Before You Use Your Brother Machine](#)

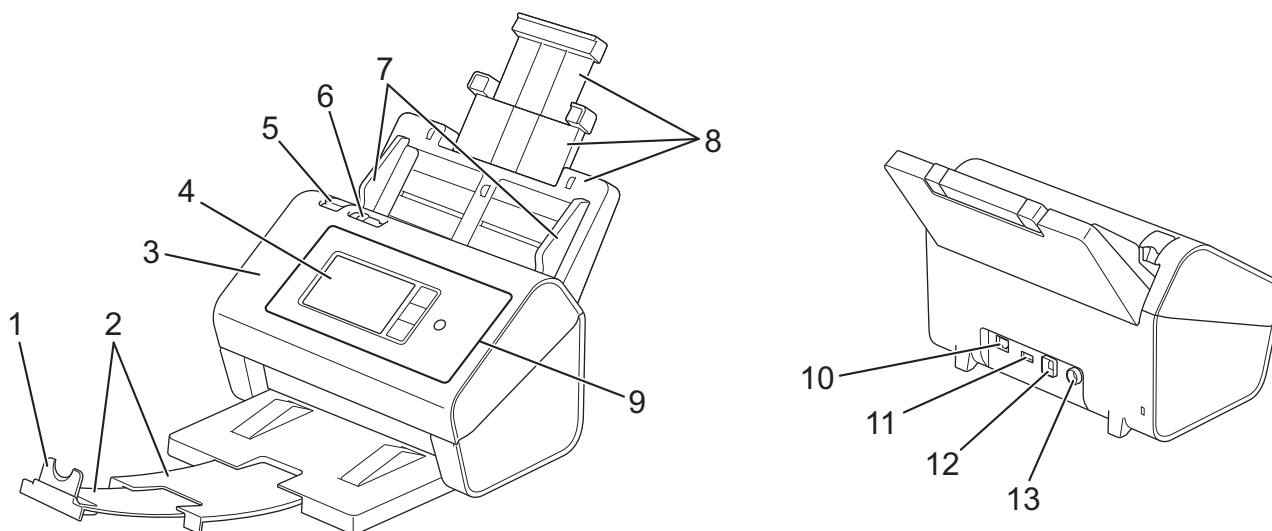
#### Related Topics:

- [Reset Your Brother Machine](#)
-

## Introduction to Your Brother Machine

- [About This Machine](#)
- [Set Up Your Scanner](#)
- [Control Panel Overview](#)
- [Touchscreen LCD Overview](#)
- [Enter Text on Your Brother Machine](#)
- [Customisation of Your Machine](#)
- [Access Brother Utilities \(Windows\)](#)

## About This Machine



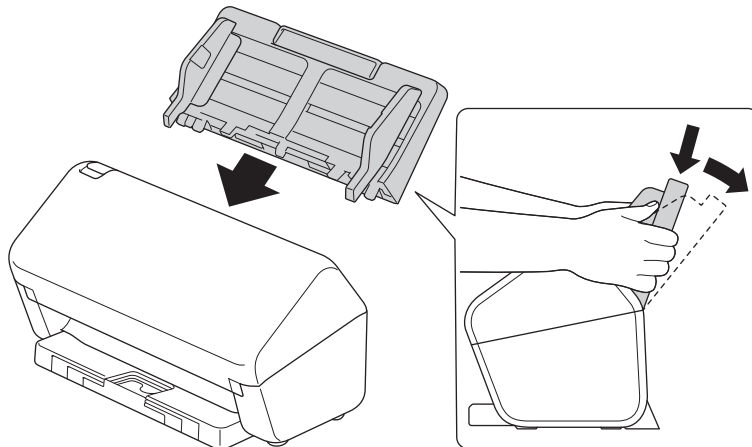
1. Document Stopper
2. Extendable Output Tray
3. Front Cover
4. Touchscreen LCD (ADS-4700W/ADS-4900W)
5. Front Cover Release Tab
6. Document Separation Switch
7. Paper Guides
8. Extendable Automatic Document Feeder (ADF)
9. Control Panel
10. Ethernet Cable Port
11. USB 2.0 Port (for connecting a USB flash drive)
12. USB 3.0 Port (for connecting to a computer)
13. AC Adapter Connector

### ✓ Related Information

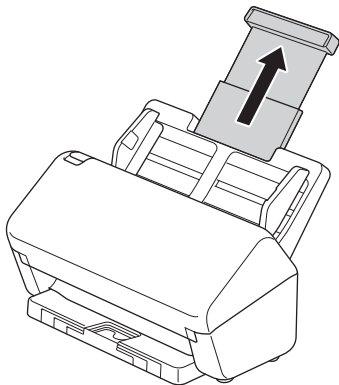
- [Introduction to Your Brother Machine](#)

## Set Up Your Scanner

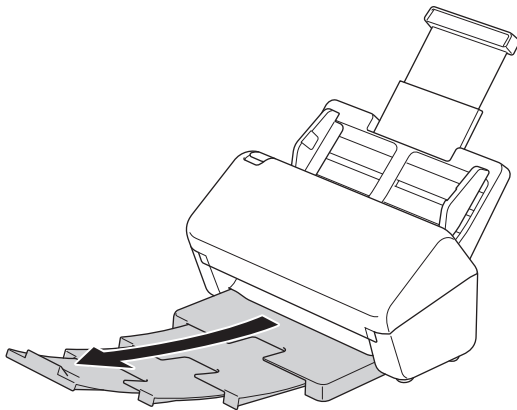
1. Attach the ADF firmly until it locks into place.



2. Pull the Extendable Tray from the ADF.

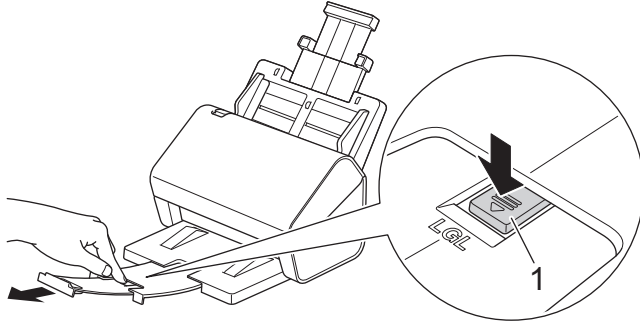


3. Extend the Output Tray to match the length of the document pages.



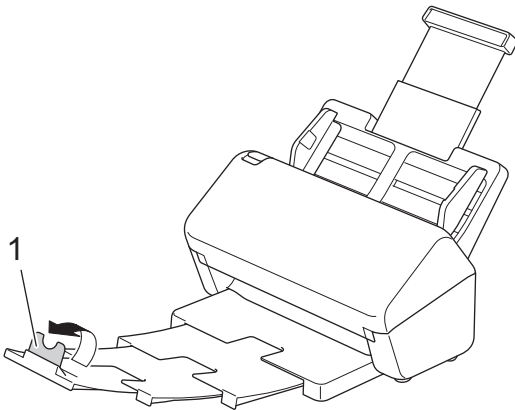


- (ADS-4900W) For Legal size documents, press the release button (1), and then extend the Output Tray. (Legal size paper is not available in some regions.)



- If the Output Tray is even slightly longer than the document size, pages may not be in their original order when you retrieve them from the Output Tray.

4. Lift and unfold the Document Stopper (1).



## CAUTION

Do not use the ADF as a handle to carry the scanner.

## Related Information

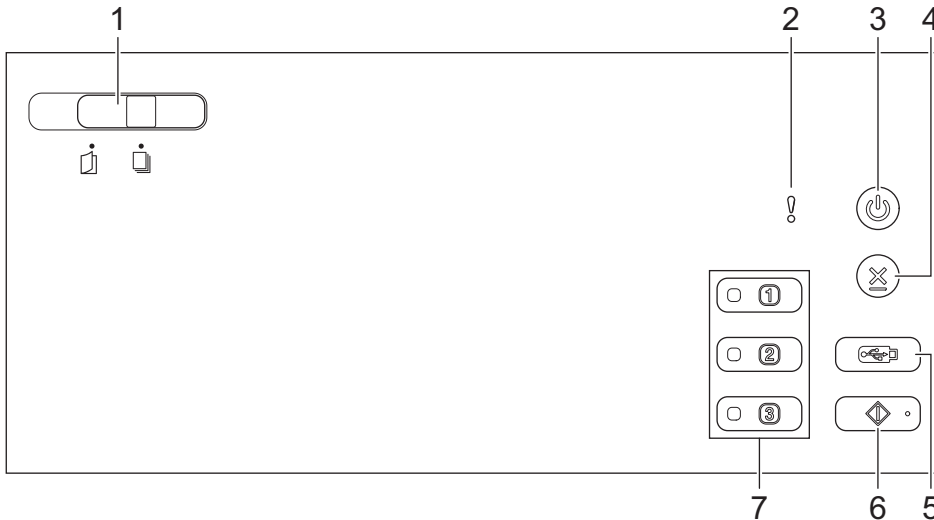
- [Introduction to Your Brother Machine](#)

## Control Panel Overview



>> ADS-4300N

>> ADS-4700W/ADS-4900W

### ADS-4300N



#### 1. Document Separation Switch


 (Manual Single Mode) /  (Continuous Feed Mode)


Slide to select the scanner feed mode.

#### 2. Error Indicator (with LED)

Blinks when the machine detects an error.

#### 3. (Power On/Off) (with LED)

Press  to turn the machine on.

Press and hold  to turn the machine off.

#### 4. (Stop)

Press to stop or cancel your current action and return to Ready Mode.

#### 5. (Scan to USB)

Press to scan to a USB flash drive.

#### 6. (Scan to PC)

Press to scan to the computer.



Install a scanning application (for example, Brother iPrint&Scan) and configure the settings within the application before scanning from the machine.

#### 7. Network Device Scan Buttons

Press one of these shortcut buttons to perform a "Scan to" function, after you have assigned it.

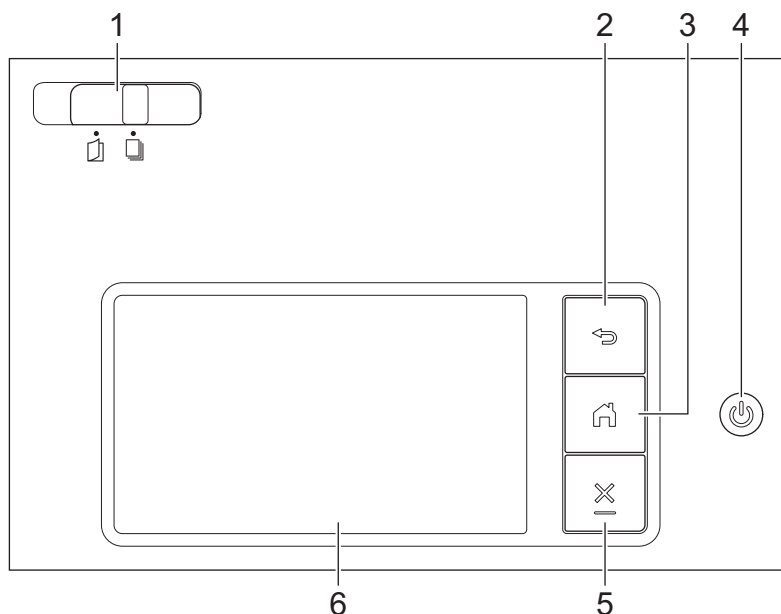
You can assign one of these "Scan to" functions to use it as a shortcut.

- Scan to FTP/SFTP
- Scan to Network
- Scan to PC (Network Connect)
- WS Scan



For more information on configuring "Scan to" functions, see *Related Information*.

## ADS-4700W/ADS-4900W



### 1. Document Separation Switch

 (Manual Single Mode) /  (Continuous Feed Mode)

Slide to select the scanner feed mode.


### 2. (Back)


Press to go back to the previous screen or menu.

### 3. (Home Button)

Press to return to the Home Screen and Ready Mode.

### 4. (Power On/Off) (with LED)

Press  to turn the machine on.

Press and hold  to turn the machine off. The LCD displays [Shutting Down] and stays on for a few seconds before turning off.

### 5. (Stop)

Press to stop or cancel your current action and return to Ready Mode.

### 6. Touchscreen LCD

Access the menus and options by pressing the touchscreen.

## Related Information

- [Introduction to Your Brother Machine](#)
  - [Assign the Scan Functions to Network Device Scan Buttons 1-3](#)

### Related Topics:

- [Scan to FTP](#)
- [Scan to SSH Server \(SFTP\)](#)
- [Scan to Network](#)
- [Save Scanned Documents on Your Computer](#)

- 
- [Web Services for Scanning on Your Network \(Windows 7, Windows 8.1 and Windows 10\)](#)
-

## Assign the Scan Functions to Network Device Scan Buttons 1-3

**Related Models:** ADS-4300N

Assign the following scan to network functions to each Network Device Scan Button if you want to use them as shortcut buttons:

- Scan to FTP/SFTP
- Scan to Network
- Scan to PC (Network Connect)
- WS Scan

1. Start your web browser.
2. Type "https://machine's IP address" in your browser's address bar (where "machine's IP address" is the machine's IP address).

For example:

https://192.168.1.2

3. If required, type the password in the **Login** field, and then click **Login**.



---


The default password to manage this machine's settings is located on the back of the machine and marked "Pwd".

---

4. Go to the navigation menu, and then click **Scan > Scan to Network Device**.



---

Start from , if the navigation menu is not shown on the left side of the screen.

---

5. Under **Network Device1**, click the **Type** drop-down menu and select the scan function you want to assign to Network Device Scan Button 1.
6. Select a profile name from the **Destination** drop-down list.
7. Repeat these steps to configure Network Device Scan Buttons 2 and 3.
8. Click **Submit**.



### Related Information

- [Control Panel Overview](#)

# Touchscreen LCD Overview

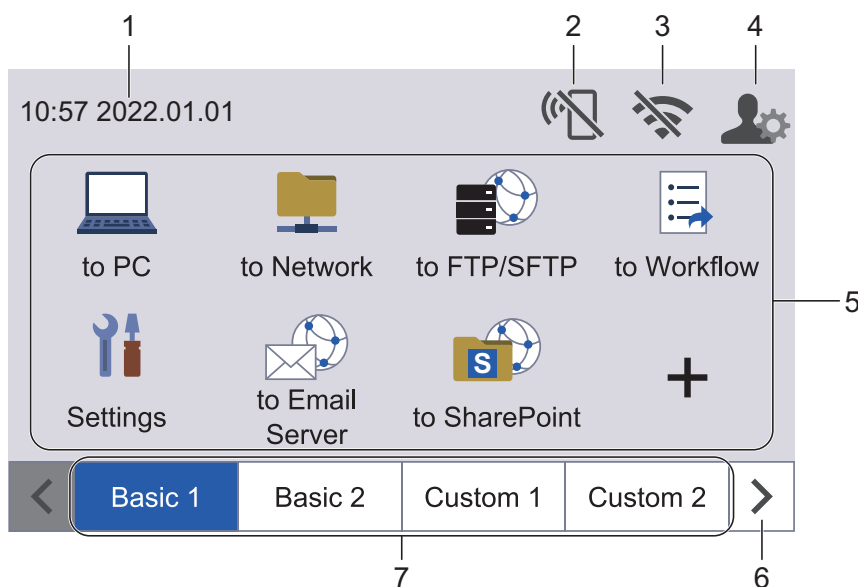
**Related Models:** ADS-4700W/ADS-4900W

## Home Screens

Your machine has eight tabbed screens (referred to as Home screens). Each Home screen can hold up to eight icons which can be used for functions, machine settings and shortcuts. A total of 57 icons can be placed on the Home screens as needed.

The Main Home screen can be selected from the Home screens.

Use the [Admin Settings] menu to group names on the tabs and rearrange the icons.



### 1. Date & Time




Displays the date and time set on the machine.

This area is also used to display error or maintenance messages.

### 2. (Wi-Fi Direct Status)




Press to configure Wi-Fi Direct settings.

The following icons show the Wi-Fi Direct status:

	<ul style="list-style-type: none"> <li>Your machine is not connected to the Wi-Fi Direct network. Press this icon to configure Wi-Fi Direct settings.</li> <li>The Wi-Fi Direct setting is disabled.</li> </ul>
	Your machine is connected to the Wi-Fi Direct network.
	The Wi-Fi Direct network cannot be detected.

### 3. (Wireless Status)

Each icon in the following table shows the wireless network status:

	<ul style="list-style-type: none"><li>Your machine is not connected to the wireless access point/router. Press this icon to configure wireless settings. For more detailed information, see the <i>Quick Setup Guide</i>.</li><li>The wireless setting is disabled.</li></ul>
	The wireless network is connected. A three-level indicator in each of the Home screens displays the current wireless signal strength.
	The wireless access point/router cannot be detected.



You can configure wireless settings by pressing the Wireless Status button.

### 4. (Admin Settings)






Press to access the [Admin Settings] menu.

## NOTE

If required, enter the password you use to manage this machine in Web Based Management, and then press [OK].





### 5. Function Icons, Setting Icons and Shortcut Icons

The following descriptions explain basic icons and features. The available features vary depending on your model.

-  ([Settings])  
Press to access the Settings menu.
-  ([to PC])  
Press to access the Scan to PC function.
-  ([to Network])  
Press to access the Scan to Network function.
-  ([to FTP/SFTP])  
Press to access the Scan to FTP/SFTP function.
-  ([to Workflow])  
Press to access the Scan to Workflow function.




Settings must be configured in iPrint&Scan in advance.

-  ([to Email Server])  
Press to access the Scan to Email Server function.
-  ([to SharePoint])  
Press to access the Scan to SharePoint function.
-  ([to USB])  
Press to access the Scan to USB function.
-  ([to Web])  
Press to connect your machine to an Internet service.

-  ([Apps])

Press to connect your machine to the Brother Apps service.

-  (Shortcuts)

Press to create Shortcuts for frequently used operations such as Scan to PC, Scan to Email Server, Scan to USB, or other functions.

You can quickly scan using the options set as Shortcuts.

## 6. Tabs Scroll Buttons

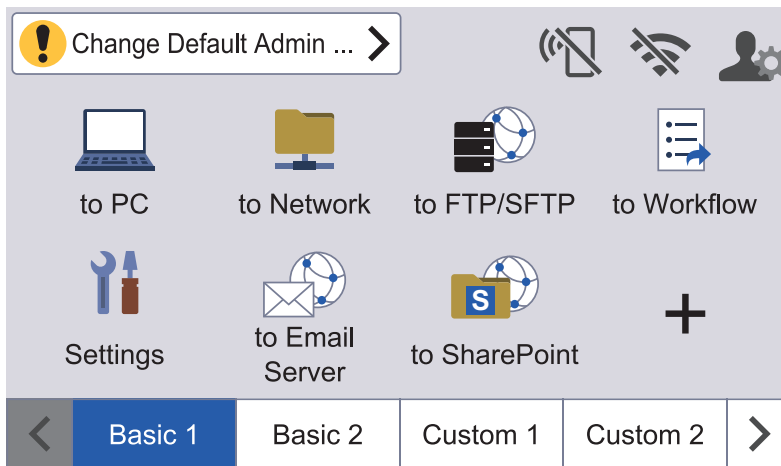
Press to display and access all the tabs.



## 7. Home Tabs

Press to display the Home screen.






- If an error message or notification appears in the information bar, press the message area to view the details.



- The warning icon  appears when there is an error or maintenance message.
- The information icon  appears when there are helpful hints or supplementary information available.
- This product adopts the font of ARPHIC TECHNOLOGY CO., LTD.

## Auto Start Scan

The Auto Start Scan feature allows you to start scanning automatically as soon a document is placed in the ADF. To use Auto Start Scan, you must first create an Auto Start Scan Shortcut and then enable the Auto Start Scan setting in General Setup:

1. Press  to display the [Custom 6] tab, and press it.
2. Press  to add the Auto Start Scan Shortcut.
3. Select the Shortcut function (for example, Scan to PC).
4. Press [Save as Shortcut]. When the LCD displays [These settings will be saved as a shortcut.], press [OK].
5. Enter the Shortcut Name and press [OK]. When the LCD displays [Make this a One Touch Shortcut?], press [OK].
6. Press  ([Settings]) to access the Settings menu. Press [General Setup] > [Auto Start Scan Mode] and select [On].


---

## NOTE

Only one Auto Start Scan profile can be saved at a time.

---

### Settings Menu

Press  ([Settings]) to check and access all the machine's settings.

- [General Setup]  
Press to access the General Settings menu.
- [Shortcut Settings]  
Press to set Shortcuts. This option is unavailable and cannot be selected if you have not added Shortcuts.
- [Network]  
Press to access Network settings.
- [Machine Info.]  
Press to check the machine's information.
- [Initial Setup]  
Press to access the [Date and Time], [Reset], and [Local Language] menus.



### Related Information

- [Introduction to Your Brother Machine](#)
-

## Enter Text on Your Brother Machine

**Related Models:** ADS-4700W/ADS-4900W

When you must enter text on your Brother machine, a keyboard appears on the touchscreen.

- The characters that are available may differ depending on your country.
- The keyboard layout may differ depending on the function you are setting.



- Press  to select letters, numbers and special characters.
- Press  to select lowercase and uppercase letters.

### Inserting spaces

- To enter a space, press .

### Making corrections

- If you entered an incorrect character and want to change it, press , and then enter the correct character.

## ✓ Related Information

- [Introduction to Your Brother Machine](#)



## Customisation of Your Machine

**Related Models:** ADS-4700W/ADS-4900W

The [Admin Settings] menu allows you to customise Home screen names and the arrangement of icons on the screens.

The [Home Screen Settings] menu provides the following functions:

- Renaming Home screen tabs
- Adding, removing and repositioning icons on Home screens
- Setting your Main Home screen
- Selecting screen background colour

The [Admin Settings] menu allows you to manage permissions and restrictions.

The [Restriction Management] menu provides the following functions:

- User Restriction
  - Secure Function Lock
  - Active Directory Authentication
  - LDAP Authentication
- Setting Lock (detailed settings are available.)

For more information, see *Related Information. Security and Lock the Machine Settings from the Control Panel.*



### Related Information

- [Introduction to Your Brother Machine](#)

#### Related Topics:


- [Security](#)
- [Lock the Machine Settings from the Control Panel](#)

## Access Brother Utilities (Windows)


**Brother Utilities** is an application launcher that offers convenient access to all Brother applications installed on your computer.


1. Do one of the following:

- Windows 10

Click  > **Brother** > **Brother Utilities**.

- Windows 8.1

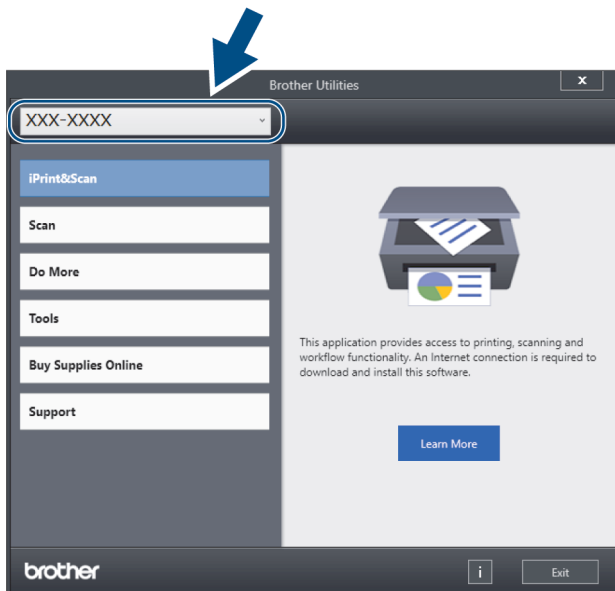
Move your mouse to the lower left corner of the **Start** screen and click  (if using a touch-based device, swipe up from the bottom of the **Start** screen to bring up the **Apps** screen).

When the **Apps** screen appears, tap or click  (**Brother Utilities**).

- Windows 7

Click  (**Start**) > **All Programs** > **Brother** > **Brother Utilities**.

2. Select your machine.



3. Select the operation you want to use.

### Related Information

- [Introduction to Your Brother Machine](#)
  - [Uninstall the Brother Software and Drivers \(Windows\)](#)


## Uninstall the Brother Software and Drivers (Windows)


1. Do one of the following:

- Windows 10

Click  > **Brother** > **Brother Utilities**.

- Windows 8.1

Move your mouse to the lower left corner of the **Start** screen and click  (if using a touch-based device, swipe up from the bottom of the **Start** screen to bring up the **Apps** screen).

When the **Apps** screen appears, tap or click  (**Brother Utilities**).

- Windows 7

Click  (**Start**) > **All Programs** > **Brother** > **Brother Utilities**.

2. Click the drop-down list, and then select your model name (if not already selected). Click **Tools** in the left navigation bar, and then click **Uninstall**.

Follow the instructions in the dialog box to uninstall the software and drivers.



### Related Information

- [Access Brother Utilities \(Windows\)](#)

## Paper Handling

- [Document Specifications](#)
- [Load Documents](#)

## Document Specifications

- [Acceptable Documents](#)
- [Unacceptable Documents](#)
- [Carrier Sheet Recommendations](#)
- [Notes for Using Carrier Sheets](#)

## Acceptable Documents

Do not load documents of varying page thickness or paper quality at the same time.

### Standard Paper

Width	50.8 mm to 215.9 mm	
Length	50.8 mm to 355.6 mm	
Weight	ADS-4300N/ADS-4700W: 40 g/m <sup>2</sup> to 200 g/m <sup>2</sup> ADS-4900W: 25 g/m <sup>2</sup> to 413 g/m <sup>2</sup>	
Thickness	ADS-4300N/ADS-4700W: 0.08 mm to 0.28 mm ADS-4900W: 0.04 mm to 0.53 mm To scan thinner documents, use the optional Carrier Sheet.	
Maximum Number of Pages <sup>1</sup>	ADS-4300N/ADS-4700W: Up to 80 sheets ADS-4900W: Up to 100 sheets	
Standard Paper Size	A4	210 mm x 297 mm
	A5	148 mm x 210 mm
	A6	105 mm x 148 mm
	B5	182 mm x 257 mm
	B6	128 mm x 182 mm
	Legal	215.9 mm x 355.6 mm
	Mexican Legal	215.9 mm x 339.9 mm
	India Legal	215 mm x 345 mm
	Letter	215.9 mm x 279.4 mm
	Executive	184.1 mm x 266.7 mm
	Folio	215.9 mm x 330.2 mm

### Plastic Card

Size (ISO)	85.60 mm x 53.98 mm
Material	Plastic (PET)
Type	Plastic card such as a store card.
Thickness	Up to 1.32 mm (with embossing) Up to 1.10 mm (without embossing)
Maximum Number of Cards	<ul style="list-style-type: none"> <li>• ADS-4300N/ADS-4700W One card (with embossing) One card (without embossing)</li> <li>• ADS-4900W One card (with embossing) Five cards (without embossing)</li> </ul>



Certain types of embossed cards may not scan correctly.

<sup>1</sup> When using 80 g/m<sup>2</sup> plain paper.



## Related Information

- Document Specifications
-

## Unacceptable Documents

The following types of documents may not be scanned successfully:

- Documents with a carbon sheet attached
- Documents written in pencil
- Documents of uneven thickness, such as envelopes
- Documents with large wrinkles or curls
- Documents that use tracing paper
- Documents that use coated paper
- Photographs (photographic paper)
- Documents printed on perforated paper
- Documents printed on unusually-shaped paper (not square or rectangle)
- Documents with photos, notes, or stickers affixed to them
- Documents that use carbonless paper
- Documents that use loose-leaf paper or any paper with holes in it
- Documents with paper clips or staples
- Documents with wet ink
- Fabrics, metallic sheets, or overhead projector sheets
- Glossy or mirrored media
- Documents that exceed recommended thicknesses

### IMPORTANT

- Carbonless papers contain chemical substances that may damage the rollers (for example, the Pick Up Roller). If paper jams occur frequently, clean the Brake Roller and Pick Up Roller. The life of the Brake Roller and Pick Up Roller may be reduced compared to scanning paper with high wood content.
- When scanning paper with high wood content, the life of the Brake Roller and Pick Up Roller may be reduced compared to scanning wood-free paper.
- The Brake Roller and Pick Up Roller may become damaged when a photo or sticky note on the document touches these parts during scanning.
- The surface of the document may be damaged when scanning glossy papers such as photographs.
- The damage caused by using any unacceptable documents with your Brother machine may not be covered under warranty.



### Related Information

- [Document Specifications](#)
  - [Automatic Document Feeder \(ADF\) Paper Capacity](#)
  - [Document Areas That Should Not Be Perforated](#)
  - [Multifeed Detection](#)
  - [Scan a Mixed Batch](#)

### Related Topics:

- [Clean the Scanner and Rollers](#)



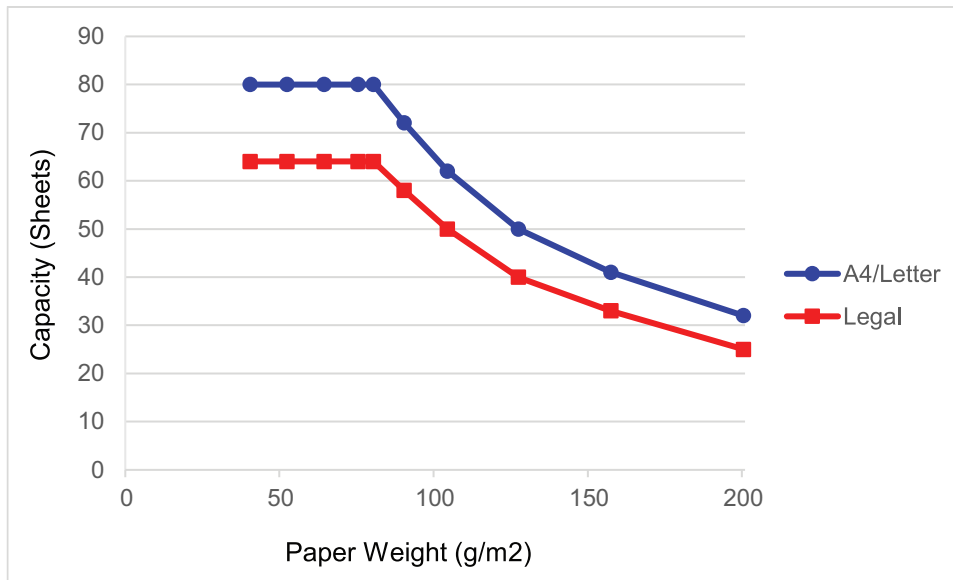
## Automatic Document Feeder (ADF) Paper Capacity

>> [ADS-4300N/ADS-4700W](#)

>> [ADS-4900W](#)

### ADS-4300N/ADS-4700W

The number of sheets that you can load in the ADF depends on the paper size and paper weight.

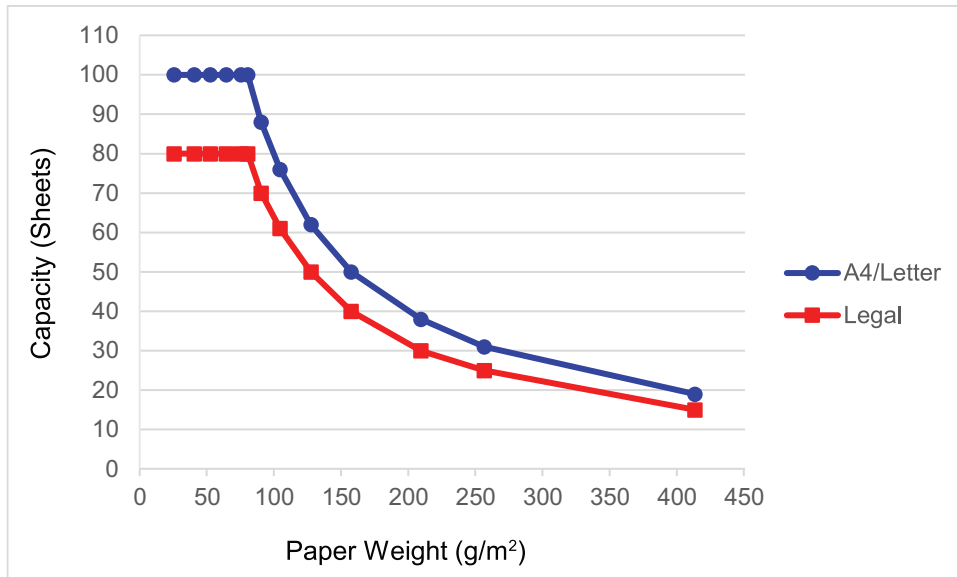


### Capacity (Sheets) vs Paper Weight

	Paper Size	Paper Weight										
		g/m <sup>2</sup>	40	52	64	75	80	90	104	127	157	200
Capacity (Sheets)	A4/Letter	-	80	80	80	80	80	72	62	50	41	32
	Legal	-	64	64	64	64	64	58	50	40	33	25

### ADS-4900W

The number of sheets that you can load in the ADF depends on the paper size and paper weight.



### Capacity (Sheets) vs Paper Weight

	Paper Size	Paper Weight														
		g/m <sup>2</sup>	25	40	52	64	75	80	90	104	127	157	209	256	413	
Capacity (Sheets)	A4/ Letter	-	100	100	100	100	100	100	100	88	76	62	50	38	31	19
	Legal	-	80	80	80	80	80	80	80	70	61	50	40	30	25	15

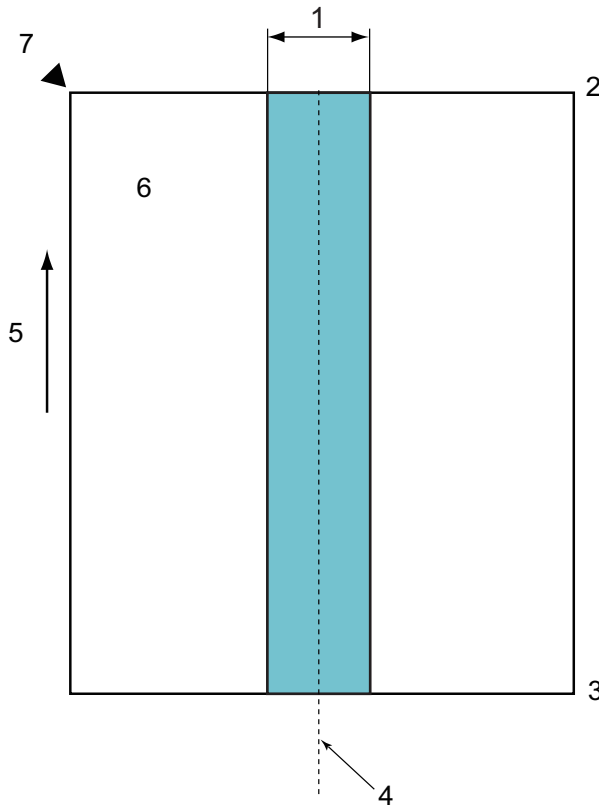


#### Related Information

- [Unacceptable Documents](#)

## Document Areas That Should Not Be Perforated

Avoid perforating or punching holes in the shaded area shown in the illustration. Doing so will cause a scanning error.



1. ADS-4900W: 45 mm  
ADS-4300N/ADS-4700W: 80 mm
2. Top
3. Bottom
4. Centre
5. Feed direction
6. Front side
7. Reference point



- This condition applies when the document is set in the centre of the Pick Up Roller.
- If there are holes punched, or other paper taped or otherwise attached in the shaded area, multifeed detection may not be performed. For more information about multifeed detection, see *Related Information*.



### Related Information

- [Unacceptable Documents](#)

#### Related Topics:

- [Multifeed Detection](#)


## Multifeed Detection

Multifeed occurs when two or more sheets are fed through the ADF at the same time, or when different document lengths are detected.

Multifeed detection checks for overlapping documents, the length of documents, or both. The following conditions must be met to avoid triggering multifeed detection:

- ADS-4300N/ADS-4700W
  - All pages in the document loaded in the ADF must be the same weight.  
Paper weight must be between 40 g/m<sup>2</sup> and 200 g/m<sup>2</sup>.
  - The 80 mm area in the centre of the document must be free of perforations or holes, and must have no other documents attached to it.
  - The document must be placed in the centre of the Pick Up Roller.
  - All pages in the document must be wider than 80 mm.
- ADS-4900W
  - All pages in the document loaded in the ADF must be the same weight.  
Paper weight must be between 35 g/m<sup>2</sup> and 413 g/m<sup>2</sup>.
  - The 45 mm area in the centre of the document must be free of perforations or holes, and must have no other documents attached to it.
  - The document must be placed in the centre of the Pick Up Roller.



- Scanning thick documents such as plastic cards may incorrectly result in multifeed errors. If this happens, disable multifeed detection.
- A multifeed cannot be detected when the machine is set to  (Manual Single Mode).
- If the document paper are too thin or the width of the documents is too narrow, the sensor may not be able to detect a multifeed.



### Related Information

- [Unacceptable Documents](#)

## Scan a Mixed Batch

The following conditions apply when scanning a mixed batch of documents with different paper weights, friction coefficients, or sizes. Make sure to test a few sheets first to check if the documents can be scanned.

### Paper direction

Align the direction of the paper fibre with the feed direction.

### Paper weight

Use the following paper weights:

- ADS-4300N/ADS-4700W  
40 g/m<sup>2</sup> to 200 g/m<sup>2</sup>
- ADS-4900W  
25 g/m<sup>2</sup> to 413 g/m<sup>2</sup>

### Friction coefficient

We recommend using the same type of paper from the same manufacturer. When papers of different manufacturers/brands are mixed, it affects the feeding performance as the difference in the friction coefficient increases.

We recommend using friction coefficients between 0.35 and 0.6 (reference value for paper friction coefficient).

### Document position

Use paper sizes that fit the 45 mm width of the Pick Up Roller in the centre.

### Paper size

When you scan a mixed batch with different sizes, not feeding the documents straight may cause problems, such as paper jams or part of the image to appear missing.

We recommend checking the documents thoroughly before scanning and also checking the image if the document was skewed.



---

When scanning a mixed batch with different sizes, documents are more likely to skew while feeding because the Paper Guides do not touch every sheet.

---

### Documents that cannot be scanned in a mixed batch

The following types of documents cannot be mixed in the same batch:

- Carbonless paper
- Bond paper
- Perforated documents
- Thermal paper
- Carbon-backed paper
- OHP film
- Tracing paper
- Synthetic paper
- Bent or damaged documents
- Thin paper
  - ADS-4300N/ADS-4700W  
Less than 40 g/m<sup>2</sup>
  - ADS-4900W  
Less than 25 g/m<sup>2</sup>

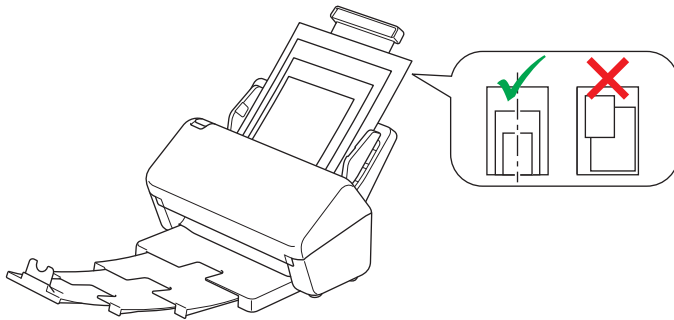
---

## How to scan a mixed batch

Load your document in the ADF in descending order of paper size with the largest at the back and the smallest at the front.



If you are loading a paper business card, load it horizontally.



## Related Information

- [Unacceptable Documents](#)

## Carrier Sheet Recommendations

Brother recommends using an optional Carrier Sheet to scan the following documents:

- Documents with a carbon sheet attached
- Documents written in pencil
- Documents narrower than 50.8 mm
- Documents shorter than 50.8 mm
- Pages thinner than 0.08 mm
- Documents of uneven thickness, such as envelopes
- Documents with large wrinkles or curls
- Bent or damaged documents
- Documents that use tracing paper
- Documents that use coated paper
- Photographs (photographic paper)
- Documents printed on perforated paper
- Documents printed on unusually-shaped paper (not square or rectangle)
- Documents with photos, notes, or stickers attached to them
- Documents that use carbonless paper
- Documents that use loose-leaf paper or any paper with holes in it

### CAUTION

To avoid cutting yourself, do not slide or scrape your hand or fingers along the edge of the Carrier Sheet.

### IMPORTANT

- To avoid warping the Carrier Sheet, do not place the Carrier Sheet in direct sunlight or in an area subject to high temperatures and high humidity.
- To avoid damaging the Carrier Sheet, do not bend or pull it. Do not use a damaged Carrier Sheet, as it may produce incorrect scan results.

### Related Information

- [Document Specifications](#)

#### Related Topics:

- [Replacement Supplies and Optional Accessories](#)

## Notes for Using Carrier Sheets

- To avoid document jams, do not load the optional Carrier Sheet upside down. See the instructions printed on the Carrier Sheet itself for more information.
- To avoid document jams, do not put several small documents into the Carrier Sheet at the same time. Insert only one document into the Carrier Sheet at a time.
- Do not write on the Carrier Sheet, as the writing may be seen in scanned documents. If the Carrier Sheet becomes dirty, wipe it with a dry cloth.
- Do not leave documents in the Carrier Sheet for extended periods of time; the printing on the documents may bleed through onto the Carrier Sheet.
- **If you use any of the Unacceptable Documents and damage your Brother machine, it may not be covered under warranty.**



### Related Information

- [Document Specifications](#)

#### Related Topics:

- [Replacement Supplies and Optional Accessories](#)



## Load Documents

The ADF can hold multiple pages and feeds each sheet individually. Use 80 g/m<sup>2</sup> paper and always fan the pages before placing them in the ADF.

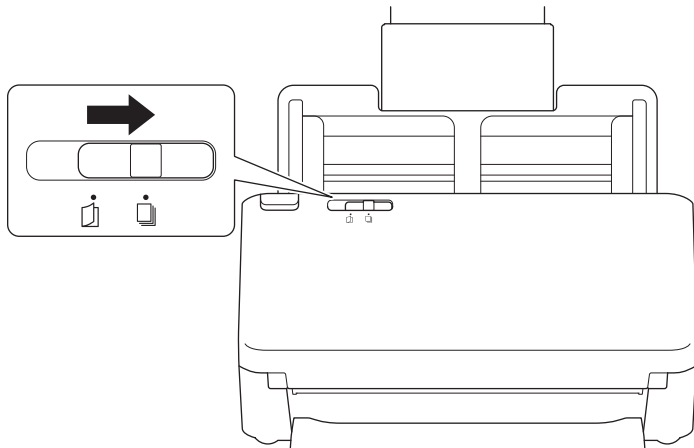
### IMPORTANT

- Make sure documents with ink or correction fluid are completely dry.
- DO NOT pull on the document while it is feeding.
- DO NOT use paper that is curled, wrinkled, folded, ripped, stapled, paper-clipped, pasted, or taped.
- DO NOT use cardboard or fabric.

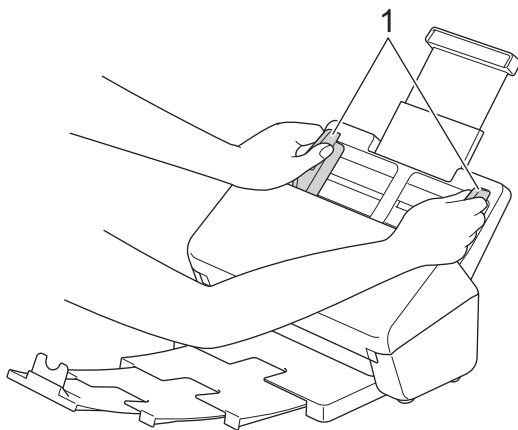
- 
- [Load Standard Size Documents](#)
  - [Load Business Cards](#)
  - [Load a Plastic Card](#)
  - [Load Documents Longer than Standard Size](#)
  - [Load Non-standard Size Documents](#)
  - [Load Envelopes and Multi-Layered Transfer Paper](#)
  - [Load Receipts, Clippings, Photos, and Other Documents](#)

## Load Standard Size Documents

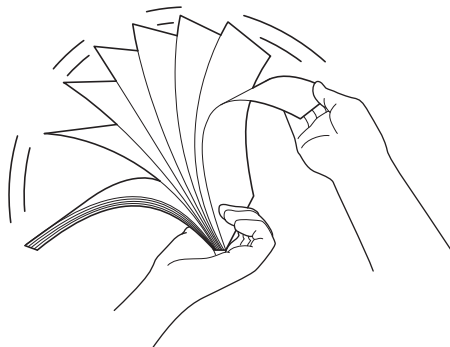
1. Make sure the Document Separation Switch is set to  (Continuous Feed Mode).



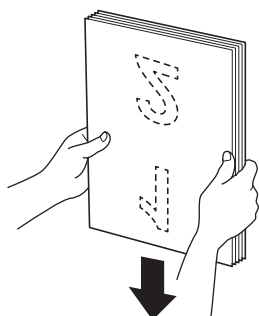
2. Gently adjust the Paper Guides (1) to fit the width of your document.



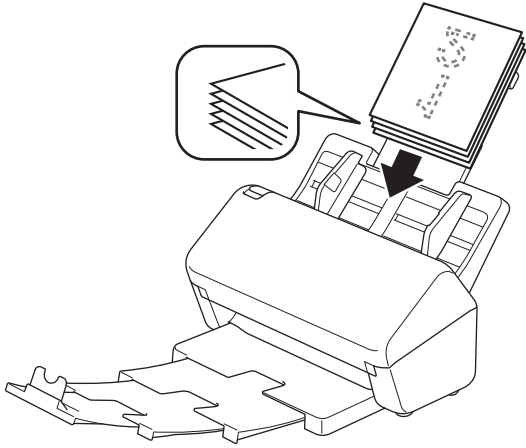
3. Fan the pages several times along both the long edge and the short edge.



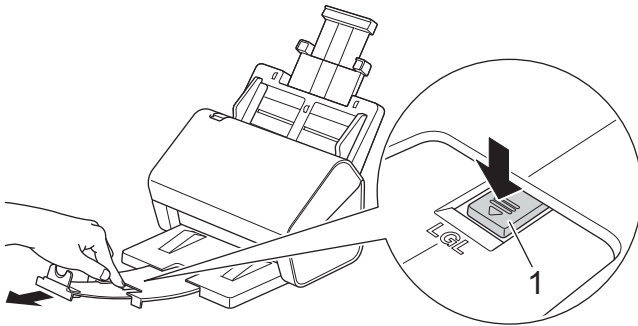
4. Align the edges of the pages.



- 
5. Place your document, *face down, top edge first* in the ADF between the Paper Guides until you feel it touch the inside of the machine. Feed thin pages slowly and carefully to keep the edge from being folded.



(ADS-4900W) For Legal size documents, press the release button (1), and then extend the Output Tray. (Legal size paper is not available in some regions.)

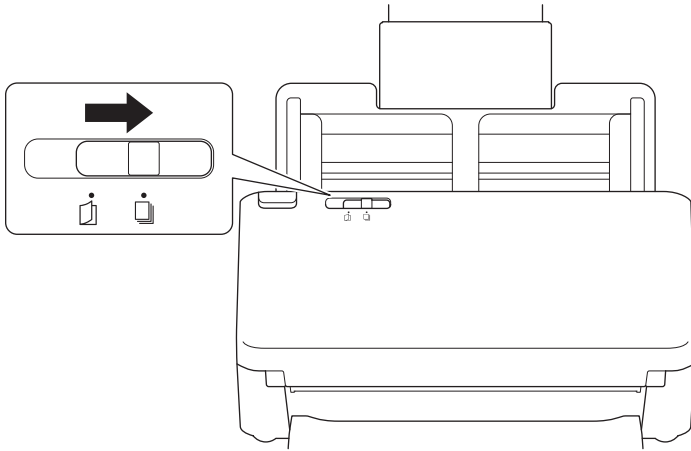


### Related Information

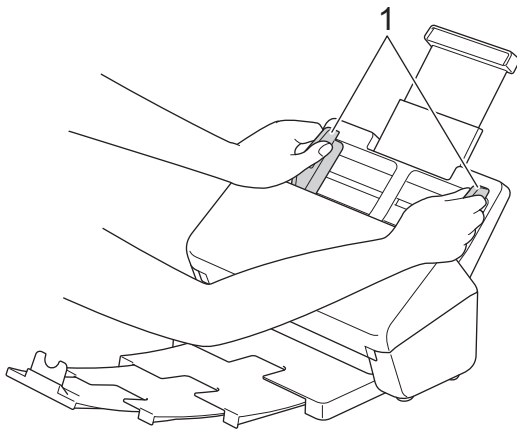
- [Load Documents](#)

## Load Business Cards

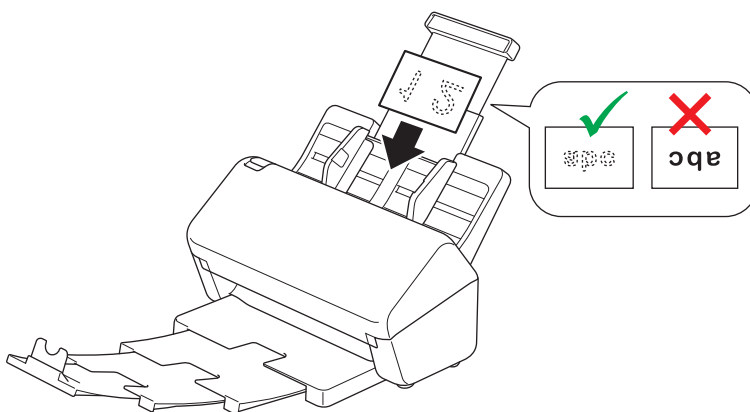
1. Make sure the Document Separation Switch is set to  (Continuous Feed Mode).



2. Gently adjust the Paper Guides (1) to fit the width of your document.



3. Place the card, *face down*, *top edge first* in the ADF between the Paper Guides until you feel it touch the inside of the machine.



You can load the following number of business cards at a time:

- Up to 30 cards (total thickness less than 8 mm)

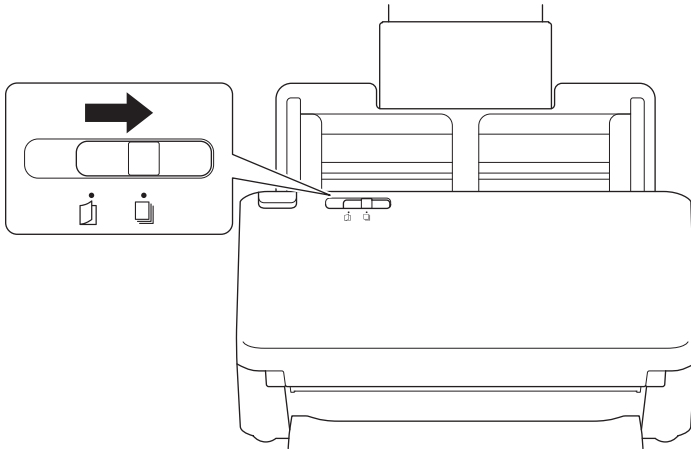


### Related Information

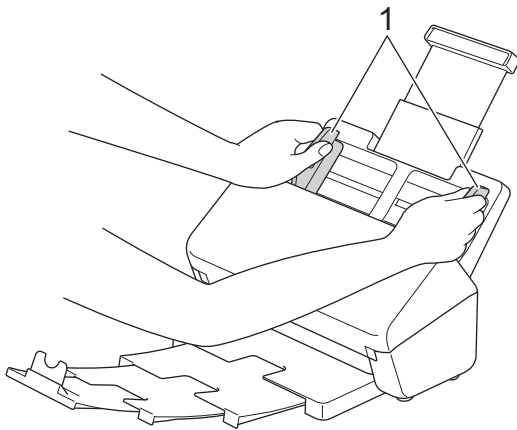
- [Load Documents](#)

## Load a Plastic Card

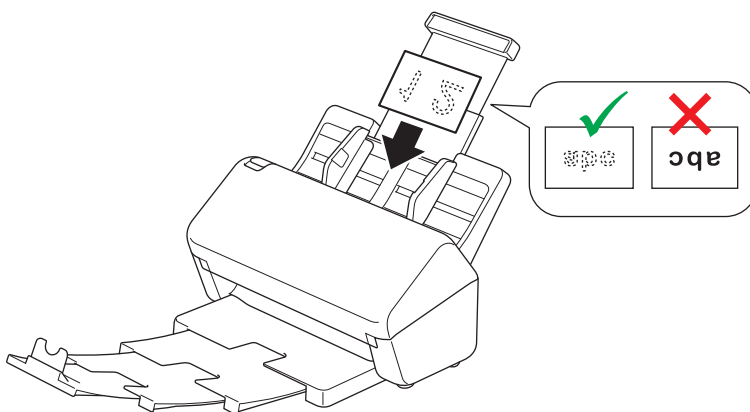
1. Make sure the Document Separation Switch is set to  (Continuous Feed Mode).



2. Gently adjust the Paper Guides (1) to fit the width of your document.



3. Place the card, *face down*, *top edge first* in the ADF between the Paper Guides until you feel it touch the inside of the machine.



- Load only one plastic card (with embossing) at a time.
- Certain types of plastic cards may be scratched when scanned.
- Rigid cards may not be fed correctly.
- If the surface of the card is dirty with grease marks (for example, fingerprints) or similar, wipe the dirt off before scanning.



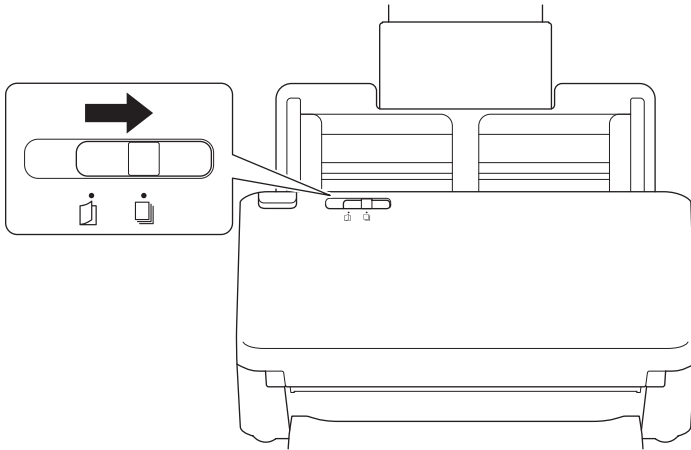
## Related Information

- [Load Documents](#)
-

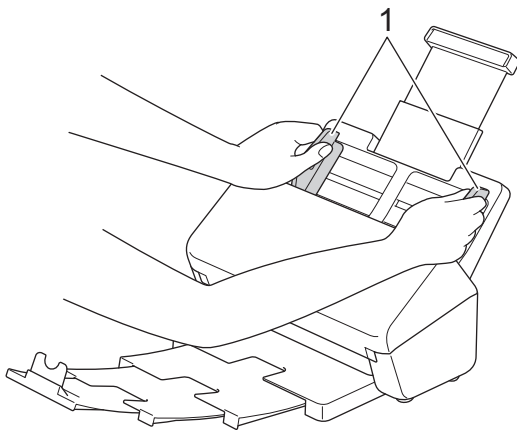
## Load Documents Longer than Standard Size

Make sure documents with ink or correction fluid are completely dry.

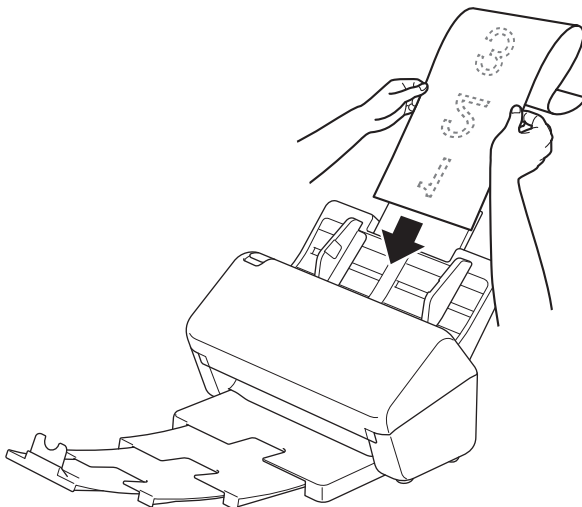
1. Make sure the Document Separation Switch is set to  (Continuous Feed Mode).



2. Gently adjust the Paper Guides (1) to fit the width of your document.

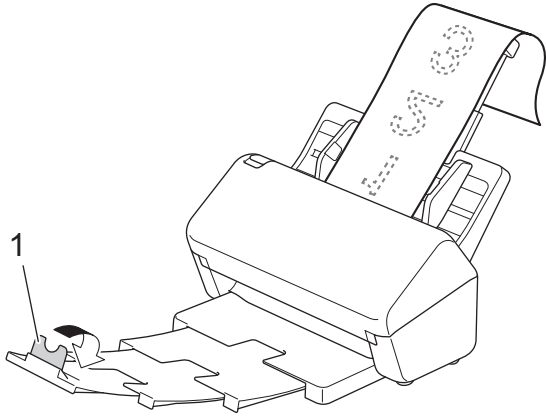


3. Place your document, *face down, top edge first* in the ADF between the Paper Guides until you feel it touch the inside of the machine.



- Load only one document at a time.
- Support the document with your hand if the document is longer than the extended ADF.

4. Close the Document Stopper (1).




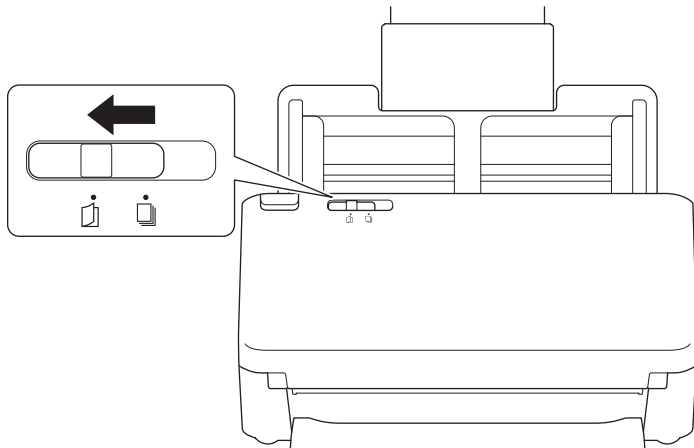
## Related Information


- [Load Documents](#)



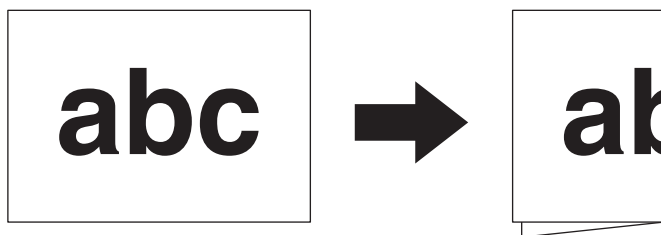
## Load Non-standard Size Documents

1. Slide the Document Separation Switch to the left and confirm that it is set to  (Manual Single Mode).

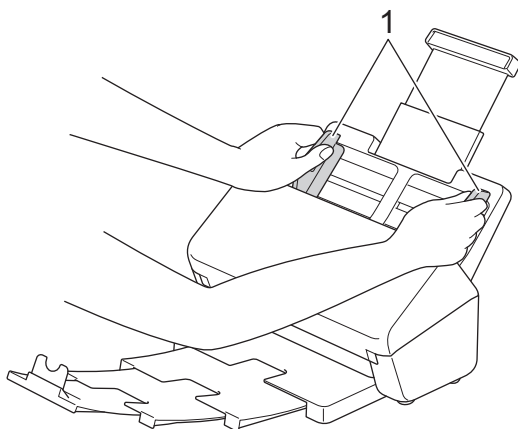


 When the machine is in Manual Single Mode, Multifeed Detection is not available.

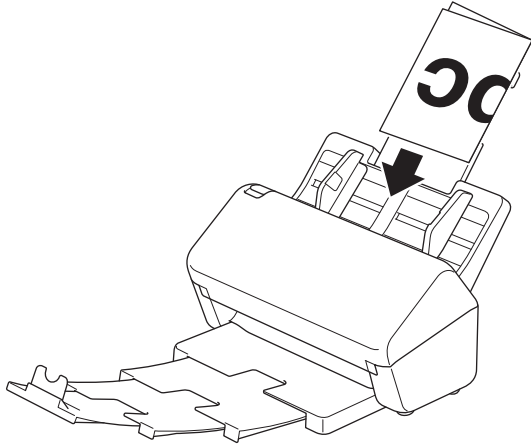
2. Fold your document in half, as shown.



3. Gently adjust the Paper Guides (1) to fit the width of your document.



4. Place your document, *face down, top edge first* in the ADF between the Paper Guides until you feel it touch the inside of the machine.




## IMPORTANT

DO NOT slide the Document Separation Switch during scanning. Doing this may damage the machine.

---

## NOTE

When finished, slide the Document Separation Switch to the right and confirm that it is set to  (Continuous Feed Mode).


---

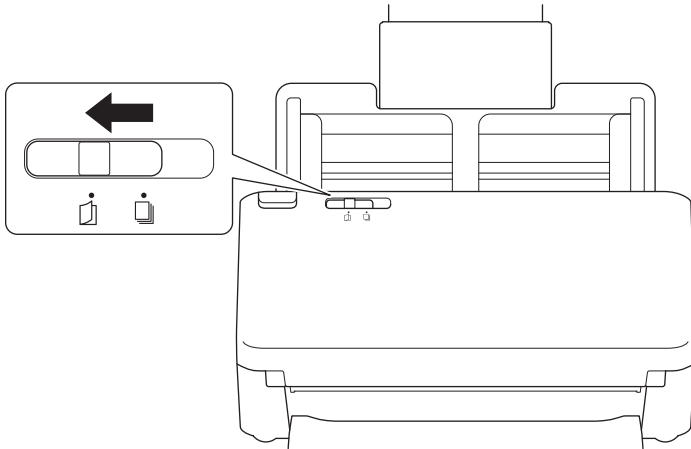


## Related Information

- [Load Documents](#)
-

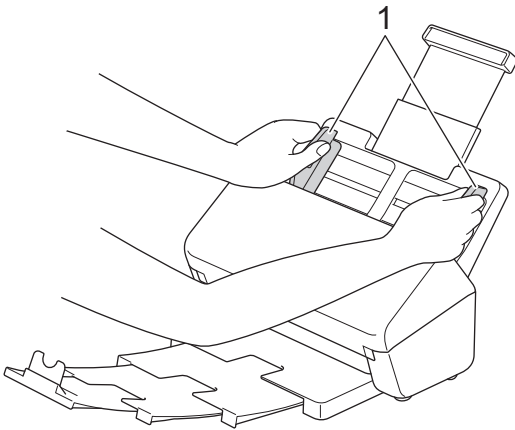
## Load Envelopes and Multi-Layered Transfer Paper

1. Slide the Document Separation Switch to the left and confirm that it is set to  (Manual Single Mode).

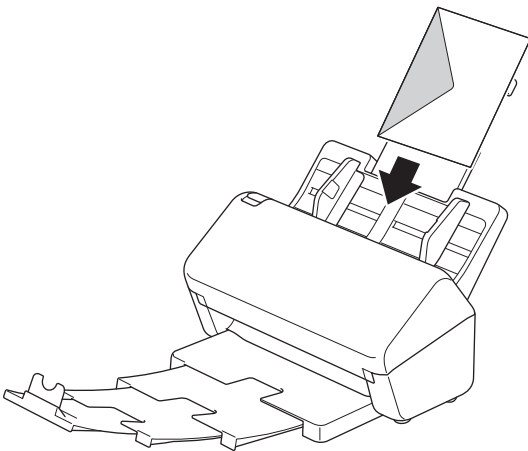


When the machine is in Manual Single Mode, Multifeed Detection is not available.

2. Gently adjust the Paper Guides (1) to fit the width of your envelope or transfer paper.



3. Place your envelope or transfer paper, *face down, top edge first* in the ADF between the Paper Guides until you feel it touch the inside of the machine.




### IMPORTANT

DO NOT slide the Document Separation Switch during scanning. Doing this may damage the machine.

---

## NOTE

When finished, slide the Document Separation Switch to the right and confirm that it is set to   
(Continuous Feed Mode).

---



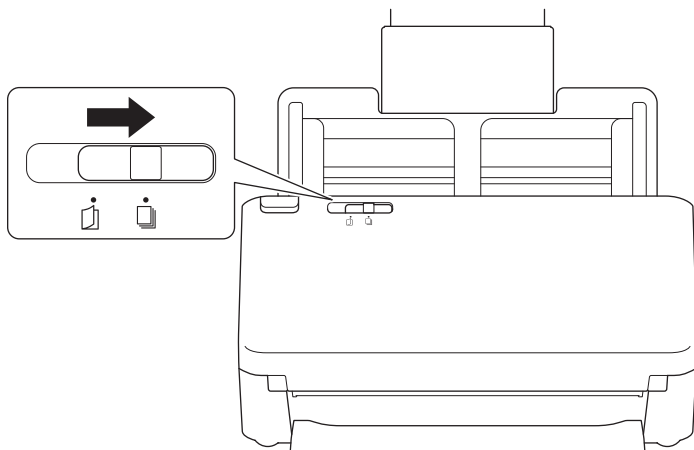
## Related Information

- [Load Documents](#)
-

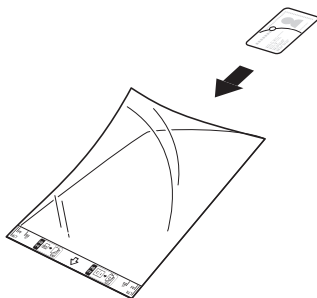
## Load Receipts, Clippings, Photos, and Other Documents

- Make sure documents with ink or correction fluid are completely dry.
- A Carrier Sheet is required when scanning documents of irregular size. The Carrier Sheet is not included with your machine and must be ordered separately.  
For more information, visit your local Brother website or contact your local Brother dealer.

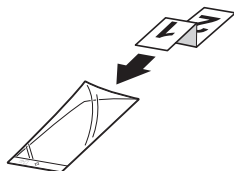
1. Make sure the Document Separation Switch is set to  (Continuous Feed Mode).



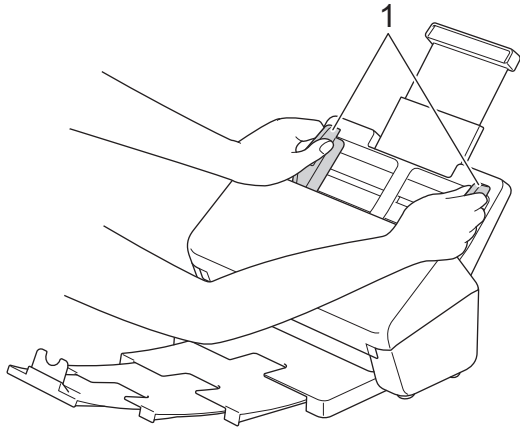
2. Insert the document into the optional Carrier Sheet.



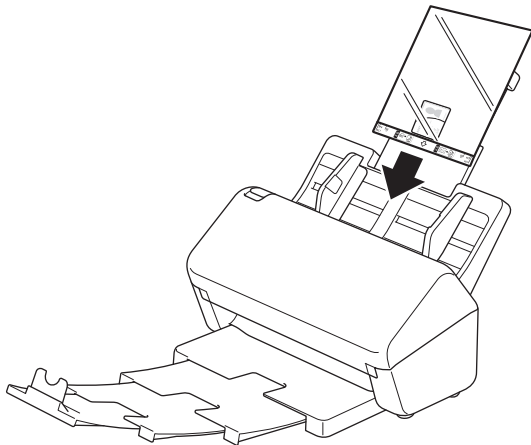
- Set the document in the centre of the Carrier Sheet and align the top edge of the document with the top edge of the Carrier Sheet.
- If the receipt is longer than the Carrier Sheet, you can fold the receipt in two places so that it overlaps when you insert it into the Carrier Sheet.



3. Adjust the Paper Guides (1) to fit the width of the Carrier Sheet.



4. Place the Carrier Sheet in the ADF between the Paper Guides until you feel it touch the inside of the machine.



### Related Information

- [Load Documents](#)

## Scan

- [Before Scanning](#)
- [Scan Using the Scan Functions on Your Brother Machine](#)
- [Scan from Your Computer \(Windows\)](#)
- [Scan from Your Computer \(Mac\)](#)
- [Configure Scan Settings Using Web Based Management](#)

## Before Scanning

To scan without using the machine's control panel, download and install one of the following mobile or computer applications:

Application	Features	Available Operating System (OS)			How to Access
		Windows	Mac	Mobile	
Brother iPrint&Scan	Allows you to perform basic scanning and use advanced scan workflows.	Yes	Yes	No	For Windows: Go to your model's <b>Downloads</b> page at <a href="http://support.brother.com">support.brother.com</a> . For Mac: Go to the App Store.
Nuance™ PaperPort™ 14SE <sup>1</sup>	Allows you to scan, share, search, and organise documents.	Yes	No	No	Go to your model's <b>Downloads</b> page at <a href="http://support.brother.com">support.brother.com</a> .
Brother ScanEssentials <sup>1</sup>	Makes your scanning tasks efficient and professional.	Yes	No	No	Go to your model's <b>Downloads</b> page at <a href="http://support.brother.com">support.brother.com</a> .
Kofax Power PDF™ Standard v3 <sup>1 2</sup>	Allows you to create, edit, and convert PDF files to other formats including Microsoft Word, Microsoft Excel, Microsoft PowerPoint, image files, and more.	Yes	No	No	Go to your model's <b>Downloads</b> page at <a href="http://support.brother.com">support.brother.com</a> .
Brother Mobile Connect	Allows you to scan photos and documents directly from your mobile device.	No	No	Yes	For Android devices: Go to Google Play™. For iOS devices: Go to the App Store.
<ul style="list-style-type: none"> <li>• Kofax VRS Elite™ certified</li> <li>• Kofax Express™ certified</li> </ul>					



### Related Information

- [Scan](#)

<sup>1</sup> TWAIN driver must be installed on your computer.

<sup>2</sup> If prompted to enter a Serial Number when starting the application, check the Serial Number label attached to the scanner.



## Scan Using the Scan Functions on Your Brother Machine

- [Save Scanned Documents on Your Computer](#)
- [Save Scanned Documents Using Scan to Workflow Function](#)
- [Save Scanned Documents to a USB Flash Drive](#)
- [Send Scanned Data to an Email Recipient](#)
- [Set Up the Address Book](#)
- [Scan to FTP](#)
- [Scan to SSH Server \(SFTP\)](#)
- [Scan to Network](#)
- [Scan to SharePoint](#)
- [Web Services for Scanning on Your Network \(Windows 7, Windows 8.1 and Windows 10\)](#)
- [Change Scan Settings Using Brother iPrint&Scan](#)
- [Restrict Scan Functions from External Devices](#)

## Save Scanned Documents on Your Computer


>> [ADS-4300N](#)

>> [ADS-4700W/ADS-4900W](#)

### ADS-4300N

Use Brother iPrint&Scan to change scan settings, such as resolution, file size or colour setting.

- Windows  
Go to your model's **Downloads** page at [support.brother.com](http://support.brother.com) to download the latest application.
- Mac  
Download and install Brother iPrint&Scan from the App Store.

1. Load your document.
2. Press  (Scan to PC) on the control panel.  
The machine starts scanning.

### ADS-4700W/ADS-4900W

1. Load your document.
2. Press [to PC].
3. If multiple computers are connected to the machine, press ▲ or ▼ to display the destination computer you want to save to, and press it.
4. To change the scan settings, press [Options].
5. Press [Scan Settings] > [Set at Device].
6. Select the scan settings you want to change.

Option	Description
2-sided Scan	When using 2-sided scanning, select 2-sided Scan: Long Edge so the layout of the data file's pages matches your original.
Colour Setting	Select the colour format for your document.
Resolution	Select the scan resolution for your document.
File Type	Select the file format for your document.
Document Size	Select your document size.
Skip Blank Page	When On is selected, blank pages are skipped.
Advanced Settings	Colour Tone Adjustment Adjust the brightness and contrast.



To save the settings as a shortcut, press [Save as Shortcut].

7. Press [Start].  
The machine starts scanning.

### ✓ Related Information

- [Scan Using the Scan Functions on Your Brother Machine](#)

---

**Related Topics:**

- [Change Scan Settings Using Brother iPrint&Scan](#)
-

## Save Scanned Documents Using Scan to Workflow Function

**Related Models:** ADS-4700W/ADS-4900W



It is necessary to set up the Scan to Workflow settings using Brother iPrint&Scan (for Windows and Mac) in advance.

1. Load your document.
2. Press [to Workflow].
3. Select the destination where you want to save your scanned documents. If multiple computers are connected to the machine, press ▲ or ▼ to display the destination computer you want to save to, and press it.
4. Select the workflow.
5. Press [Start].



- To save the settings as a shortcut, press [Save as Shortcut].

The machine starts scanning.



### Related Information

- [Scan Using the Scan Functions on Your Brother Machine](#)

## Save Scanned Documents to a USB Flash Drive

To avoid damaging the drive or the data stored on the USB flash drive, DO NOT remove it while the machine is scanning to it.


>> [ADS-4300N](#)

>> [ADS-4700W/ADS-4900W](#)

### ADS-4300N

1. Do one of the following:

- Windows

Launch  (**Brother Utilities**), and then click the drop-down list and select your model name (if not already selected). Click **Tools** in the left navigation bar, and then click **Remote Setup**.

- Mac

In the **Finder** menu bar, click **Go > Applications > Brother**, select your model name, and then double-click the **Brother Remote Setup** icon.

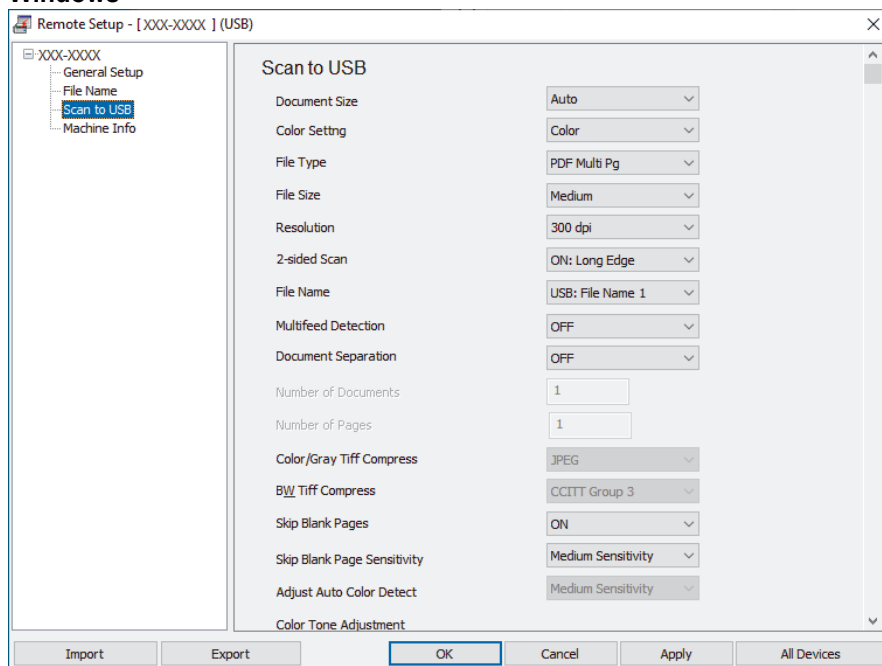
If the Discover Devices dialog box appears, select your model name and then click **Connect**.

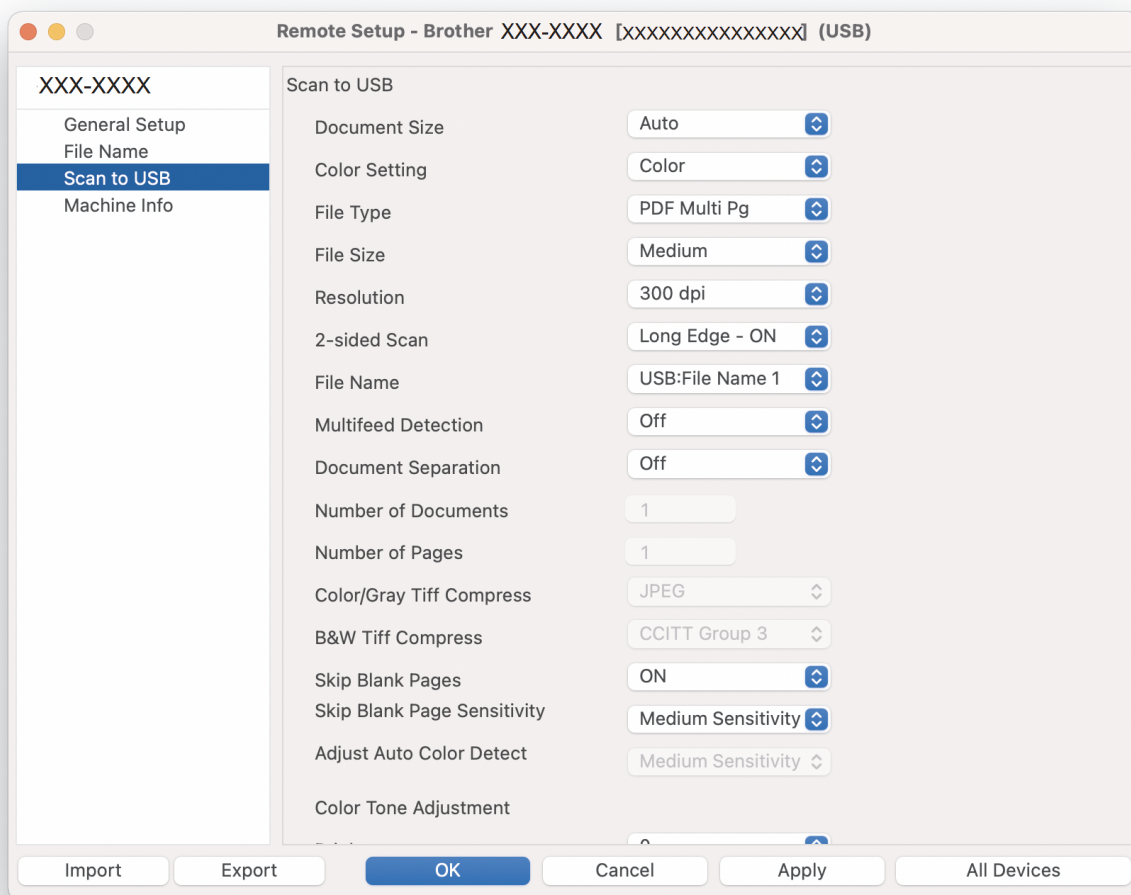


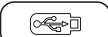
If your machine is connected via a network, we recommend using Web Based Management to configure your scan settings.

2. Select **Scan to USB** in the navigation pane, and then configure scan settings as needed.

#### Windows





3. Click **OK** to close the Remote Setup window.
4. Insert a USB flash drive into the machine.
5. Load your document.
6. Press  (Scan to USB) on the control panel.

The machine starts scanning, and then the scanned data is saved on the USB flash drive.

### ADS-4700W/ADS-4900W

1. Load your document.
2. Insert a USB flash drive into the machine.  
The Scan to USB screen appears automatically. If the Scan to USB screen does not appear, press the [Basic 2] tab in the Home screen, and then press [to USB].
3. To change the scan settings, press [Options]. Configure the following settings:

Option	Description
2-sided Scan	When using 2-sided scanning, select 2-sided Scan: Long Edge so the layout of the data file's pages matches your original.
Colour Setting	Select the colour format for your document.
Resolution	Select the scan resolution for your document.
File Type	Select the file format for your document.
Document Size	Select your document size.

Option	Description
File Name	Rename the file.
File Name Style	Select the order in which the date, counter number, and other items appear in the file names.
File Size	Select the file size for your document.
Skip Blank Page	When On is selected, blank pages are skipped.
Multifeed Detection	Detect a multifeed error.
Document Separation	Split a scanned image. When multiple documents have been scanned, you can split up and save documents separately by using this function. You can also set the number of pages to split a document by.
Colour/Grey TIFF Compress	Select the compression TIFF file type for a colour/grey document.
B&W TIFF Compress	Select the compression TIFF file type for a monochrome document.
Advanced Settings	<p>Continuous Scan Scan more pages than the maximum capacity of the ADF and save them as one data file. After scanning the first batch of documents, press Continue to scan additional pages. When finished scanning, press Complete.</p> <p>Colour Tone Adjustment Adjust the brightness and contrast.</p> <p>Adjust Auto Colour Detect When Colour Setting is set to Auto, you can adjust the detection level of colour.</p> <p>Skip Blank Page Sensitivity Select the sensitivity level for detecting blank pages in the scanned data. The higher the sensitivity, the easier it is for the machine to detect blank pages.</p> <p>Margin Settings Adjust the scanning position of documents if the output position of the images has shifted or if the images are squeezed together or stretched vertically.</p>
Set New Default	Save your settings as the default settings.
Factory Reset	Restore all settings back to the factory settings.



- To save the settings as a shortcut, press [Save as Shortcut].
- To select [Long Paper (Narrow)] or [Long Paper (Normal)] for [Document Size], use the following settings:
  - [2-sided Scan]: [Off]
  - [Colour Setting]: Other than [Auto] ([Colour], [Grey] or [Black and White])
  - [Resolution]: Lower than 300 dpi
  - [Skip Blank Page]: [Off]
- If signed PDF was selected from the [File Type] setting, you must configure the certificate settings using Web Based Management.

#### 4. Press [Start].

The machine starts scanning, and then the scanned data is saved on the USB flash drive.



---

## Related Information

---

- [Scan Using the Scan Functions on Your Brother Machine](#)

### **Related Topics:**

- [Access Web Based Management](#)
-



## Send Scanned Data to an Email Recipient

**Related Models:** ADS-4700W/ADS-4900W

Send scanned data directly from your machine to an email recipient without using a computer. This function allows your machine to scan documents and send them to an email address without your machine being connected to a computer. To send the scanned data as an attachment directly to your default email application using the iPrint&Scan software on your computer, there is the "Scan to Email Attachment" function available instead.

- To send scanned data to an email recipient, you must configure your machine to communicate with your network and email server, which is used to send and receive emails.
- You can configure these items from the Web Based Management.
- To use the Scan to Email Server function, your machine will need to be connected to a network and have access to an SMTP server. You will need the following SMTP email settings before you can proceed:
  - Server address
  - Port number
  - User name
  - Encryption type (SSL or TLS)
  - Email server certificate (if used)

If you do not know these settings, contact your email service provider or network administrator.

1. Load your document.
2. Press [to Email Server].




- If you registered your email address with your user ID, the [to My E-mail] option appears when you log on to the machine using Secure Function Lock, Active Directory Authentication, or LDAP Authentication.
- To send scanned data to your email address, press [to My E-mail]. When your email address appears on the LCD, press [OK].
- To enable this feature in Web Based Management, go to the navigation menu, and then click **Scan > Scan to E-mail Server**. In the **Send to My E-mail** field, select **On**.

3. Do one of the following to enter the destination email address:
  - To enter the email address manually, press [Manual], and then enter the email address using the keyboard on the LCD. When finished, press [OK].
  - If the email address is stored in the machine's address book, press [Address Book], and then select the email address.  
Press [OK].
4. Confirm the email address, and then press [Next].
5. To change the scan settings, press [Options]. Configure the following settings:

Option	Description
2-sided Scan	When using 2-sided scanning, select 2-sided Scan: Long Edge so the layout of the data file's pages matches your original.
Colour Setting	Select the colour format for your document.
Resolution	Select the scan resolution for your document.

Option	Description
Preview	Preview a scan result on the LCD, before the scanned data is saved.
File Type	Select the file format for your document.
Document Size	Select your document size.
File Name	Rename the file.
File Name Style	Select the order in which the date, counter number, and other items appear in the file names.
File Size	Select the file size for your document.
Skip Blank Page	When On is selected, blank pages are skipped.
Advanced Settings	Continuous Scan Scan more pages than the maximum capacity of the ADF and save them as one data file. After scanning the first batch of documents, press <b>Continue</b> to scan additional pages. When finished scanning, press <b>Complete</b> .
	Colour Tone Adjustment Adjust the brightness and contrast.
	Adjust Auto Colour Detect When Colour Setting is set to Auto, you can adjust the detection level of colour.
	Skip Blank Page Sensitivity Select the sensitivity level for detecting blank pages in the scanned data. The higher the sensitivity, the easier it is for the machine to detect blank pages.
	Margin Settings Adjust the scanning position of documents if the output position of the images has shifted or if the images are squeezed together or stretched vertically.
Set New Default	Save your settings as the default settings.
Factory Reset	Restore all settings back to the factory settings.



- To save the settings as a shortcut, press [Save as Shortcut].
- To preview the scanned results before the scanned data is saved, press  and then press [Preview]. The machine scans the document and displays the scanned results on the LCD. If the scanned results are fine, press [Start] to save it and to finish processing.
- The [Preview] option is not available if:
  - Document size is set to Long paper
  - Colour is set to Black and White
  - File Type is set to TIFF

#### 6. Press [Start].

The machine starts scanning.



### Related Information

- [Scan Using the Scan Functions on Your Brother Machine](#)
  - [Use TX Verification Mail](#)

## Use TX Verification Mail

**Related Models:** ADS-4700W/ADS-4900W

Use TX Verification Mail to request notification from the destination computer that your email was received and processed. Use Web Based Management to turn the verification feature on. When **Request Delivery Notification (Send)** is **On**, your email contains an additional field that is automatically populated with the email's arrival date and time.

1. Start your web browser.
2. Type "https://machine's IP address" in your browser's address bar (where "machine's IP address" is the machine's IP address).

For example:

https://192.168.1.2

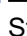
3. If required, type the password in the **Login** field, and then click **Login**.



The default password to manage this machine's settings is located on the back of the machine and marked "Pwd".

4. Go to the navigation menu, and then click **E-mail > E-mail Send**.



Start from , if the navigation menu is not shown on the left side of the screen.

5. In the **Request Delivery Notification (Send)** field, click **On**.
6. Click **Submit**.



- Message Disposition Notification (MDN)

This field requests the status of the email message after delivery through the Simple Mail Transfer Protocol (SMTP) transport system. After the recipient has received the message, this data is used when the machine or user reads the received email. For example, if the message is opened and read, the receiver sends back a notification to the original sending machine or user.

The recipient must activate the MDN field to be able to send a notification report; otherwise the request will be ignored.

- This Brother machine cannot receive email messages. To use the TX Verification feature, you must redirect the return notification to a different email address. Configure the email address using Web Based Management. Access Web Based Management, go to the navigation menu, and then click **E-mail > E-mail**, click **SMTP** and confirm **Device E-mail Address**. Enter the email address that you want to receive the notification.



### Related Information

- [Send Scanned Data to an Email Recipient](#)

#### Related Topics:

- [Access Web Based Management](#)

## Set Up the Address Book

**Related Models:** ADS-4700W/ADS-4900W

The Address Book feature lets you select an email address to send the scanned data directly.



### Related Information

- [Scan Using the Scan Functions on Your Brother Machine](#)
- [Register an Email Address Using Web Based Management](#)

## Register an Email Address Using Web Based Management

**Related Models:** ADS-4700W/ADS-4900W

You can register up to 300 email addresses and enter a name for each address.

1. Start your web browser.
2. Type "https://machine's IP address" in your browser's address bar (where "machine's IP address" is the machine's IP address).

For example:

https://192.168.1.2

3. If required, type the password in the **Login** field, and then click **Login**.



The default password to manage this machine's settings is located on the back of the machine and marked "Pwd".

4. Go to the navigation menu, and then click **Address Book**.



Start from ≡, if the navigation menu is not shown on the left side of the screen.

5. In the **E-mail Address** field, type an email address.
6. In the **Name** field, type a name.
7. Click **Submit**.



### Related Information

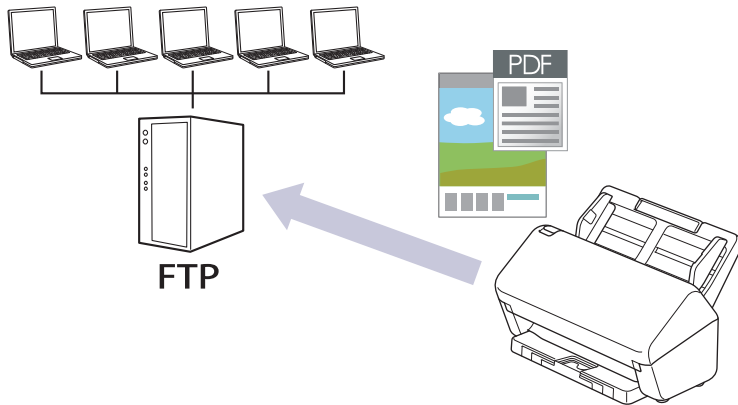
- [Set Up the Address Book](#)

### Related Topics:

- [Access Web Based Management](#)

## Scan to FTP

Scan documents directly to an FTP server when you need to share the scanned information. For added convenience, configure different profiles to save your favourite Scan to FTP destinations.



- [Set up a Scan to FTP Profile](#)
- [Upload Scanned Data to an FTP Server](#)

## Set up a Scan to FTP Profile

Set up a Scan to FTP Profile to scan and upload the scanned data directly to an FTP location.

We recommend Microsoft Internet Explorer 11.0 or later/Microsoft Edge for Windows, Safari 12.0 or later for Mac, Google Chrome™ for Android (4.x or later), and Google Chrome™/Safari for iOS (10.x or later). Make sure that JavaScript and Cookies are always enabled in whichever browser you use.

1. Start your web browser.
2. Type "https://machine's IP address" in your browser's address bar (where "machine's IP address" is the machine's IP address).

For example:

https://192.168.1.2

3. If required, type the password in the **Login** field, and then click **Login**.



The default password to manage this machine's settings is located on the back of the machine and marked "Pwd".

4. Go to the navigation menu, and then click **Scan > Scan to FTP/SFTP/Network** or **Scan to FTP/SFTP/Network/SharePoint**.



Start from ☰, if the navigation menu is not shown on the left side of the screen.

5. Select the **FTP** option, and then click **Submit**.
6. Click the **Scan to FTP/SFTP/Network Profile** or **Scan to FTP/SFTP/Network/SharePoint Profile** menu.
7. Select the profile you want to set up or change.



Using the following characters: ?, /, \, ", :, <, >, | or \* may cause a sending error.

Option	Description
<b>Profile Name</b>	Type a name for this server profile (up to 14 alphanumeric characters). The machine displays this name on the LCD.
<b>Host Address</b>	Type the Host Address (for example: ftp.example.com; up to 64 characters) or the IP address (for example: 192.23.56.189).
<b>Username</b>	Type a user name (up to 32 characters) that has permission to write data to the FTP server.
<b>Password</b>	Type the password (up to 33 characters) associated with the user name you entered in the <b>Username</b> field. Type the password again in the <b>Retype password</b> field.
<b>SSL/TLS</b>	Set the <b>SSL/TLS</b> option to scan securely using SSL/TLS communication. Change the <b>CA Certificate</b> setting, if needed.
<b>Store Directory</b>	Type the path (up to 255 characters) to the folder on the FTP server where you want to send your scanned data. Do not type a slash mark at the beginning of the path (for example: brother/abc).
<b>File Name</b>	Select a file name from the preset names provided, or from user-defined names. You can set the user-defined names and file name style in the <b>Scan File Name</b> menu in the navigation menu.
<b>Quality</b>	Select a quality setting. When <b>Auto</b> is selected, you can adjust the detection level of colour from the <b>Auto Color detect adjust</b> drop-down list.
<b>File Type</b>	Select the file type you want to use for the scanned document.

Option	Description
<b>Document Size</b>	Select your document size from the list. This is necessary to make sure the scanned file is the correct size.
<b>Margin Settings</b>	Adjust your document's margins.
<b>File Size</b>	Select your file size.
<b>Skip Blank Page</b>	Select the <b>On</b> option to remove blank pages of the document from the scanning results.
<b>Skip Blank Page Sensitivity</b>	Select the sensitivity level for detecting blank pages in the scanned data. The higher the sensitivity, the easier it is for the machine to detect blank pages.
<b>Multifeed Detection</b>	Detect a multifeed error.
<b>Document Separation</b>	Split a scanned image. When multiple documents have been scanned, you can split up and save documents separately by using this function. You can also set the number of pages to split a document by.
<b>Colour/Grey TIFF Compress</b>	Select the compression TIFF file type for a colour/grey document.
<b>B&amp;W TIFF Compress</b>	Select the compression TIFF file type for a monochrome document.
<b>Scan Preview</b> (ADS-4700W/ADS-4900W)	Preview the scanned results before the scanned data is saved.
<b>2-sided Scan</b>	Select <b>On</b> to scan both sides of the document.
<b>Brightness</b>	Select the brightness level.
<b>Contrast</b>	Select the contrast level.
<b>Continuous Scan</b>	Scan more pages than the maximum capacity of the ADF and save them as one data file.
<b>Passive Mode</b>	Set the <b>Passive Mode</b> option to off or on depending on your FTP server and network firewall configuration. The default setting is on. In most cases this setting does not need to be changed.
<b>Port Number</b>	Change the <b>Port Number</b> setting used to access the FTP server. The default for this setting is port 21. In most cases this setting does not need to be changed.

8. Click **Submit**.



## Related Information

- [Scan to FTP](#)

### Related Topics:

- [Access Web Based Management](#)






## Upload Scanned Data to an FTP Server

>> [ADS-4300N](#)

>> [ADS-4700W/ADS-4900W](#)


### ADS-4300N

1. Load your document.
2. Press , , or  to which you have assigned the Scan to FTP feature.  
The machine starts scanning.

### ADS-4700W/ADS-4900W

1. Load your document.
2. Press [to FTP/SFTP].
3. The server profiles you have set up using Web Based Management are listed. Select the profile you want. If the profile is not complete (for example, if the logon account name and password are missing, or if the quality or file type is not specified), you will be prompted to enter any missing information.



- To preview the scanned results before the scanned data is saved, press  and then press [Preview]. The machine scans the document and displays the scanned results on the LCD. If the scanned results are fine, press [Start] to save it and to finish processing.
- The [Preview] option is not available if:
  - Document size is set to Long paper
  - Colour is set to Black and White
  - File Type is set to TIFF

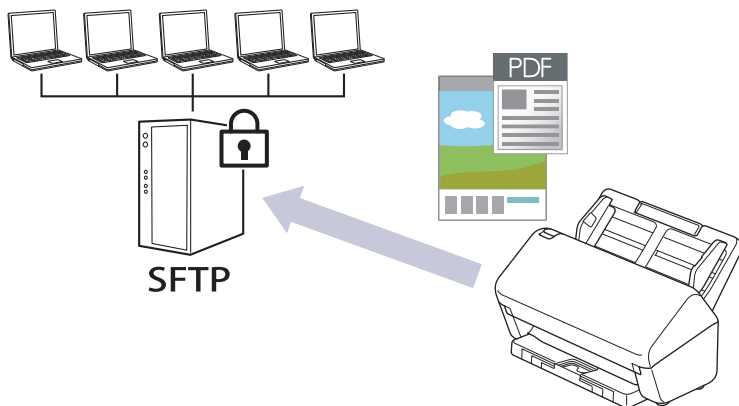
4. Press [Start].  
The machine starts scanning.

### Related Information

- [Scan to FTP](#)

## Scan to SSH Server (SFTP)

Uses the Secure Shell Protocol to establish a private and safe data stream when scanning documents to a network destination. For added convenience, configure different profiles to save your favourite Scan to SFTP destinations.



- [Set up a Scan to SFTP Profile](#)
- [Create a Client Key Pair Using Web Based Management](#)
- [Export a Client Key Pair Using Web Based Management](#)
- [Import a Server Public Key Using Web Based Management](#)
- [Upload Scanned Data to an SFTP Server](#)

## Set up a Scan to SFTP Profile

Set up a Scan to SFTP Profile to scan and upload scanned data directly to an SFTP location.

We recommend Microsoft Internet Explorer 11.0 or later/Microsoft Edge for Windows, Safari 12.0 or later for Mac, Google Chrome™ for Android (4.x or later), and Google Chrome™/Safari for iOS (10.x or later). Make sure that JavaScript and Cookies are always enabled in whichever browser you use.

1. Start your web browser.
2. Type "https://machine's IP address" in your browser's address bar (where "machine's IP address" is the machine's IP address).

For example:

https://192.168.1.2

3. If required, type the password in the **Login** field, and then click **Login**.



The default password to manage this machine's settings is located on the back of the machine and marked "Pwd".

4. Go to the navigation menu, and then click **Scan > Scan to FTP/SFTP/Network** or **Scan to FTP/SFTP/Network/SharePoint**.



Start from ☰, if the navigation menu is not shown on the left side of the screen.

5. Select the **SFTP** option, and then click **Submit**.
6. Click the **Scan to FTP/SFTP/Network Profile** or **Scan to FTP/SFTP/Network/SharePoint Profile** menu.
7. Select the profile you want to set up or change.



Using the following characters: ?, /, \, ", :, <, >, | or \* may cause a sending error.

Option	Description
<b>Profile Name</b>	Type a name for this server profile (up to 14 alphanumeric characters). The machine displays this name on the LCD.
<b>Host Address</b>	Type the Host Address (for example: ftp.example.com; up to 64 characters) or the IP address (for example: 192.23.56.189).
<b>Username</b>	Type a user name (up to 32 characters) that has permission to write data to the SFTP server.
<b>Auth. Method</b>	Select <b>Password</b> or <b>Public Key</b> . Do one of the following: <ul style="list-style-type: none"><li>• When you select <b>Password</b>, type the password (up to 33 characters) associated with the user name you typed in the <b>Username</b> field. Type the password again in the <b>Retype password</b> field.</li><li>• When you select <b>Public Key</b>, select the authentication type from the <b>Client Key Pair</b> drop-down list.</li></ul>
<b>Server Public Key</b>	Select the authentication type.
<b>Store Directory</b>	Type the path (up to 255 characters) to the folder on the SFTP server where you want to send your scanned data. Do not type a slash mark at the beginning of the path (for example: brother/abc).
<b>File Name</b>	Select a file name from the preset names provided, or from user-defined names. You can set the user-defined names and file name style in the <b>Scan File Name</b> menu in the navigation menu.

Option	Description
<b>Quality</b>	Select a quality setting. When <b>Auto</b> is selected, you can adjust the detection level of colour from the <b>Auto Color detect adjust</b> drop-down list.
<b>File Type</b>	Select the file type you want to use for the scanned document.
<b>Document Size</b>	Select your document size from the list. This is necessary to make sure the scanned file is the correct size.
<b>Margin Settings</b>	Adjust your document's margins.
<b>File Size</b>	Select your file size.
<b>Skip Blank Page</b>	Select the <b>On</b> option to remove blank pages of the document from the scanning results.
<b>Skip Blank Page Sensitivity</b>	Select the sensitivity level for detecting blank pages in the scanned data. The higher the sensitivity, the easier it is for the machine to detect blank pages.
<b>Multifeed Detection</b>	Detect a multifeed error.
<b>Document Separation</b>	Split a scanned image. When multiple documents have been scanned, you can split up and save documents separately by using this function. You can also set the number of pages to split a document by.
<b>Colour/Grey TIFF Compress</b>	Select the compression TIFF file type for a colour/grey document.
<b>B&amp;W TIFF Compress</b>	Select the compression TIFF file type for a monochrome document.
<b>Scan Preview</b> (ADS-4700W/ADS-4900W)	Preview the scanned results before the scanned data is saved.
<b>2-sided Scan</b>	Select <b>On</b> to scan both sides of the document.
<b>Brightness</b>	Select the brightness level.
<b>Contrast</b>	Select the contrast level.
<b>Continuous Scan</b>	Scan more pages than the maximum capacity of the ADF and save them as one data file.
<b>Port Number</b>	Change the <b>Port Number</b> setting used to access the SFTP server. The default for this setting is port 22. In most cases this setting does not need to be changed.

8. Click **Submit**.



## Related Information

- [Scan to SSH Server \(SFTP\)](#)

### Related Topics:

- [Access Web Based Management](#)

## Create a Client Key Pair Using Web Based Management

1. Start your web browser.
2. Type "https://machine's IP address" in your browser's address bar (where "machine's IP address" is the machine's IP address).

For example:

https://192.168.1.2

3. If required, type the password in the **Login** field, and then click **Login**.



The default password to manage this machine's settings is located on the back of the machine and marked "Pwd".

4. Go to the navigation menu, and then click **Network > Security > Client Key Pair**.



Start from ☰, if the navigation menu is not shown on the left side of the screen.

5. Click **Create New Client Key Pair**.
6. In the **Client Key Pair Name** field, type the name (up to 20 characters) you want.
7. Click the **Public Key Algorithm** drop-down list, and then select the algorithm you want.
8. Click **Submit**.

The client key pair is created and saved in your machine's memory. The client key pair name and public key algorithm will be displayed in the **Client Key Pair List**.



### Related Information

- [Scan to SSH Server \(SFTP\)](#)

#### Related Topics:

- [Access Web Based Management](#)

## Export a Client Key Pair Using Web Based Management

1. Start your web browser.
2. Type "https://machine's IP address" in your browser's address bar (where "machine's IP address" is the machine's IP address).

For example:

https://192.168.1.2

3. If required, type the password in the **Login** field, and then click **Login**.



The default password to manage this machine's settings is located on the back of the machine and marked "Pwd".

4. Go to the navigation menu, and then click **Network > Security > Client Key Pair**.



Start from ☰, if the navigation menu is not shown on the left side of the screen.

5. Click **Export Public Key** shown with **Client Key Pair List**.
6. Click **Submit**.
7. Specify the location where you want to save the file.

The client key pair is exported to your computer.



### Related Information

- [Scan to SSH Server \(SFTP\)](#)

#### Related Topics:

- [Access Web Based Management](#)

## Import a Server Public Key Using Web Based Management

1. Start your web browser.
2. Type "https://machine's IP address" in your browser's address bar (where "machine's IP address" is the machine's IP address).

For example:

https://192.168.1.2

3. If required, type the password in the **Login** field, and then click **Login**.



The default password to manage this machine's settings is located on the back of the machine and marked "Pwd".

4. Go to the navigation menu, and then click **Network > Security > Server Public Key**.



Start from ☰, if the navigation menu is not shown on the left side of the screen.

5. Click **Import Server Public Key**.
6. Specify the file that you want to import.
7. Click **Submit**.

The server public key is imported to your machine.



### Related Information

- [Scan to SSH Server \(SFTP\)](#)

#### Related Topics:


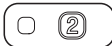

- [Access Web Based Management](#)

## Upload Scanned Data to an SFTP Server

>> [ADS-4300N](#)

>> [ADS-4700W/ADS-4900W](#)

### ADS-4300N


1. Load your document.
2. Press , , or  to which you have assigned the Scan to SFTP feature.

The machine starts scanning.

### ADS-4700W/ADS-4900W

1. Load your document.
2. Press [to FTP/SFTP].
3. The server profiles you have set up using Web Based Management are listed. Select the profile you want. If the profile is not complete (for example, if the logon account name and password are missing, or if the quality or file type is not specified), you will be prompted to enter any missing information.



- To preview the scanned results before the scanned data is saved, press  and then press [Preview]. The machine scans the document and displays the scanned results on the LCD. If the scanned results are fine, press [Start] to save it and to finish processing.
- The [Preview] option is not available if:
  - Document size is set to Long paper
  - Colour is set to Black and White
  - File Type is set to TIFF

4. Press [Start].

The machine starts scanning.

### ✓ Related Information

- [Scan to SSH Server \(SFTP\)](#)



## Scan to Network

Scan documents directly to a CIFS server on your local network. For added convenience, you can configure different profiles to save your favourite Scan to Network destinations.

- [Set up a Scan to Network Profile](#)
- [Upload Scanned Data to a CIFS Server](#)

## Set up a Scan to Network Profile

Set up a Scan to Network Profile to scan and upload scanned data directly to a folder on a CIFS server.

We recommend Microsoft Internet Explorer 11.0 or later/Microsoft Edge for Windows, Safari 12.0 or later for Mac, Google Chrome™ for Android (4.x or later), and Google Chrome™/Safari for iOS (10.x or later). Make sure that JavaScript and Cookies are always enabled in whichever browser you use.

1. Start your web browser.
2. Type "https://machine's IP address" in your browser's address bar (where "machine's IP address" is the machine's IP address).

For example:

https://192.168.1.2

3. If required, type the password in the **Login** field, and then click **Login**.



The default password to manage this machine's settings is located on the back of the machine and marked "Pwd".

4. Go to the navigation menu, and then click **Scan > Scan to FTP/SFTP/Network** or **Scan to FTP/SFTP/Network/SharePoint**.



Start from ☰, if the navigation menu is not shown on the left side of the screen.

5. Select the **Network** option, and then click **Submit**.



(ADS-4700W/ADS-4900W) If you want to send the data to your designated folder on the CIFS server, select **On** for the **Send to My Folder** option.

6. Click the **Scan to FTP/SFTP/Network Profile** or **Scan to FTP/SFTP/Network/SharePoint Profile** menu.
7. Select the profile you want to set up or change.



Using the following characters: ?, /, \, ", :, <, >, | or \* may cause a sending error.

Option	Description
<b>Profile Name</b>	Type a name for this server profile (up to 14 alphanumeric characters). The machine displays this name on the LCD.
<b>Network Folder Path</b>	Type the path to the folder on the CIFS server where you want to send your scanned data.
<b>File Name</b>	Select a file name from the preset names provided, or from user-defined names. You can set the user-defined names and file name style in the <b>Scan File Name</b> menu in the navigation menu.
<b>Quality</b>	Select a quality setting. When <b>Auto</b> is selected, you can adjust the detection level of colour from the <b>Auto Color detect adjust</b> drop-down list.
<b>File Type</b>	Select the file type you want to use for the scanned document.
<b>Document Size</b>	Select your document size from the list. This is necessary to make sure the scanned file is the correct size.
<b>Margin Settings</b>	Adjust your document's margins.
<b>File Size</b>	Select your file size.
<b>Skip Blank Page</b>	Select the <b>On</b> option to remove blank pages of the document from the scanning results.

Option	Description
<b>Skip Blank Page Sensitivity</b>	Select the sensitivity level for detecting blank pages in the scanned data. The higher the sensitivity, the easier it is for the machine to detect blank pages.
<b>Multifeed Detection</b>	Detect a multifeed error.
<b>Document Separation</b>	Split a scanned image. When multiple documents have been scanned, you can split up and save documents separately by using this function. You can also set the number of pages to split a document by.
<b>Colour/Grey TIFF Compress</b>	Select the compression TIFF file type for a colour/grey document.
<b>B&amp;W TIFF Compress</b>	Select the compression TIFF file type for a monochrome document.
<b>Scan Preview</b> (ADS-4700W/ADS-4900W)	Preview the scanned results before the scanned data is saved.
<b>2-sided Scan</b>	Select <b>On</b> to scan both sides of the document.
<b>Brightness</b>	Select the brightness level.
<b>Contrast</b>	Select the contrast level.
<b>Continuous Scan</b>	Scan more pages than the maximum capacity of the ADF and save them as one data file.
<b>Auth. Method</b>	You can use <b>NTLMv2</b> only.
<b>Username</b>	Type a user name (up to 96 characters) that has permission to write data to the folder specified in the <b>Network Folder Path</b> field. If the user name is part of a domain, type the user name in one of the following styles: <b>user@domain</b> <b>domain\user</b>
<b>Password</b>	Type the password (up to 33 characters) associated with the user name you entered in the <b>Username</b> field. Type the password again in the <b>Retype password</b> field.

8. Click **Submit**.
9. You must configure the SNTP (network time server) or you must set the date, time and time zone correctly on the control panel. The time must match the time used by the CIFS Server.



## Related Information

- [Scan to Network](#)

### Related Topics:




- [Access Web Based Management](#)

## Upload Scanned Data to a CIFS Server

>> [ADS-4300N](#)

>> [ADS-4700W/ADS-4900W](#)

### ADS-4300N

1. Load your document.
2. Press , , or  to which you have assigned the Network Scan feature.  
The machine starts scanning.

### ADS-4700W/ADS-4900W


1. Load your document.
2. Press [to Network].



- If you registered your user ID, the [to My Folder] option appears when you log on to the machine using Active Directory Authentication or LDAP Authentication.
- To send scanned data to your designated folder on the CIFS server, press [to My Folder].
- To enable this feature in Web Based Management, go to the navigation menu, and then click **Scan > Scan to FTP/SFTP/Network/SharePoint**. In the **Send to My Folder** field, select **On**.

3. The server profiles you have set up using Web Based Management are listed. Select the profile you want. If the profile is not complete (for example, if the logon account name and password are missing, or if the quality or file type is not specified), you will be prompted to enter any missing information.



- To preview the scanned results before the scanned data is saved, press  and then press [Preview]. The machine scans the document and displays the scanned results on the LCD. If the scanned results are fine, press [Start] to save it and to finish processing.
- The [Preview] option is not available if:
  - Document size is set to Long paper
  - Colour is set to Black and White
  - File Type is set to TIFF

4. Press [Start].  
The machine starts scanning.

### Related Information

- [Scan to Network](#)

#### Related Topics:

- [Access Web Based Management](#)

## Scan to SharePoint

**Related Models:** ADS-4700W/ADS-4900W

Scan documents directly to a SharePoint server when you need to share the scanned information. For added convenience, configure different profiles to save your favourite Scan to SharePoint destinations.

- [Set up a Scan to SharePoint Profile](#)
- [Upload Scanned Data to a SharePoint Server](#)

## Set up a Scan to SharePoint Profile

**Related Models:** ADS-4700W/ADS-4900W

Set up a Scan to SharePoint Profile to scan and upload the scanned data directly to a SharePoint location.

We recommend Microsoft Internet Explorer 11.0 or later/Microsoft Edge for Windows, Safari 12.0 or later for Mac, Google Chrome™ for Android (4.x or later), and Google Chrome™/Safari for iOS (10.x or later). Make sure that JavaScript and Cookies are always enabled in whichever browser you use.

1. Start your web browser.
2. Type "https://machine's IP address" in your browser's address bar (where "machine's IP address" is the machine's IP address).

For example:

https://192.168.1.2

3. If required, type the password in the **Login** field, and then click **Login**.



The default password to manage this machine's settings is located on the back of the machine and marked "Pwd".

4. Go to the navigation menu, and then click **Scan > Scan to FTP/SFTP/Network/SharePoint**.



Start from ☰, if the navigation menu is not shown on the left side of the screen.

5. Select the **SharePoint** option, and then click **Submit**.
6. Click the **Scan to FTP/SFTP/Network/SharePoint Profile** menu.
7. Select the profile you want to set up or change.



Using the following characters: ?, /, \, ", :, <, >, | or \* may cause a sending error.

Option	Description
<b>Profile Name</b>	Type a name for this server profile (up to 14 alphanumeric characters). The machine displays this name on the LCD.
<b>SharePoint Site Address</b>	Copy and paste the full destination address shown in the address bar of your browser (for example: http://SharePointSiteAddress/Shared%20Documents/Forms/AllItems.aspx) or the IP address (for example: http://192.168.0.1/Shared%20Documents/Forms/AllItems.aspx).
<b>File Name</b>	Select a file name from the preset names provided, or from user-defined names. You can set the user-defined names and file name style in the <b>Scan File Name</b> menu in the navigation menu.
<b>Quality</b>	Select a quality setting. When <b>Auto</b> is selected, you can adjust the detection level of colour from the <b>Auto Color detect adjust</b> drop-down list.
<b>File Type</b>	Select the file type you want to use for the scanned document.
<b>Document Size</b>	Select your document size from the list. This is necessary to make sure the scanned file is the correct size.
<b>Margin Settings</b>	Adjust your document's margins.
<b>File Size</b>	Select your file size.
<b>Skip Blank Page</b>	Select the <b>On</b> option to remove blank pages of the document from the scanning results.

Option	Description
<b>Skip Blank Page Sensitivity</b>	Select the sensitivity level for detecting blank pages in the scanned data. The higher the sensitivity, the easier it is for the machine to detect blank pages.
<b>Multifeed Detection</b>	Detect a multifeed error.
<b>Document Separation</b>	Split a scanned image. When multiple documents have been scanned, you can split up and save documents separately by using this function. You can also set the number of pages to split a document by.
<b>Colour/Grey TIFF Compress</b>	Select the compression TIFF file type for a colour/grey document.
<b>B&amp;W TIFF Compress</b>	Select the compression TIFF file type for a monochrome document.
<b>Scan Preview</b>	Preview the scanned results before the scanned data is saved.
<b>2-sided Scan</b>	Select <b>On</b> to scan both sides of the document.
<b>Brightness</b>	Select the brightness level.
<b>Contrast</b>	Select the contrast level.
<b>Continuous Scan</b>	Scan more pages than the maximum capacity of the ADF and save them as one data file.
<b>Auth. Method</b>	Select the authentication method. If you select <b>Auto</b> , the authentication method will be automatically detected.
<b>Username</b>	Type a user name (up to 96 characters) that has permission to write data to the folder specified in the <b>SharePoint Site Address</b> field. If the user name is part of a domain, type the user name in one of the following styles: <b>user@domain</b> <b>domain\user</b>
<b>Password</b>	Type the password (up to 33 characters) associated with the user name you entered in the <b>Username</b> field. Type the password again in the <b>Retype password</b> field.
<b>Kerberos Server Address</b>	Type the Kerberos Server Address (for example: kerberos.example.com; up to 64 characters).

8. Click **Submit**.



## Related Information

- [Scan to SharePoint](#)

### Related Topics:


- [Access Web Based Management](#)

## Upload Scanned Data to a SharePoint Server

**Related Models:** ADS-4700W/ADS-4900W

1. Load your document.
2. Press [to SharePoint].
3. The server profiles you have set up using Web Based Management are listed. Select the profile you want. If the profile is not complete (for example, if the logon account name and password are missing, or if the quality or file type is not specified), you will be prompted to enter any missing information.



- To preview the scanned results before the scanned data is saved, press  and then press [Preview]. The machine scans the document and displays the scanned results on the LCD. If the scanned results are fine, press [Start] to save it and to finish processing.
- The [Preview] option is not available if:
  - Document size is set to Long paper
  - Colour is set to Black and White
  - File Type is set to TIFF

4. Press [Start].  
The machine starts scanning.



### Related Information

- [Scan to SharePoint](#)



## Web Services for Scanning on Your Network (Windows 7, Windows 8.1 and Windows 10)

The Web Services protocol enables Windows 7, Windows 8.1 and Windows 10 users to scan using a Brother machine on the network. You must install the driver via Web Services.

- [Use Web Services to Install Drivers Used for Scanning \(Windows 7, Windows 8.1 and Windows 10\)](#)
- [Scan Using Web Services from the Brother Machine \(Windows 7, Windows 8.1 and Windows 10\)](#)
- [Configure Scan Settings for Web Services \(Windows\)](#)


## Use Web Services to Install Drivers Used for Scanning (Windows 7, Windows 8.1 and Windows 10)

Use Web Services to monitor scanners on the network.

- Make sure you have installed the Brother software and drivers.
- Verify that the host computer and the Brother machine are on the same subnet, or that the router is correctly configured to pass data between the two devices.
- You must configure the IP address on your Brother machine before you configure this setting.

1. Do one of the following:

- Windows 10

Click  > **Windows System** > **Control Panel**. In the **Hardware and Sound** group, click **Add a device**.

- Windows 8.1

Move your mouse to the lower-right corner of your desktop. When the menu bar appears, click **Settings** > **Change PC settings** > **PC and devices** > **Devices** > **Add a device**.

The machine's Web Services Name appears.

- Windows 7

Click  (**Start**) > **Control Panel** > **Network and Internet** > **View network computers and devices**.

The machine's Web Services Name appears with the scanner icon.

Right-click the machine you want to install.



The Web Services Name for the Brother machine is your model name and the MAC Address (Ethernet Address) of your machine (for example, Brother XXX-XXXXX (model name) [XXXXXXXXXXXX] (MAC Address / Ethernet Address)).

2. Do one of the following:

- Windows 8.1/Windows 10

Select the machine you want to install, and then follow the on-screen instructions.

- Windows 7

Click **Install** in the displayed menu.



To uninstall drivers, click **Uninstall** or  (**Remove device**).



### Related Information

- [Web Services for Scanning on Your Network \(Windows 7, Windows 8.1 and Windows 10\)](#)

## Scan Using Web Services from the Brother Machine (Windows 7, Windows 8.1 and Windows 10)

>> [ADS-4300N](#)

>> [ADS-4700W/ADS-4900W](#)

### ADS-4300N

If you have installed the driver for scanning via Web Services, the menu that allows you to use Web Services for scanning appears in the **Destination** field when you click **Scan to Network Device** in the Web Based Management.

1. Load your document.
2. Press  ①,  ②, or  ③ to which you have assigned the Web Service Scan feature.  
The machine starts scanning.

### ADS-4700W/ADS-4900W

If you have installed the driver for scanning via Web Services, you can access the Web Services scanning menu on your Brother machine's LCD.

Certain characters in the messages displayed on the LCD may be replaced with spaces if the language settings of your OS and your Brother machine are different.

1. Load your document.
2. Press [WS Scan].
3. Press the type of scan you want to perform.
4. Press ▲ or ▼ to display the computer name where you want to send the data, and then press the computer name.
5. Press [Start].  
The machine starts scanning.




### Related Information

- [Web Services for Scanning on Your Network \(Windows 7, Windows 8.1 and Windows 10\)](#)

## Configure Scan Settings for Web Services (Windows)

1. Do one of the following:

- Windows 10

Click  > **Windows System** > **Control Panel**. In the **Hardware and Sound** group, click **View devices and printers**.

- Windows 8.1

Move your mouse to the lower-right corner of your desktop. When the menu bar appears, click **Settings**, and then click **Control Panel**. In the **Hardware and Sound** group, click **View devices and printers**.

- Windows 7

Click  (**Start**) > **Devices and Printers**.

2. Right-click the machine icon, and then select **Scan profiles....**

The **Scan Profiles** dialog box appears.

3. Select the scan profile you want to use.

4. Make sure the scanner selected in the **Scanner** list is a Brother machine that supports Web Services for scanning, and then click the **Set as Default** button.

5. Click **Edit....**

The **Edit Default Profile** dialog box appears.

6. Select the **Source**, **Paper size**, **Color format**, **File type**, **Resolution (DPI)**, **Brightness** and **Contrast** settings.

7. Click the **Save Profile** button.

These settings will be applied when you scan using the Web Services protocol.

If you are prompted to select a scanning application, select Windows Fax and Scan from the list.



### Related Information

- [Web Services for Scanning on Your Network \(Windows 7, Windows 8.1 and Windows 10\)](#)

## Change Scan Settings Using Brother iPrint&Scan

Brother iPrint&Scan allows you to change the machine's Scan Button settings.

1. Start Brother iPrint&Scan.

- Windows

Launch  (**Brother iPrint&Scan**).

- Mac

In the **Finder** menu bar, click **Go > Applications**, and then double-click the iPrint&Scan icon.

The Brother iPrint&Scan screen appears.

2. If your Brother machine is not selected, click the **Select your Machine** button, and then select your model name from the list. Click **OK**.
3. Click the **Machine Scan Settings** button, and then follow the on-screen instructions to change the scan settings, such as document size, colour, and resolution.



### Related Information

- [Scan Using the Scan Functions on Your Brother Machine](#)

## Restrict Scan Functions from External Devices

This feature allows you to restrict scan functions from external devices.

We recommend Microsoft Internet Explorer 11.0 or later/Microsoft Edge for Windows, Safari 12.0 or later for Mac, Google Chrome™ for Android (4.x or later), and Google Chrome™/Safari for iOS (10.x or later). Make sure that JavaScript and Cookies are always enabled in whichever browser you use.

1. Start your web browser.
2. Type "https://machine's IP address" in your browser's address bar (where "machine's IP address" is the machine's IP address).

For example:

https://192.168.1.2

3. If required, type the password in the **Login** field, and then click **Login**.



The default password to manage this machine's settings is located on the back of the machine and marked "Pwd".

4. Go to the navigation menu, and then click **Scan > Scan from PC**.



Start from ☰, if the navigation menu is not shown on the left side of the screen.

5. Disable the **Pull Scan** option.
6. Click **Submit**.



### Related Information

- [Scan Using the Scan Functions on Your Brother Machine](#)

#### Related Topics:

- [Access Web Based Management](#)


## Scan from Your Computer (Windows)

There are several ways you can use your computer to scan documents on your Brother machine. Use the software applications provided by Brother, or use your favourite scanning application.

- [Scan Using Nuance™ PaperPort™ 14SE or Other Windows Applications](#)
- [Scan Using Windows Fax and Scan](#)
- [Scan Using Brother iPrint&Scan \(Windows\)](#)




## Scan Using Nuance™ PaperPort™ 14SE or Other Windows Applications

You can use the Nuance™ PaperPort™ 14SE application for scanning.

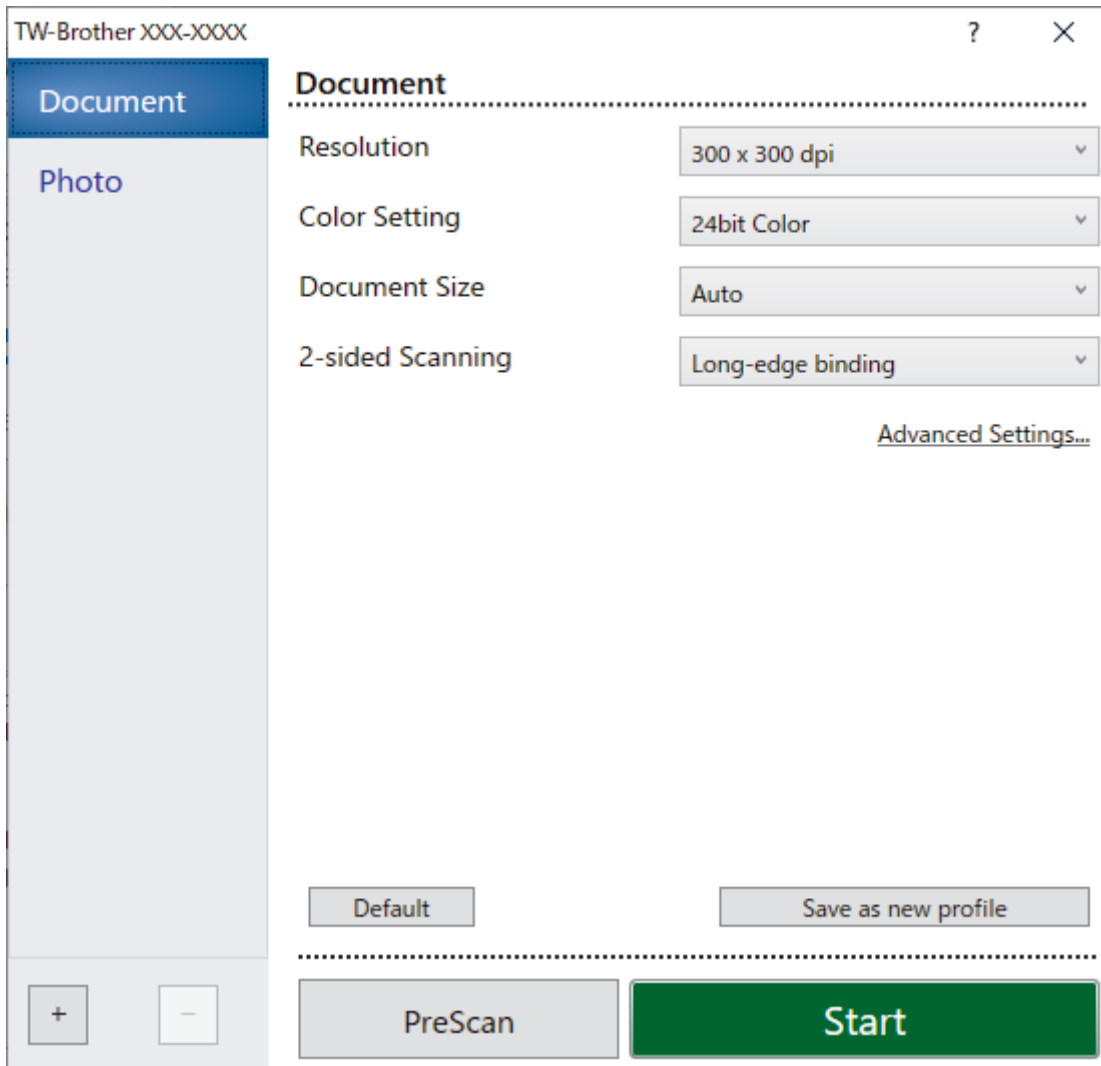
- To download the Nuance™ PaperPort™ 14SE application, click  (**Brother Utilities**), select **Do More** in the left navigation bar, and then click **PaperPort**.
- For detailed instructions on using each application, click the application's **Help** menu, and then click **Getting Started Guide** in the **Help** ribbon.



The instructions for scanning in these steps are for Nuance™ PaperPort™ 14SE. For other Windows applications, the steps will be similar. Nuance™ PaperPort™ 14SE supports both TWAIN and WIA drivers; the TWAIN driver (recommended) is used in these steps.

1. Load your document.
2. Start Nuance™ PaperPort™ 14. Do one of the following:
  - Windows 10  
Click  > **Nuance PaperPort 14** > **PaperPort**.
  - Windows 8.1  
Click  (**PaperPort**).
  - Windows 7  
Click  (**Start**) > **All Programs** > **Nuance PaperPort 14** > **PaperPort**.
3. Click the **Desktop** menu, and then click **Scan Settings** in the **Desktop** ribbon.  
The **Scan or Get Photo** panel appears on the left side of the screen.
4. Click **Select**.
5. From the available Scanners list, select **TWAIN: TW-Brother ADS-XXXXX** or **TWAIN: TW-Brother ADS-XXXXX LAN** (where XXXXX is the model name of your machine). To use the WIA driver, select the Brother driver that has "WIA" as the prefix.
6. Click **OK**.
7. Select the **Display scanner dialog box** check box in the **Scan or Get Photo** panel.
8. Click **Scan**.  
The Scanner Setup dialog box appears.





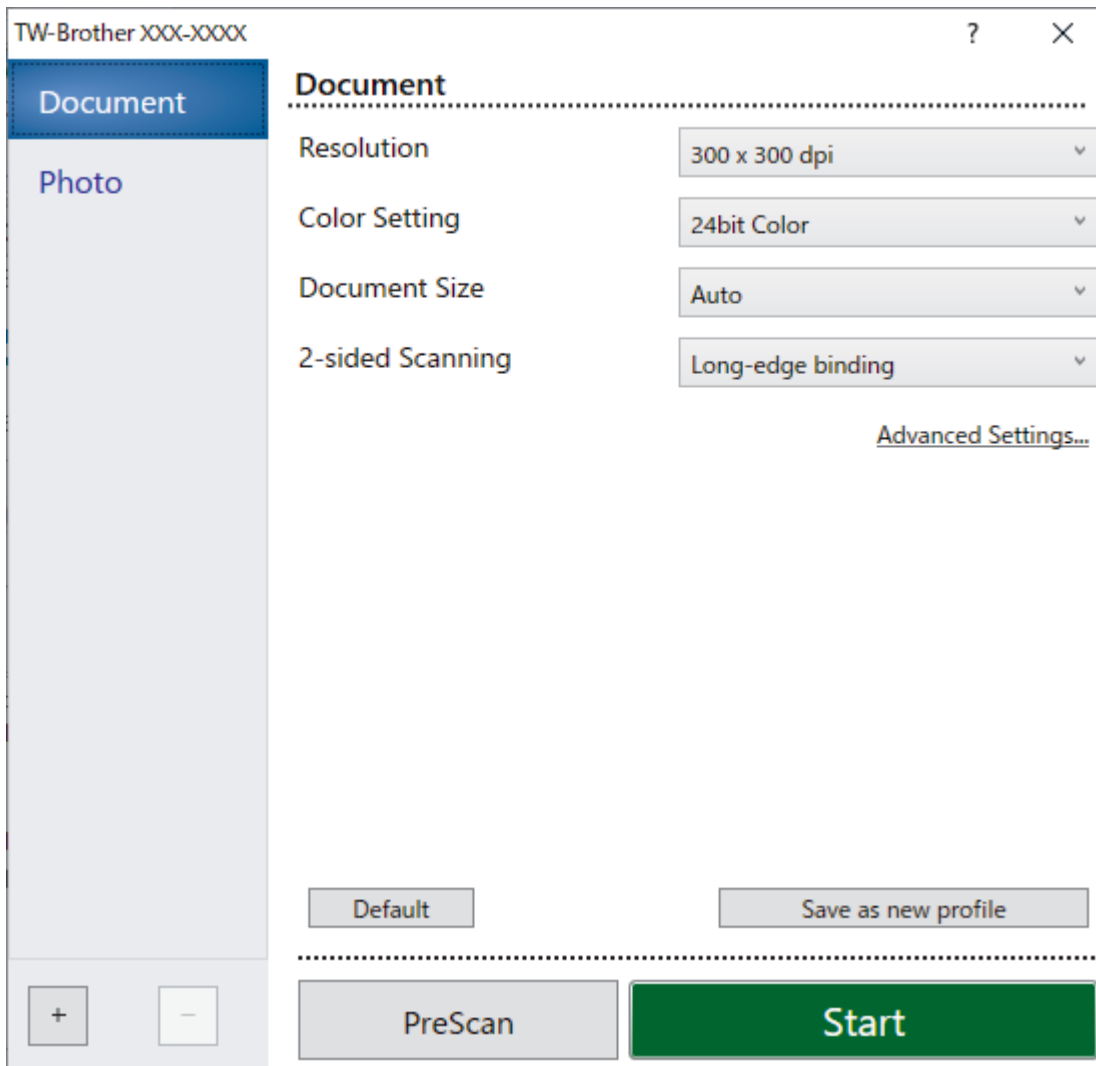
9. Adjust the settings in the Scanner Setup dialog box, if needed.
10. Click the **Document Size** drop-down list, and then select your document size.
11. Click **PreScan** to preview your image and crop unwanted portions before scanning.
12. Click **Start**.

The machine starts scanning.

### ✓ Related Information

- [Scan from Your Computer \(Windows\)](#)
- [TWAIN Driver Settings \(Windows\)](#)

## TWAIN Driver Settings (Windows)



- Note that the item names and assignable values will vary depending on the machine.
- Load only one document per scanning sequence when **Long Paper** or **Carrier Sheet Mode** is selected.

### 1. Scan

Select the **Photo** or **Document** option depending on the type of document you want to scan.

Scan (Image Type)		Resolution	Colour Setting
<b>Document</b>	Use for scanning text documents.	300 x 300 dpi	<b>24bit Colour</b>
<b>Photo</b>	Use for scanning photo images.	300 x 300 dpi	<b>24bit Colour</b>

### 2. Resolution

Select a scanning resolution from the **Resolution** drop-down list. Higher resolutions produce a finer scanned image but consume more memory and increase transfer time.



Long Paper is available for scanning at resolutions below 300 x 300 dpi.

### 3. Color Setting

Select from a range of scan colour depths.

- **Auto**

Automatically detects whether the document uses colour and generates a scanned image of it. For documents that mix colour and monochrome pages, colour pages will be scanned in Colour mode, while monochrome pages will be scanned in **Black & White** mode.

- **Black & White**

Use for text or line art images.

- **Grey (Error Diffusion)**

Use for photographic images or graphics. (Error Diffusion is a method for creating simulated greyscale images without using true grey dots. Black dots are put in a specific pattern to give a grey appearance.)

- **True Grey**

Use for photographic images or graphics. This mode is more accurate because it uses up to 256 shades of grey.

- **24bit Colour**

Use to create an image with the most accurate colour reproduction. This mode uses up to 16.8 million colours to scan the image, but it requires the most memory and has the longest transfer time.

#### 4. Document Size

Select the exact size of your document from a selection of preset scan sizes. If you select **Custom**, the **Custom Document Size** dialog box appears and you can specify the document size.

#### 5. 2-sided Scanning

Scan both sides of the document. Select **Long-edge binding** or **Short-edge binding** depending on the layout of your original to make sure the data file created appears correctly in the scanned document.



**2-sided Scanning** is not available for **Long Paper**.

2-sided Scan Setting	Original Layout	Scan Result
Long-edge binding		
Short-edge binding		

#### 6. Advanced Settings

Configure advanced settings by clicking the **Advanced Settings** link in the Scanner Setup dialog box.

- **Document Correction**

- **Cropping**

- **Auto Deskew**

Set the machine to correct document skewing automatically.



- **Auto Deskew** feature is automatically set to On if you select **Auto** for the **Document Size**.

---

- **Detect End of Page (ADF)**

Detects the end of page and automatically adjusts the size of a page when the length of the document is shorter than the **Document Size** selected.

- **Margin Settings**

This feature allows you to add or remove a specific margin (from -3 mm to 3 mm) at the edge of the image. A positive value increases the size of the scanned image when it is output and a negative value decreases the size of the scanned image when it is output.



---

**Margin Settings** is available only when **Document Size** is set to **Auto**.

---

- **Rotate Image**

Changes the direction of the document based on the text orientation.

- **Fill With Color**

- **Tear Fill**

Detects and fills tear marks on the scanned image using the selected colour and range.

- **Edge Fill**

Fill in the edges on four sides of the scanned image using the selected colour and range.

- **Punch Hole Removal**

This feature removes the punch hole markings by filling hole marks with white or the surrounding colour.

- **Auto Color Detect Adjust**

When colour setting **Auto** is selected, you can adjust the detection level of colour. Increasing the slider value makes the machine more likely to determine that a given document is a colour document.

- **Skip Blank Page**

Remove the document's blank pages from the scanning results.

- **Enhancement**

- **Diffusion Adjustment -Grey**

This function adjusts the brightness and contrast to create grey images.



---

Only effective when the **Color Setting** is **Grey (Error Diffusion)**.

---

### **Brightness**

Set the **Brightness** level by moving the slider to the right or left to lighten or darken the image. If the scanned image is too light, set a lower brightness level and scan the document again. If the image is too dark, set a higher brightness level and scan the document again. You can also type a value in the field to set the brightness.

### **Contrast**

Increase or decrease the **Contrast** level by moving the slider to the right or left. An increase emphasises dark and light areas of the image, while a decrease reveals more details in grey areas. You can also type a value in the field to set the contrast.

- **Colour Tone Adjustment**

Allows you to adjust the brightness, contrast, shadow, highlight, and gamma during True grey and colour scanning.

- **Background Processing**

- **Remove Bleed-through / Pattern**

Prevent bleed-through.

- **Remove Background Colour**

Remove the base colour of documents to make the scanned data more legible.

- **Colour Drop**

Select a colour to remove from the scanned image.

- **Edge Emphasis**

Make the characters of the original sharper.

- **Moire Reduction**  
Reduce the moiré pattern, or cross-hatching, in a scanned image.
- **Vertical Streak Reduction**  
Reduce the vertical streaks in a scanned image.







The following items can be selected when scanning colour or grey images:

- **Colour Tone Adjustment**
- **Edge Emphasis**
- **B&W Image Quality**
  - **B&W Threshold Adjustment**  
This setting allows you to adjust the image quality when scanning in **Black & White** mode. Larger values increase the amount of black in the scanned image, while smaller values increase the amount of white.
  - **Character Correction**  
Correct any broken or incomplete characters in the original to make them easier to read.



**Character Correction** can be selected when scanning monochrome images.

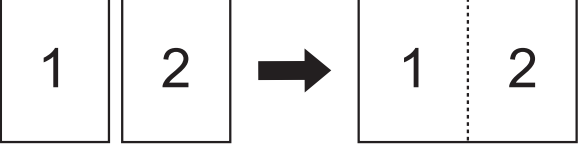
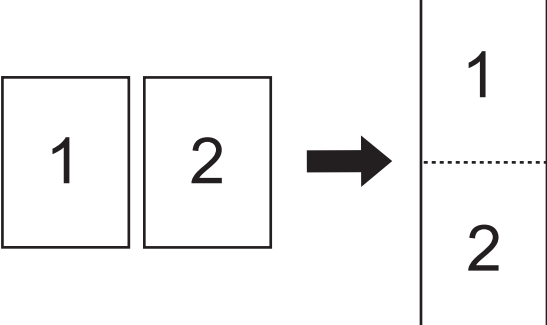
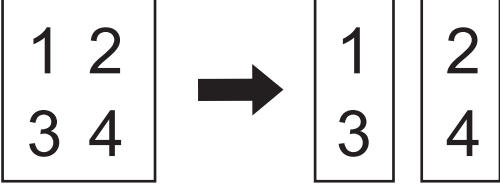
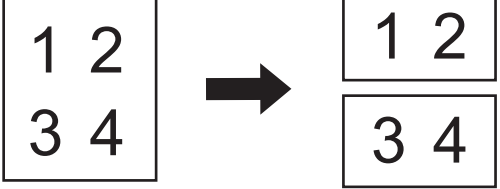
- **B&W Inversion**  
This feature allows you to create a monochrome inverted version of the scanned image.
- **Noise Reduction**  
You can improve and enhance the quality of your scanned images with this selection. The **Noise Reduction** setting is available when a document size other than **Long Paper** is selected in **Black & White** mode.
- **Remove Ruled Line**  
This feature allows you to remove lines in the document. You can select the type of line direction to remove (**Vertical**, **Horizontal**, **Vertical and Horizontal**).
  - **Minimum Line Length**  
Lines longer than or equal to the specified length are removed.
  - **Maximum Clearance**  
If lines are broken, for example due to fading of the image, the lines that are broken for an interval less than or equal to the specified broken line distance will be detected and removed.

Original Document	Scan Result	Description
There are horizontal and vertical lines. 		If you select <b>Vertical</b> , the vertical line is removed.
		If you select <b>Horizontal</b> , the horizontal line is removed.
		If you select <b>Vertical and Horizontal</b> , all lines are removed.

- **Feed Control**
  - **Layout**

Allows you to scan a two-page document combined into one page, or scan a one-page document divided into two pages.

Choose one of the following options:

Option	Description
<b>2in1: Long Edge</b>	Combine a two-page document into a single page using landscape orientation. 
<b>2in1: Short Edge</b>	Combine a two-page document into a single page using portrait orientation. 
<b>1 to 2: Long Edge</b>	Divide a one-page document into two pages using portrait orientation. 
<b>1 to 2: Short Edge</b>	Divide a one-page document into two pages using landscape orientation. 

- **Carrier Sheet Mode**

Use the optional Carrier Sheet to scan the following document types:

- Important documents (photos, contracts)
- Thin paper (receipts)
- Irregularly-shaped paper (clippings)

- **Single Page Scan**

Scans one page at a time from the ADF, regardless of the number of pages in the ADF.

- **Continuous scan**

Select this option to scan additional documents using the same settings when a scan has been completed. It is useful when you are scanning more documents than the ADF can hold or when you are scanning several documents at once.



(ADS-4300N) **Auto** is available only when using the USB connection.

- **Multifeed Detection**

---

When your machine detects a multifeed, you must confirm that the data scanned so far has been saved, and then start scanning again at the next page or the beginning of the document.



- Disable this setting when scanning thick paper. Otherwise the machine may accidentally detect a multifeed.
- If you enable **Carrier Sheet Mode**, you cannot enable **Multifeed Detection**.

---

- **Additional Functions**

- **Barcode Detection**

- The machine reads the barcode printed on the scanned image. Specify the barcode type and detection area.



- **Barcode Detection** is available when **Layout** is Off.
- To scan and read barcodes, use a third-party application. The TWAIN driver alone cannot convert barcodes into data.

---

- **JPEG Compression**

- Changes the quality of the JPEG file to be saved.



---

This function is available only when using a third-party application with Disk File mode.

---

- **Digital Imprinter**

- Add the date, time, document count, or other custom text on your scanned image.

- **Other**

- **Optimize Data Transfer**

- Adjust the Data Transfer Rate.



## Related Information

- [Scan Using Nuance™ PaperPort™ 14SE or Other Windows Applications](#)
-

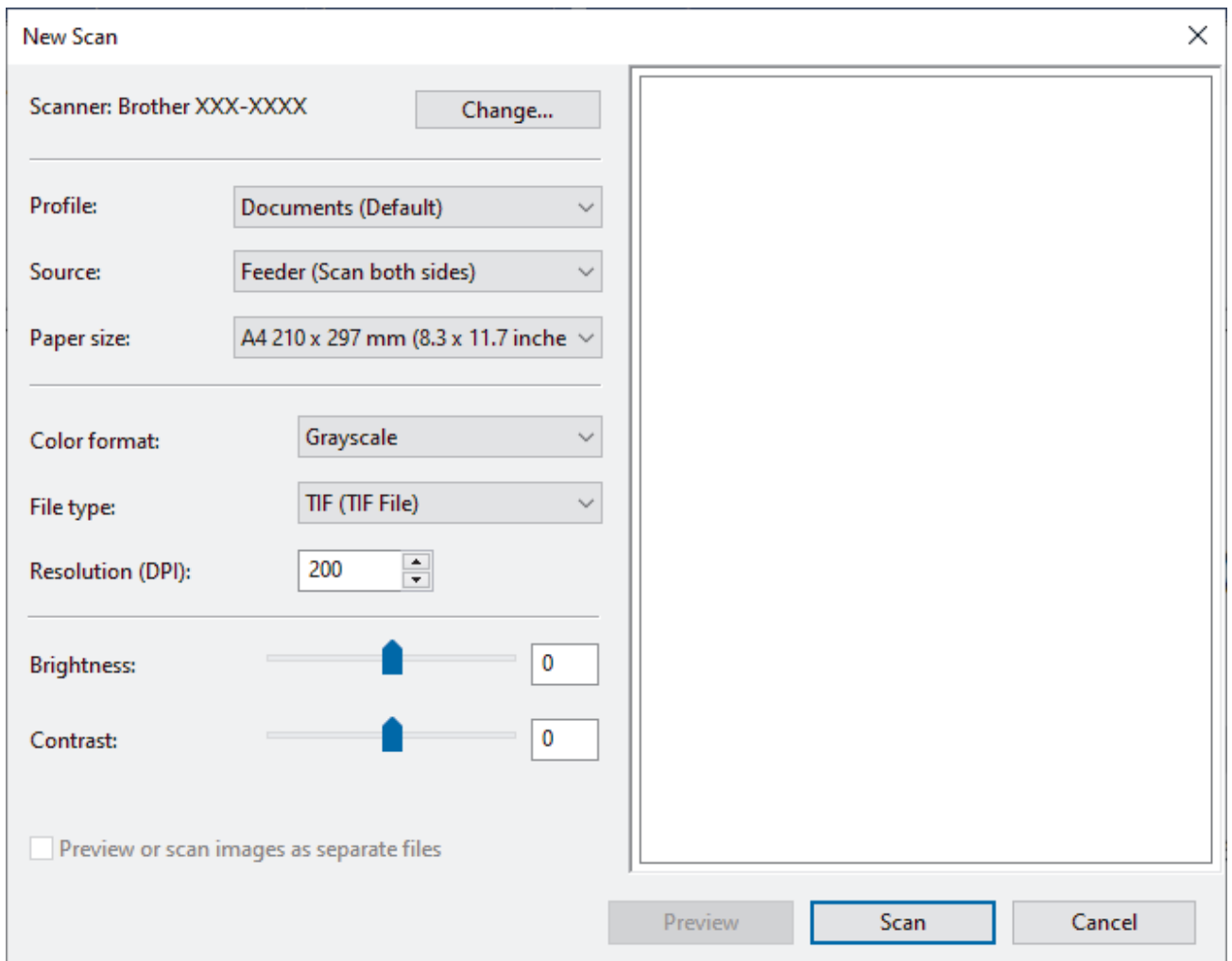
## Scan Using Windows Fax and Scan

Windows Fax and Scan application is another option that you can use for scanning.

Windows Fax and Scan uses the WIA scanner driver.

1. Load your document.
2. Launch Windows Fax and Scan.
3. Click **File > New > Scan**.
4. Select the scanner you want to use.
5. Click **OK**.

The **New Scan** dialog box appears.



6. Adjust the settings in the dialog box, if needed.
7. Click **Scan**.

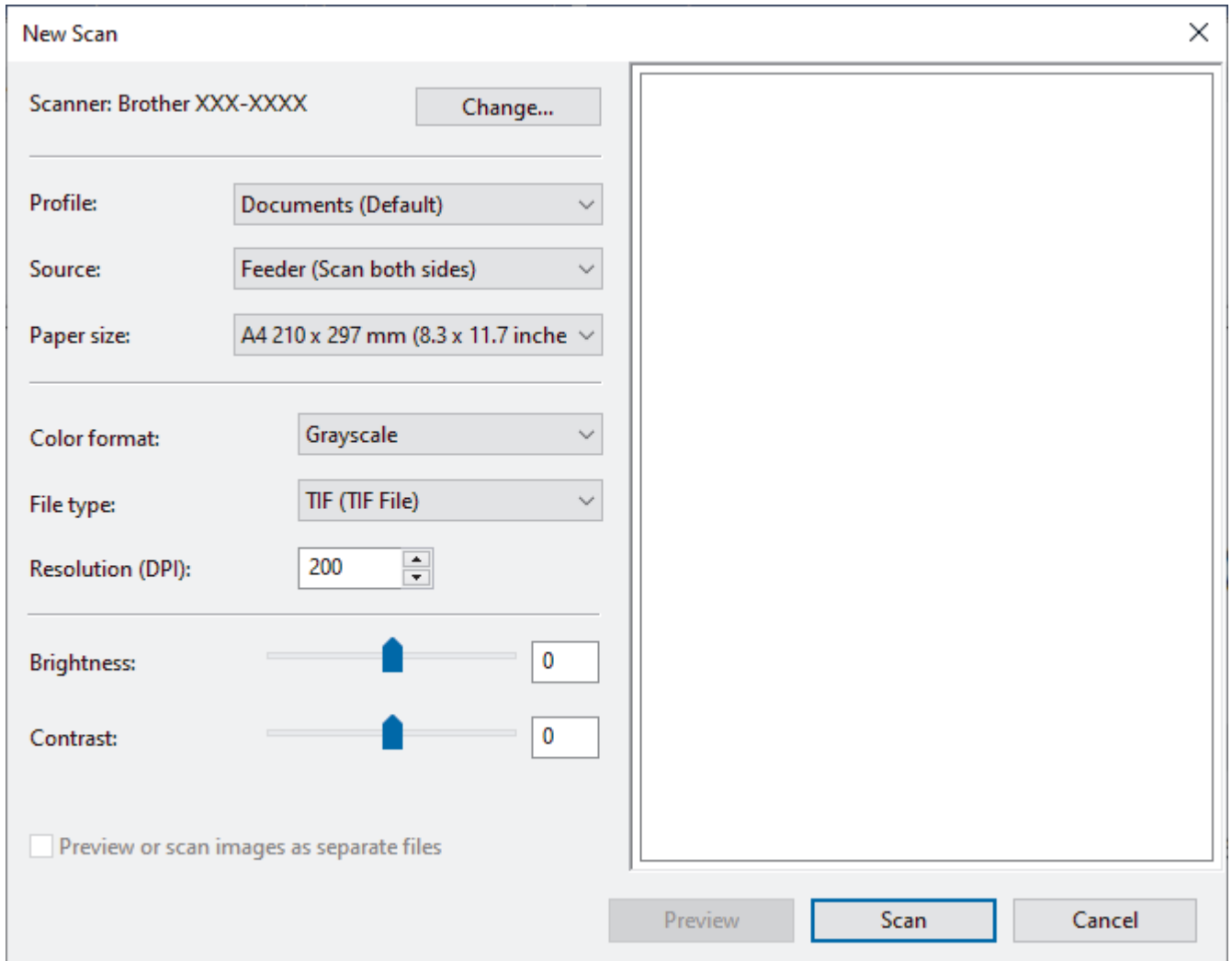
The machine starts scanning.

### ✓ Related Information

- [Scan from Your Computer \(Windows\)](#)
  - [WIA Driver Settings \(Windows\)](#)



## WIA Driver Settings (Windows)



### Profile

Select the scan profile you want to use from the **Profile** drop-down list.

### Source

Select the **Feeder (Scan one side)** or **Feeder (Scan both sides)** option from the **Source** drop-down list.

### Paper size

Select a paper size from the **Paper size** drop-down list.

### Colour format

Select a scan colour format from the **Colour format** drop-down list.

### File type

Select a file format from the **File type** drop-down list.

### Resolution (DPI)

Set a scanning resolution in the **Resolution (DPI)** field. Higher resolutions take more memory and transfer time, but produce a finer scanned image.

### Brightness

Set the **Brightness** level by dragging the slider to the right or left to lighten or darken the image. If the scanned image is too light, set a lower brightness level and scan the document again. If the image is too dark,

---

set a higher brightness level and scan the document again. You can also type a value in the field to set the brightness level.

### **Contrast**

Increase or decrease the **Contrast** level by moving the slider to the right or left. An increase emphasises dark and light areas of the image, while a decrease reveals more details in grey areas. You can also type a value in the field to set the contrast level.





### **Related Information**

- [Scan Using Windows Fax and Scan](#)

## Scan Using Brother iPrint&Scan (Windows)

Use Brother iPrint&Scan for Windows to scan from your computer. Go to your model's **Downloads** page at [support.brother.com](http://support.brother.com) to download it.

1. Start Brother iPrint&Scan. Do one of the following:
  - Windows 10  
Click  > **Brother** > **Brother iPrint&Scan**.
  - Windows 8.1  
Click **Brother iPrint&Scan**.
  - Windows 7  
Click  (**Start**) > **All Programs** > **Brother iPrint&Scan**.
2. If your Brother machine is not selected, click the **Select your Machine** button, and then follow the on-screen instructions to select your Brother machine.
3. Click the **Scan** icon, and then follow the on-screen instructions to scan your documents.



### Related Information

- [Scan from Your Computer \(Windows\)](#)

#### Related Topics:

- [Brother iPrint&Scan Overview](#)

## Scan from Your Computer (Mac)

There are several ways you can use your Mac to scan documents on your Brother machine. Use the software applications provided by Brother or your favourite scanning application.

- [Scan Using Brother iPrint&Scan \(Mac\)](#)
- [Scan Using TWAIN-Compliant Applications \(Mac\)](#)
- [Using AirPrint Scanning](#)

## Scan Using Brother iPrint&Scan (Mac)

Use Brother iPrint&Scan for Mac to scan from your computer. Download and install Brother iPrint&Scan from the App Store.

1. In the **Finder** menu bar, click **Go > Applications**, and then double-click the iPrint&Scan icon.  
The Brother iPrint&Scan screen appears.
2. If your Brother machine is not selected, click the **Select your Machine** button, and then follow the on-screen instructions to select your Brother machine.
3. Click the **Scan** icon, and then follow the on-screen instructions to scan your documents.



### Related Information

- [Scan from Your Computer \(Mac\)](#)

#### Related Topics:

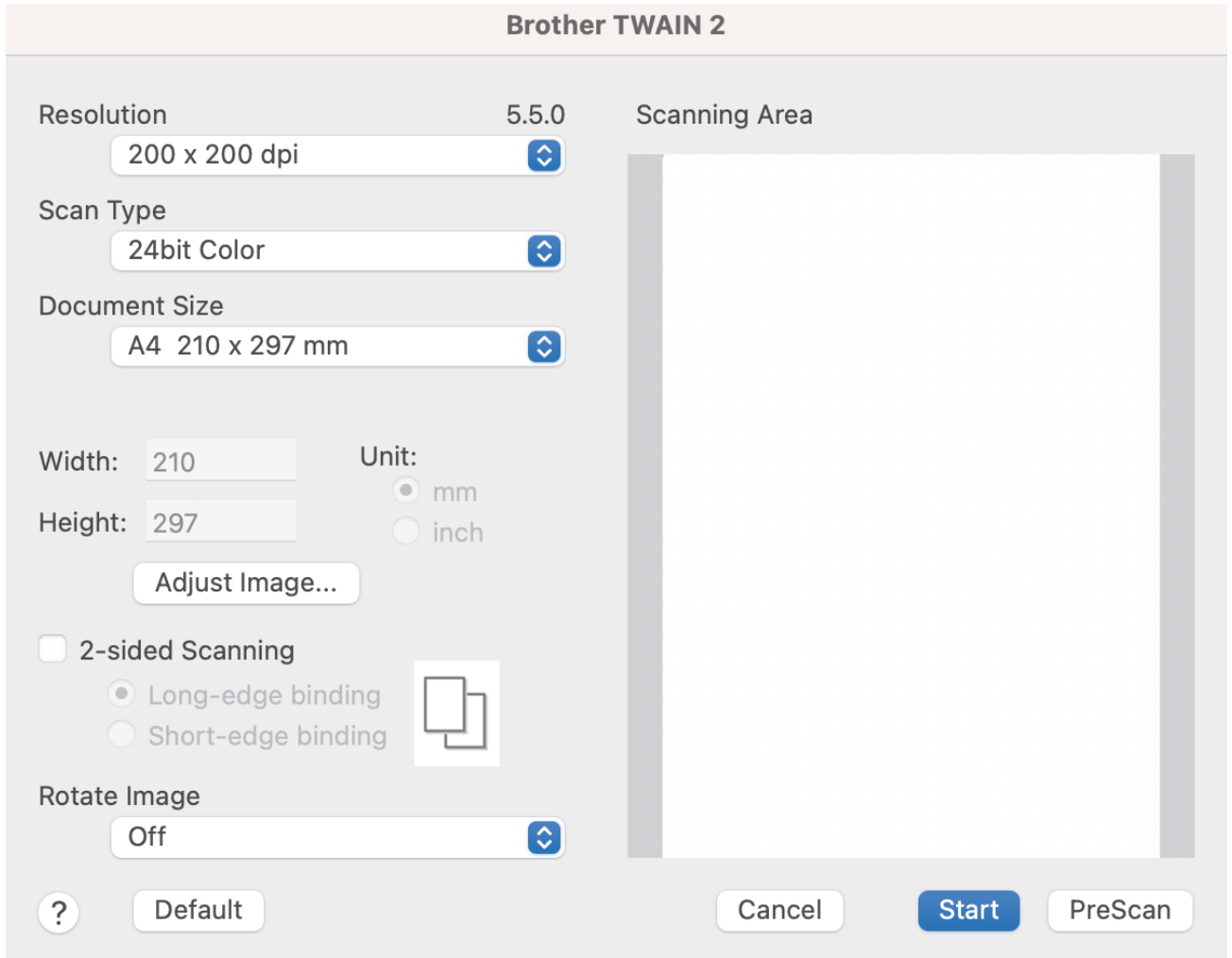
- [Brother iPrint&Scan Overview](#)
-

## Scan Using TWAIN-Compliant Applications (Mac)

You can scan using TWAIN-compliant applications. For more information about the scanning procedure, see the manual for your application.

1. Load your document.
2. Start your graphics application, and then select the scan operation.

The scanner setup dialog box appears.



3. Adjust the settings in the Scanner Setup dialog box, if needed.
4. Select your document size from **Document Size** drop down list.
5. Click the **PreScan** option to preview your image and crop unwanted portions before scanning.
6. Click **Start**.

The machine starts scanning.

### ✓ Related Information

- [Scan from Your Computer \(Mac\)](#)
- [TWAIN Driver Settings \(Mac\)](#)

## TWAIN Driver Settings (Mac)

Brother TWAIN 2

Resolution 5.5.0  
200 x 200 dpi

Scan Type  
24bit Color

Document Size  
A4 210 x 297 mm

Width: 210 Unit:  mm  inch  
Height: 297

Adjust Image...

2-sided Scanning  
 Long-edge binding  Short-edge binding

Rotate Image  
Off

? Default Cancel Start PreScan



The options and settings available vary depending on the machine.

### 1. Resolution

Select a scanning resolution from the **Resolution** pop-up menu. Higher resolutions produce a finer scanned image but consume more memory and increase transfer time.

### 2. Scan Type

Select from a range of scan colour depths.

- **Black & White**

Use for text or line art images.

- **Gray (Error Diffusion)**

Use for photographic images or graphics. (Error Diffusion is a method for creating simulated greyscale images without using true grey dots. Black dots are put in a specific pattern to give a grey appearance.)

- **True Gray**

Use for photographic images or graphics. This mode is more accurate because it uses up to 256 shades of grey.

- **24bit Colour**

Use to create an image with the most accurate colour reproduction. This mode uses up to 16.8 million colours to scan the image, but it requires the most memory and has the longest transfer time.

---

### 3. Document Size

Select the exact size of your document from a selection of preset scan sizes. If you select **Custom**, you can specify the document size.

### 4. Adjust Image

Click the **Adjust Image** button for adjusting the image.

- **Brightness**

Set the **Brightness** level by moving the slider to the right or left to lighten or darken the image. If the scanned image is too light, set a lower brightness level and scan the document again. If the image is too dark, set a higher brightness level and scan the document again. You can also type a value in the field to set the brightness.

- **Contrast**

Increase or decrease the **Contrast** level by moving the slider to the right or left. An increase emphasises dark and light areas of the image, while a decrease reveals more details in grey areas. You can also type a value in the field to set the contrast.



The **Contrast** setting is available only when setting **Scan Type** to **Gray (Error Diffusion)**, **True Gray** or **24bit Colour**.

---

- **Reduce Noise**

You can improve and enhance the quality of your scanned images with this selection. The Reduce Noise setting is available when using **24bit Colour** and scan resolutions of 300 x 300 dpi, 400 x 400 dpi or 600 x 600 dpi.

### 5. 2-sided Scanning

Scan both sides of the document.

### 6. Rotate Image

Rotate the scanned image.

### 7. PreScan

Click **PreScan** to preview your image and crop unwanted areas before scanning. Cropping is available when **2-sided Scanning** setting is off.



## Related Information

- [Scan Using TWAIN-Compliant Applications \(Mac\)](#)
-



## Using AirPrint Scanning

- [Before Using AirPrint Scanning](#)
- [Scan Using AirPrint Scanning](#)

## Before Using AirPrint Scanning

Before using AirPrint Scanning, add your Brother machine to the scanner list on your Mac.

- To use this feature, make sure your machine has the latest firmware. To check for the latest firmware upgrade, visit [support.brother.com](http://support.brother.com).
- Make sure your Brother machine and Mac are connected either wirelessly or via a USB cable.

1. Select **System Preferences** from the Apple menu.
2. Click **Printers & Scanners**.
3. Click the + icon below the Scanners pane on the left.  
The **Add Printer** screen appears.
4. Select your Brother machine, and then select **Brother XXX-XXXXX** from the **Use** pop-up menu.
5. Click **Add**.



### Related Information

- [Using AirPrint Scanning](#)

## Scan Using AirPrint Scanning

Before scanning, make sure your Brother machine is in the scanner list on your Mac.

1. Load your document.
2. Select **System Preferences** from the Apple menu.
3. Click **Printers & Scanners**.
4. Select your Brother machine from the scanner list.
5. Click the **Open Scanner...** button.  
The Scanner screen appears.
6. Select the size of your document from the scan size setting pop-up menu.
7. Select the destination folder or destination application.
8. Click **Show Details** to change the scanning settings if needed.
9. Click **Scan**.



### Related Information

- [Using AirPrint Scanning](#)

## **Configure Scan Settings Using Web Based Management**

- [Set the Scan Job Email Report Using Web Based Management](#)

## Set the Scan Job Email Report Using Web Based Management

When you scan a document, the machine will send a scan job email report automatically to the registered email address.

1. Start your web browser.
2. Type "https://machine's IP address" in your browser's address bar (where "machine's IP address" is the machine's IP address).

For example:

https://192.168.1.2

3. If required, type the password in the **Login** field, and then click **Login**.



---

The default password to manage this machine's settings is located on the back of the machine and marked "Pwd".

---

4. Go to the navigation menu, and then click **Scan > Scan Job e-mail report**.



---

Start from ☰, if the navigation menu is not shown on the left side of the screen.

---

5. In the **Administrator Address** field, type the email address.
6. For the scan functions you want, select **Enabled** to send a scan job email report.
7. Click **Submit**.



### Related Information

- [Configure Scan Settings Using Web Based Management](#)

#### Related Topics:

- [Access Web Based Management](#)
-

## Network

- [Supported Basic Network Features](#)
- [Configure Network Settings](#)
- [Wireless Network Settings](#)
- [Network Features](#)
- [Brother Management Tools](#)

## Supported Basic Network Features

The machine supports various features depending on the operating system. Use this table to see which network features and connections are supported by each operating system.

Operating Systems	Windows 7 (SP1) Windows 8.1 Windows 10	Windows Server 2012 Windows Server 2012 R2 Windows Server 2016 Windows Server 2019	macOS v10.14.x macOS v10.15.x macOS v11.0.x
Scanning	Yes	Yes	Yes
BRAdmin Light <sup>1 2</sup>	Yes	Yes	
Web Based Management <sup>2</sup>	Yes	Yes	Yes



### Related Information

- [Network](#)

<sup>1</sup> BRAdmin Light is available as a download from your model's **Downloads** page at [support.brother.com](http://support.brother.com).

<sup>2</sup> The default password to manage this machine's settings is located on the back of the machine and marked "Pwd". We recommend immediately changing the default password to protect your machine from unauthorised access.

## Configure Network Settings

- [Configure Network Settings Using the Control Panel](#)
- [Change Machine Settings Using Web Based Management](#)




## Configure Network Settings Using the Control Panel

**Related Models:** ADS-4700W/ADS-4900W

To configure the machine for your network, use the control panel's [Network] menu selections.



You can also use management utilities, such as Web Based Management, to configure and change your Brother machine's network settings.

1. Press  [Settings] > [Network].
2. Press ▲ or ▼ to display the network option, and then press it. Repeat this step until you access the menu you want to configure, and then follow the touchscreen LCD instructions.



### Related Information

- [Configure Network Settings](#)

## Wireless Network Settings

**Related Models:** ADS-4700W/ADS-4900W

- [Use the Wireless Network](#)
- [Use Wi-Fi Direct<sup>®</sup>](#)
- [Enable/Disable Wireless LAN](#)
- [Wireless LAN Error Codes](#)

## Use the Wireless Network

**Related Models:** ADS-4700W/ADS-4900W

- [Before Configuring Your Brother Machine for a Wireless Network](#)
- [Configure Your Machine for a Wireless Network Using the Setup Wizard from Your Computer](#)
- [Configure Your Machine for a Wireless Network Using the Setup Wizard from Your Mobile Device](#)
- [Configure Your Machine for a Wireless Network Using the Machine's Control Panel Setup Wizard](#)
- [Configure Your Machine for a Wireless Network Using the One-Push Method of Wi-Fi Protected Setup™ \(WPS\)](#)
- [Configure Your Machine for a Wireless Network Using the PIN Method of Wi-Fi Protected Setup™ \(WPS\)](#)

## Before Configuring Your Brother Machine for a Wireless Network

**Related Models:** ADS-4700W/ADS-4900W

Before attempting to configure a wireless network, confirm the following:

- Before configuring wireless settings, you must know your Network Name (SSID) and Network Key (Password).



If you do not know this security information, contact the router manufacturer, your system administrator, or your Internet provider.

- To achieve optimum results with normal everyday document scanning, place the Brother machine as close to the wireless access point/router as possible with minimal obstructions. Large objects and walls between the two devices and interference from other electronic devices can affect the data transfer speed of your documents.

Due to these factors, wireless may not be the best method of connection for all types of documents and applications. If you are scanning large files, such as multi-page documents with mixed text and large graphics, you may want to consider selecting wired Ethernet for faster data transfer, or USB for the fastest throughput speed.

- Although the Brother machine can be used in both a wired and wireless network, only one connection method can be used at a time.
- If there is a signal in the vicinity, wireless LAN allows you to freely make a LAN connection. However, if security settings are not correctly configured, the signal may be intercepted by malicious third-parties, possibly resulting in:
  - Theft of personal or confidential information
  - Improper transmission of information to parties impersonating the specified individuals
  - Dissemination of transcribed communication contents that were intercepted



### Related Information

- [Use the Wireless Network](#)

## Configure Your Machine for a Wireless Network Using the Setup Wizard from Your Computer

Related Models: ADS-4700W/ADS-4900W

>> [Windows](#)

>> [Mac](#)

### Windows

1. Download the installer from your model's **Downloads** page at [support.brother.com](http://support.brother.com).
2. Follow the on-screen instructions.
3. Select **Wireless Network Connection (Wi-Fi)**, and then click **Next**.
4. Follow the on-screen instructions.

You have completed the wireless network setup.

### Mac

1. Download the Wireless Device Setup Wizard installer from your model's **Downloads** page at [support.brother.com](http://support.brother.com).
2. Double-click the Wireless Device Setup Wizard icon.
3. Follow the on-screen instructions.

You have completed the wireless network setup.



### Related Information

- [Use the Wireless Network](#)

## Configure Your Machine for a Wireless Network Using the Setup Wizard from Your Mobile Device

**Related Models:** ADS-4700W/ADS-4900W

1. Do one of the following:
  - Android™ devices  
Download and install Brother Mobile Connect from Google Play™.
  - All iOS or iPadOS supported devices including iPhone, iPad and iPod touch  
Download and install Brother Mobile Connect from the App Store.
2. Start Brother Mobile Connect, and then follow the on-screen instructions to connect your mobile device to your Brother machine.



### Related Information

- [Use the Wireless Network](#)

## Configure Your Machine for a Wireless Network Using the Machine's Control Panel Setup Wizard

**Related Models:** ADS-4700W/ADS-4900W

Before configuring your machine, we recommend writing down your wireless network settings. You will need this information before you continue with the configuration.

1. Check and write down the current wireless network settings.

Network Name (SSID)

Network Key (Password)


For example:

Network Name (SSID)
HELLO

Network Key (Password)
12345



If your router uses WEP encryption, enter the Network Key (Password) used as the first WEP key. Your Brother machine supports the use of the first WEP key only.

2. Press  [Settings] > [Network] > [WLAN (Wi-Fi)] > [Find Wi-Fi Network].
3. When [Enable WLAN? Do you want to continue?] appears, press [Yes].  
The wireless setup wizard starts. To cancel, press [No].
4. The machine searches for your network and displays a list of available SSIDs. Press ▲ or ▼ to display the SSID you want to connect to, and then press it.
5. Press [OK].
6. Do one of the following:
  - If using an authentication and encryption method that requires a Network Key (Password), enter the Network Key (Password) you wrote down in the first step.  
When you have entered all the characters, press [OK].
  - If your authentication method is Open System and your encryption mode is None, go to the next step.
7. The machine attempts to connect to the wireless device you have selected.

If your wireless device is connected successfully, the LCD displays [Connected].

You have completed the wireless network setup. To install drivers and software necessary for operating your machine, go to your model's **Downloads** page at [support.brother.com](http://support.brother.com).




### Related Information

- [Use the Wireless Network](#)

## Configure Your Machine for a Wireless Network Using the One-Push Method of Wi-Fi Protected Setup™ (WPS)

**Related Models:** ADS-4700W/ADS-4900W

If your wireless access point/router supports Wi-Fi Protected Setup™ (WPS), you can use WPS from your machine's control panel menu to configure your wireless network settings.

1. Press  [Settings] > [Network] > [WLAN (Wi-Fi)] > [WPS/Push Button].
2. When [Enable WLAN? Do you want to continue?] appears, press [Yes].  
The wireless setup wizard starts. To cancel, press [No].
3. When the touchscreen instructs you to start WPS, press the WPS button on your wireless access point/router. Press [OK], and then your machine automatically tries to connect to your wireless network.

If your wireless device is connected successfully, the LCD displays [Connected].

You have completed the wireless network setup. To install drivers and software necessary for operating your machine, go to your model's **Downloads** page at [support.brother.com](http://support.brother.com).



### Related Information

- [Use the Wireless Network](#)



## Configure Your Machine for a Wireless Network Using the PIN Method of Wi-Fi Protected Setup™ (WPS)

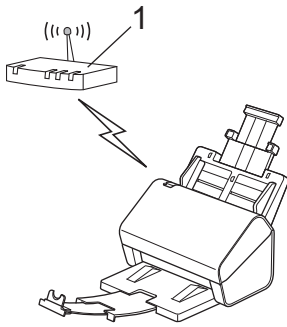
**Related Models:** ADS-4700W/ADS-4900W

If your wireless access point/router supports WPS, you can use the Personal Identification Number (PIN) Method to configure your wireless network settings.

The PIN Method is one of the connection methods developed by the Wi-Fi Alliance®. By submitting a PIN created by an Enrollee (your machine) to the Registrar (a device that manages the wireless LAN), you can set up the wireless network and security settings. For more information on how to access WPS mode, see the instructions provided with your wireless access point/router.

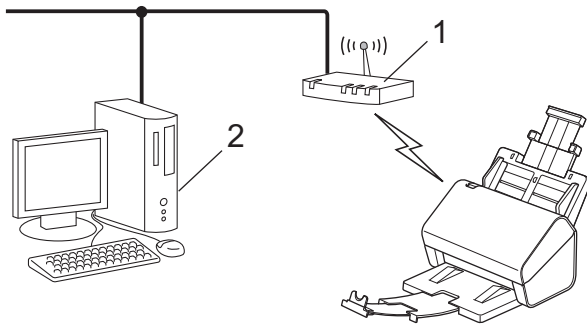
### Type A


Connection when the wireless access point/router (1) doubles as the Registrar.



### Type B

Connection when another device (2), such as a computer, is used as the Registrar.





1. Press  [Settings] > [Network] > [WLAN(Wi-Fi)] > [WPS/PIN Code].
2. When [Enable WLAN? Do you want to continue?] appears, press [Yes].  
The wireless setup wizard starts. To cancel, press [No].
3. The LCD displays an eight-digit PIN and the machine starts searching for a wireless access point/router.
4. Using a computer connected to the network, in your browser's address bar, type the IP address of the device you are using as the Registrar. (For example: <http://192.168.1.2>)
5. Go to the WPS settings page and type the PIN, and then follow the on-screen instructions.



- The Registrar is usually the wireless access point/router.
- The settings page will differ depending on the brand of wireless access point/router. For more detailed information, see the instructions supplied with your wireless access point/router.

**If using a Windows 7, Windows 8.1, or Windows 10 computer as a Registrar, complete the following steps:**

6. Do one of the following:

- 
- Windows 10  
Click  > **Windows System** > **Control Panel**. In the **Hardware and Sound** group, click **Add a device**.
  - Windows 8.1  
Move your mouse to the lower right corner of your desktop. When the menu bar appears, click **Settings** > **Control Panel** > **Hardware and Sound** > **Devices and Printers** > **Add a device**.
  - Windows 7  
Click  (**Start**) > **Devices and Printers** > **Add a device**.



- 
- To use Windows 7, Windows 8.1, or Windows 10 computer as a Registrar, you must register it to your network in advance. For more detailed information, see the instructions supplied with your wireless access point/router.
  - If you use Windows 7, Windows 8.1, or Windows 10 as a Registrar, you can install the scanner driver after the wireless configuration by following the on-screen instructions. To install the full driver and software package, see the *Quick Setup Guide*.
- 

7. Select your machine and click **Next**.
8. Type the PIN displayed on the machine's LCD, and then click **Next**.
9. (Windows 7 only) Select your network, and then click **Next**.
10. Click **Close**.

If your wireless device is connected successfully, the LCD displays [Connected].

You have completed the wireless network setup. To install drivers and software necessary for operating your machine, go to your model's **Downloads** page at [support.brother.com](http://support.brother.com).



## Related Information

- [Use the Wireless Network](#)
-

## Use Wi-Fi Direct®

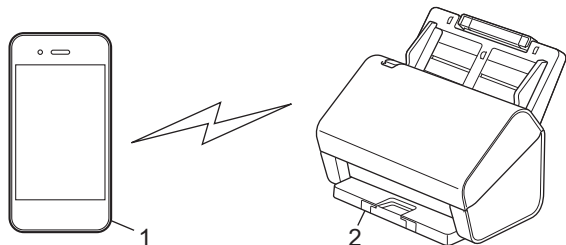
**Related Models:** ADS-4700W/ADS-4900W

- [Wi-Fi Direct Overview](#)
- [Configure Your Wi-Fi Direct Network Using the Push Button Method](#)
- [Configure Your Wi-Fi Direct Network Manually](#)
- [Network Problems](#)

## Wi-Fi Direct Overview

**Related Models:** ADS-4700W/ADS-4900W

Wi-Fi Direct is one of the wireless configuration methods developed by the Wi-Fi Alliance®. It allows you to securely connect your mobile device to your Brother machine without using a wireless router/access point.



1. Mobile device
2. Your Brother machine



You can use Wi-Fi Direct with both a wired and a wireless network connection at the same time. (ADS-4900W) This model cannot use Wi-Fi Direct while connected to a 5 GHz Wi-Fi network.



### Related Information

- [Use Wi-Fi Direct®](#)

#### Related Topics:


- [Configure Your Wi-Fi Direct Network Using the Push Button Method](#)
- [Configure Your Wi-Fi Direct Network Manually](#)

## Configure Your Wi-Fi Direct Network Using the Push Button Method

Related Models: ADS-4700W/ADS-4900W



When the machine receives the Wi-Fi Direct request from your mobile device, the message [Wi-Fi Direct Connection request received. Press [OK] to connect. Device Name:] will appear on the LCD. Press [OK] to connect.

1. Press  [Settings] > [Network] > [Wi-Fi Direct] > [Push Button].
2. When the [Activate Wi-Fi Direct on other device. Then Press [OK].] message appears, turn your mobile device's Wi-Fi Direct function on (for more information, see your mobile device's user's guide). Press [OK] on your Brother machine.
3. When your mobile device displays a list of machines with Wi-Fi Direct enabled, select your Brother machine.

When your mobile device connects successfully, the machine displays [Connected].



### Related Information

- [Use Wi-Fi Direct®](#)


#### Related Topics:

- [Wi-Fi Direct Overview](#)
- [Configure Your Wi-Fi Direct Network Manually](#)

## Configure Your Wi-Fi Direct Network Manually

**Related Models:** ADS-4700W/ADS-4900W

If your mobile device does not support Wi-Fi Direct or WPS, you must configure a Wi-Fi Direct network manually.

1. Press  [Settings] > [Network] > [Wi-Fi Direct] > [Manual].
2. The machine will display the SSID name and Password. Go to your mobile device's wireless network settings screen and enter the SSID name and password.

If your mobile device connects successfully, the machine displays [Connected]. You have completed the Wi-Fi Direct network setup.

### Related Information



- [Use Wi-Fi Direct®](#)

#### **Related Topics:**

- [Wi-Fi Direct Overview](#)
- [Configure Your Wi-Fi Direct Network Using the Push Button Method](#)

## Enable/Disable Wireless LAN

**Related Models:** ADS-4700W/ADS-4900W

1. Press  [Settings] > [Network] > [WLAN (Wi-Fi)] > [WLAN Enable].
2. Do one of the following:
  - To enable Wi-Fi, select [On].
  - To disable Wi-Fi, select [Off].
3. Press .



### Related Information

- [Wireless Network Settings](#)

## Wireless LAN Error Codes

**Related Models:** ADS-4700W/ADS-4900W

If the LCD displays an error message, locate the message in the table and use the recommended solution to correct the error.

Error Code	Problem and Recommended Solutions
TS-01	<p>The WLAN (Wi-Fi) is not enabled.</p> <p>Check the following points and try to set up your wireless connection again:</p> <ul style="list-style-type: none"> <li>• Enable the WLAN setting on your machine.</li> <li>• If a network cable is connected to your machine, disconnect it.</li> </ul>
TS-02	<p>The wireless router/access point cannot be detected.</p> <p>Check the following points and try to set up your wireless connection again:</p> <ul style="list-style-type: none"> <li>• Make sure the wireless router/access point is on.</li> <li>• Temporarily place your machine closer to the wireless router/access point when you are configuring the wireless settings.</li> <li>• If your wireless router/access point is using MAC address filtering, confirm that the MAC address of the machine is allowed in the filter.</li> <li>• If you manually entered the Network Name (SSID) and security information (authentication method/encryption method), the information may be incorrect. Check the Network Name and security information again and re-enter the correct information.</li> <li>• Restart your wireless router/access point. If you cannot find the Network Name (SSID) and security information, see the documentation provided with your wireless router/access point, or contact the router manufacturer, your system administrator, or Internet service provider.</li> </ul>
TS-03	<p>The wireless enterprise network and security settings you entered may be incorrect.</p> <p>Check the following points and try to set up your wireless connection again:</p> <ul style="list-style-type: none"> <li>• Verify the following information: <ul style="list-style-type: none"> <li>- Network Name (SSID) you selected to configure your machine.</li> <li>- Security information you selected to configure your machine (such as the authentication method, encryption method, or User ID).</li> </ul> </li> </ul> <p>If you still cannot find the Network Name (SSID) and security information, see the documentation provided with your wireless router/access point, or contact the router manufacturer, your system administrator, or Internet service provider.</p>
TS-04	<p>Your machine does not support the authentication and encryption methods used by the selected wireless router/access point.</p> <p>For infrastructure mode (Most common)</p> <p>Change the authentication and encryption methods of the wireless router/access point. Your machine supports the following authentication and encryption methods:</p> <ul style="list-style-type: none"> <li>• WPA-Personal: <ul style="list-style-type: none"> <li>TKIP / AES</li> </ul> </li> <li>• WPA2-Personal: <ul style="list-style-type: none"> <li>TKIP / AES</li> </ul> </li> <li>• WPA3-Personal: <ul style="list-style-type: none"> <li>AES</li> </ul> </li> <li>• Open: <ul style="list-style-type: none"> <li>WEP / NONE (without encryption)</li> </ul> </li> <li>• Shared key: <ul style="list-style-type: none"> <li>WEP</li> </ul> </li> </ul> <p>If your issue is not solved, the Network Name (SSID) or security settings you entered may be incorrect. Check that all wireless network settings are correct for your network.</p>



Error Code	Problem and Recommended Solutions
TS-05	<p>The Network Name (SSID) and Network Key (Password) are incorrect.</p> <p>Check the following points and try to set up your wireless connection again:</p> <ul style="list-style-type: none"> <li>• Confirm the Network Name (SSID) and Network Key (Password).</li> <li>• If your Network Key contains upper-case and lower-case letters, make sure you type them correctly.</li> <li>• If you cannot find the Network Name (SSID) and security information, see the documentation provided with your wireless router/access point, or contact the router manufacturer, your system administrator, or Internet service provider.</li> <li>• If your wireless router/access point uses WEP encryption with multiple WEP keys, write down and use only the first WEP key.</li> </ul>
TS-06	<p>The wireless security information (authentication method/encryption method/Network Key (Password)) is incorrect.</p> <p>Check the following points and try to set up your wireless connection again:</p> <ul style="list-style-type: none"> <li>• Confirm the Network Key. If your Network Key contains upper-case and lower-case letters, make sure you type them correctly.</li> <li>• Confirm whether the authentication method entered and the authentication method or encryption method supported by the wireless router/access point are the same.</li> <li>• If the network key, authentication method, and encryption method have been confirmed, restart your wireless router/access point and the machine.</li> <li>• If your wireless router/access point's Stealth Mode is on, you may need to disable it to connect to the wireless network.</li> </ul> <p>If you cannot find the Network Name (SSID) and security information, see the documentation provided with your wireless router/access point, or contact the router manufacturer, your system administrator, or Internet service provider.</p>
TS-07	<p>The machine cannot detect a wireless router/access point that has WPS (Wi-Fi Protected Setup) enabled.</p> <p>Check the following points and try again:</p> <ul style="list-style-type: none"> <li>• To check if your wireless router/access point supports WPS, look for the WPS symbol displayed on the router/access point. For more information, see the documentation provided with your wireless router/access point.</li> <li>• To set up your wireless connection using WPS, you must configure both your machine and the wireless router/access point. For more information, see the user's guide.</li> <li>• If you do not know how to set up your wireless router/access point using WPS, see the documentation provided with your wireless router/access point, or contact the router manufacturer, your system administrator, or Internet service provider.</li> </ul>
TS-08	<p>Two or more wireless routers or access points that have WPS enabled are detected.</p> <p>Check the following points and try again:</p> <ul style="list-style-type: none"> <li>• Make sure that only one wireless router/access point within range has WPS enabled, and then try to connect again.</li> <li>• Try to connect again after a few minutes to avoid interference from other access points/routers.</li> </ul>



How to confirm wireless security information (SSID/authentication method/encryption method/Network Key) of your WLAN access point/router:

1. The default security settings may be provided on a label attached to the WLAN access point/router. Or the manufacturer's name or model number of the WLAN access point/router may be used as the default security settings.
2. See the documentation provided with your WLAN access point/router for information on how to find the security settings.
  - If the WLAN access point/router is set to not broadcast the SSID, the SSID will not automatically be detected. You will have to manually enter the SSID name.
  - The Network key may also be described as the Password, Security Key, or Encryption Key.

If you do not know the SSID and wireless security settings of your WLAN access point/router or how to change the configuration, see the documentation provided with your WLAN access point/router, ask the manufacturer of your access point/router or ask your Internet provider or network administrator.

---



## Related Information

- [Wireless Network Settings](#)
-

## Network Features

- [Configure and Operate LDAP Search](#)
- [Synchronise Time with the SNTP Server Using Web Based Management](#)
- [Reset the Network Settings to Factory Default](#)

## Configure and Operate LDAP Search

**Related Models:** ADS-4700W/ADS-4900W

The LDAP feature allows you to search for information, such as email addresses on your server. When you use the Scan to Email server feature, you can use the LDAP search to find email addresses.



- The LDAP feature does not support simplified Chinese, traditional Chinese, or Korean.
- The LDAP feature supports LDAPv3.



### Related Information

- [Network Features](#)
  - [Change LDAP Configuration Using Web Based Management](#)
  - [Perform an LDAP Search Using Your Machine's Control Panel](#)

## Change LDAP Configuration Using Web Based Management

**Related Models:** ADS-4700W/ADS-4900W

Use Web Based Management to configure your LDAP settings in a web browser.

1. Start your web browser.
2. Type "https://machine's IP address" in your browser's address bar (where "machine's IP address" is the machine's IP address).

For example:

https://192.168.1.2


3. If required, type the password in the **Login** field, and then click **Login**.



The default password to manage this machine's settings is located on the back of the machine and marked "Pwd".

4. Go to the navigation menu, and then click **Network > Network > Protocol**.



Start from , if the navigation menu is not shown on the left side of the screen.

5. Select the **LDAP** check box, and then click **Submit**.
6. Restart your Brother machine to activate the configuration.
7. On your computer, in Web Based Management, go to the navigation menu, and then click **Address Book > LDAP**.

- **Attribute of E-mail**
- **LDAP Server Address**
- **SSL/TLS**
- **Port** (The default port number is 389.)
- **Search Root**
- **Authentication**
- **Username**

This selection will be available depending on the authentication method used.

- **Password**

This selection will be available depending on the authentication method used.



- If the LDAP server supports Kerberos authentication, we recommend selecting Kerberos for the Authentication settings. It provides strong authentication between the LDAP server and your machine.
- You must configure the SNTP protocol (network time server), or you must set the date, time and time zone correctly on the control panel for Kerberos authentication.

- **Kerberos Server Address**

This selection will be available depending on the authentication method used.

- **Timeout for LDAP**
- **Attribute of Name (Search Key)**
- **Attribute of E-mail**
- **Optional Attribute**

8. When finished, click **Submit**. Make sure the **Status** field reads **On**.



### Related Information

- [Configure and Operate LDAP Search](#)

---

**Related Topics:**

- [Access Web Based Management](#)
  - [Install the Self-signed Certificate for Windows users with Administrator Rights](#)
  - [Synchronise Time with the SNTP Server Using Web Based Management](#)
-


## Perform an LDAP Search Using Your Machine's Control Panel

**Related Models:** ADS-4700W/ADS-4900W

After you configure LDAP settings, you can use the LDAP search feature to find email addresses to use for scanning to Email Server.



- The LDAP feature supports LDAPv3.
- You may need to use Kerberos Authentication or Simple Authentication to connect to your LDAP server, depending on the security policy set by your network administrator.
- You must configure the SNTP protocol (network time server), or you must set the date, time and time zone correctly on the control panel for Kerberos authentication.

1. Press  to search.
2. Enter the initial characters for your search using the LCD.
3. Press [OK].

The LDAP search result will be shown on the LCD; the  icon appears before the email (local) address book search results.

- If there is no match on the server or the email (local) address book, the LCD displays [Results cannot be found.] for about 60 seconds.
4. Press ▲ or ▼ to display the name you want.
  5. Press the name.  
To view the details of the name, press [Details].
  6. If the result includes more than one email address, the machine will prompt you to select just one. Press [Apply].
  7. Load your document, press [Next], and then press [Start].



### Related Information

- [Configure and Operate LDAP Search](#)

#### Related Topics:

- [Synchronise Time with the SNTP Server Using Web Based Management](#)

## Synchronise Time with the SNTP Server Using Web Based Management

The Simple Network Time Protocol (SNTP) is used to synchronise the time used by the machine for authentication with the SNTP time server. (This is not the time displayed on the machine's LCD. (ADS-4700W/ ADS-4900W)) You can automatically or manually synchronise the machine's time with the Coordinated Universal Time (UTC) provided by the SNTP time server.

- [Configure Date and Time Using Web Based Management](#)
- [Configure the SNTP Protocol Using Web Based Management](#)
- [Change LDAP Configuration Using Web Based Management](#)
- [Perform an LDAP Search Using Your Machine's Control Panel](#)



## Configure Date and Time Using Web Based Management

Configure the date and time to synchronise the time used by the machine with the SNTP time server.

This feature is not available in some countries.

1. Start your web browser.
2. Type "https://machine's IP address" in your browser's address bar (where "machine's IP address" is the machine's IP address).

For example:

https://192.168.1.2

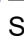
3. If required, type the password in the **Login** field, and then click **Login**.



The default password to manage this machine's settings is located on the back of the machine and marked "Pwd".

4. Go to the navigation menu, and then click **Administrator** > **Date&Time**.



Start from , if the navigation menu is not shown on the left side of the screen.

5. Select the time difference between your location and UTC from the **Time Zone** drop-down list.

For example, the time zone for Eastern Time in the USA and Canada is UTC-05:00.

6. Select the **Synchronize with SNTP server** check box.
7. Click **Submit**.



You can also configure date and time manually.



### Related Information

- [Synchronise Time with the SNTP Server Using Web Based Management](#)

#### Related Topics:

- [Access Web Based Management](#)

## Configure the SNTP Protocol Using Web Based Management

Configure the SNTP protocol to synchronise the time the machine uses for authentication with the time kept by the SNTP time server.

This feature is not available in some countries.

1. Start your web browser.
2. Type "https://machine's IP address" in your browser's address bar (where "machine's IP address" is the machine's IP address).

For example:

https://192.168.1.2


3. If required, type the password in the **Login** field, and then click **Login**.



The default password to manage this machine's settings is located on the back of the machine and marked "Pwd".

4. Go to the navigation menu, and then click **Network > Network > Protocol**.



Start from , if the navigation menu is not shown on the left side of the screen.

5. Select the **SNTP** check box to activate the settings.
6. Click **Submit**.
7. Click **Yes** to restart your Brother machine.
8. Next to the SNTP check box, click **Advanced Settings** and configure your settings as needed.

Option	Description
<b>Status</b>	Displays whether the SNTP protocol is enabled or disabled.
<b>Synchronization Status</b>	Confirm the latest synchronisation status.
<b>SNTP Server Method</b>	Select <b>AUTO</b> or <b>STATIC</b> . <ul style="list-style-type: none"><li>• <b>AUTO</b> If you have a DHCP server in your network, the SNTP server will obtain the address from that server automatically.</li><li>• <b>STATIC</b> Type the address you want to use.</li></ul>
<b>Primary SNTP Server Address</b>	Type the server address (up to 64 characters).
<b>Secondary SNTP Server Address</b>	The secondary SNTP server address is used as a backup to the primary SNTP server address. If the primary server is unavailable, the machine will contact the secondary SNTP server.
<b>Primary SNTP Server Port</b>	Type the port number (1-65535).
<b>Secondary SNTP Server Port</b>	The secondary SNTP server port is used as a backup to the primary SNTP server port. If the primary port is unavailable, the machine will contact the secondary SNTP port.
<b>Synchronization Interval</b>	Type the number of hours between server synchronisation attempts (1-168 hours).

9. Click **Submit**.



## Related Information

- [Synchronise Time with the SNTP Server Using Web Based Management](#)

### **Related Topics:**

- [Access Web Based Management](#)
-

## Reset the Network Settings to Factory Default

You can use your machine's control panel or Web Based Management to reset the machine's network settings to its default factory settings. This resets all information, such as the password and IP address.



- This feature restores all wired and wireless network (supported models only) settings to the factory settings.
- (ADS-4300N) You can only reset the scan server to its factory settings using Web Based Management.

>> [ADS-4300N](#)

>> [ADS-4700W/ADS-4900W](#)

### ADS-4300N

1. Start your web browser.
2. Type "https://machine's IP address" in your browser's address bar (where "machine's IP address" is the machine's IP address).

For example:

https://192.168.1.2

3. If required, type the password in the **Login** field, and then click **Login**.



The default password to manage this machine's settings is located on the back of the machine and marked "Pwd".

4. Go to the navigation menu, and then click **Administrator** > **Reset Menu**.



Start from ☰, if the navigation menu is not shown on the left side of the screen.

5. Click **Reset** under **Network**.

The reset confirmation message is displayed.

6. Click **Yes** to restart your machine.

### ADS-4700W/ADS-4900W

1. Press  [Settings] > [Network] > [Network Reset].

The reset confirmation message is displayed.

2. Press [OK] for two seconds.

The machine will restart.



### Related Information

- [Network Features](#)

## Brother Management Tools

Use one of Brother's management tools to configure your Brother machine's network settings.  
Go to your model's **Downloads** page at [support.brother.com](http://support.brother.com) to download the tools.



### Related Information

- [Network](#)
-

## Security

- [Before Using Network Security Features](#)
- [Configure Certificates for Device Security](#)
- [Use SSL/TLS](#)
- [Use SNMPv3](#)
- [Use IEEE 802.1x Authentication for a Wired or a Wireless Network](#)
- [Use Active Directory Authentication](#)
- [Use LDAP Authentication](#)
- [Use Secure Function Lock 3.0](#)
- [Send an Email Securely](#)
- [Lock the Machine Settings from the Control Panel](#)

## Before Using Network Security Features

Your machine employs some of the latest network security and encryption protocols available today. These network features can be integrated into your overall network security plan to help protect your data and prevent unauthorised access to the machine.



---

We recommend disabling the FTP protocol. Accessing the machine using this protocol is not secure. However, note that if you disable FTP, the Scan to FTP feature will be disabled.

---



### Related Information

- [Security](#)
-

## Configure Certificates for Device Security

You must configure a certificate to manage your networked machine securely using SSL/TLS. You must use Web Based Management to configure a certificate.

- [Supported Security Certificate Features](#)
- [Step by Step Guide for Creating and Installing a Certificate](#)
- [Create a Self-signed Certificate](#)
- [Create CSR and Install a Certificate from a Certificate Authority \(CA\)](#)
- [Import and Export the Certificate and Private Key](#)
- [Import and Export a CA Certificate](#)
- [Manage Multiple Certificates](#)



## Supported Security Certificate Features

Your machine supports the use of multiple security certificates, which allows secure authentication and communication with the machine. The following security certificate features can be used with the machine:

- SSL/TLS communication
- IEEE 802.1x authentication

The Brother machine supports the following:

- Pre-installed certificate

Your machine has a pre-installed self-signed certificate. This certificate enables you to use SSL/TLS communication without creating or installing a different certificate.



The pre-installed self-signed certificate protects your communication up to a certain level. We recommend using a certificate that is issued by a trusted organisation for better security.

- Self-signed certificate

This scan server issues its own certificate. Using this certificate, you can easily use the SSL/TLS communication without creating or installing a different certificate from a CA.

- Certificate from a Certificate Authority (CA)

There are two methods for installing a certificate from a CA. If you already have a certificate from a CA or if you want to use a certificate from an external trusted CA:

- When using a Certificate Signing Request (CSR) from this scan server.
- When importing a certificate and a private key.

- Certificate Authority (CA) Certificate

To use a CA certificate that identifies the CA and owns its private key, you must import that CA certificate from the CA before configuring the security features of the Network.



- If you are going to use SSL/TLS communication, we recommend contacting your system administrator first.
- When you reset the scan server back to its default factory settings, the certificate and the private key that are installed will be deleted. If you want to keep the same certificate and the private key after resetting the scan server, export them before resetting, and then reinstall them.



### Related Information

- [Configure Certificates for Device Security](#)

#### Related Topics:

- [Configure IEEE 802.1x Authentication for a Wired or a Wireless Network Using Web Based Management \(Web Browser\)](#)

## Step by Step Guide for Creating and Installing a Certificate

There are two options when choosing a security certificate: use a self-signed certificate or use a certificate from a Certificate Authority (CA).

### Option 1

#### Self-Signed Certificate

1. Create a self-signed certificate using Web Based Management.
2. Install the self-signed certificate on your computer.

### Option 2

#### Certificate from a CA

1. Create a Certificate Signing Request (CSR) using Web Based Management.
2. Install the certificate issued by the CA on your Brother machine using Web Based Management.
3. Install the certificate on your computer.



#### Related Information

- [Configure Certificates for Device Security](#)

## Create a Self-signed Certificate

1. Start your web browser.
2. Type "https://machine's IP address" in your browser's address bar (where "machine's IP address" is the machine's IP address).

For example:

https://192.168.1.2

3. If required, type the password in the **Login** field, and then click **Login**.



The default password to manage this machine's settings is located on the back of the machine and marked "Pwd".

4. Go to the navigation menu, and then click **Network > Security > Certificate**.



Start from ☰, if the navigation menu is not shown on the left side of the screen.

5. Click **Create Self-Signed Certificate**.
6. Enter a **Common Name** and a **Valid Date**.
  - The length of the **Common Name** is less than 64 bytes. Enter an identifier, such as an IP address, node name, or domain name to use when accessing this machine through SSL/TLS communication. The node name is displayed by default.
  - A warning will appear if you use the IPPS or HTTPS protocol and enter a different name in the URL than the **Common Name** that was used for the self-signed certificate.
7. Select your setting from the **Public Key Algorithm** drop-down list. The default setting is **RSA(2048bit)**.
8. Select your setting from the **Digest Algorithm** drop-down list. The default setting is **SHA256**.
9. Click **Submit**.



### Related Information

- [Configure Certificates for Device Security](#)

#### Related Topics:

- [Access Web Based Management](#)

## Create CSR and Install a Certificate from a Certificate Authority (CA)

If you already have a certificate from an external trusted CA, you can store the certificate and private key on the machine and manage them by importing and exporting. If you do not have a certificate from an external trusted CA, create a Certificate Signing Request (CSR), send it to a CA for authentication, and install the returned certificate on your machine.

- [Create a Certificate Signing Request \(CSR\)](#)
- [Install a Certificate on Your Machine](#)

## Create a Certificate Signing Request (CSR)

A Certificate Signing Request (CSR) is a request sent to a Certificate Authority (CA) to authenticate the credentials contained within the certificate.

We recommend installing a Root Certificate from the CA on your computer before creating the CSR.

1. Start your web browser.
2. Type "https://machine's IP address" in your browser's address bar (where "machine's IP address" is the machine's IP address).

For example:

https://192.168.1.2


3. If required, type the password in the **Login** field, and then click **Login**.



The default password to manage this machine's settings is located on the back of the machine and marked "Pwd".

4. Go to the navigation menu, and then click **Network > Security > Certificate**.



Start from , if the navigation menu is not shown on the left side of the screen.

5. Click **Create CSR**.
6. Type a **Common Name** (required) and add other information about your **Organization** (optional).



- Your company details are required so that a CA can confirm your identity and verify it to the outside world.
- The length of the **Common Name** must be less than 64 bytes. Enter an identifier, such as an IP address, node name, or domain name to use when accessing this machine through SSL/TLS communication. The node name is displayed by default. The **Common Name** is required.
- A warning will appear if you type a different name in the URL than the Common Name that was used for the certificate.
- The length of the **Organization**, the **Organization Unit**, the **City/Locality** and the **State/Province** must be less than 64 bytes.
- The **Country/Region** should be a two-character ISO 3166 country code.
- If you are configuring an X.509v3 certificate extension, select the **Configure extended partition** check box, and then select **Auto (Register IPv4)** or **Manual**.

7. Select your setting from the **Public Key Algorithm** drop-down list. The default setting is **RSA(2048bit)**.
8. Select your setting from the **Digest Algorithm** drop-down list. The default setting is **SHA256**.
9. Click **Submit**.

The CSR appears on your screen. Save the CSR as a file or copy and paste it into an online CSR form offered by a Certificate Authority.

10. Click **Save**.



- Follow your CA's policy regarding the method to send a CSR to your CA.
- If you are using the Enterprise root CA of Windows Server 2008/2008 R2/2012/2012 R2/2016/2019, we recommend using the Web Server for the certificate template to securely create the Client Certificate. If you are creating a Client Certificate for an IEEE 802.1x environment with EAP-TLS authentication, we recommend using User for the certificate template.



### Related Information

- [Create CSR and Install a Certificate from a Certificate Authority \(CA\)](#)

---

**Related Topics:**

- [Access Web Based Management](#)
-

## Install a Certificate on Your Machine

When you receive a certificate from a CA, follow the steps below to install it into the scan server:

Only a certificate issued with your machine's CSR can be installed onto the machine. When you want to create another CSR, make sure that the certificate is installed before creating another CSR. Create another CSR only after installing the certificate on the machine. Otherwise, the CSR you create before installing will be invalid.

1. Start your web browser.
2. Type "https://machine's IP address" in your browser's address bar (where "machine's IP address" is the machine's IP address).

For example:

https://192.168.1.2


3. If required, type the password in the **Login** field, and then click **Login**.



The default password to manage this machine's settings is located on the back of the machine and marked "Pwd".

4. Go to the navigation menu, and then click **Network > Security > Certificate**.



Start from , if the navigation menu is not shown on the left side of the screen.

5. Click **Install Certificate**.
6. Browse to the file that contains the certificate issued by the CA, and then click **Submit**.

The certificate has been created and saved in your machine's memory successfully.

To use SSL/TLS communication, the Root Certificate from the CA must be installed on your computer. Contact your network administrator.



### Related Information

- [Create CSR and Install a Certificate from a Certificate Authority \(CA\)](#)

#### Related Topics:

- [Access Web Based Management](#)

## Import and Export the Certificate and Private Key

Store the certificate and private key on your machine and manage them by importing and exporting them.

- [Import a Certificate and Private Key](#)
- [Export the Certificate and Private Key](#)



## Import a Certificate and Private Key

1. Start your web browser.
2. Type "https://machine's IP address" in your browser's address bar (where "machine's IP address" is the machine's IP address).

For example:

https://192.168.1.2

3. If required, type the password in the **Login** field, and then click **Login**.



The default password to manage this machine's settings is located on the back of the machine and marked "Pwd".

4. Go to the navigation menu, and then click **Network > Security > Certificate**.



Start from ☰, if the navigation menu is not shown on the left side of the screen.

5. Click **Import Certificate and Private Key**.
6. Browse to the file you want to import.
7. Type the password if the file is encrypted, and then click **Submit**.

The certificate and private key are imported to your machine.



### Related Information

- [Import and Export the Certificate and Private Key](#)

#### Related Topics:

- [Access Web Based Management](#)

## Export the Certificate and Private Key

1. Start your web browser.
2. Type "https://machine's IP address" in your browser's address bar (where "machine's IP address" is the machine's IP address).

For example:

https://192.168.1.2

3. If required, type the password in the **Login** field, and then click **Login**.



---

The default password to manage this machine's settings is located on the back of the machine and marked "Pwd".

---

4. Go to the navigation menu, and then click **Network > Security > Certificate**.



---

Start from ☰, if the navigation menu is not shown on the left side of the screen.

---

5. Click **Export** shown with **Certificate List**.
6. Enter the password if you want to encrypt the file.  
If a blank password is used, the output is not encrypted.
7. Enter the password again for confirmation, and then click **Submit**.
8. Click **Save**.

The certificate and private key are exported to your computer.

You can also import the certificate to your computer.



### Related Information

- [Import and Export the Certificate and Private Key](#)

#### Related Topics:

- [Access Web Based Management](#)
-

## Import and Export a CA Certificate

You can import, export, and store CA certificates on your Brother machine.

- [Import a CA Certificate](#)
- [Export a CA Certificate](#)

## Import a CA Certificate

1. Start your web browser.
2. Type "https://machine's IP address" in your browser's address bar (where "machine's IP address" is the machine's IP address).

For example:

https://192.168.1.2

3. If required, type the password in the **Login** field, and then click **Login**.



---

The default password to manage this machine's settings is located on the back of the machine and marked "Pwd".

---

4. Go to the navigation menu, and then click **Network > Security > CA Certificate**.



---

Start from ☰, if the navigation menu is not shown on the left side of the screen.

---

5. Click **Import CA Certificate**.
6. Browse to the file you want to import.
7. Click **Submit**.



### Related Information

- [Import and Export a CA Certificate](#)

#### Related Topics:

- [Access Web Based Management](#)
-

## Export a CA Certificate

1. Start your web browser.
2. Type "https://machine's IP address" in your browser's address bar (where "machine's IP address" is the machine's IP address).

For example:

https://192.168.1.2

3. If required, type the password in the **Login** field, and then click **Login**.



---

The default password to manage this machine's settings is located on the back of the machine and marked "Pwd".

---

4. Go to the navigation menu, and then click **Network > Security > CA Certificate**.



---

Start from ☰, if the navigation menu is not shown on the left side of the screen.

---

5. Select the certificate you want to export and click **Export**.
6. Click **Submit**.
7. Click ▼ next to **Save**, and then specify the location where you want to save the file.



### Related Information

- [Import and Export a CA Certificate](#)

#### Related Topics:

- [Access Web Based Management](#)
-

## Manage Multiple Certificates

The multiple certificate feature allows you to use Web Based Management to manage each certificate installed on your machine. In Web Based Management, navigate to the **Certificate** or **CA Certificate** screen to view certificate content, delete, or export your certificates.

	Maximum Number of Certificates Stored on Brother Machine
Self-signed Certificate or Certificate Issued by a CA	5
CA Certificate	7

We recommend storing fewer certificates than allowed, reserving an empty spot in case of certificate expiration. When a certificate expires, import a new certificate into the reserved spot, and then delete the expired certificate. This ensures that you avoid configuration failure.



- When you use HTTPS/IPPS or IEEE 802.1x, you must select which certificate you are using.
- When you use SSL for SMTP communications, you do not have to choose the certificate. The necessary certificate will be chosen automatically.



### Related Information

- [Configure Certificates for Device Security](#)

## Use SSL/TLS

- [Introduction to SSL/TLS](#)
- [Manage Your Network Machine Securely Using SSL/TLS](#)
- [Send an Email Securely Using SSL/TLS](#)

## Introduction to SSL/TLS

Secure Socket Layer (SSL) or Transport Layer Security (TLS) is an effective method of protecting data sent over a local or wide area network (LAN or WAN). It works by encrypting data, such as a scan job, sent over a network, so anyone trying to capture it will not be able to read it.

SSL/TLS can be configured on both wired and wireless networks and will work with other forms of security such as WPA keys and firewalls.



### Related Information

- [Use SSL/TLS](#)
  - [Brief History of SSL/TLS](#)
  - [Benefits of Using SSL/TLS](#)



## Brief History of SSL/TLS

SSL/TLS was originally created to secure web traffic information, particularly data sent between web browsers and servers. For example, when you use Internet Explorer for Internet Banking and you see https:// and the little padlock icon in the web browser, you are using SSL. SSL grew to work with additional applications, such as Telnet, printer, and FTP software, in order to become a universal solution for online security. Its original design intentions are still being used today by many online retailers and banks to secure sensitive data, such as credit card numbers, customer records, etc.

SSL/TLS uses extremely high levels of encryption and is trusted by banks all over the world.



### Related Information

- [Introduction to SSL/TLS](#)
-

## Benefits of Using SSL/TLS

The primary benefit of using SSL/TLS is to guarantee secure scanning over an IP network by restricting unauthorised users from reading data sent to the machine. SSL's key selling point is that it can be used to scan confidential data securely. For example, an HR department in a large company may be scanning wage slips on a regular basis. Without encryption, the data contained on these wages slips can be read by other network users. However, with SSL/TLS, anyone trying to capture the data will see a confusing page of code and not the actual wage slip.



### Related Information

- [Introduction to SSL/TLS](#)

## Manage Your Network Machine Securely Using SSL/TLS

- [Configure a Certificate for SSL/TLS and Available Protocols](#)
- [Access Web Based Management Using SSL/TLS](#)
- [Install the Self-signed Certificate for Windows users with Administrator Rights](#)
- [Configure Certificates for Device Security](#)

## Configure a Certificate for SSL/TLS and Available Protocols

Configure a certificate on your machine using Web Based Management before you use SSL/TLS communication.

1. Start your web browser.
2. Type "https://machine's IP address" in your browser's address bar (where "machine's IP address" is the machine's IP address).

For example:

https://192.168.1.2


3. If required, type the password in the **Login** field, and then click **Login**.



The default password to manage this machine's settings is located on the back of the machine and marked "Pwd".

4. Go to the navigation menu, and then click **Network > Network > Protocol**.



Start from , if the navigation menu is not shown on the left side of the screen.

5. Click **HTTP Server Settings**.
6. Select the certificate you want to configure from the **Select the Certificate** drop-down list.
7. Click **Submit**.
8. Click **Yes** to restart your scan server.



### Related Information

- [Manage Your Network Machine Securely Using SSL/TLS](#)

#### Related Topics:

- [Access Web Based Management](#)

## Access Web Based Management Using SSL/TLS

To manage your network machine securely, you must use management utilities with security protocols.



- To use HTTPS protocol, HTTPS must be enabled on your machine. The HTTPS protocol is enabled by default.
- You can change the HTTPS protocol settings using the Web Based Management screen.

1. Start your web browser.
2. Type "https://machine's IP address" in your browser's address bar (where "machine's IP address" is the machine's IP address).

For example:

https://192.168.1.2

3. If required, type the password in the **Login** field, and then click **Login**.



The default password to manage this machine's settings is located on the back of the machine and marked "Pwd".

4. You can now access the machine using HTTPS.



### Related Information



- [Manage Your Network Machine Securely Using SSL/TLS](#)

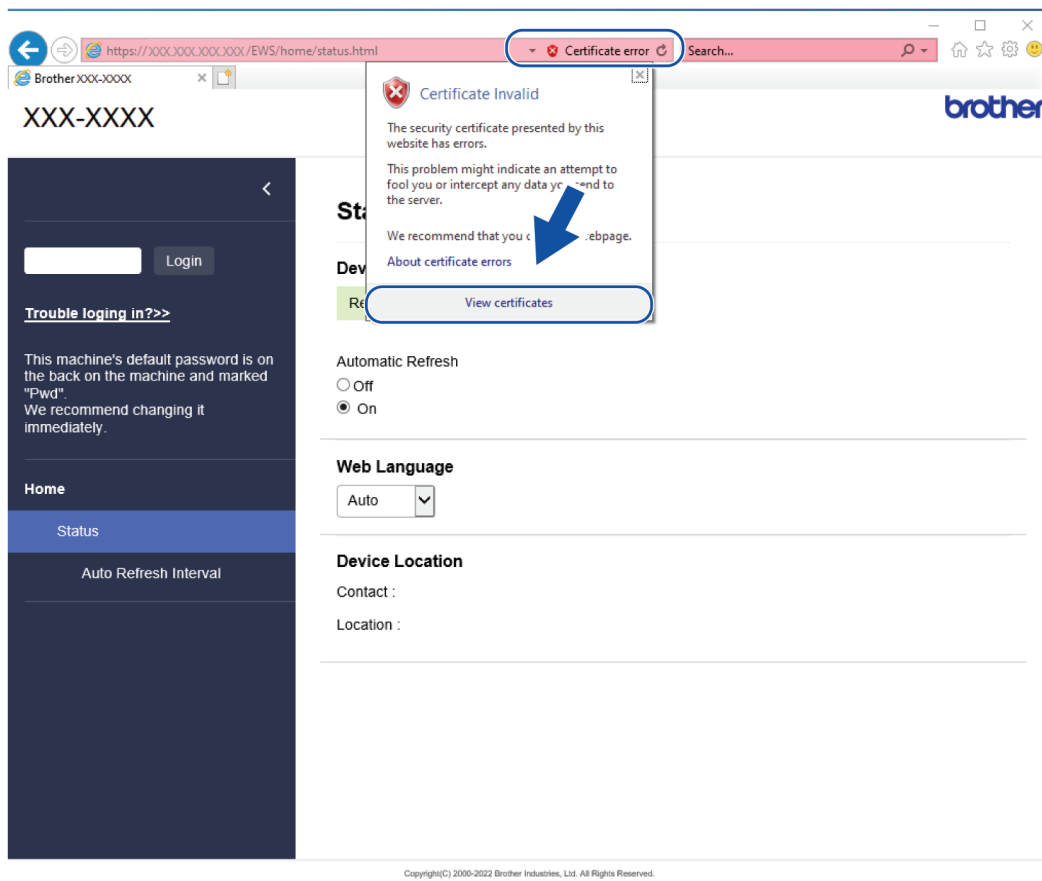
#### Related Topics:

- [Access Web Based Management](#)

## Install the Self-signed Certificate for Windows users with Administrator Rights

The following steps are for Microsoft Internet Explorer. If you use another web browser, consult the documentation for your web browser to get help with installing certificates.

1. Do one of the following:
  - Windows 10, Windows Server 2016, and Windows Server 2019  
Click  > **Windows Accessories**.
  - Windows 8.1  
Right-click the  (**Internet Explorer**) icon on the taskbar.
  - Windows Server 2012 and Windows Server 2012 R2  
Click  (**Internet Explorer**), and then right-click the  (**Internet Explorer**) icon that appears on the taskbar.
  - Windows 7 and Windows Server 2008  
Click  (**Start**) > **All Programs**.
2. Right-click **Internet Explorer**, and then click **Run as administrator**.  
 If the **More** option appears, click **More**.  
If the **User Account Control** screen appears, click **Yes**.
3. Type "https://machine's IP address" in your browser's address bar to access your machine (where "machine's IP address" is the machine's IP address or the node name that you assigned for the certificate).
4. Click **More information**.
5. Click **Go on to the webpage (not recommended)**.
6. Click **Certificate error**, and then click **View certificates**.



7. Click **Install Certificate....**
8. When the **Certificate Import Wizard** appears, click **Next**.
9. Select **Place all certificates in the following store**, and then click **Browse....**
10. Select **Trusted Root Certification Authorities**, and then click **OK**.
11. Click **Next**.
12. Click **Finish**.
13. Click **Yes**, if the fingerprint (thumbprint) is correct.
14. Click **OK**.



## Related Information

- [Manage Your Network Machine Securely Using SSL/TLS](#)

## Use SNMPv3

- [Manage Your Network Machine Securely Using SNMPv3](#)



## Manage Your Network Machine Securely Using SNMPv3

The Simple Network Management Protocol version 3 (SNMPv3) provides user authentication and data encryption to manage network devices securely. To manage your network machine securely, we recommend using the SNMPv3 protocol when you use BRAdmin Professional 4.

1. Start your web browser.
2. Type "https://machine's IP address" in your browser's address bar (where "machine's IP address" is the machine's IP address).

For example:

https://192.168.1.2


3. If required, type the password in the **Login** field, and then click **Login**.





The default password to manage this machine's settings is located on the back of the machine and marked "Pwd".

4. Go to the navigation menu, and then click **Network > Network > Protocol**.



Start from , if the navigation menu is not shown on the left side of the screen.

5. Make sure the **SNMP** setting is enabled, and then click **Advanced Settings**.
6. Configure the SNMP settings. There are three options for **SNMP Mode of Operation**.

Option	Description
<b>SNMP v1/v2c read-write access</b>	The scan server uses version 1 and version 2c of the SNMP protocol. You can use all Brother applications in this mode. However, it is not secure since it will not authenticate the user, and data will not be encrypted.
<b>SNMPv3 read-write access and v1/v2c read-only access</b>	The scan server uses the read-write access of version 3 and the read-only access of version 1 and version 2c of the SNMP protocol.  When you use <b>SNMPv3 read-write access and v1/v2c read-only access</b> mode, some Brother applications (such as BRAdmin Light) that access the scan server do not work correctly since they authorize the read-only access of version 1 and version 2c. If you want to use all applications, we recommend using the <b>SNMP v1/v2c read-write access</b> mode.
<b>SNMPv3 read-write access</b>	The scan server uses version 3 of the SNMP protocol. If you want to manage the scan server securely, use this mode.  When you use the <b>SNMPv3 read-write access</b> mode, note the following: <ul style="list-style-type: none"><li>• You can use only BRAdmin Professional or Web Based Management to manage the scan server.</li><li>• Except for BRAdmin Professional, all applications that use SNMPv1/v2c will be restricted. To allow the use of SNMPv1/v2c applications, use the <b>SNMPv3 read-write access and v1/v2c read-only access</b> or <b>SNMP v1/v2c read-write access</b> mode.</li></ul>

7. Click **Submit**.



### Related Information

- [Use SNMPv3](#)

---

**Related Topics:**

- [Access Web Based Management](#)
-

## Use IEEE 802.1x Authentication for a Wired or a Wireless Network

- [What Is IEEE 802.1x Authentication?](#)
- [Configure IEEE 802.1x Authentication for a Wired or a Wireless Network Using Web Based Management \(Web Browser\)](#)
- [IEEE 802.1x Authentication Methods](#)

## What Is IEEE 802.1x Authentication?

IEEE 802.1x is an IEEE standard for wired and wireless networks that limits access from unauthorised network devices. Your Brother machine (supplicant) sends an authentication request to a RADIUS server (Authentication server) through your access point or HUB. After your request has been verified by the RADIUS server, your machine can access the network.



### Related Information

- [Use IEEE 802.1x Authentication for a Wired or a Wireless Network](#)
-

## Configure IEEE 802.1x Authentication for a Wired or a Wireless Network Using Web Based Management (Web Browser)

- If you configure your machine using EAP-TLS authentication, you must install the client certificate issued by a CA before you start configuration. Contact your network administrator about the client certificate. If you have installed more than one certificate, we recommend writing down the certificate name you want to use.
- Before you verify the server certificate, you must import the CA certificate issued by the CA that signed the server certificate. Contact your network administrator or your Internet Service Provider (ISP) to confirm whether a CA certificate import is necessary.

1. Start your web browser.
2. Type "https://machine's IP address" in your browser's address bar (where "machine's IP address" is the machine's IP address).

For example:

https://192.168.1.2

3. If required, type the password in the **Login** field, and then click **Login**.



The default password to manage this machine's settings is located on the back of the machine and marked "Pwd".

4. Go to the navigation menu, and then click **Network**.



Start from ☰, if the navigation menu is not shown on the left side of the screen.

5. Do one of the following:
  - For the wired network  
Click **Wired** > **Wired 802.1x Authentication**.
  - For the wireless network  
Click **Wireless** > **Wireless (Enterprise)**.
6. Configure the IEEE 802.1x authentication settings.



- To enable IEEE 802.1x authentication for wired networks, select **Enabled** for **Wired 802.1x status** on the **Wired 802.1x Authentication** page.
- If you are using **EAP-TLS** authentication, you must select the client certificate installed (shown with certificate name) for verification from the **Client Certificate** drop-down list.
- If you select **EAP-FAST**, **PEAP**, **EAP-TTLS**, or **EAP-TLS** authentication, select the verification method from the **Server Certificate Verification** drop-down list. Verify the server certificate using the CA certificate, imported to the machine in advance, issued by the CA that signed the server certificate.

Select one of the following verification methods from the **Server Certificate Verification** drop-down list:

Option	Description
<b>No Verification</b>	The server certificate can always be trusted. The verification is not performed.
<b>CA Cert.</b>	The verification method to check the CA reliability of the server certificate, using the CA certificate issued by the CA that signed the server certificate.

---

Option	Description
<b>CA Cert. + ServerID</b>	The verification method to check the common name <sup>1</sup> value of the server certificate, in addition to the CA reliability of the server certificate.

---

7. When finished with configuration, click **Submit**.



### Related Information

- [Use IEEE 802.1x Authentication for a Wired or a Wireless Network](#)

#### Related Topics:

- [Access Web Based Management](#)
  - [Configure Certificates for Device Security](#)
  - [Supported Security Certificate Features](#)
- 

---

<sup>1</sup> The common name verification compares the common name of the server certificate to the character string configured for the **Server ID**. Before you use this method, contact your system administrator about the server certificate's common name and then configure **Server ID**.

## IEEE 802.1x Authentication Methods

### EAP-FAST

Extensible Authentication Protocol-Flexible Authentication via Secured Tunneling (EAP-FAST) has been developed by Cisco Systems, Inc., which uses a user ID and password for authentication, and symmetric key algorithms to achieve a tunnelled authentication process.

The Brother machine supports the following inner authentication methods:

- EAP-FAST/NONE
- EAP-FAST/MS-CHAPv2
- EAP-FAST/GTC

### PEAP

Protected Extensible Authentication Protocol (PEAP) is a version of EAP method developed by Cisco Systems, Inc., Microsoft Corporation and RSA Security. PEAP creates an encrypted Secure Sockets Layer (SSL)/Transport Layer Security (TLS) tunnel between a client and an authentication server, for sending a user ID and password. PEAP provides mutual authentication between the server and the client.

The Brother machine supports the following inner authentications:

- PEAP/MS-CHAPv2
- PEAP/GTC

### EAP-TTLS

Extensible Authentication Protocol-Tunneled Transport Layer Security (EAP-TTLS) has been developed by Funk Software and Certicom. EAP-TTLS creates a similar encrypted SSL tunnel to PEAP, between a client and an authentication server, for sending a user ID and password. EAP-TTLS provides mutual authentication between the server and the client.

Your Brother machine supports only MS-CHAPv2 as an internal authentication method.

### EAP-TLS

Extensible Authentication Protocol-Transport Layer Security (EAP-TLS) requires digital certificate authentication both at a client and an authentication server.



### Related Information

- [Use IEEE 802.1x Authentication for a Wired or a Wireless Network](#)

## Use Active Directory Authentication

**Related Models:** ADS-4700W/ADS-4900W

- [Introduction to Active Directory Authentication](#)
- [Configure Active Directory Authentication Using Web Based Management](#)
- [Log On to Change the Machine Settings Using the Machine's Control Panel \(Active Directory Authentication\)](#)



## Introduction to Active Directory Authentication

**Related Models:** ADS-4700W/ADS-4900W

Active Directory Authentication restricts the use of your machine. If Active Directory Authentication is enabled, the machine's control panel will be locked. You cannot change the machine's settings until you enter a User ID and password.

Active Directory Authentication offers the following feature:

- Obtains the email address from the Active Directory server based on your User ID, when sending scanned data to an email server.

To use this feature, select the **On** option for the **Get Mail Address** setting, and the **LDAP + kerberos** or **LDAP + NTLMv2** authentication method. Your email address will be set as the sender when the machine sends scanned data to an email server, or as the recipient if you want to send the scanned data to your email address.

You can change the Active Directory Authentication settings using Web Based Management.



### Related Information

- [Use Active Directory Authentication](#)

## Configure Active Directory Authentication Using Web Based Management

**Related Models:** ADS-4700W/ADS-4900W

Active Directory authentication supports Kerberos authentication and NTLMv2 authentication. You must configure the SNTP protocol (network time server) and DNS server configuration for authentication.

1. Start your web browser.
2. Type "https://machine's IP address" in your browser's address bar (where "machine's IP address" is the machine's IP address).

For example:

https://192.168.1.2


3. If required, type the password in the **Login** field, and then click **Login**.



The default password to manage this machine's settings is located on the back of the machine and marked "Pwd".

4. Go to the navigation menu, and then click **Administrator > Restriction Management**.



Start from , if the navigation menu is not shown on the left side of the screen.

5. In the **User Restriction Function** field, select **Active Directory Authentication**.
6. Click **Submit**.
7. Select the **Active Directory Authentication** menu.
8. Configure the following settings:

Option	Description
<b>Remember User ID</b>	Select this option to save your User ID.
<b>Active Directory Server Address</b>	Type the IP address or the server name (for example: ad.example.com) of the Active Directory Server.
<b>Active Directory Domain Name</b>	Type the Active Directory domain name.
<b>Protocol &amp; Authentication Method</b>	Select the protocol and authentication method.
<b>Get Mail Address</b>	Select this option to obtain logged on user's email address from the Active Directory server. (Available for the <b>LDAP + kerberos</b> or <b>LDAP + NTLMv2</b> authentication methods.)
<b>Get User's Home Directory</b>	Select this option to obtain your home directory as the Scan to Network destination. (Available for the <b>LDAP + kerberos</b> or <b>LDAP + NTLMv2</b> authentication methods.)
<b>SSL/TLS</b>	Set a <b>SSL/TLS</b> option to use SSL/TLS communication.
<b>LDAP Server Port</b>	Type the port number to connect the Active Directory server via LDAP. (Available for the <b>LDAP + kerberos</b> or <b>LDAP + NTLMv2</b> authentication methods.)

---

Option	Description
LDAP Search Root	Type the LDAP search root. (Available for the <b>LDAP + kerberos</b> or <b>LDAP + NTLMv2</b> authentication methods.)

---

9. Click **Submit**.

### Related Information

- [Use Active Directory Authentication](#)

#### **Related Topics:**

- [Access Web Based Management](#)
-

## Log On to Change the Machine Settings Using the Machine's Control Panel (Active Directory Authentication)

**Related Models:** ADS-4700W/ADS-4900W

When Active Directory Authentication is enabled, the machine's control panel will be locked until you enter your User ID and password on the machine's control panel.

1. On the machine's control panel, use the touchscreen to enter your User ID and Password.
2. Press [OK].

When authentication is successful, the machine's control panel will be unlocked.



### Related Information

- [Use Active Directory Authentication](#)

## Use LDAP Authentication

**Related Models:** ADS-4700W/ADS-4900W

- [Introduction to LDAP Authentication](#)
- [Configure LDAP Authentication Using Web Based Management](#)
- [Log On to Change the Machine Settings Using the Machine's Control Panel \(LDAP Authentication\)](#)

## Introduction to LDAP Authentication

**Related Models:** ADS-4700W/ADS-4900W

LDAP Authentication restricts the use of your machine. If LDAP Authentication is enabled, the machine's control panel will be locked. You cannot change the machine's settings until you enter a User ID and password.

LDAP Authentication offers the following feature:

- Obtains the email address from the LDAP server based on your User ID, when sending scanned data to an email server.

To use this feature, select the **On** option for the **Get Mail Address** setting. Your email address will be set as the sender when the machine sends scanned data to an email server, or as the recipient if you want to send the scanned data to your email address.

You can change the LDAP Authentication settings using Web Based Management.



### Related Information

- [Use LDAP Authentication](#)

## Configure LDAP Authentication Using Web Based Management

**Related Models:** ADS-4700W/ADS-4900W


1. Start your web browser.
2. Type "https://machine's IP address" in your browser's address bar (where "machine's IP address" is the machine's IP address).  
For example:  
https://192.168.1.2
3. If required, type the password in the **Login** field, and then click **Login**.



The default password to manage this machine's settings is located on the back of the machine and marked "Pwd".

4. Go to the navigation menu, and then click **Administrator > Restriction Management**.



Start from , if the navigation menu is not shown on the left side of the screen.

5. In the **User Restriction Function** field, select **LDAP Authentication**.
6. Click **Submit**.
7. Click the **LDAP Authentication** menu.
8. Configure the following settings:

Option	Description
<b>Remember User ID</b>	Select this option to save your User ID.
<b>LDAP Server Address</b>	Type the IP address or the server name (for example: ldap.example.com) of the LDAP server.
<b>Get Mail Address</b>	Select this option to obtain the logged user's email address from the LDAP server.
<b>Get User's Home Directory</b>	Select this option to obtain your home directory as the Scan to Network destination.
<b>SSL/TLS</b>	Set the <b>SSL/TLS</b> option to use SSL/TLS communication.
<b>LDAP Server Port</b>	Type the LDAP server port number.
<b>LDAP Search Root</b>	Type the LDAP search root directory.
<b>Attribute of Name (Search Key)</b>	Type the attribute you want to use as a search key.

9. Click **Submit**.



### Related Information

- [Use LDAP Authentication](#)

#### Related Topics:

- [Access Web Based Management](#)

## Log On to Change the Machine Settings Using the Machine's Control Panel (LDAP Authentication)

**Related Models:** ADS-4700W/ADS-4900W

When LDAP Authentication is enabled, the machine's control panel will be locked until you enter your User ID and password on the machine's control panel.

1. On the machine's control panel, use the touchscreen to enter your User ID and Password.
2. Press [OK].

When authentication is successful, the machine's control panel will be unlocked.



### Related Information

- [Use LDAP Authentication](#)



## Use Secure Function Lock 3.0

**Related Models:** ADS-4700W/ADS-4900W

- [Before Using Secure Function Lock 3.0](#)
- [Configure Secure Function Lock 3.0 Using Web Based Management](#)
- [Configure Public Mode for Secure Function Lock 3.0](#)
- [Configure Personal Home Screen Settings Using Web Based Management](#)
- [Register an External IC Card Reader](#)

## Before Using Secure Function Lock 3.0

**Related Models:** ADS-4700W/ADS-4900W


Secure Function Lock lets you restrict public access to the following machine operations:

- Scan to Web (supported models only)
- Scan to PC/Scan to Workflow
- Scan to Network
- Scan to FTP/SFTP
- Scan to Email Server
- Scan to SharePoint (supported models only)
- Scan to Apps (supported models only)
- Scan to USB
- Scan to WSS (Web Service Scan) (supported models only)

Secure Function Lock also prevents users from changing the default settings from the machine by limiting access to the machine's settings.

Before using the security features you should first enter an administrator password. The administrator can set up restrictions for individual users along with a user password. Carefully write down your password. If you forget it, you will have to reset the password stored in the machine. For more information about how to reset the password, contact Brother customer service.



- Only administrators can set limitations and make changes for each user.
- When Secure Function Lock is enabled, the machine is in Public Mode. To access any machine functions that have been restricted using Secure Function Lock, press , select your user name, and enter your password.



### Related Information

- [Use Secure Function Lock 3.0](#)

## Configure Secure Function Lock 3.0 Using Web Based Management

**Related Models:** ADS-4700W/ADS-4900W


1. Start your web browser.
2. Type "https://machine's IP address" in your browser's address bar (where "machine's IP address" is the machine's IP address).  
For example:  
https://192.168.1.2
3. If required, type the password in the **Login** field, and then click **Login**.



The default password to manage this machine's settings is located on the back of the machine and marked "Pwd".

4. Go to the navigation menu, and then click **Administrator > Restriction Management** or **User Restriction Function**.



Start from , if the navigation menu is not shown on the left side of the screen.

5. Select **Secure Function Lock**.
6. Click **Submit**.
7. Click the **Restricted Functions** menu.
8. In the **User List / Restricted Functions** field, type a group name or user name.
9. In the **Scan to** columns, select a check box to allow, or clear a check box to restrict, the function listed.
10. Click **Submit**.
11. Click the **User List** menu.
12. In the **User List** field, type the user name.
13. In the **PIN Number** field, type a password.



The number of characters you can set differs depending on the model.

14. In the **E-mail Address** field, type the user's email address (available only for certain models).
15. To register the user's Card ID, type the card number in the **Card ID (NFC ID)** field.
16. Select **User List / Restricted Functions** from the drop-down list for each user.
17. Select **Home Screen** from the drop-down list for each user.
18. Click **Submit**.



### Related Information

- [Use Secure Function Lock 3.0](#)

#### Related Topics:

- [Access Web Based Management](#)

## Configure Public Mode for Secure Function Lock 3.0

**Related Models:** ADS-4700W/ADS-4900W

Use the Secure Function Lock screen to set up Public Mode, which limits the functions available to public users. Public users will not need to enter a password to access the features made available through Public Mode settings.

1. Start your web browser.
2. Type "https://machine's IP address" in your browser's address bar (where "machine's IP address" is the machine's IP address).

For example:

https://192.168.1.2

3. If required, type the password in the **Login** field, and then click **Login**.



The default password to manage this machine's settings is located on the back of the machine and marked "Pwd".

4. Go to the navigation menu, and then click **Administrator > Restriction Management** or **User Restriction Function**.



Start from ☰, if the navigation menu is not shown on the left side of the screen.

5. Select **Secure Function Lock**.
6. Click **Submit**.
7. Click the **Restricted Functions** menu.
8. In the **Public Mode** row, select a check box to allow or clear a check box to restrict the function listed.
9. Click **Submit**.



### Related Information

- [Use Secure Function Lock 3.0](#)

#### Related Topics:

- [Access Web Based Management](#)

## Configure Personal Home Screen Settings Using Web Based Management

**Related Models:** ADS-4700W/ADS-4900W

As Administrator, you can specify which tabs users can view on their personal home screens. These tabs provide quick access to users' favourite shortcuts, which they can assign to their personal home screen tabs from the machine's control panel.

1. Start your web browser.
2. Type "https://machine's IP address" in your browser's address bar (where "machine's IP address" is the machine's IP address).

For example:

https://192.168.1.2

3. If required, type the password in the **Login** field, and then click **Login**.



---

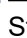
The default password to manage this machine's settings is located on the back of the machine and marked "Pwd".

---

4. Go to the navigation menu, and then click **Administrator > Restriction Management**.



---

Start from , if the navigation menu is not shown on the left side of the screen.

---

5. In the **User Restriction Function** field, select **Secure Function Lock**.
6. In the **Tab Settings** field, select **Personal** for the tab names you want to use as your personal home screen.
7. When finished, click **Submit**.
8. Click the **Restricted Functions** menu.
9. In the **User List / Restricted Functions** field, type a group name or user name.
10. Click **Submit**.
11. Click the **User List** menu.
12. In the **User List** field, type the user name.
13. In the **PIN Number** field, type a password for this user to access the personal home screen you just configured.



---

The number of characters required for the password may differ, depending on your model.

---

14. Select **User List / Restricted Functions** from the drop-down list for each user.
15. Select the tab name from the **Home Screen** drop-down list for each user.
16. Click **Submit**.



### Related Information

- [Use Secure Function Lock 3.0](#)

#### Related Topics:

- [Access Web Based Management](#)
- [Add Shortcuts](#)
- [Save Your Favourite Settings as a Shortcut](#)

## Register an External IC Card Reader

**Related Models:** ADS-4700W/ADS-4900W

When you connect an external IC (Integrated Circuit) card reader, use Web Based Management to register the card reader. Your machine supports HID class driver supported external IC card readers.

1. Start your web browser.
2. Type "https://machine's IP address" in your browser's address bar (where "machine's IP address" is the machine's IP address).

For example:

https://192.168.1.2

3. If required, type the password in the **Login** field, and then click **Login**.



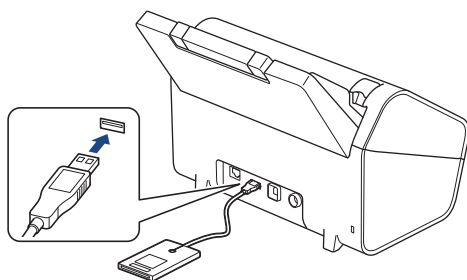
The default password to manage this machine's settings is located on the back of the machine and marked "Pwd".

4. Go to the navigation menu, and then click **Administrator** > **External Card Reader**.



Start from ≡, if the navigation menu is not shown on the left side of the screen.

5. Enter the necessary information, and then click **Submit**.
6. Connect the card reader to your machine.



7. Touch the card to the card reader when using card authentication.



### Related Information

- [Use Secure Function Lock 3.0](#)

#### Related Topics:

- [Access Web Based Management](#)

## Send an Email Securely

- [Configure Email Sending Using Web Based Management](#)
- [Send an Email with User Authentication](#)
- [Send an Email Securely Using SSL/TLS](#)

## Configure Email Sending Using Web Based Management

We recommend using Web Based Management to configure secured email sending with user authentication, or email sending using SSL/TLS.

1. Start your web browser.
2. Type "https://machine's IP address" in your browser's address bar (where "machine's IP address" is the machine's IP address).

For example:

https://192.168.1.2


3. If required, type the password in the **Login** field, and then click **Login**.



The default password to manage this machine's settings is located on the back of the machine and marked "Pwd".

4. Go to the navigation menu, and then click **Network > Network > Protocol**.



Start from , if the navigation menu is not shown on the left side of the screen.

5. In the **SMTP** field, click **Advanced Settings** and make sure the status of **SMTP** is **Enabled**.
6. Configure the **SMTP** settings.
  - Confirm that the email settings are correct after configuration by sending a test email.
  - If you do not know the SMTP server settings, contact your network administrator or Internet Service Provider (ISP).
7. When finished, click **Submit**.
8. Follow the instructions in the dialog box to test the current settings.



### Related Information

- [Send an Email Securely](#)

#### Related Topics:

- [Access Web Based Management](#)



## Send an Email with User Authentication

Your machine supports the SMTP-AUTH method to send email via an email server that requires user authentication. This method prevents unauthorised users from accessing the email server.

You can use the SMTP-AUTH method for email notification and email reports (available for certain models).



---

We recommend using Web Based Management to configure the SMTP authentication.

---

### Email Server Settings

You must configure your machine's SMTP authentication method to match the method used by your email server. For details about your email server settings, contact your network administrator or Internet Service Provider (ISP).



---

To enable SMTP server authentication: in the Web Based Management **SMTP** screen, under **Server Authentication Method**, you must select **SMTP-AUTH**.

---



### Related Information

- [Send an Email Securely](#)
-

## Send an Email Securely Using SSL/TLS

Your machine supports SSL/TLS communication methods. To use an email server that is using SSL/TLS communication, you must configure the following settings.



We recommend using Web Based Management to configure SSL/TLS.

### Verify Server Certificate

If you need to verify the server certificate, select the **Verify Server Certificate** check box under **SSL/TLS**.



Before you verify the server certificate, you must import the CA certificate issued by the CA that signed the server certificate. Contact your network administrator or your Internet Service Provider (ISP) to confirm if importing a CA certificate is necessary.

### Port Number

If you select **SSL**, or **TLS**, the **Port** value will be changed to match the protocol. To change the port number manually, type the port number after you select **SSL/TLS** settings.

You must configure your machine's communication method to match the method used by your email server. For details about your email server settings, contact your network administrator or your ISP.

In most cases, the secured webmail services require the following settings:

SMTP	<b>Port</b>	25
	<b>Server Authentication Method</b>	<b>SMTP-AUTH</b>
	<b>SSL/TLS</b>	<b>TLS</b>



### Related Information

- [Send an Email Securely](#)

#### Related Topics:

- [Configure Certificates for Device Security](#)

## Lock the Machine Settings from the Control Panel

**Related Models:** ADS-4700W/ADS-4900W

Before turning on the machine's Setting Lock, make a careful note of your password. If you forget the password, you must reset all passwords stored in the machine by contacting your administrator or Brother customer service.

- [Setting Lock Overview](#)

## Setting Lock Overview

**Related Models:** ADS-4700W/ADS-4900W

Use the Setting Lock feature to block unauthorised access to machine settings.

When Setting Lock is set to On, you cannot access the machine settings without entering the password.




Remote Setup will not launch when Setting Lock is set to On.

- [Set or Change the Setting Lock Password](#)
- [Turn Setting Lock On](#)
- [Restrict Specific Machine Settings](#)


## Set or Change the Setting Lock Password

**Related Models:** ADS-4700W/ADS-4900W

1. Press  [Admin Settings].
2. Enter the current password, and then press [OK].
3. Press [Password].



This password is also valid for other [Admin Settings] features and Web Based Management login.

4. Enter the password you want to use (8 to 32 characters), and then press [OK].
5. When the LCD displays [Verify:], retype the password, and then press [OK].
6. When the machine prompts you to select next step, choose your selection.
7. Press .




### Related Information

- [Setting Lock Overview](#)

## Turn Setting Lock On

**Related Models:** ADS-4700W/ADS-4900W

Use the Setting Lock feature to block unauthorised access to machine settings.  
When Setting Lock is set to On, you cannot access the machine settings without entering the password.

1. Press  [Admin Settings].
2. Enter the current password, and then press [OK].
3. Press [Restriction Management] > [Setting Lock] > [On].
4. When the machine prompts you to select the next step, choose your selection.



To turn Setting Lock off, repeat the step 1 and 2, and then press [Restriction Management] > [Setting Lock] > [Off].




### Related Information

- [Setting Lock Overview](#)


## Restrict Specific Machine Settings

**Related Models:** ADS-4700W/ADS-4900W

1. Press  [Admin Settings].
2. Enter the current Administrator password, and then press [OK].
3. Press [Restriction Management] > [Setting Lock Details].



To use this feature, enable [Setting Lock].

4. Choose the machine settings you want to restrict, and then press [OK].
5. Press .



### Related Information

- [Setting Lock Overview](#)

## Brother Web Connect

**Related Models:** ADS-4700W/ADS-4900W

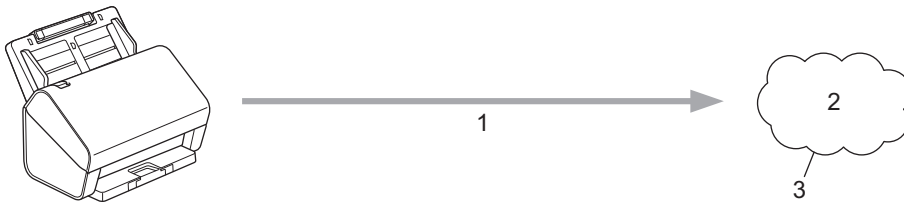
- [Brother Web Connect Overview](#)
- [Online Services Used with Brother Web Connect](#)
- [Set Up Brother Web Connect](#)
- [Scan and Upload Documents Using Brother Web Connect](#)



## Brother Web Connect Overview

**Related Models:** ADS-4700W/ADS-4900W

Certain websites provide services that allow users to upload and view images and files on the website. Your Brother machine can scan images and upload them to these services.



1. Scanning
2. Photos, images, documents and other files
3. Web Service

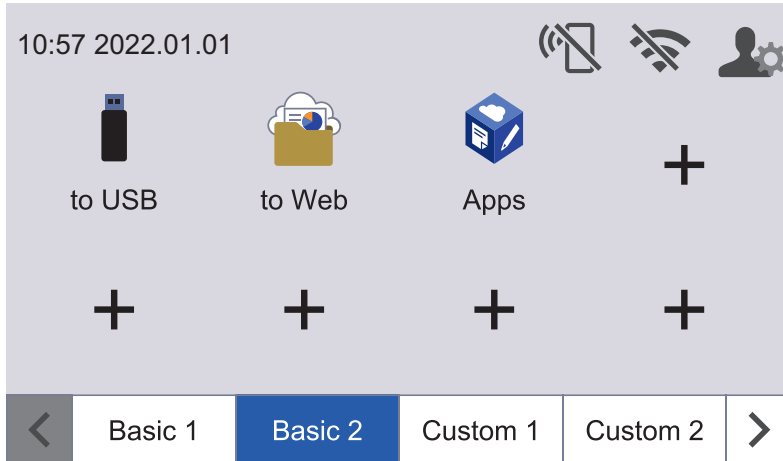
To use Brother Web Connect, your Brother machine must be connected to a network that has access to the Internet, through either a wired or wireless connection.

For network setups that use a proxy server, the machine must also be configured to use a proxy server. If you are unsure of your network configuration, check with your network administrator.



A proxy server is a computer that serves as an intermediary between computers without a direct Internet connection, and the Internet.

Press ([to Web]) or ([Apps]) on the touchscreen to use Brother Web Connect.



### ✓ Related Information

- [Brother Web Connect](#)
  - [Configure the Proxy Server Settings Using Web Based Management](#)

## Configure the Proxy Server Settings Using Web Based Management

**Related Models:** ADS-4700W/ADS-4900W

If your network uses a proxy server, the following proxy server information must be configured using Web Based Management:

- Proxy server address
- Port number
- User Name
- Password



We recommend Microsoft Internet Explorer 11.0 or later/Microsoft Edge for Windows, Safari 12.0 or later for Mac, Google Chrome™ for Android (4.x or later), and Google Chrome™/Safari for iOS (10.x or later). Make sure that JavaScript and Cookies are always enabled in whichever browser you use.

1. Start your web browser.
2. Type "https://machine's IP address" in your browser's address bar (where "machine's IP address" is the machine's IP address).

For example:

https://192.168.1.2

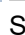
3. If required, type the password in the **Login** field, and then click **Login**.



The default password to manage this machine's settings is located on the back of the machine and marked "Pwd".

4. Go to the navigation menu, and then click **Network > Network > Protocol**.



Start from , if the navigation menu is not shown on the left side of the screen.

5. Make sure the **Proxy** check box is selected, and then click **Submit**.
6. In the **Proxy** field, click **Advanced Settings**.
7. Enter the proxy server information.
8. Click **Submit**.



### Related Information

- [Brother Web Connect Overview](#)

#### Related Topics:

- [Access Web Based Management](#)

## Online Services Used with Brother Web Connect

**Related Models:** ADS-4700W/ADS-4900W

Use Brother Web Connect to access online services from your Brother machine. Some of these web services offer business versions.

To use Brother Web Connect, you must have an account with the online service you want to use. If you do not already have an account, use a computer to access the service's website and create an account.

### Google Drive™

An online document storage, editing, sharing and file synchronisation service.

URL: [drive.google.com](http://drive.google.com)

### Evernote®

An online file storage and management service.

URL: [www.evernote.com](http://www.evernote.com)

### Dropbox

An online file storage, sharing and synchronisation service.

URL: [www.dropbox.com](http://www.dropbox.com)

### OneDrive

An online file storage, sharing and management service.

URL: <https://onedrive.live.com>

### Box

An online document editing and sharing service.

URL: [www.box.com](http://www.box.com)

### OneNote

An online document editing and sharing service.

URL: [www.onenote.com](http://www.onenote.com)

### SharePoint Online

An online content storage, sharing, and managing service for businesses.

URL: [www.microsoft.com/sharepointonline](http://www.microsoft.com/sharepointonline)

For more information about any of these services, refer to the respective service's website.

The following table describes which file types can be used with each Brother Web Connect feature:

Accessible Services	Google Drive™ Evernote® Dropbox OneDrive Box OneNote SharePoint Online
Upload scanned images	JPEG PDF DOCX XLSX PPTX TIFF



- Not all services are available in all countries.

- For Hong Kong, Taiwan and Korea:

Brother Web Connect supports only file names written in English. Files named in the local language will not be downloaded.

---



## Related Information

- [Brother Web Connect](#)
-

## Set Up Brother Web Connect

**Related Models:** ADS-4700W/ADS-4900W

- [Brother Web Connect Setup Overview](#)
- [Create an Account for Each Online Service Before Using Brother Web Connect](#)
- [Apply for Brother Web Connect Access](#)
- [Register an Account on Your Brother Machine for Brother Web Connect](#)

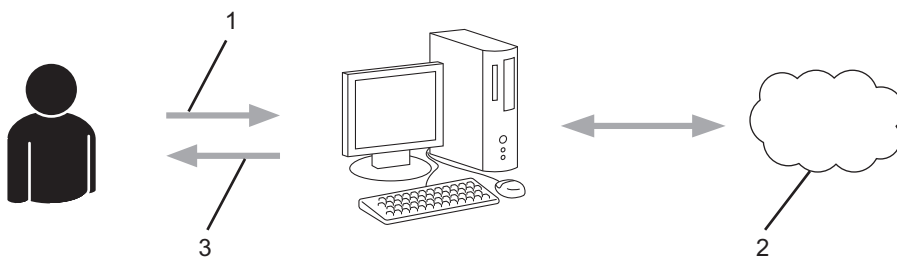
## Brother Web Connect Setup Overview

**Related Models:** ADS-4700W/ADS-4900W

Configure the Brother Web Connect settings using the following procedure:

### Step 1: Create an account with the service you want to use.

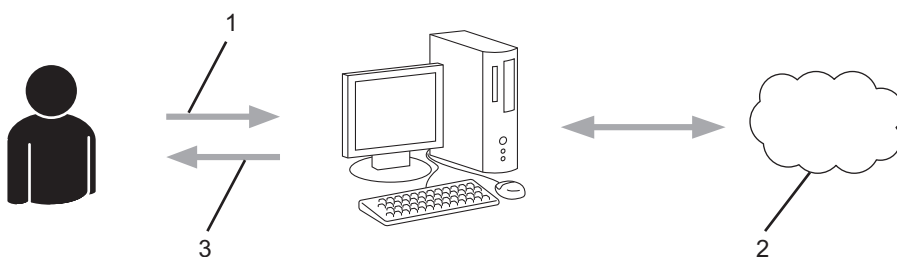
Access the service's website using a computer and create an account. (If you already have an account, there is no need to create an additional account.)



1. User registration
2. Web Service
3. Obtain account

### Step 2: Apply for Brother Web Connect access.

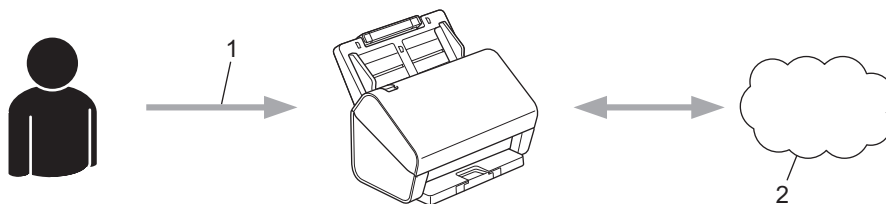
Start Brother Web Connect access using a computer and obtain a temporary ID.



1. Enter account information
2. Brother Web Connect application page
3. Obtain temporary ID

### Step 3: Register your account information on your machine so you can access the service you want to use.

Enter the temporary ID to enable the service on your machine. Specify the account name as you would like it to be displayed on the machine, and enter a PIN if you would like to use one.



1. Enter temporary ID
2. Web Service

Your Brother machine can now use the service.



## Related Information

- [Set Up Brother Web Connect](#)
-

## Create an Account for Each Online Service Before Using Brother Web Connect

**Related Models:** ADS-4700W/ADS-4900W

To use Brother Web Connect to access an online service, you must have an account with that online service. If you do not already have an account, use a computer to access the service's website and create an account. After creating an account, log on and use the account once with a computer before using the Brother Web Connect feature. Otherwise, you may not be able to access the service using Brother Web Connect.

If you already have an account, there is no need to create an additional account.

After you finish creating an account with the online service you want to use, apply for Brother Web Connect access.



### Related Information

- [Set Up Brother Web Connect](#)





## Apply for Brother Web Connect Access

**Related Models:** ADS-4700W/ADS-4900W

To use Brother Web Connect to access online services, you must first apply for Brother Web Connect access using a computer that has the Brother Software installed.

1. Access the Brother Web Connect application website:

Option	Description
Windows	Launch  ( <b>Brother Utilities</b> ), and then click the drop-down list and select your model name (if not already selected). Click <b>Do More</b> in the left navigation bar, and then click <b>Brother Web Connect</b> .   You can also access the website directly: Type <a href="http://bwc.brother.com">bwc.brother.com</a> into your web browser's address bar.

Mac Type [bwc.brother.com](http://bwc.brother.com) into your web browser's address bar.

The Brother Web Connect page launches.

2. Select the service you want to use.
3. Follow the on-screen instructions and apply for access.

### NOTE

When using SharePoint Online, follow the on-screen instructions to register a document library.

When finished, your temporary ID appears.

Get connected with Brother Web Connect

**Finished the registration.**

Please enter the following temporary ID on the LCD screen of your machine.

**Temporary ID (11 digits)**

**XXX XXXX XXXX**

NOTE : The temporary ID will expire in 24 hours.

4. Make a note of your temporary ID, as you will need it to register accounts to the machine. The temporary ID is valid for 24 hours.
5. Close the web browser.

Now that you have a Brother Web Connect access ID, you must register this ID on your machine, and then use your machine to access the web service you want to use.



## Related Information

- [Set Up Brother Web Connect](#)
-

## Register an Account on Your Brother Machine for Brother Web Connect

**Related Models:** ADS-4700W/ADS-4900W

You must enter your Brother Web Connect account information and configure your machine so that it can use Brother Web Connect to access the service you want.

- You must apply for Brother Web Connect access to register an account on your machine.
- Before you register an account, confirm that the correct date and time are set on the machine's control panel.

1. Press the [Basic 2] tab in the Home screen, and then press [to Web].



- If information regarding the Internet connection appears on the machine's LCD, read the information and press [OK].
- Occasionally, updates or announcements about Brother Web Connect's features will appear on the LCD. Read the information, and then press [OK].

2. Press ◀ or ▶ to display the service with which you want to register.

Press the service name.

3. If information regarding Brother Web Connect appears, press [OK].

4. Press [Register/Delete Account] > [Register Account].

5. The machine will prompt you to enter the temporary ID you received when you applied for Brother Web Connect access.

Press [OK].

6. Enter the temporary ID using the LCD, and then press [OK].



An error message will appear on the LCD if the information you entered does not match the temporary ID you received when you applied for access, or if the temporary ID has expired. Either enter the temporary ID correctly, or apply for access again and receive a new temporary ID.

7. The machine will prompt you to enter the account name that you want to be displayed on the LCD.

Press [OK].

8. Enter the name using the LCD, and then press [OK].

9. Do one of the following:

- To set a PIN for the account, press [Yes]. (A PIN prevents unauthorised access to the account.) Enter a four-digit number and press [OK].
- If you do not want to set a PIN, press [No].




When the account information you entered appears, confirm that it is correct.

10. Press [Yes] to register your information as entered.

11. Press [OK].

Account registration is complete and your machine can now access the service.

12. Press .



### Related Information

- [Set Up Brother Web Connect](#)

## Scan and Upload Documents Using Brother Web Connect

**Related Models:** ADS-4700W/ADS-4900W

Upload your scanned photos and documents directly to a web service without using a computer.

- When scanning and uploading JPEG files or searchable PDF, monochrome scanning is not available.
- When scanning and uploading Microsoft Office files, monochrome scanning and grey scanning are not available.
- When scanning and uploading JPEG files, each page is uploaded as a separate file.
- Uploaded documents are saved in an album named **From\_BrotherDevice**.

For information regarding restrictions, such as the size or number of documents that can be uploaded, refer to the respective service's website.

If you are a restricted Web Connect user due to the Secure Function Lock feature (available for certain models), you cannot upload the scanned data.

1. Load your document.
2. Press the [Basic 2] tab in the Home screen, and then press [to Web].



- If information regarding the Internet connection appears on the machine's LCD, read the information and press [OK].
- Occasionally, updates or announcements about Brother Web Connect's features will appear on the LCD. Read the information, and then press [OK].

3. Press ◀ or ▶ to display the service that hosts the account to which you want to upload.  
Press the service name.
4. Press ▲ or ▼ to display your account name, and then press it.
5. If the PIN entry screen appears, enter the four-digit PIN and press [OK].
6. Follow the on-screen instructions to complete this operation.



### Related Information

- [Brother Web Connect](#)

## Brother iPrint&Scan for Windows and Mac

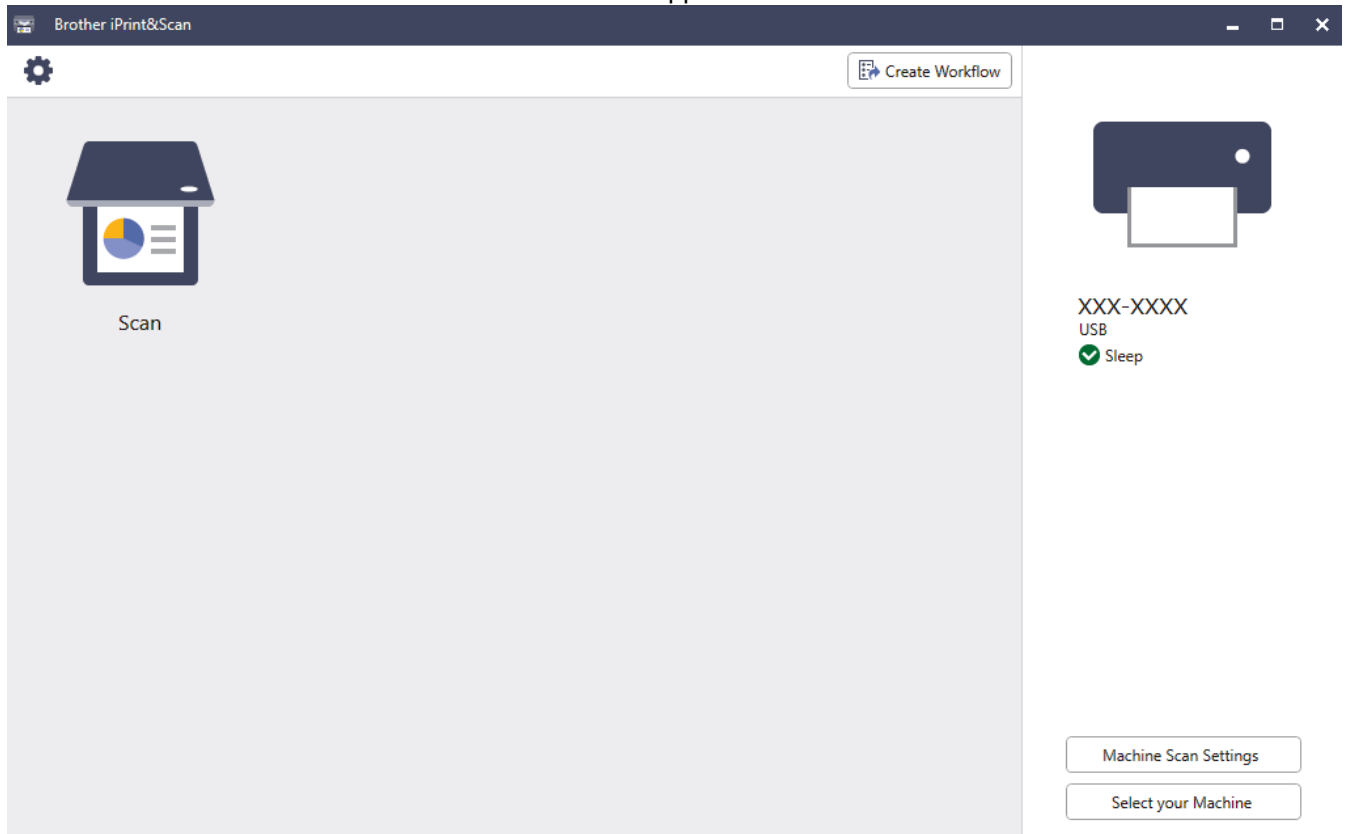
- [Brother iPrint&Scan Overview](#)
- [Configure Scan to Workflow Settings Using Brother iPrint&Scan](#)

## Brother iPrint&Scan Overview

Use Brother iPrint&Scan for Windows and Mac to scan from your computer.

The following screen shows an example of Brother iPrint&Scan for Windows. You can use it to scan documents and check your machine's status. The actual screen may differ depending on the version of the application.

- Windows  
Go to your model's **Downloads** page at [support.brother.com](http://support.brother.com) to download the latest application.
- Mac  
Download and install Brother iPrint&Scan from the App Store.



### ✓ Related Information

- [Brother iPrint&Scan for Windows and Mac](#)

#### Related Topics:

- [Scan Using Brother iPrint&Scan \(Windows\)](#)
- [Scan Using Brother iPrint&Scan \(Mac\)](#)
- [Change Scan Settings Using Brother iPrint&Scan](#)

## Configure Scan to Workflow Settings Using Brother iPrint&Scan

The following conditions must be satisfied to use Scan to Workflow:

- Windows
  - The scanner driver is installed.  
Download and install the driver at [support.brother.com](http://support.brother.com).
  - Default settings have been configured for scanning from the machine.  
Configure the settings by following the on-screen directions in the **Machine Scan Settings** screen.
- Mac
  - **iPrint&Scan Push Scan Tool** is installed.  
Download and install the **iPrint&Scan Push Scan Tool** at [support.brother.com](http://support.brother.com).
  - Default settings have been configured for scanning from the machine.  
In the Brother iPrint&Scan home screen, click **Machine Scan Settings > Select folder...**, and save where applicable. Complete the process by following the on-screen instructions.

>> [Create a Workflow](#)

>> [Configure Workflows](#)

>> [Edit or delete the Workflow](#)

### Create a Workflow

1. In the Brother iPrint&Scan home screen, click **Create Workflow**.
2. Create a workflow by following the on-screen instructions.

### Configure Workflows

1. In the Brother iPrint&Scan home screen, click **Machine Scan Settings > Workflow**.
2. Select the workflow you want to display when the Workflow button is pressed on the machine, and click **OK**.

### Edit or delete the Workflow

1. In the Brother iPrint&Scan home screen, click  **Application Setting > Workflow Management**.
2. Select the workflow you want to edit or delete, and click either **Edit** or **Delete**.

### Related Information

- [Brother iPrint&Scan for Windows and Mac](#)

## Troubleshooting

- [Error and Maintenance Messages](#)
- [Error and Maintenance Indications](#)
- [Document Jam](#)
- [If You Are Having Difficulty with Your Machine](#)
- [Check the Serial Number](#)
- [Reset Your Brother Machine](#)





## Error and Maintenance Messages


**Related Models:** ADS-4700W/ADS-4900W

As with any sophisticated office product, errors may occur and supply items must be replaced eventually. If this happens, your machine identifies the error or required routine maintenance and displays the appropriate message. The most common error and maintenance messages are shown in the table below.

You can correct most errors and clear routine maintenance messages yourself. If you need further information, go to your model's **FAQs & Troubleshooting** page at [support.brother.com](http://support.brother.com).

Error Message	Cause	Action
Access Denied	Secure Function Lock is On.	Contact your administrator to check your Secure Function Lock settings. <i>See Related Information: Use Secure Function Lock 3.0.</i>
Cannot Find Workflow (ADS-4700W/ADS-4900W)	<ul style="list-style-type: none"> <li>Workflow was not created.</li> <li>Workflow was deleted.</li> <li>Workflow was not configured correctly.</li> </ul>	Make sure that Workflow is created and configured correctly in Brother iPrint&Scan (for Windows and Mac). <i>See Related Information: Configure Scan to Workflow Settings Using Brother iPrint&amp;Scan.</i>
Check Connection	The machine is not connected to the network.	Check the network connection.
	The computer and machine are not connected using a USB cable.	Connect the USB cable. If a USB flash drive is inserted into the machine, remove it.
Connection Failed	The machine could not connect to the network.	Check the following: <ul style="list-style-type: none"> <li>The PIN is correct.</li> <li>You did not press the WPS button on more than one wireless access point/router.</li> <li>The wireless access point/router is turned on.</li> <li>Restart the machine and the wireless access point/router.</li> </ul>
Document Jam	<ul style="list-style-type: none"> <li>The Paper Guides are not set to the correct document size.</li> <li>The settings are not appropriate for your document.</li> <li>Paper dust has accumulated on the surface of the Pick Up Roller or Brake Roller.</li> <li>The document was curled.</li> <li>The Extendable Output Tray is not set to the correct length.</li> <li>(ADS-4700W/ADS-4900W) The Document Separation Switch is set to  (Continuous Feed Mode) when scanning a document that is folded in half.</li> </ul>	Clear the document jam, and then do the following: <ul style="list-style-type: none"> <li>Gently adjust the Paper Guides to fit the width of your document. When Scan Size is set to Auto and you are scanning a document that contains multiple page sizes, insert narrow pages straight and as close to the centre of the machine as possible. If the document does not feed straight, use the Continuous Scan option.</li> <li>Confirm the settings. <i>See Related Information: Document Jam.</i></li> <li>Clean the Pick Up Roller and Brake Roller. <i>See Related Information: Clean the Scanner and Rollers.</i></li> <li>Straighten the curled document and scan again.</li> </ul>

Error Message	Cause	Action
		<ul style="list-style-type: none"> <li>Set the Extendable Output Tray to the correct length.</li> <li>(ADS-4700W/ADS-4900W) Set the Document Separation Switch to  (Manual Single Mode).</li> </ul>
Incorrect PIN	The PIN Number entered in Secure Function Lock was incorrect.	<p>Enter the correct PIN Number. Contact your administrator to check your Secure Function Lock settings.</p> <p><i>See Related Information: Use Secure Function Lock 3.0.</i></p>
Insufficient USB Storage	The inserted USB flash drive is full.	<p>Press <b>Close</b>, and then do one of the following:</p> <ul style="list-style-type: none"> <li>Delete unused files or folders from the USB flash drive, and then try again.</li> <li>Use a USB flash drive that has more free space.</li> </ul>
No Access Point	The machine cannot detect a wireless access point/router that has an active WPS function.	<p>Check the following:</p> <ul style="list-style-type: none"> <li>You did not press the WPS button on two or more wireless access point/routers.</li> <li>Restart the machine and the wireless access point/router.</li> </ul>
No Certificate	The certificate does not exist, or is corrupted.	Configure the settings under <b>Signed PDF</b> in the <b>Administrator</b> menu in Web Based Management.
No PC found	The machine is not connected to your computer.	Connect the machine to your computer, and then try again. If a USB flash drive is inserted into the machine, remove it.
No Profile found (ADS-4700W/ADS-4900W)	No Scan to FTP/SFTP profile, Scan to Network profile, or Scan to SharePoint profile is registered.	<p>Configure the Scan to FTP/SFTP profile, the Scan to Network profile, or the Scan to SharePoint profile before using these scanning features.</p> <p><i>See Related Information: Set up a Scan to FTP Profile.</i></p> <p><i>See Related Information: Set up a Scan to SFTP Profile.</i></p> <p><i>See Related Information: Set up a Scan to Network Profile.</i></p> <p><i>See Related Information: Set up a Scan to SharePoint Profile.</i></p>
Not Registered	(Scan) You tried to access an email address that has not been registered in the address book.	Make sure the email address is correctly configured.
	(Secure Function Lock) A user not registered in Secure Function Lock is accessing the machine.	<p>Contact your administrator to check your Secure Function Lock settings.</p> <p><i>See Related Information: Use Secure Function Lock 3.0.</i></p>
Remove documents	Auto Start Scan Mode was enabled while a document was loaded.	Remove the document, and then reload it.
Replace Pickup Roller	<p>(ADS-4700W) All Rollers have been used over 100,000 times.</p> <p>(ADS-4900W) All Rollers have been used over 200,000 times.</p>	Replace all rollers with new ones. Scanning errors may occur if you do not replace the part.

Error Message	Cause	Action
		See <i>Related Information: Replace the Roller Kit</i> .
Scheduled Maintenance Alert	The Pick Up Roller has been used over 5,000 times.	Clean the Brake Roller and Pick Up Roller. Paper jams and reduced scan quality issues may occur if you do not clean them. See <i>Related Information: Clean the Scanner and Rollers</i> .
Sending Error (ADS-4700W/ADS-4900W)	The Scan to FTP/SFTP profile, Scan to Network profile, Scan to SharePoint profile, or Scan to Email Server is not configured correctly.	Make sure the Scan to FTP/SFTP profile, Scan to Network profile, Scan to SharePoint profile, or Scan to Email Server is configured correctly. Configure the Network Settings.
Server Time out	The machine was disconnected from the Scan to FTP/SFTP profile, Scan to Network profile or Scan to Email Server.	Make sure the Scan to FTP/SFTP profile, Scan to Network profile or Scan to Email Server is configured correctly. Configure the Network Settings.
Unusable Device	An unusable device is inserted in the USB port.	Remove the device. Turn the machine off by unplugging the machine from the electrical socket, and then plug the machine in again. Press  to turn the machine on.
	The inserted USB flash drive is write-protected.	Use a USB flash drive that is not write-protected.
USB Access Error	The USB flash drive was removed while it was being accessed.	Insert the USB flash drive.
USB hub not supported	A USB flash drive with a hub is inserted in the USB port.	Remove the unsupported device from the USB port.
Wrong Network Key	The Network Key is incorrect.	Confirm the Network Key and try again.



## Related Information

- [Troubleshooting](#)
  - [Error Messages When Using the Brother Web Connect Feature](#)

### Related Topics:

- [Use Secure Function Lock 3.0](#)
- [Clean the Scanner and Rollers](#)
- [Replace the Roller Kit \(ADS-4300N/ADS-4700W\)](#)
- [Replace the Roller Kit \(ADS-4900W\)](#)
- [Set up a Scan to Network Profile](#)
- [Set up a Scan to FTP Profile](#)
- [Set up a Scan to SFTP Profile](#)
- [Set up a Scan to SharePoint Profile](#)
- [Document Jam](#)
- [Configure Scan to Workflow Settings Using Brother iPrint&Scan](#)

## Error Messages When Using the Brother Web Connect Feature

**Related Models:** ADS-4700W/ADS-4900W

Your Brother machine displays an error message if an error occurs. The most common error messages are shown in the chart.

You can correct most errors yourself. If you need more tips, go to your model's **FAQs & Troubleshooting** page at [support.brother.com](http://support.brother.com).

### Connection Error

Error Messages	Cause	Action
Connection Error 02	The machine is not connected to a network.	<ul style="list-style-type: none"> <li>Verify that the network connection is good.</li> <li>If the <b>to Web</b> or <b>Apps</b> option was pressed soon after the machine was turned on, the network connection may not have been established yet. Wait and try again.</li> </ul>
Connection Error 03	<ul style="list-style-type: none"> <li>Network or server settings are incorrect.</li> <li>There is a problem with the network or server.</li> </ul>	<ul style="list-style-type: none"> <li>Confirm that network settings are correct, or wait and try again later.</li> <li>If the <b>to Web</b> or <b>Apps</b> option was pressed soon after the machine was turned on, the network connection may not have been established yet. Wait and try again.</li> </ul>
Connection Error 07	Date and time settings are incorrect.	Set the date and time correctly. Note that if the machine's power cord is disconnected, the date and time settings may have reset to factory settings.

### Authentication Error

Error Messages	Cause	Action
Authentication Error 01	The PIN you entered to access the account is incorrect. The PIN is the four-digit number that was entered when registering the account to the machine.	Enter the correct PIN.
Authentication Error 02	The temporary ID that was entered is incorrect.	Enter the correct temporary ID.
	The temporary ID that was entered has expired. A temporary ID is valid for 24 hours.	Apply for Brother Web Connect access again and receive a new temporary ID, and then use the new ID to register the account to the machine.
Authentication Error 03	The name you entered as the display name has already been registered to another service user.	Enter a different display name.

---

## Server Error

Error Messages	Cause	Action
Server Error 01	The machine's authentication information (needed to access the service) has expired or is invalid.	Apply for Brother Web Connect access again to receive a new temporary ID, and then use the new ID to register the account to the machine.
Server Error 03	The file you are trying to upload may have one of the following problems: <ul style="list-style-type: none"><li>• The file exceeds the service's limit on number of pixels, file size, etc.</li><li>• The file type is not supported.</li><li>• The file is corrupted.</li></ul>	The file cannot be used: <ul style="list-style-type: none"><li>• Check the service's size or format restrictions.</li><li>• Save the file as a different type.</li><li>• If possible, get a new, uncorrupted version of the file.</li></ul>
Server Error 13	There is a problem with the service and it cannot be used now.	Wait and try again. If you get the message again, access the service from a computer to confirm if it is unavailable.

## Shortcut Error

Error Messages	Cause	Action
Shortcut Error 02	The shortcut cannot be used because the account was deleted after the shortcut was registered.	Delete the shortcut, and then register the account and shortcut again.



### Related Information







- [Error and Maintenance Messages](#)
-



## Error and Maintenance Indications





**Related Models:** ADS-4300N

The LED indications on the control panel are explained in this table.

If there is an error that you cannot clear yourself, contact your Brother dealer or Brother customer service.

Error Indicator	Power Indicator	Description
		The LED is off.
		The LED is on.
		The LED is blinking.

Error Indicator	Power Indicator	Machine Status
		<p><b>Document Jam</b></p> <p>Clear the document jam. If scanning a long document, select <b>Long Paper</b> from the <b>Scan Size</b> or <b>Document Size</b> drop-down list.</p>
		<p><b>Pick Up Document Error</b></p> <p>The machine cannot pick up the document. Open the Front Cover and remove the document. Close the Front Cover and reload your document.</p>
		<p><b>Multifeed Detection Error</b></p> <p>More than one page was fed at one time or the original document contains multiple paper lengths. Clear the multifeed, check your paper lengths, and then try to scan again.</p>
		<p><b>Front Cover Open</b></p> <p>The Front Cover is open.</p>
		<p><b>Access Error</b></p> <ul style="list-style-type: none"> <li>• Scan to PC                             <ul style="list-style-type: none"> <li>- The USB cable is not connected to the machine. Connect the USB cable.</li> </ul> </li> <li>• Scan to USB                             <ul style="list-style-type: none"> <li>- A USB flash drive is not inserted into the machine. Insert a USB flash drive.</li> <li>- The USB flash drive was removed while it was being accessed. Reinsert the USB flash drive.</li> </ul> </li> </ul>
		<p><b>Unusable Device</b></p> <ul style="list-style-type: none"> <li>• An unsupported USB device is inserted in the USB port. Remove the device.</li> </ul>
		<p><b>Too Many Files on USB (Scan to USB)</b></p> <p>Your machine cannot save to a USB flash drive if it contains too many files. Remove the USB flash drive, and then do one of the following:</p> <ul style="list-style-type: none"> <li>• Delete unused files or folders from the USB flash drive, and then try again.</li> <li>• Use a USB flash drive that has available space.</li> </ul>

Error Indicator	Power Indicator	Machine Status
		<p><b>Updating the Firmware</b> Firmware update in progress. Wait for the update to complete.</p>
		<p><b>The Scheduled Maintenance counter has exceeded 5,000.</b> Confirm the remaining life in the <b>Machine Info</b> dialog box using Remote Setup. If the Scheduled Maintenance counter has exceeded the limit, clean the machine promptly. If you do not, document jams and paper feed problems may occur. After cleaning the machine, reset the Scheduled Maintenance Counter using Remote Setup. See <i>Related Information: Clean the Scanner and Rollers</i>.</p> <p><b>The Pick Up Roller has been used more than 100,000 times.</b> Confirm the remaining life in the <b>Machine Info</b> dialog box using Remote Setup. If the Pick Up Roller or Brake Roller have been exceeded their usage limit, replace them and then reset the Roller Counter using Remote Setup. See <i>Related Information: Replace the Roller Kit</i> .</p>



For more information about errors, check your machine's status in Brother iPrint&Scan (for Windows and Mac).



### Related Information

- [Troubleshooting](#)

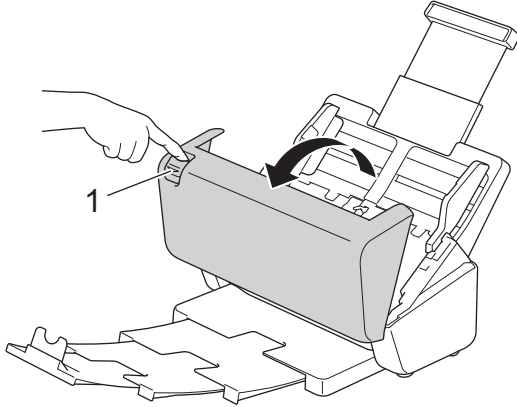
#### Related Topics:

- [Document Jam](#)
- [Clean the Scanner and Rollers](#)
- [Replace the Roller Kit \(ADS-4300N/ADS-4700W\)](#)

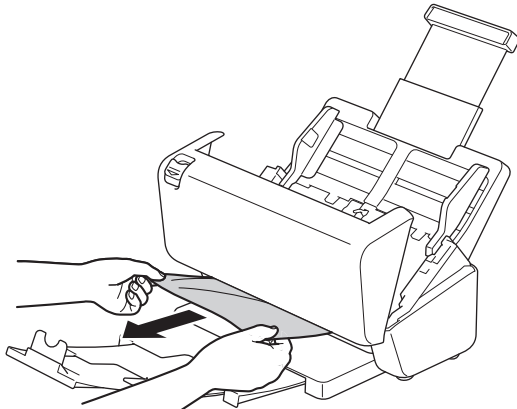
## Document Jam


Documents can jam in the ADF unit if they are not inserted or fed correctly, if they are too long, or if multiple pages are fed at the same time (multifeed).

1. Remove any paper from the ADF that is not jammed.
2. Press the release tab (1) to open the Front Cover.




3. Gently pull the jammed document out of the machine.



 Check for ripped paper inside the machine. Remove any paper scraps you find inside the machine.

4. Close the Front Cover.

 When clearing the multifeed, confirm that the data scanned before the multifeed was detected has been saved, and then start scanning again from the next page or the beginning of the document.

### IMPORTANT

- To avoid damage to the jammed document, DO NOT pull the document out before opening the Front Cover.
- Take out any paper from the ADF before closing the Front Cover.
- To avoid future document jams, do the following:
  - Close the Front Cover correctly by pushing it gently in the centre.
  - Configure the settings for your document correctly.
  - Fan the paper to help prevent document jams and multi-feeding documents.
  - Clean the Brake Roller and Pick Up Roller. See *Related Information: Clean the Scanner and Rollers*.
  - Stagger the pages and then load your document.
  - Make sure your document is acceptable for the machine.
  - Load your document correctly.



- 
- Make sure the maximum number of pages is appropriate for your document.
  - When using long paper, to avoid a paper jam, you must select the **Long Paper** option from the **Document Size** menu.
- 



## Related Information

---

- [Troubleshooting](#)

### Related Topics:

- [Error and Maintenance Indications](#)
  - [Clean the Scanner and Rollers](#)
  - [Acceptable Documents](#)
  - [Load Documents](#)
-

## If You Are Having Difficulty with Your Machine

You can correct most problems yourself. If you think there is a problem with your machine, check the topics below. If you need additional help, visit [support.brother.com](http://support.brother.com) for the latest **FAQs & Troubleshooting** tips.



---

Using non-Brother supplies may affect the scan quality, hardware performance, and machine reliability.





---

- [Scanning and Other Problems](#)
- [AirPrint Scanning Problems](#)
- [Network Problems](#)

## Scanning and Other Problems


### Scanning Difficulties

Difficulties	Cause	Suggestions
<p>TWAIN or WIA errors appear when starting to scan. (Windows)</p>	<p>The TWAIN or WIA driver has not been selected as the primary source in your scanning application.</p>	<p>Make sure the Brother TWAIN or WIA driver is selected as the primary source in your scanning application. For example, in Nuance™ PaperPort™ 14SE, click <b>Scan Settings &gt; Select</b>. Select the Brother TWAIN/WIA driver.</p>
<p>TWAIN errors appear when starting to scan. (Mac)</p>	<p>The TWAIN driver has not been selected as the primary source in your scanning application.</p>	<p>Make sure the Brother TWAIN driver is selected as the primary source in your application.</p>
<p>Vertical lines are seen in the scanned image.</p>	<p>Paper dust has accumulated on the surface of the glass strips.</p>	<p>Clean the glass strips inside the machine. <i>See Related Information: Clean the Scanner and Rollers.</i></p>
<p>The scanned image is missing.</p>	<p>The Paper Guides are not adjusted to fit the width of the document.</p>	<p>Gently adjust the Paper Guides to fit the width of your document. When Scan Size is set to Auto and you are scanning a document that contains multiple page sizes, insert narrow pages straight and as close to the centre of the machine as possible. If the document does not feed straight, use the Continuous Scan option.</p>
	<p>The settings are not appropriate for your document. For example, a Letter/A4-sized document was fed when Executive/A5 was selected as the document size.</p>	<p>Make sure the document size settings are appropriate for your document. Configure the margin settings and adjust the scanning position.</p>
	<p>-</p>	<p>Configure the margin settings and adjust the scanning position.</p>
<p>The scanned image is skewed. (ADS-4700W/ ADS-4900W)</p>	<p>If you use a preset document size, the document skewing cannot be corrected automatically.</p>	<p>Select <b>Auto</b> for <b>Document Size</b>.</p>
<p>The scanned image is skewed.</p>	<p>The Paper Guides are not adjusted to fit the width of the document.</p>	<p>Gently adjust the Paper Guides to fit the width of your document. When Scan Size is set to Auto and you are scanning a document that contains multiple page sizes, insert narrow pages straight and as close to the centre of the machine as possible. If the document does not feed straight, use the Continuous Scan option.</p>
	<p>The Long Paper setting is selected.</p>	<p>Select a setting other than Long Paper.</p>
	<p>The document was curled.</p>	<p>Straighten the curled document and scan again.</p>
<p>Scanning is too slow.</p>	<p>The resolution is not appropriate for your document.</p>	<p>Decrease the scanner resolution.</p>
<p>Scanning has stopped.</p>	<p>The memory is full.</p>	<ul style="list-style-type: none"> <li>• Close other applications before scanning.</li> <li>• Windows Adjust the data transfer rate in the <b>Optimize Data Transfer</b> menu of the TWAIN driver or in Brother iPrint&amp;Scan.</li> </ul>



Difficulties	Cause	Suggestions
The document was not fed.	Paper dust has accumulated on the surface of the Pick Up Roller or Brake Roller.	Clean the Brake Roller and Pick Up Roller. See <i>Related Information: Clean the Scanner and Rollers</i> .
	Too many documents are loaded in the ADF at a time.	Make sure you do not exceed the ADF's capacity. See <i>Related Information: Acceptable Documents</i> .
	There are foreign objects in the ADF.	Remove any foreign objects or ripped paper from the ADF.
	Your media is too thin or too thick.	Make sure your media is acceptable for the machine. See <i>Related Information: Acceptable Documents</i> .
	Remote Setup is in progress.	Cancel Remote Setup.
	Paper ejection has paused.	Remove any paper from the ADF.
	The document was curled.	Straighten the curled document and scan again.
The machine fed multiple documents but scanned only the first document.	Document Separation Switch is set to  (Manual Single Mode).	Set the Document Separation Switch to  (Continuous Feed Mode) and scan again.
The document is jammed.	Paper dust has accumulated on the surface of the Pick Up Roller or Brake Roller.	Clean the Brake Roller and Pick Up Roller. See <i>Related Information: Clean the Scanner and Rollers</i> .
	There are foreign objects in the ADF.	Remove any foreign objects or ripped paper from the ADF.
	Your document is not acceptable for the machine.	Make sure your document is acceptable for the machine. See <i>Related Information: Acceptable Documents</i> .
	The document was curled.	Straighten the curled document and scan again.
	The Document Separation Switch is set to  (Continuous Feed Mode) when scanning documents folded in half, envelopes, or Multi-Layered Transfer Paper.	Set the Document Separation Switch to  (Manual Single Mode) and scan again.
	The Extendable Output Tray is not set to the correct length.	Set the Extendable Output Tray according to the length of the document.
The output documents are scattered.	The Extendable Output Tray is not set to the correct length.	Set the Extendable Output Tray according to the length of the document.
The scan quality is poor.	Paper dust has accumulated on the surface of the Pick Up Roller or Brake Roller.	Clean the Brake Roller and Pick Up Roller. See <i>Related Information: Clean the Scanner and Rollers</i> .
	Paper dust has accumulated on the surface of the glass strips inside the machine.	Clean the glass strips inside the machine. See <i>Related Information: Clean the Scanner and Rollers</i> .
	The scanner resolution is too low.	Increase the scanner resolution.
Bleedthrough is seen in the scanned data.	The settings are not appropriate for the type of document being scanned.	Select the Remove Bleed-through / Pattern / Remove Background Colour check box.

Difficulties	Cause	Suggestions
Colours in the scanned data are dark.	The settings are not appropriate for the type of document being scanned.	Do one of the following: <ul style="list-style-type: none"> <li>• Select the Remove Bleed-through / Pattern / Remove Background Colour check box, and then scan from your computer.</li> <li>• Increase the Brightness, and then scan from your computer.</li> <li>• Increase the Contrast, and then scan from your computer.</li> <li>• Change the Colour Setting/Scan Type to Grey or Colour, and then scan from your computer.</li> </ul>
A page that is not a blank page is skipped.	<ul style="list-style-type: none"> <li>• The document is too faint.</li> <li>• Skip Blank Page is set to On.</li> </ul>	Set Skip Blank Page to Off. Alternatively, reduce the Skip Blank Page sensitivity.
Cannot scan a long document.	Long Paper is not selected for the document size.	Select Long Paper for the document size. To select Long Paper when scanning from the machine's Control Panel, use the following settings: <ul style="list-style-type: none"> <li>• 2-sided Scan: Off</li> <li>• Colour Setting: Other than Auto</li> <li>• Resolution: Lower than 300 dpi</li> <li>• Skip Blank Page: Off</li> </ul> Then, you can select Long Paper for the document size.
A multifeed occurs.	The document is not loaded correctly.	Load your document correctly, and then try again.
	The document was curled.	Straighten the curled document and scan again.
Multifeed cannot be detected even if the Multifeed Detection setting is on.	The documents are too thin.	If the documents are too thin, they may not be detected by the sensor. Scan pages one by one.
Cannot scan.	Secure Function Lock is on. (ADS-4700W/ADS-4900W)	Contact your administrator to check your Secure Function Lock settings. <i>See Related Information: Use Secure Function Lock 3.0.</i>
	The <b>Pull Scan</b> option in the <b>Scan from PC</b> menu in Web Based Management is disabled.	Enable the <b>Pull Scan</b> option.
Cannot scan to a computer from the machine.	<ul style="list-style-type: none"> <li>• Scanning application (for example, Brother iPrint&amp;Scan) is not installed on the computer.</li> <li>• The settings are not configured within the scanning application (for example, Brother iPrint&amp;Scan).</li> </ul>	<ul style="list-style-type: none"> <li>• Install a scanning application (for example, Brother iPrint&amp;Scan).</li> <li>• Configure the settings using a scanning application (for example, Brother iPrint&amp;Scan).</li> </ul>
Auto Start Scan does not start. (ADS-4700W/ADS-4900W)	The settings for Auto Start Scan (Shortcut 57) are incorrect.	Confirm the settings for Auto Start Scan (Shortcut 57).
Cannot Scan to Workflow from the machine. (ADS-4700W/ADS-4900W)	The Scan to Workflow settings are not configured within Brother iPrint&Scan (for Windows and Mac).	Configure the settings using Brother iPrint&Scan (for Windows and Mac). <i>See Related Information: Configure Scan to Workflow Settings Using Brother iPrint&amp;Scan.</i>

## Software Difficulties

Difficulties	Cause	Suggestions
Cannot save the settings in Remote Setup or Web Based Management.	The machine is processing.	Wait until the machine finishes processing, and then try again.
Cannot start Remote Setup.	The machine is turned off.	Turn the machine on, and then try again.
	The machine is not connected to your computer.	Connect the machine to your computer, and then try again.
	An error is occurring.	Clear all errors, check the status is Ready on Remote Setup and then try again.
	The machine is scanning.	Wait until scanning has finished and try again.
	The machine is being configured from the machine's Control Panel. (ADS-4700W/ADS-4900W)	Stop configuring the machine from the Control Panel.
	A USB flash drive is inserted into the machine.	Remove the USB flash drive.
Cannot enter the IP address and Subnet Mask. (ADS-4700W/ADS-4900W)	"000.000.000.000." has already been entered.	Press  to delete the entered information, and then enter the correct information.
The computer has detected a USB flash drive.	A USB flash drive is inserted into the machine and the computer is connected to the machine using a USB cable.	The computer detects the USB flash drive that is inserted into the machine. Remove the USB flash drive so that the computer does not detect it.

## Other Difficulties

Difficulties	Cause	Suggestions
The machine is in Sleep Mode (power save mode).	The machine is idle and the amount of time specified by the Sleep Mode setting has elapsed.	Do one of the following: <ul style="list-style-type: none"> <li>Press .</li> <li>Press . (ADS-4700W/ADS-4900W)</li> <li>Scan using your computer.</li> <li>Open the Front Cover.</li> <li>Load your document.</li> <li>Touch the screen. (ADS-4700W/ADS-4900W)</li> <li>Insert/disconnect the USB flash drive.</li> <li>Insert/disconnect the USB cable from the machine or PC.</li> </ul>
The machine is not turned on.	The machine was plugged in within 60 seconds after pulling out the plug.	Wait 60 seconds, and then turn the machine on.
Your computer cannot find the machine via USB interface.	A USB flash drive is inserted.	Remove the USB flash drive.
	The scanner driver is not installed.	Install the scanner driver.
The <i>Dust Detected</i> message does not disappear. (ADS-4700W/ADS-4900W)	There may be dirt remaining on one of the glass strips inside the machine.	Clean both glass strips correctly. <i>See Related Information: Clean the Scanner and Rollers.</i>



### Related Information

- [If You Are Having Difficulty with Your Machine](#)

---

**Related Topics:**

- [Clean the Scanner and Rollers](#)
  - [Use Secure Function Lock 3.0](#)
  - [Acceptable Documents](#)
  - [Configure Scan to Workflow Settings Using Brother iPrint&Scan](#)
-

## AirPrint Scanning Problems

Difficulty	Suggestions
My Brother machine is not displayed in the scanner list.	Make sure your Brother machine is turned on.
	Make sure your machine and your Mac are correctly connected to the same network.
I cannot scan.	Make sure your Brother machine is turned on.
	Make sure your machine and your Mac are correctly connected to the same network.
	Make sure the scan feature is enabled from <b>Network &gt; Protocol &gt; AirPrint Scanning</b> in Web Based Management.



### Related Information

- [If You Are Having Difficulty with Your Machine](#)



## Network Problems


- [If You Cannot Complete the Wireless Network Setup Configuration](#)
- [Your Scanner Cannot Be Detected on the Network During Installation](#)
- [Your Brother Machine Cannot Scan over the Network](#)
- [If You Want to Check that Your Network Devices are Working Correctly](#)

## If You Cannot Complete the Wireless Network Setup Configuration

**Related Models:** ADS-4700W/ADS-4900W

Turn your wireless router off and back on. If that does not resolve the problem, try to configure the wireless settings again. If this still does not resolve the problem, use the Actions listed in this table.

Cause	Action	Interface
Your security settings (SSID/ Network Key (Password)) are not correct.	<p>Confirm your security settings.</p> <ul style="list-style-type: none"> <li>The manufacturer's name or model number of the wireless access point/router may be used as the default security settings.</li> <li>See the instructions supplied with your wireless access point/router for information on how to find the security settings.</li> <li>Ask the manufacturer of your wireless access point/router, your Internet provider, or your network administrator.</li> </ul>	Wireless
Your Brother machine's MAC address is not allowed.	Confirm that the Brother machine's MAC Address is allowed in the filter. You can find the MAC address using the Brother machine's control panel.	Wireless
Your wireless access point/router is in stealth mode (not broadcasting the SSID).	<ul style="list-style-type: none"> <li>Enter the correct Network Name (SSID) and Network Key (Password) manually.</li> <li>Check the Network Name (SSID) and Network Key (Password) in the instructions supplied with your wireless access point/router and reconfigure the wireless network setup.</li> </ul>	Wireless
Your security settings (SSID/ Password) are not correct.	<p>Confirm the Network Name (SSID) and Network Key (Password). When you are configuring the network manually, the SSID and password are displayed on your Brother machine. If your mobile device supports the manual configuration, the SSID and password will be displayed on your mobile device's screen.</p>	Wi-Fi Direct
Your Brother machine is placed too far from your mobile device.	Move your Brother machine within about 1 metre of the mobile device when you configure the Wi-Fi Direct network settings.	Wi-Fi Direct
There are some obstructions (walls or furniture, for example) between your machine and the mobile device.	Move your Brother machine to an obstruction-free area.	Wi-Fi Direct
There is a wireless computer, Bluetooth®-supported device, microwave oven, or digital cordless phone near the Brother machine or the mobile device.	Move other devices away from the Brother machine or the mobile device.	Wi-Fi Direct
If you have checked and tried all of the actions, but still cannot complete the Wi-Fi Direct configuration.	Turn your Brother machine off and back on. Then try to configure the Wi-Fi Direct settings again.	Wi-Fi Direct
Your machine is in Sleep Mode and cannot configure the network settings on Web Based Management.	Turn off the Sleep Mode.	Wireless
The enterprise wireless network is not configured correctly.	Configure the settings in Web Based Management.	Wireless



Cause	Action	Interface
<p>The current channel of your wireless LAN access point/router is not supported by your machine when you are trying to connect your machine to a 5 GHz Wi-Fi network. (ADS-4900W)</p>	<p>Change the channel on your wireless LAN access point/router to the channel supported by your machine.</p> <ol style="list-style-type: none"> <li>1. Confirm the channels supported by your machine. Go to <a href="http://support.brother.com/g/d/a5m6/">support.brother.com/g/d/a5m6/</a>, select your product, and then click <b>Download</b> for more information.</li> <li>2. Check your wireless LAN access point/router's channel setting. Make sure it is set to one of the channels supported by your machine and not set to "Auto" or "Automatic". For more information about changing the channel setting, see the instructions supplied with your wireless LAN access point/router.</li> <li>3. Try to connect your machine to your Wi-Fi network again.</li> </ol>	Wireless
<p>Your Brother machine cannot connect to the Wi-Fi Direct and Wi-Fi networks at the same time on a 5 GHz Wi-Fi network. (ADS-4900W)</p>	<p>Use the 2.4 GHz band for the connection. Press  Settings &gt; Network &gt; WLAN (Wi-Fi) &gt; 5GHz Frequency Band Enable and change the setting to Off.</p>	Wireless/Wi-Fi Direct



## Related Information

- [Network Problems](#)

## Your Scanner Cannot Be Detected on the Network During Installation

Cause	Action
Your computer is not connected to the network.	Make sure your computer is connected to a network, for example, a Wireless LAN environment or has Internet access. For further support, contact your network administrator.
Your machine is not connected to the network.	<p>(Wired network)</p> <ul style="list-style-type: none"> <li>ADS-4700W/ADS-4900W Press  Settings &gt; Network &gt; Wired LAN &gt; Wired Status &gt; Status. If the LCD displays Inactive or Off, ask your network administrator if your IP address is valid.</li> <li>ADS-4300N Ask your network administrator if your IP address is valid.</li> </ul> <p>(Wireless network)</p> <ul style="list-style-type: none"> <li>ADS-4700W/ADS-4900W Press  Settings &gt; Network &gt; WLAN (Wi-Fi) &gt; WLAN Status &gt; Status. If the LCD displays Connection Failed, ask your network administrator if your IP address is valid.</li> </ul>
You use security software.	<ul style="list-style-type: none"> <li>In the installer dialog box, search for the Brother machine again.</li> <li>Allow access when the alert message of the security software appears during the Brother Device installation.</li> <li>The following port numbers are used for Brother network features: <ul style="list-style-type: none"> <li>Network scanning Port number 5566/Protocol TCP</li> <li>Network scanning (Brother iPrint&amp;Scan) Port number 54921/Protocol TCP</li> <li>BRAdmin Light Port number 161/Protocol UDP</li> </ul> </li> <li>For more information about security software, see <i>Related Information: Your Brother Machine Cannot Scan over the Network</i>.</li> </ul>
You use a Wi-Fi router.	The privacy separator on your Wi-Fi router may be enabled. Disable the privacy separator.
Your Brother machine is placed too far from the Wireless access point/router.	Place your Brother machine within about 1 metre of the Wireless access point/router when you configure the wireless network settings.
There are some obstructions (walls or furniture, for example) between your machine and the Wireless access point/router.	Move your Brother machine to an obstruction-free area, or closer to the Wireless access point/router.
There is a wireless computer, Bluetooth®-supported device, microwave oven, or digital cordless phone near the Brother machine or the Wireless access point/router.	Move all the devices away from the Brother machine or Wireless access point/router.



### Related Information




- [Network Problems](#)





---

**Related Topics:**

- [Your Brother Machine Cannot Scan over the Network](#)
  - [If You Want to Check that Your Network Devices are Working Correctly](#)
-

## Your Brother Machine Cannot Scan over the Network

Cause	Action
You did not select Accept in the security alert dialog box during the Brother Device installation, applications' start-up process, or when using the scanning features.	If you did not select Accept in the security alert dialog box, the firewall function of your security software may be denying access. Some security software may block access without showing a security alert dialog box. To allow access, see your security software instructions or ask the manufacturer.
Your security software blocks your machine's access to the network. (The Network scanning feature does not work. )	<ul style="list-style-type: none"> <li>Windows Configure the third-party Security/Firewall Software to allow Network scanning. To add port 54925 for Network scanning, type the information below: <ul style="list-style-type: none"> <li>in <b>Name</b>: Type any description, for example Brother NetScan.</li> <li>in <b>Port number</b>: Type 54925.</li> <li>in <b>Protocol</b>: UDP is selected.</li> </ul> See the instruction manual that came with your third-party Security/Firewall Software or contact the software manufacturer.</li> <li>Mac Reinstall the driver.</li> </ul>
Your security software blocks your machine's access to the network.	The following port numbers are used for Brother network features: <ul style="list-style-type: none"> <li>Network scanning Port number 5566/Protocol TCP</li> <li>Network scanning (Brother iPrint&amp;Scan) Port number 54921/Protocol TCP</li> <li>BRAdmin Light Port number 161/Protocol UDP</li> </ul> For information about how to open the port, see the security software instructions or ask the manufacturer.
Your Brother machine was not assigned an available IP address.	Confirm the IP address and the Subnet Mask. Verify that both the IP addresses and Subnet Masks of your computer and the Brother machine are correct and located on the same network. For more information about how to verify the IP address and the Subnet Mask, ask your network administrator.
You cannot connect the Brother machine to the network using wireless capabilities.	<ul style="list-style-type: none"> <li>ADS-4700W/ADS-4900W Press  Settings &gt; Network &gt; WLAN (Wi-Fi) &gt; WLAN Status &gt; Status. If the LCD displays Connection Failed, ask your network administrator if your IP address is valid.</li> </ul>
Because the machine does not support Kerberos authentication, Network scanning cannot be used.	Change the server settings or change the destination folder where your document will be stored in the Scan to Network Profile from Web Based Management.
Your Brother machine is connected to a different wireless network. (ADS-4900W)	Check the LCD to see your connection status. <ul style="list-style-type: none"> <li> Your machine is connected to the wireless network.</li> <li></li> </ul>

Cause	Action
	<p>The wireless setting is disabled. To connect to the wireless network, press  &gt; WLAN (Wi-Fi) Enable, and then change the setting to On.</p> <ul style="list-style-type: none"> <li data-bbox="526 257 622 313">•  Your machine is connected to the Wi-Fi Direct network.</li> <li data-bbox="526 347 622 414">•  Your machine is not connected to the Wi-Fi Direct network. Press  &gt; Wi-Fi Direct Enable, and then change the setting to On.</li> </ul>

If you have checked and tried all of the actions, but your machine still cannot scan, uninstall the Brother software and drivers and reinstall them.





## Related Information

- [Network Problems](#)

### Related Topics:

- [Your Scanner Cannot Be Detected on the Network During Installation](#)
- [If You Want to Check that Your Network Devices are Working Correctly](#)

## If You Want to Check that Your Network Devices are Working Correctly

Check	Action
Check that your Brother machine, access point/router, or network hub is turned on.	<p><b>Check the following:</b></p> <ul style="list-style-type: none"> <li>The power cord is connected correctly and the Brother machine is turned on.</li> <li>The access point/router or hub is turned on and its link indicator is blinking.</li> <li>All protective packaging has been removed from the machine.</li> <li>The Front Cover, Brake Roller Cover and Pick-up Roller Cover are completely closed.</li> </ul>
Check your Brother machine's network settings, such as IP address, or the link status.	<ul style="list-style-type: none"> <li>For Web Based Management (supported models only) Start Web Based Management and access your Brother machine. When the Web Based Management screen appears, click <b>Network &gt; Network &gt; Network Status</b>.</li> <li>For your machine's LCD (supported models only) (Wired network) <ul style="list-style-type: none"> <li>ADS-4700W/ADS-4900W</li> </ul> <p>Press  <b>Settings &gt; Network &gt; Wired LAN &gt; Wired Status &gt; Status</b>. If the LCD displays <i>Inactive</i> or <i>Off</i>, ask your network administrator if your IP address is valid.</p> (Wireless network) <ul style="list-style-type: none"> <li>ADS-4700W/ADS-4900W</li> </ul> <p>Press  <b>Settings &gt; Network &gt; WLAN (Wi-Fi) &gt; WLAN Status &gt; Status</b>. If the LCD displays <i>Connection Failed</i>, ask your network administrator if your IP address is valid.</p> </li> </ul>
Check that you can "ping" the Brother machine from your computer.	<p>Ping the Brother machine from your computer using the IP address or the node name in the Windows command prompt or Mac Terminal application:</p> <pre>ping &lt;ipaddress&gt; or &lt;nodename&gt;.</pre> <ul style="list-style-type: none"> <li>Successful: Your Brother machine is working correctly and connected to the same network as your computer.</li> <li>Unsuccessful: Your Brother machine is not connected to the same network as your computer.</li> <li>Confirm that the IP address and the Subnet Mask are set correctly.</li> </ul>

If you have checked and tried all of the actions but you are still having problems, see the instructions supplied with your wireless access point/router to find the SSID and the Network Key (Password) information and set them correctly.

### Related Information

- [Network Problems](#)

#### Related Topics:

- [Your Brother Machine Cannot Scan over the Network](#)
- [Your Scanner Cannot Be Detected on the Network During Installation](#)



## Check the Serial Number


>> ADS-4300N

>> ADS-4700W/ADS-4900W

### ADS-4300N

1. Do one of the following:

- Windows

Launch  (**Brother Utilities**), and then click the drop-down list and select your model name (if not already selected). Click **Tools** in the left navigation bar, and then click **Remote Setup**.

- Mac

In the **Finder** menu bar, click **Go > Applications > Brother**, select your model name, and then double-click the **Brother Remote Setup** icon.

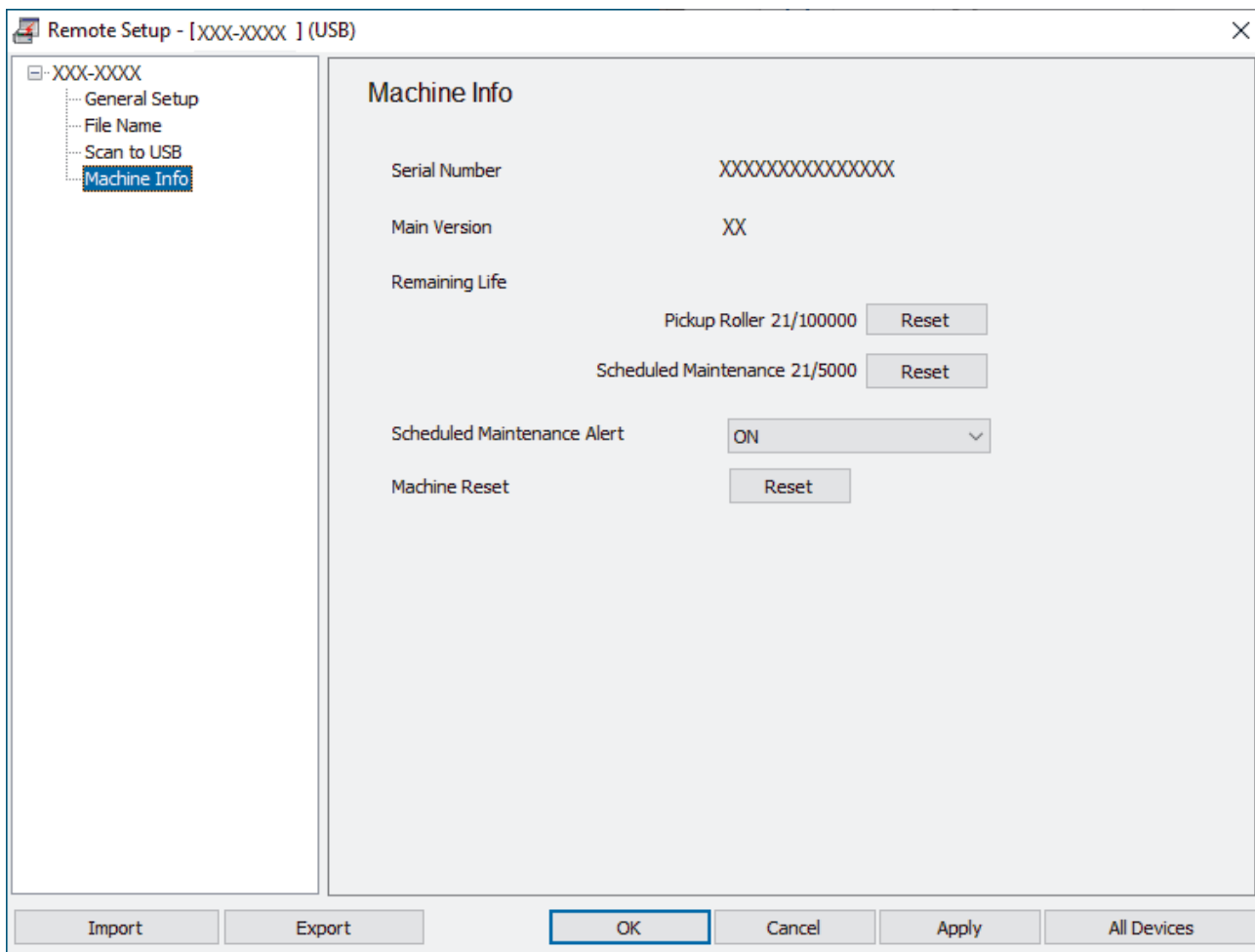
If the Discover Devices dialog box appears, select your model name and then click **Connect**.



If your machine is connected via a network, we recommend using Web Based Management to check the information.

2. Click the **Machine Info** menu in the left navigation pane.

The window displays the **Serial Number** (the example below uses Windows).



### ADS-4700W/ADS-4900W

- Press  [Settings] > [Machine Info.] > [Serial No.].

The LCD displays [Serial No.].



## Related Information

- [Troubleshooting](#)

### **Related Topics:**

- [Access Web Based Management](#)
-

## Reset Your Brother Machine

Select from the following reset functions:

- **Machine Reset**  
To reset any machine settings that you have changed, perform a Machine Reset.  
Network settings are not affected by this reset.
- **Network Reset**  
Use Network Reset to restore network settings, including password and IP address information, to the factory settings.
- **Address Book Reset (ADS-4700W/ADS-4900W)**  
Reset the Address Book to delete all existing contact information.




Unplug the interface cable before you perform a Network reset.

>> [ADS-4300N](#)

>> [ADS-4700W/ADS-4900W](#)


### ADS-4300N

1. Do one of the following:
  - **Windows**  
Launch  (**Brother Utilities**), and then click the drop-down list and select your model name (if not already selected). Click **Tools** in the left navigation bar, and then click **Remote Setup**.
  - **Mac**  
In the **Finder** menu bar, click **Go > Applications > Brother**, select your model name, and then double-click the **Brother Remote Setup** icon.  
If the Discover Devices dialog box appears, select your model name and then click **Connect**.
2. Click the **Machine Info** menu in the left navigation pane.
3. Click the **Reset** button in **Machine Reset**.
4. Click **OK** to close the Remote Setup window.



You must use Web Based Management to reset your machine's Network Settings.

### ADS-4700W/ADS-4900W

1. Press  [Settings] > [Initial Setup] > [Reset].
2. Press the reset option you want to use.
3. Press [OK] for two seconds to restart the machine.



### Related Information

- [Troubleshooting](#)

#### Related Topics:

- [Reset the Network Settings to Factory Default](#)


## **Routine Maintenance**

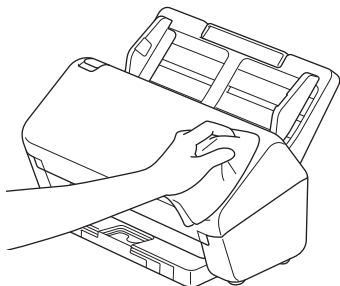
- [Clean Your Brother Machine](#)
- [Replace Supplies](#)
- [Pack and Ship Your Brother Machine](#)

## Clean Your Brother Machine

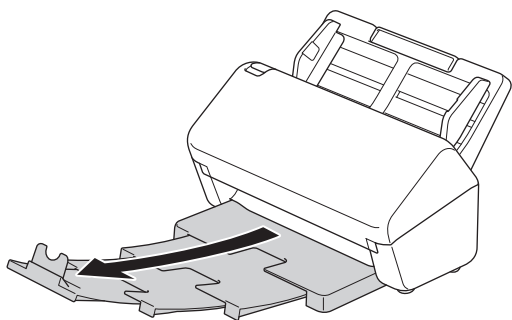
- [Clean the Outside of the Machine](#)
- [Clean the Scanner and Rollers](#)

## Clean the Outside of the Machine

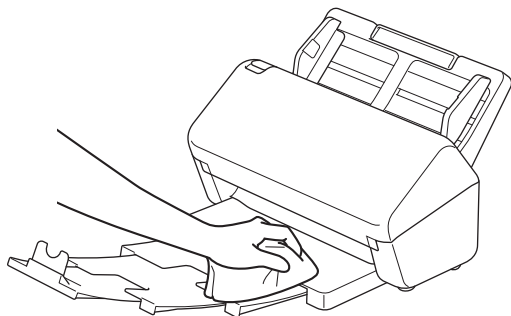
1. Press and hold  to turn the machine off.
2. Wipe the Control Panel with a dry, soft, lint-free cloth to remove dust.



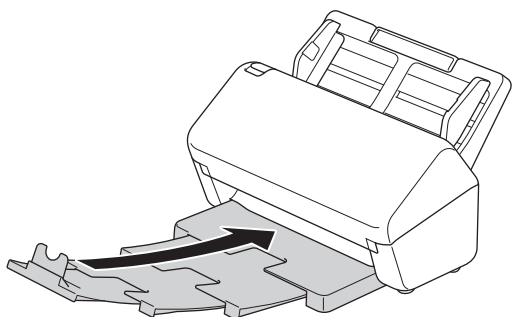
3. Extend the Output Tray.




4. Wipe the inside of the Output Tray with a dry, soft, lint-free cloth to remove dust.



5. Firmly push the Output Tray into the machine.



6. Press  to turn the machine on.



### Related Information

- [Clean Your Brother Machine](#)


## Clean the Scanner and Rollers

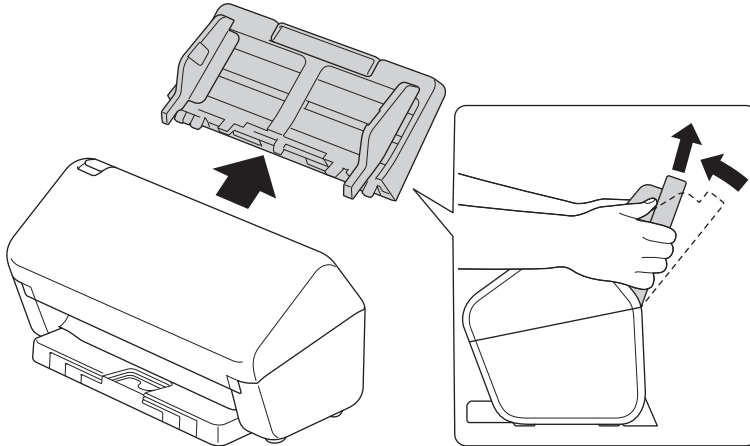
A spot of dirt or correction fluid on the glass strip may cause poor quality scans. Clean the scanner and rollers if a vertical line appears in the scanned data or if areas are missing in the scanned data.

>> [ADS-4300N/ADS-4700W](#)

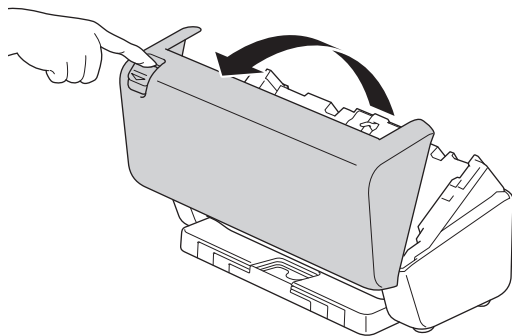
>> [ADS-4900W](#)

### ADS-4300N/ADS-4700W

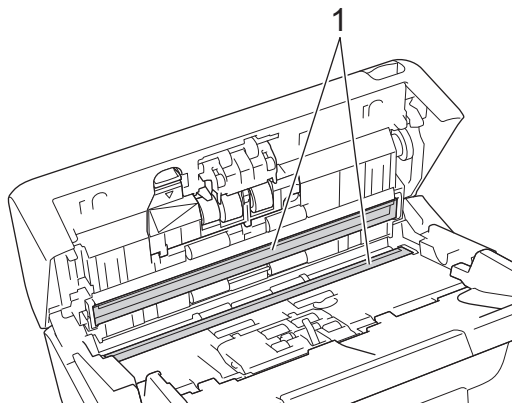
1. Press and hold  to turn the machine off.
2. Remove the ADF.



3. Press the release tab to open the Front Cover.

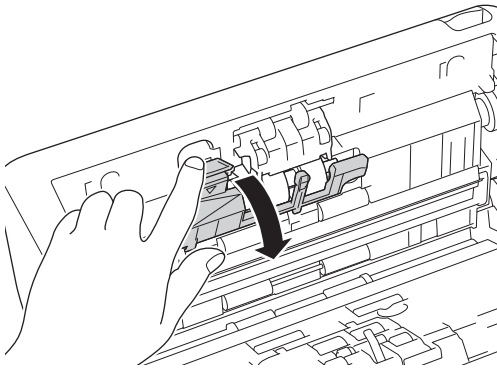


4. From the back of the machine, clean the glass strips (1) in the ADF unit with a soft lint-free cloth. Make sure that both glass strips are clean.

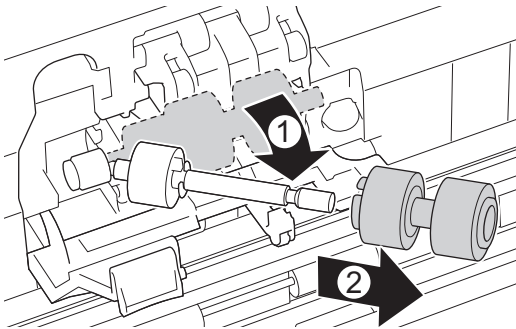


(ADS-4700W) If the glass strips are dirty and the [Dust Detection] function is On, a maintenance message appears on the LCD. Tap the message to confirm where there may be dust or dirt on the glass strips, and then clean those areas.

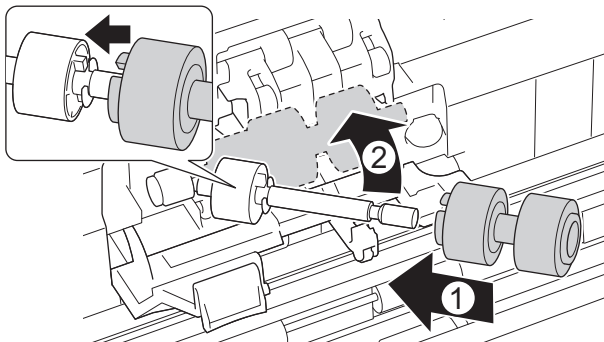
5. Press the upper left side of the Brake Roller Cover downwards and pull it down.



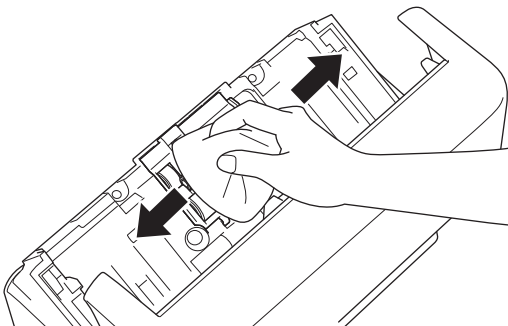
6. Hold the Brake Roller shaft and pull it towards you, and then remove the Brake Roller by pulling it out and to the right.




7. Clean the Brake Roller with a soft lint-free cloth slightly moistened with water.
8. Insert the Brake Roller into the shaft, and then insert the Brake Roller into the machine.



9. Close the Brake Roller Cover.
10. Clean the Pick Up Rollers from side to side with a soft lint-free cloth slightly moistened with water.



11. Close the Front Cover and attach the ADF.
12. Press  to turn the machine on.

## NOTE

(ADS-4700W)



When [Scheduled Maintenance Alert] appears on the machine's LCD, you must clean the machine promptly. If you do not, document jams and paper feed problems may occur.

First, run your fingertip over the glass to see if you feel anything (dirt or debris). Clean the glass strips with a soft lint-free cloth. You may have to repeat the cleaning process three or four times. To test, scan a document after each cleaning attempt.



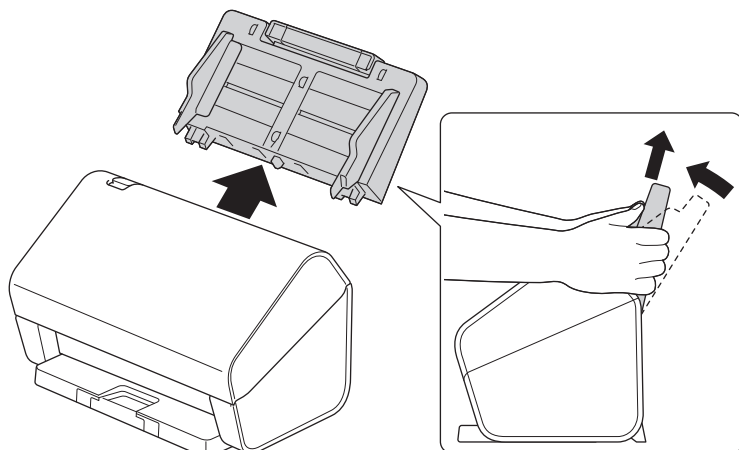
When there is a spot of dirt or correction fluid on the glass strip, the scanned sample shows a vertical line.



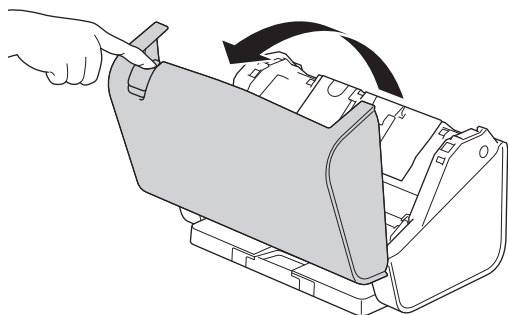
After the glass strip is cleaned, the vertical line is gone.

## ADS-4900W

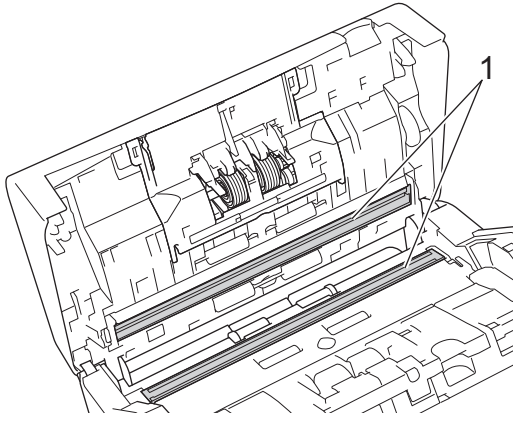
1. Press and hold  to turn the machine off.
2. Remove the ADF.



3. Press the release tab to open the Front Cover.

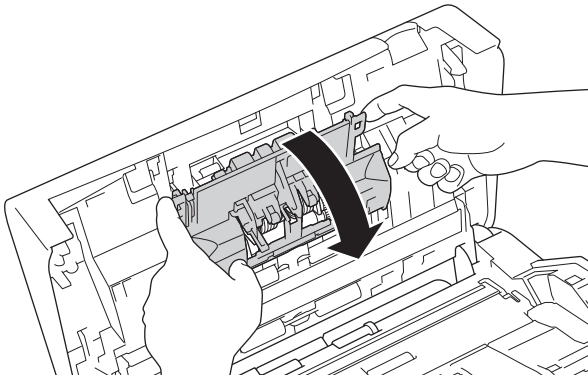


4. From the back of the machine, clean the glass strips (1) in the ADF unit with a soft lint-free cloth. Make sure that both glass strips are clean.

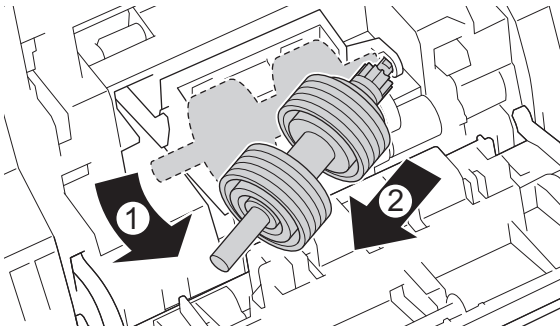


If the glass strips are dirty and the [Dust Detection] function is On, a maintenance message appears on the LCD. Tap the message to confirm where there may be dust or dirt on the glass strips, and then clean those areas.

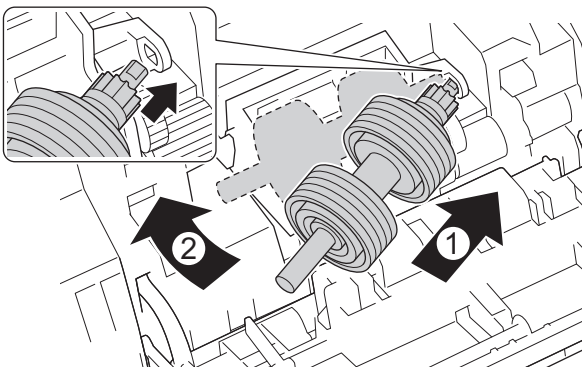
5. Press the both sides of the Brake Roller Cover inwards at the same time and pull the cover down.



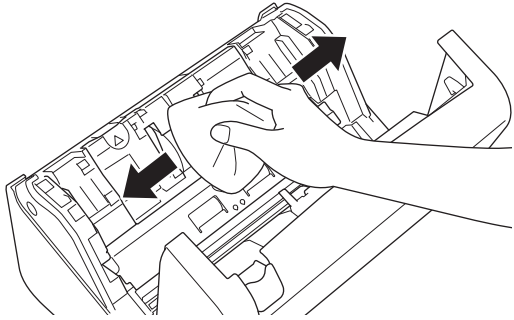
6. Lift the Brake Roller with your finger to remove it.




7. Clean the Brake Roller with a soft lint-free cloth slightly moistened with water.
8. Fit the shaft of the Brake Roller into the slot in the opening and insert the Brake Roller into the machine.



9. Close the Brake Roller Cover.
10. Clean the Pick Up Roller from side to side with a soft lint-free cloth slightly moistened with water.



11. Close the Front Cover and attach the ADF.

12. Press  to turn the machine on.

## NOTE

When [Scheduled Maintenance Alert] appears on the machine's LCD, you must clean the machine promptly. If you do not, document jams and paper feed problems may occur.

First, run your fingertip over the glass to see if you feel anything (dirt or debris). Clean the glass strips with a soft lint-free cloth. You may have to repeat the cleaning process three or four times. To test, scan a document after each cleaning attempt.



When there is a spot of dirt or correction fluid on the glass strip, the scanned sample shows a vertical line.



After the glass strip is cleaned, the vertical line is gone.



## Related Information

- [Clean Your Brother Machine](#)

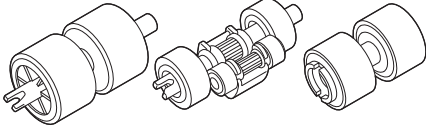
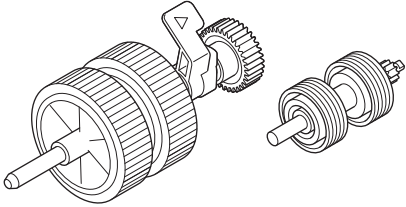
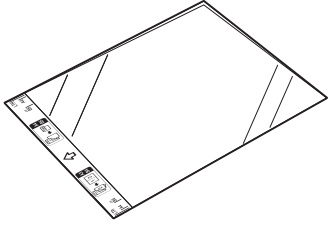
### Related Topics:

- [Error and Maintenance Indications](#)
- [Document Jam](#)
- [Scanning and Other Problems](#)

## Replace Supplies

- [Replacement Supplies and Optional Accessories](#)
- [Check Replacement Cycles for Your Supplies](#)
- [Replace the Roller Kit \(ADS-4300N/ADS-4700W\)](#)
- [Replace the Roller Kit \(ADS-4900W\)](#)

## Replacement Supplies and Optional Accessories

Part Name	Part No.	Standard Replacement Cycle
<p><b>Roller Kit</b> (ADS-4300N/ADS-4700W)</p> 	PRK-A3001	100,000 sheets
<p><b>Roller Kit</b> (ADS-4900W)</p> 	PRK-A4001	200,000 sheets
<p><b>Carrier Sheet (x2)</b></p> 	CS-A3301	500 times

### ✓ Related Information

- [Replace Supplies](#)

## Check Replacement Cycles for Your Supplies

Check machine parts regularly to maintain scan quality.


>> [ADS-4300N](#)

>> [ADS-4700W/ADS-4900W](#)

### ADS-4300N

1. Do one of the following:

- Windows

Launch  (**Brother Utilities**), and then click the drop-down list and select your model name (if not already selected). Click **Tools** in the left navigation bar, and then click **Remote Setup**.

- Mac

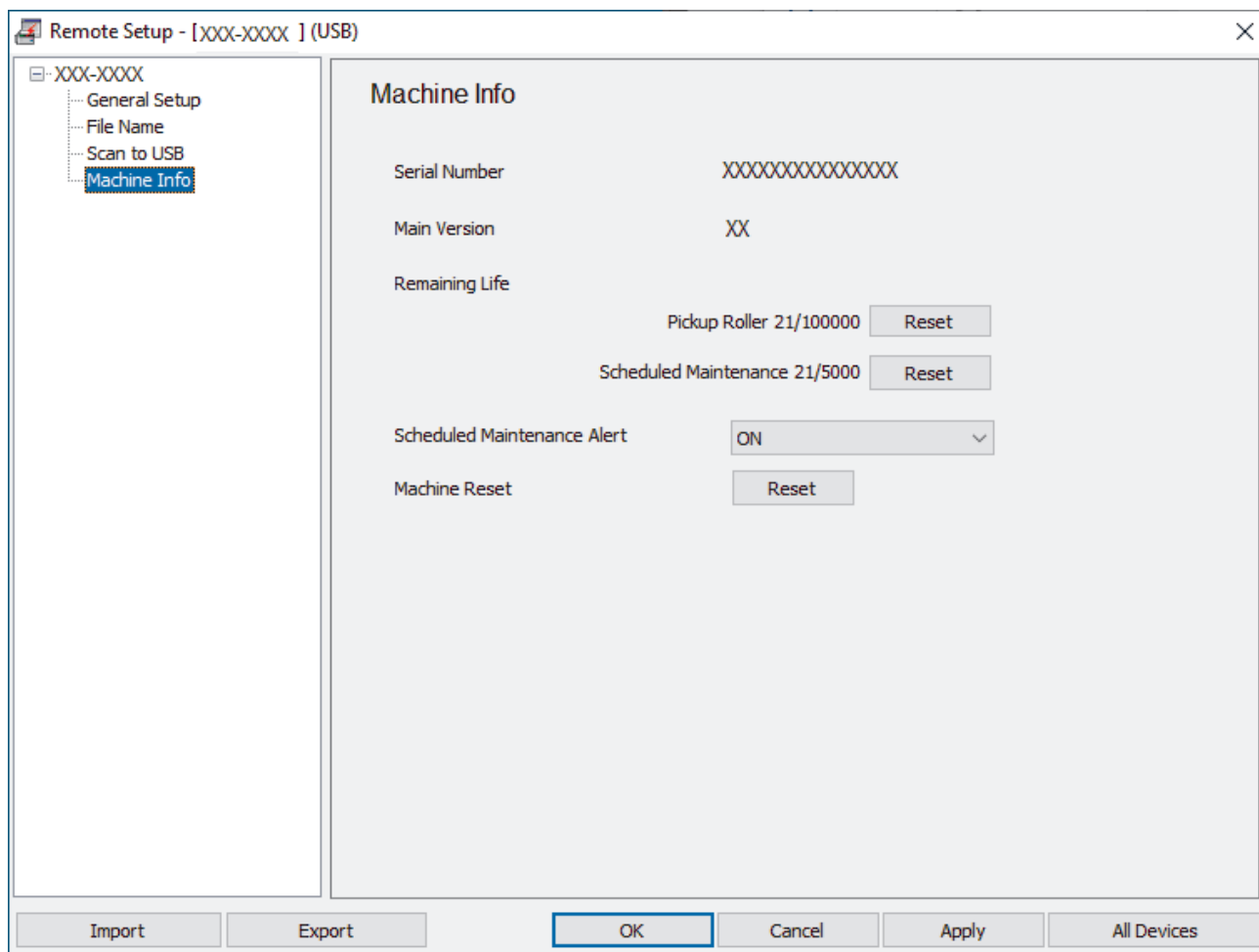
In the **Finder** menu bar, click **Go > Applications > Brother**, select your model name, and then double-click the **Brother Remote Setup** icon.

If the Discover Devices dialog box appears, select your model name and then click **Connect**.




If your machine is connected via a network, we recommend using Web Based Management to check the information.

2. Click **Machine Info** in the left navigation pane to check the remaining life of the Pick Up Roller (the example below uses Windows).



### ADS-4700W/ADS-4900W

- Press  [Settings] > [Machine Info.] > [Usage Counters].

---

The LCD displays [Roller Count].



---

If the LCD indicates that it is time to replace the Pick Up Roller, we recommend ordering the replacement Roller Kit so that you have it available.

---



### **Related Information**

---

- [Replace Supplies](#)

#### **Related Topics:**

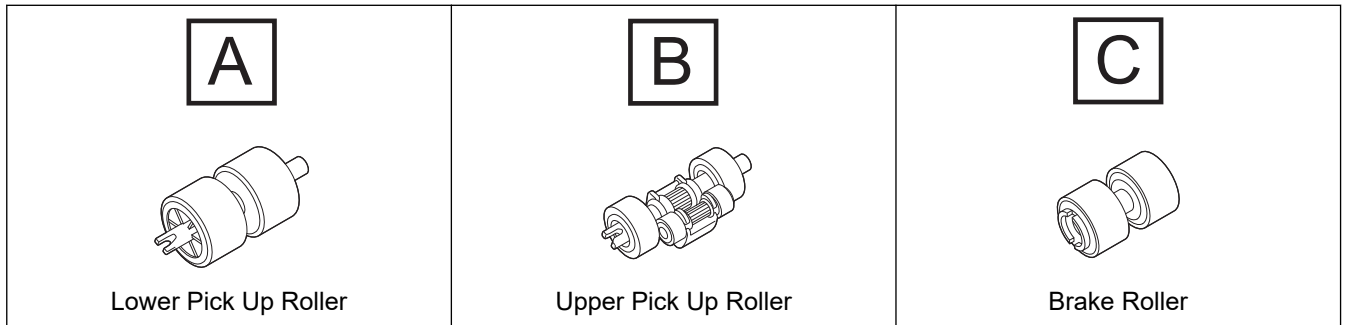
- [Access Web Based Management](#)
-

## Replace the Roller Kit (ADS-4300N/ADS-4700W)

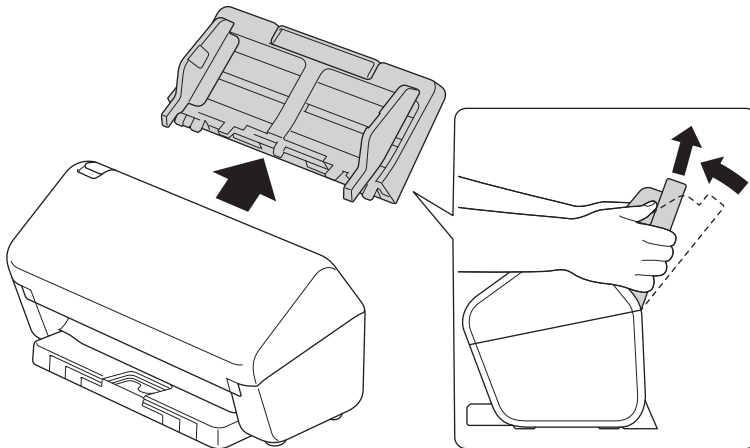
**Related Models:** ADS-4300N/ADS-4700W

Your machine is equipped with a scan counter that automatically counts how many times the machine has scanned. After approximately 100,000 scans, you may need to replace the Roller Kit.

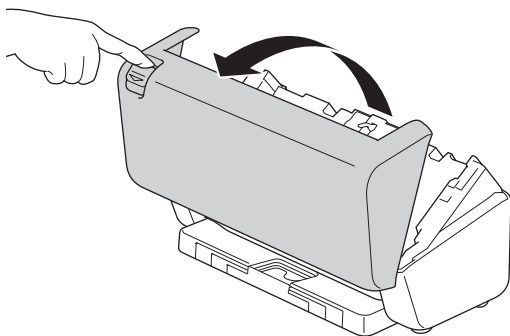
After replacing the rollers, reset the Usage Counter so that the machine starts counting from 0.



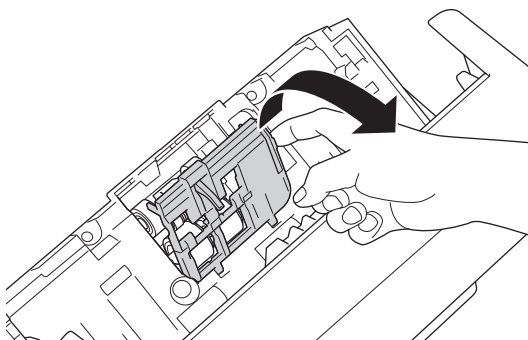
1. Remove the ADF.



2. Press the release tab to open the Front Cover.

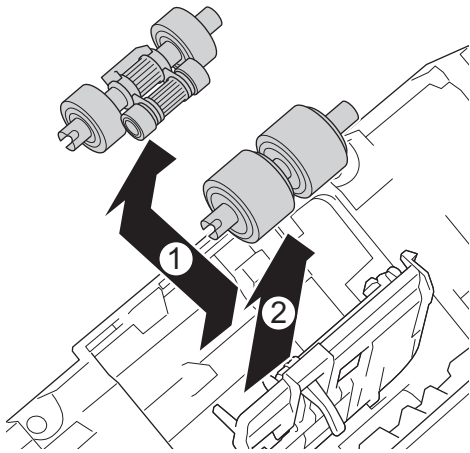


3. Press the right side of the Pick Up Roller Cover towards the left and pull it down.

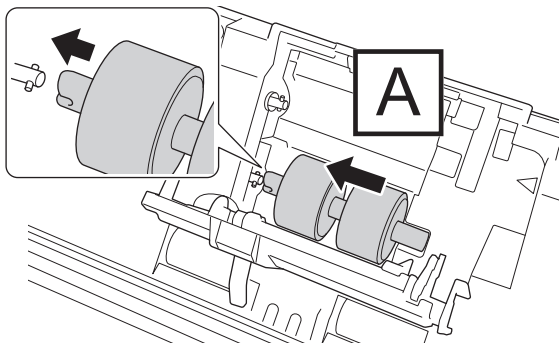


4. Remove both Pick Up Rollers.

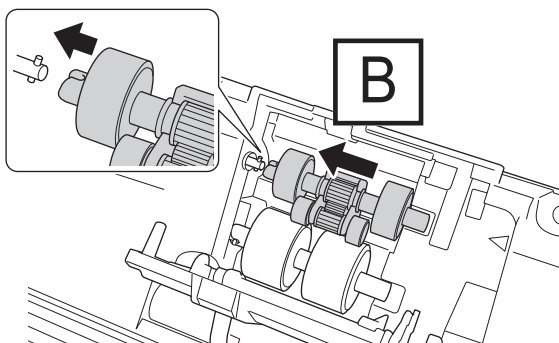




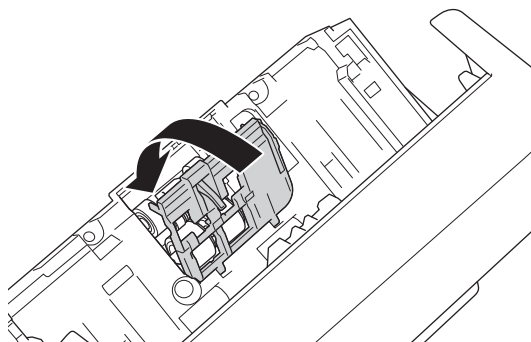
5. Fit the new Lower Pick Up Roller into the opening, and then slide it to the left onto the shaft.



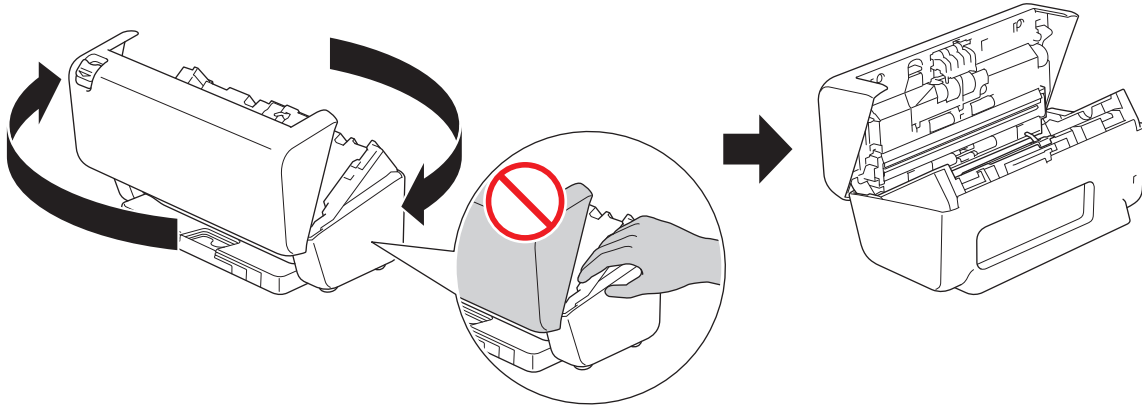
6. Fit the new Upper Pick Up Roller into the opening, and then slide it to the left onto the shaft.



7. Close the Pick Up Roller Cover.



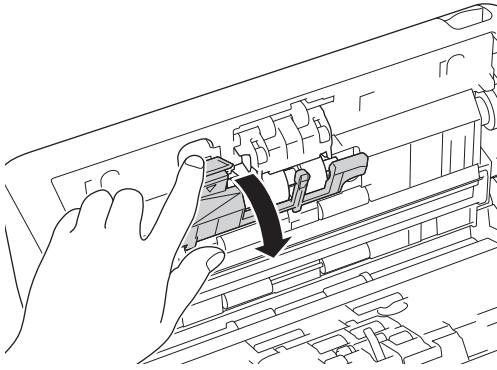
8. Turn the machine around, as shown.



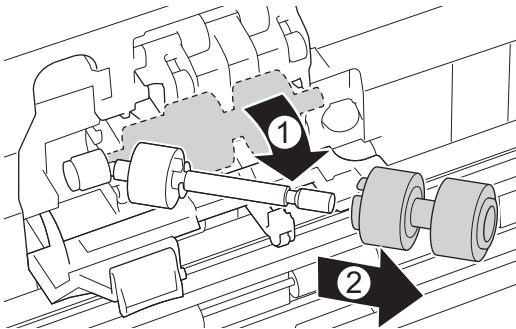
## ⚠ CAUTION

Some areas of the machine can cause injury if the Front Cover (shaded area shown) is closed with force. Be careful when placing your hand in or near the shaded area.

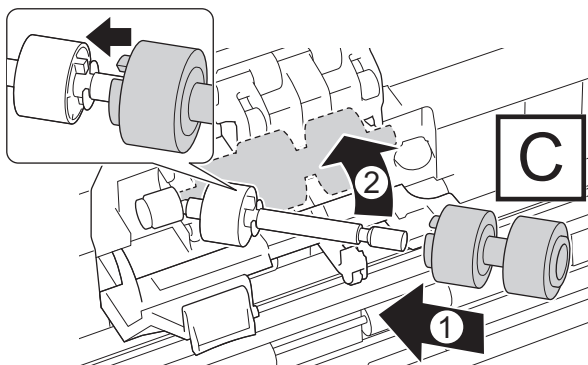
9. Press the upper left side of the Brake Roller Cover downwards and pull it down.



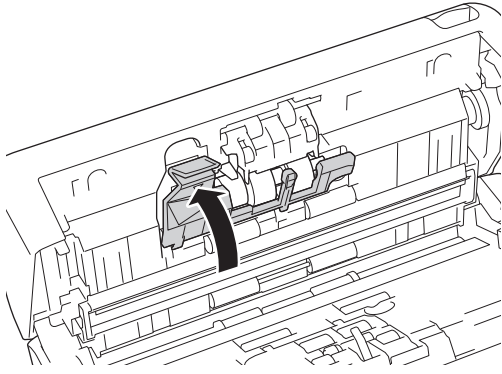
10. Hold the Brake Roller shaft and pull it towards you, and then remove the Brake Roller by pulling it out and to the right.



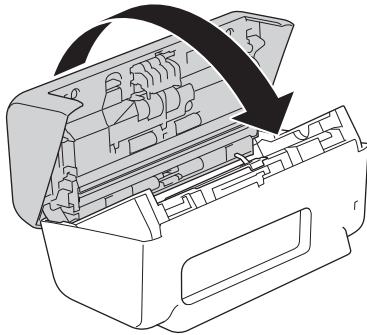
11. Thread the new Brake Roller onto the shaft, and then insert the Brake Roller into the machine.



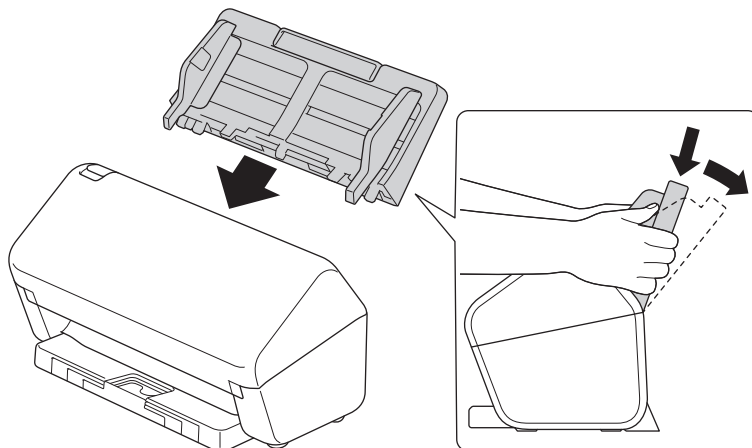
12. Close the Brake Roller Cover.



13. Close the Front Cover and turn the machine to face forwards.



14. Attach the ADF firmly until it locks into place.




15. Reset the Roller Counter:

- **ADS-4300N**

a. Do one of the following:

- Windows

Launch  (**Brother Utilities**), and then click the drop-down list and select your model name (if not already selected). Click **Tools** in the left navigation bar, and then click **Remote Setup**.

- Mac

In the **Finder** menu bar, click **Go > Applications > Brother**, select your model name, and then double-click the **Brother Remote Setup** icon.


If the Discover Devices dialog box appears, select your model name and then click **Connect**.

b. Click **Machine Info** in the left navigation pane.

c. Go to the **Remaining Life** section, click the **Reset** button to reset the Pick Up Roller counter.

d. Click **OK** to close the Remote Setup window.

- **ADS-4700W**

a. Press  [Settings] > [Machine Info.] > [Usage Counters].

b. Press [Roller Count].

c. When the LCD displays a confirmation message, press [Yes].

---

d. Press .



## Related Information

- [Replace Supplies](#)

### Related Topics:

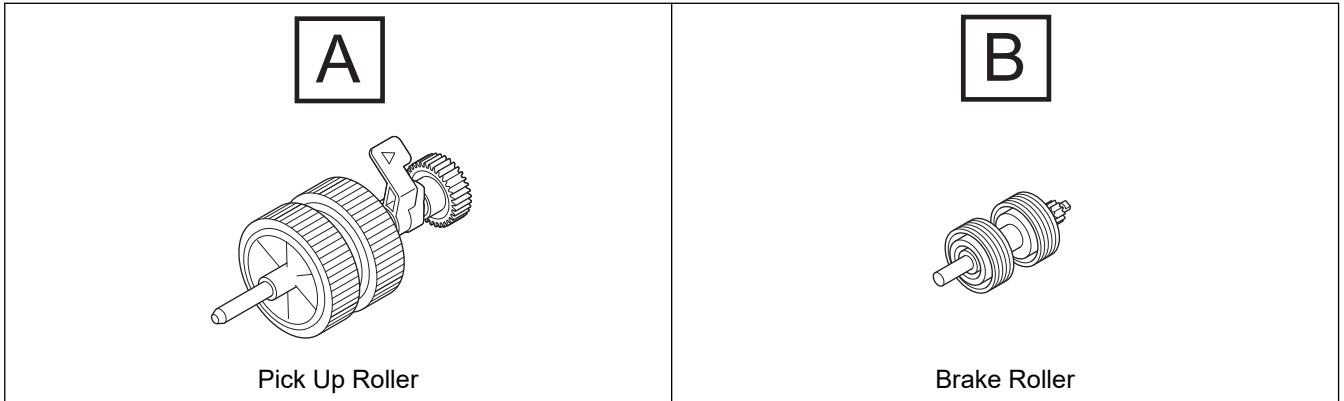
- [Error and Maintenance Indications](#)
-

## Replace the Roller Kit (ADS-4900W)

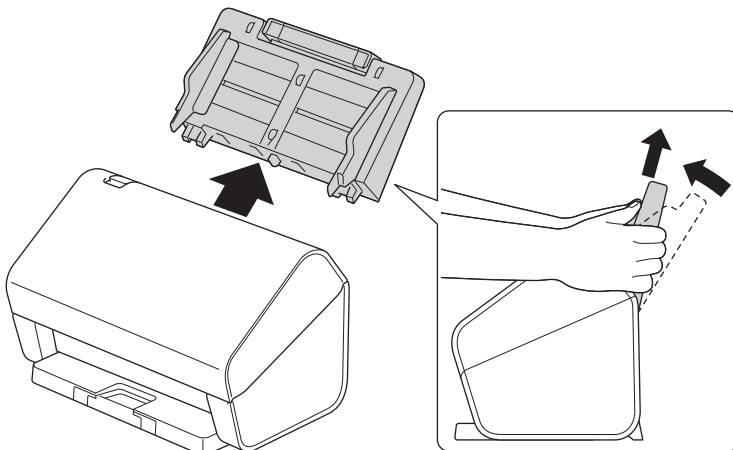
Related Models: ADS-4900W

Your machine is equipped with a scan counter that automatically counts how many times the machine has scanned. After approximately 200,000 scans, you may need to replace the Roller Kit.

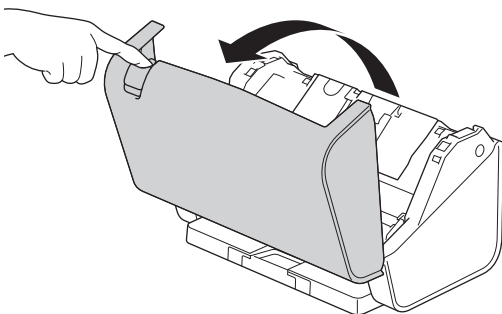
After replacing the rollers, reset the Usage Counter so that the machine starts counting from 0.



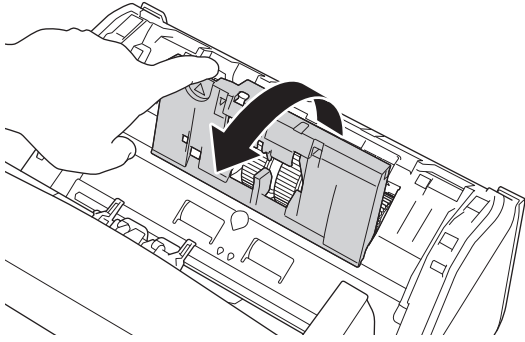
1. Remove the ADF.



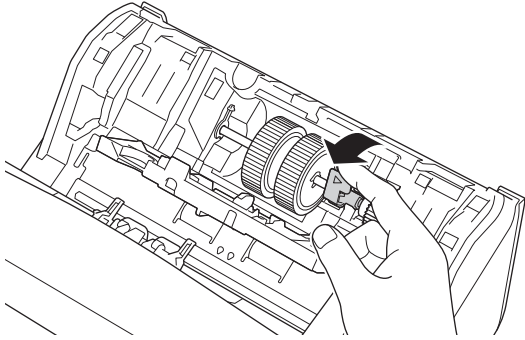
2. Press the release tab to open the Front Cover.



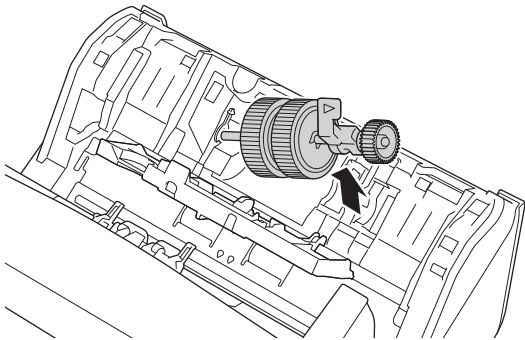
3. Press the upper left side of the Pick Up Roller Cover downwards and pull the cover down.



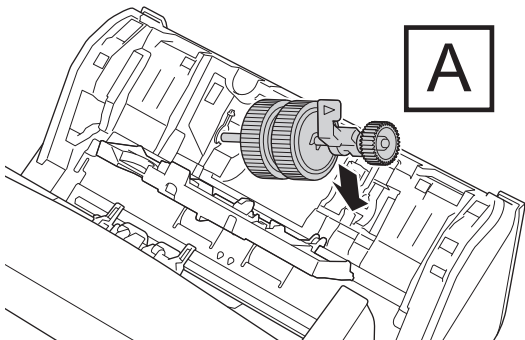
4. Pull down the Pick Up Roller Lever.



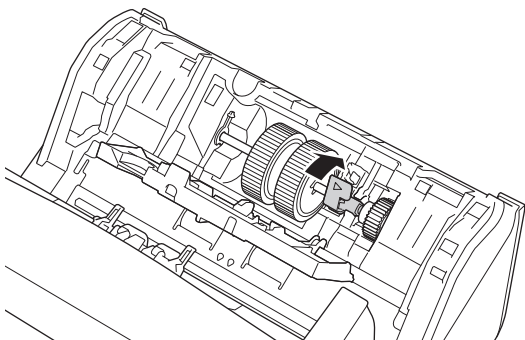
5. Remove the Pick Up Roller.



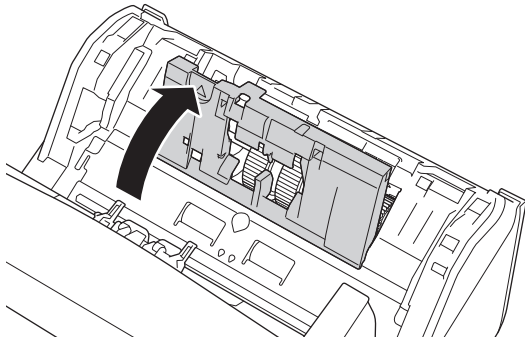
6. Insert the new Pick Up Roller into the machine.



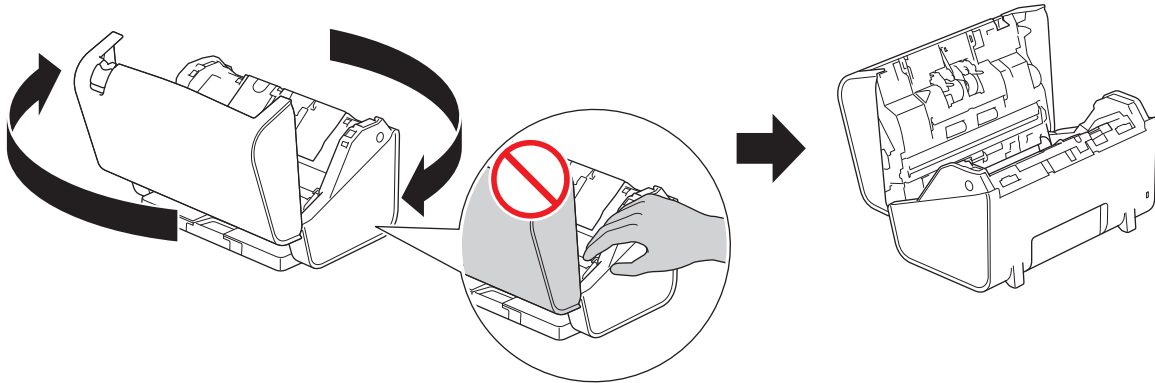
7. Rotate the lever until the Pick Up Roller locks into place.



8. Close the Pick Up Roller Cover.



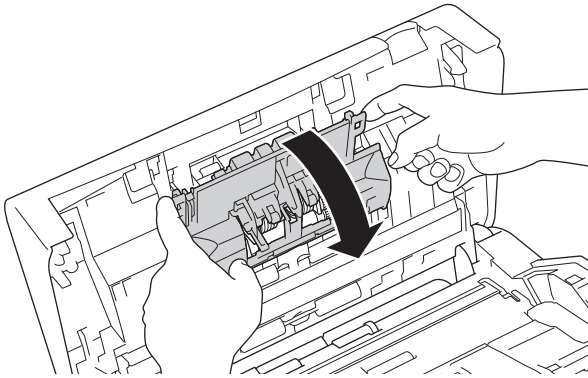
9. Turn the machine around, as shown.



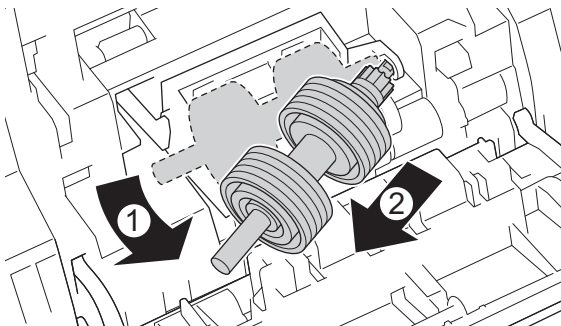
### **⚠ CAUTION**

Some areas of the machine can cause injury if the Front Cover (shaded area shown) is closed with force. Be careful when placing your hand in or near the shaded area.

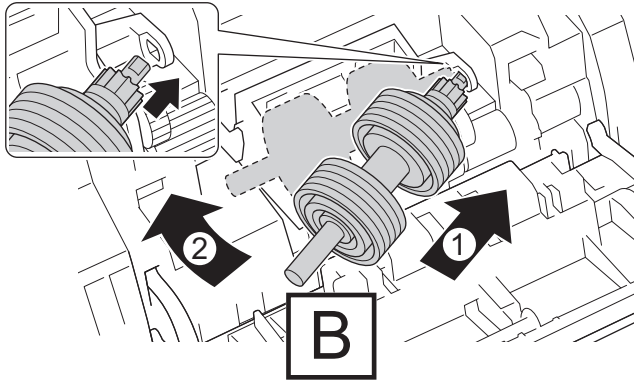
10. Press the both sides of the Brake Roller Cover inwards at the same time and pull the cover down.



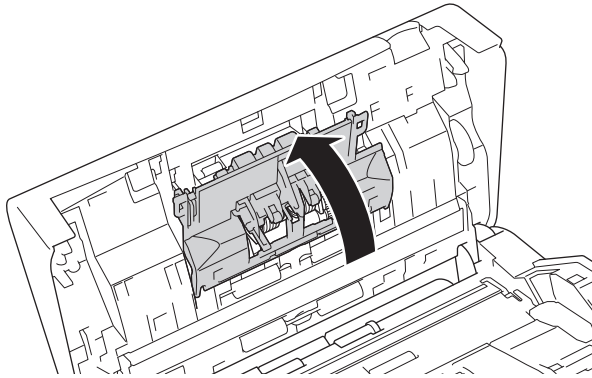
11. Lift the Brake Roller with your finger to remove it.



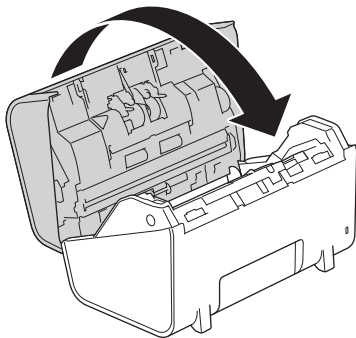
12. Fit the new Brake Roller's shaft into the opening, as shown, and insert the Brake Roller into the machine.



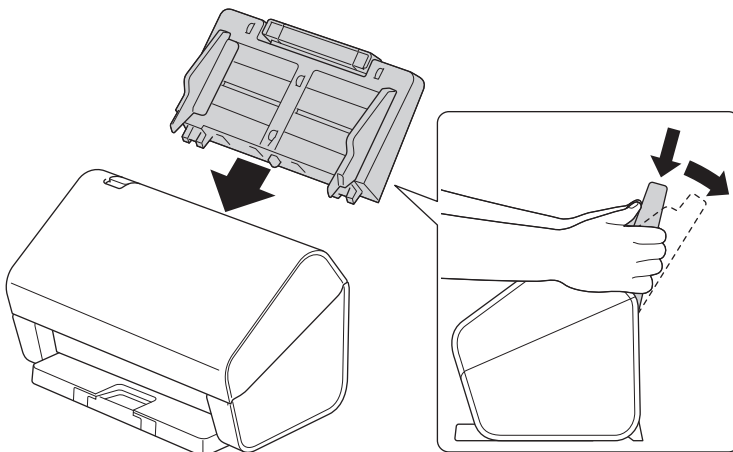
13. Close the Brake Roller Cover.




14. Close the Front Cover and turn the machine to face forwards.




15. Attach the ADF firmly until it locks into place.



16. Press  [Settings] > [Machine Info.] > [Usage Counters].

17. To reset the Roller Counter, press [Roller Count].

18. When the LCD displays a confirmation message, press [Yes].

19. Press .





## Related Information

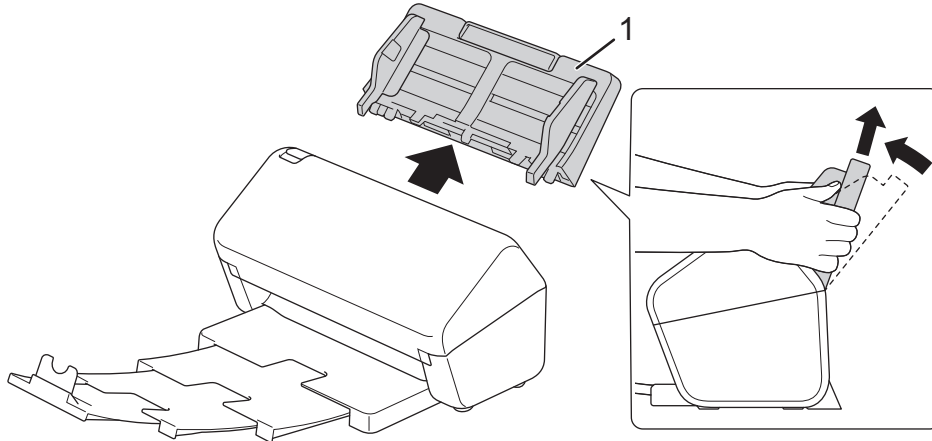
- [Replace Supplies](#)

## Pack and Ship Your Brother Machine

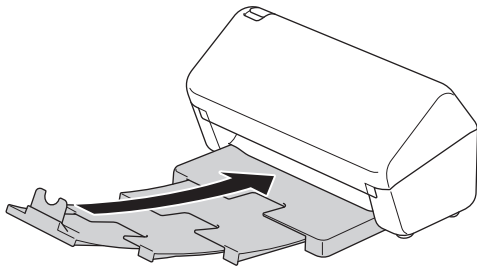
When you transport the machine, use the packing materials that came with your machine. If you do not pack the machine correctly, any damage that may occur in transit may not be covered by your warranty.

The machine should be adequately insured with the carrier.

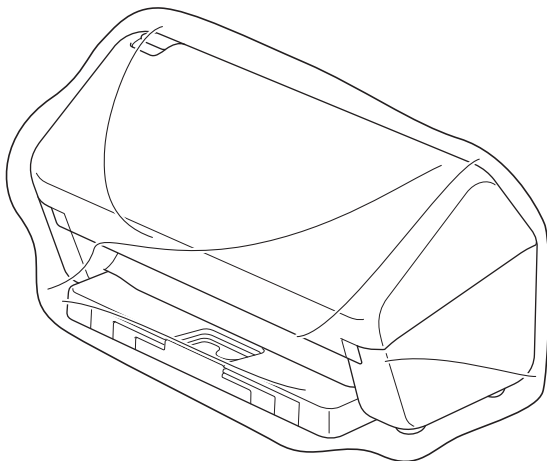
1. Disconnect all the cables, and then unplug the power cord from the electrical socket.
2. Close the expandable ADF.
3. Remove the ADF (1).



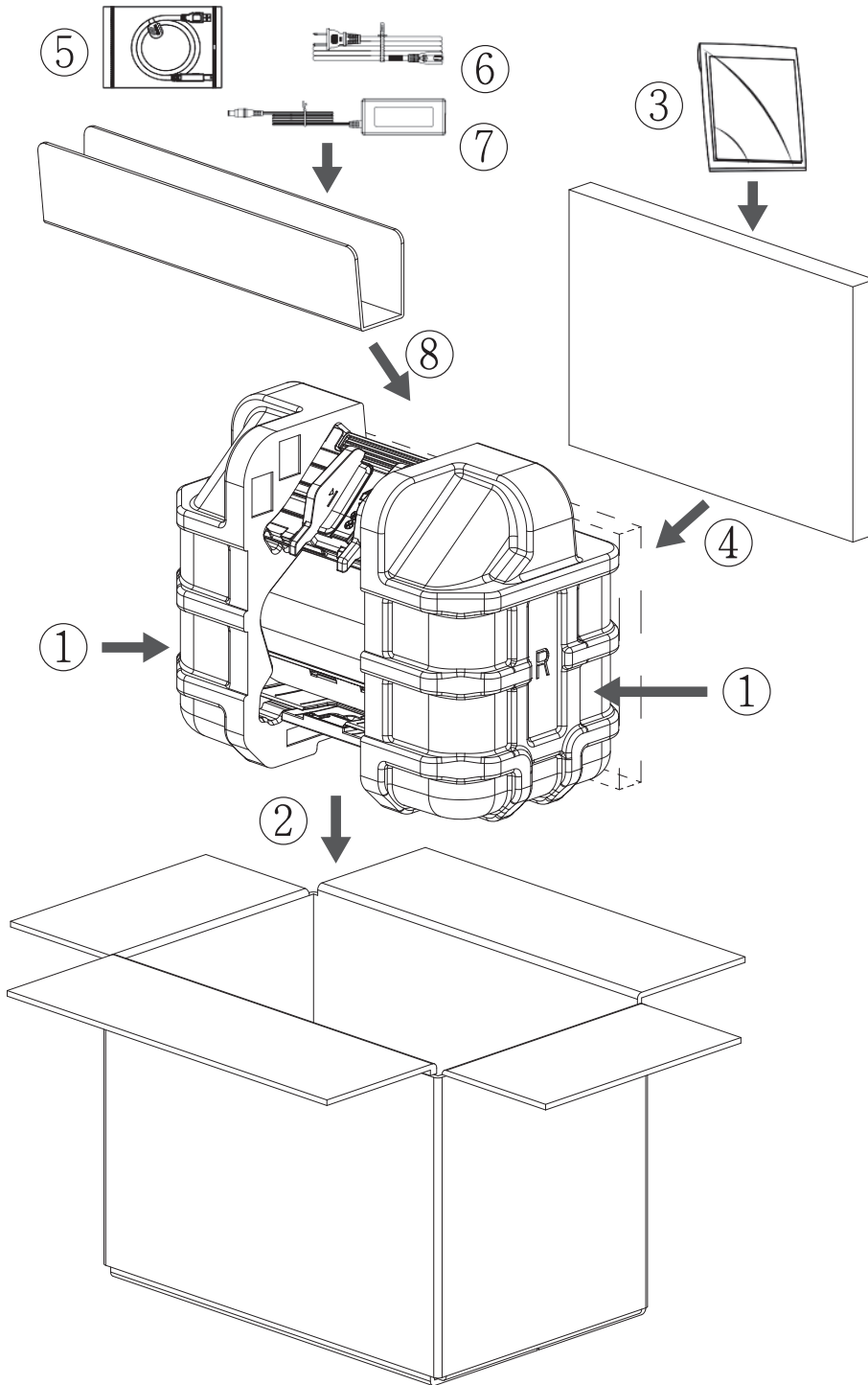
4. Firmly push the Output Tray into the machine.



5. Wrap the machine in the original bag.



6. Pack the machine and the printed materials in the original carton with the original packing material as shown. (The original packing material may differ depending on your country.)



7. Close the carton and tape it shut.

### ✓ Related Information

- [Routine Maintenance](#)

## Machine Settings

- [Change Machine Settings from the Control Panel](#)
- [Change Machine Settings from Your Computer](#)

## Change Machine Settings from the Control Panel

**Related Models:** ADS-4700W/ADS-4900W

- [In the Event of Power Failure \(Memory Storage\)](#)
- [Change the General Settings from the Control Panel](#)
- [Save Your Favourite Settings as a Shortcut](#)

## In the Event of Power Failure (Memory Storage)

**Related Models:** ADS-4700W/ADS-4900W

- Your menu settings are stored permanently and, in the event of a power failure, will not be lost.
- Temporary settings will be lost.
- During a power failure, the machine will keep the date and time for approximately 24 hours.
















### Related Information

- [Change Machine Settings from the Control Panel](#)

## Change the General Settings from the Control Panel

Related Models: ADS-4700W/ADS-4900W

Purpose	Operation	Description
Adjust the LCD Backlight Brightness	 Settings > General Setup > LCD Settings > Backlight	Adjust the brightness of the LCD backlight.
Change How Long the LCD Backlight Stays On	 Settings > General Setup > LCD Settings > Dim Timer	Set how long the LCD backlight stays on.
Display scan results	 Settings > General Setup > Notice Settings > Scan Result (Skip Blank Page)	Set the LCD to display how many pages are scanned and how many are skipped.
Set Sleep Mode Countdown	 Settings > General Setup > Ecology > Sleep Time	<p>Set how long the machine must be idle before it goes into Sleep Mode (5-90 minutes). The Sleep Mode setting can reduce power consumption. When the machine is in Sleep Mode, it acts as though it is turned off.</p> <p>The timer will restart if any operation is carried out on the machine.</p> <hr/> <p> The machine will not enter Sleep Mode in the following situations:</p> <ul style="list-style-type: none"> <li>• A USB flash drive is inserted into the machine.</li> <li>• A machine error has occurred.</li> </ul>
Set the Machine to Power Off Automatically	 Settings > General Setup > Ecology > Auto Power Off	<p>Select how long the machine must wait before it automatically turns itself off after entering Sleep Mode. The Auto Power Off feature can save power consumption. When this feature is set to Off, you must power off the machine manually. To turn the machine on after the Auto Power Off feature has turned it Off, press .</p> <p>The timer will restart if you press any buttons or touchscreen.</p> <hr/> <p> Auto Power Off will be activated when all of these conditions are met:</p> <ul style="list-style-type: none"> <li>• Auto Power Off setting is not set to Off.</li> <li>• The machine has been in Sleep Mode for more than the preset period.</li> </ul>
Turn the Auto Start Scan Mode On	 Settings > General Setup > Auto Start Scan Mode > On	Scanning starts automatically using the settings saved as the auto scan shortcut (Shortcut 57) when you place

Purpose	Operation	Description
		a document in the ADF. It is not necessary to press the Scan Button. The auto scan shortcut can be registered from Shortcuts, which is used to register the regular shortcuts.
Turn the wireless network connection On	 Settings > Network > WLAN (Wi-Fi) > WLAN (Wi-Fi) Enable	Turn the wireless network connection On or Off.
Set the Date and Time	 Settings > Initial Setup > Date and Time	Set the date and time. If you set Auto Daylight to On, the time will be adjusted forward one hour in the spring and adjusted backward one hour in the autumn.
Change for Daylight Saving Time Automatically	 Settings > Initial Setup > Date and Time > Auto Daylight	Set the machine to change automatically for Daylight Saving Time. It will reset itself forward one hour in the spring and backward one hour in the autumn. Make sure you have set the correct date and time in the Date and Time setting. This feature is available only in some countries.
Change the Language Displayed on the LCD	 Settings > Initial Setup > Local Language	Change your LCD language.



## Related Information

- [Change Machine Settings from the Control Panel](#)



## Save Your Favourite Settings as a Shortcut

**Related Models:** ADS-4700W/ADS-4900W

- [Add Shortcuts](#)
- [Change or Delete Shortcuts](#)
- [Assign a Shortcut to an IC Card](#)

## Add Shortcuts

**Related Models:** ADS-4700W/ADS-4900W

Use the Shortcuts feature to create shortcuts for frequently used operations, such as Scan to USB, Scan to Email Server, Scan to Network, and Scan to FTP/SFTP.

These instructions describe how to add a Scan to USB Shortcut. The steps for adding other 'Scan to' shortcuts are the same.



Before you add a shortcut for Scan to FTP/SFTP, Scan to Network, or Scan to SharePoint, make sure your network administrator adds your profile name and permissions in Web Based Management.

1. Press the [Basic 2], [Custom 1], [Custom 2], [Custom 3], [Custom 4], or [Custom 5] tab in the Home screen, and then press **+**.
2. Press **▲** or **▼** to display [to USB].
3. Press [to USB].
4. Press [Options].
5. Press **▲** or **▼** to display the available options for the setting, and then press the option you want. If necessary, repeat these steps to add additional options.
6. Press [Save as Shortcut].
7. Press [OK].
8. Enter a name for the shortcut. Press [OK].



If you want to make this a One Touch Shortcut, follow the LCD instructions.

9. Press [OK].




### Related Information

- [Save Your Favourite Settings as a Shortcut](#)

## Change or Delete Shortcuts

**Related Models:** ADS-4700W/ADS-4900W

1. Press  [Settings] > [Shortcut Settings], and select the Shortcut you want to change.
2. Press [Edit].



- To delete the Shortcut, press [Delete] and follow the LCD.
- To edit the name of the Shortcut, press [Rename] and follow the LCD.

3. Press [Options].
4. Select the settings you want to change for the Shortcut.
5. Press [Save as Shortcut].
6. Press [OK] to confirm.



You will be asked if you want to make this a One Touch Shortcut. Follow the LCD instructions.

7. Press [OK].



### Related Information

- [Save Your Favourite Settings as a Shortcut](#)

---

[Home](#) > [Machine Settings](#) > [Change Machine Settings from the Control Panel](#) > [Save Your Favourite Settings as a Shortcut](#) > [Assign a Shortcut to an IC Card](#)

## **Assign a Shortcut to an IC Card**

**Related Models:** ADS-4700W/ADS-4900W

- [Assign a Shortcut to an IC Card with IC Card Reader](#)

## Assign a Shortcut to an IC Card with IC Card Reader

**Related Models:** ADS-4700W/ADS-4900W

You can assign one Shortcut to your IC card. When you touch your IC card to the IC card reader connected to your machine, your personal Shortcut automatically appears on the touchscreen.



- You cannot use the same IC card for different Shortcuts.
- To use the IC card for another Shortcut, unregister the card first, and then register it with the new Shortcut.

Before you assign a shortcut to an IC card, register an external IC card reader. Use Web Based Management to register the card reader. Your machine supports external IC card readers supporting HID-class drivers.

1. Start your web browser.
2. Type "https://machine's IP address" in your browser's address bar (where "machine's IP address" is the machine's IP address).

For example:

https://192.168.1.2


3. If required, type the password in the **Login** field, and then click **Login**.



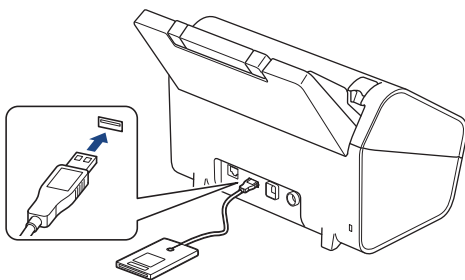
The default password to manage this machine's settings is located on the back of the machine and marked "Pwd".

4. Go to the navigation menu, and then click **Administrator** > **External Card Reader**.



Start from , if the navigation menu is not shown on the left side of the screen.

5. Enter the necessary information, and then click **Submit**.
6. Connect the card reader to your machine.



7. If the Home screen appears, press a tab that contains the Shortcut you want to assign to your IC card.
8. Press and hold the Shortcut until the options appear.
9. Press **▲** or **▼** to display the [Register Card/NFC] option, and then press it.
10. Touch the IC card to the IC card reader connected to your machine.
11. Press [Register].

The Shortcut is assigned to the IC Card.



### Related Information

- [Assign a Shortcut to an IC Card](#)

---

**Related Topics:**

- [Access Web Based Management](#)
-

## Change Machine Settings from Your Computer

- [Change Machine Settings Using Web Based Management](#)
- [Change the Machine Settings Using Remote Setup](#)

## **Change Machine Settings Using Web Based Management**

- [What is Web Based Management?](#)
- [Access Web Based Management](#)
- [Set or Change a Login Password for Web Based Management](#)



## What is Web Based Management?

Web Based Management is a utility that uses a standard web browser to manage your machine using the Hyper Text Transfer Protocol (HTTP) or Hyper Text Transfer Protocol over Secure Socket Layer (HTTPS).



- We recommend Microsoft Internet Explorer 11.0 or later/Microsoft Edge for Windows, Safari 12.0 or later for Mac, Google Chrome™ for Android (4.x or later), and Google Chrome™/Safari for iOS (10.x or later). Make sure that JavaScript and Cookies are always enabled in whichever browser you use.
- Make sure your machine is On and connected to the same network as your computer, and that your network supports the TCP-IP protocol.

XXX-XXXX

brother

Logout

Home

Status

Auto Refresh Interval

General

Address Book

E-mail

Scan

Administrator

Network

### Status

#### Device Status

Ready

Automatic Refresh

Off

On

#### Web Language

Auto

#### Device Location

Contact :

Location :

- The actual screen may differ from the screen shown above.



### Related Information

- [Change Machine Settings Using Web Based Management](#)

## Access Web Based Management


- We recommend Microsoft Internet Explorer 11.0 or later/Microsoft Edge for Windows, Safari 12.0 or later for Mac, Google Chrome™ for Android (4.x or later), and Google Chrome™/Safari for iOS (10.x or later). Make sure that JavaScript and Cookies are always enabled in whichever browser you use.
- The default password to manage this machine's settings is located on the back of the machine and marked "Pwd". We recommend immediately changing the default password to protect your machine from unauthorised access.
- If the password is entered incorrectly several times, you will not be able to log in for a while. The lockout settings can be changed in Web Based Management.
- We recommend using the HTTPS security protocol when configuring settings using Web Based Management. If you use HTTP when configuring settings using Web Based Management, follow the screen prompts to switch to a secure HTTPS connection.
- When you use HTTPS for Web Based Management configuration, your browser will display a warning dialog box. To avoid displaying the warning dialog box, you can install a self-signed certificate to use SSL/TLS communication. For more detailed information, see *Related Information*.

>> [Start from Your Web Browser](#)

>> [Start from Brother iPrint&Scan \(Windows/Mac\)](#)

>> [Start from Brother Utilities \(Windows\)](#)

### Start from Your Web Browser



1. Start your web browser.
2. Type "https://machine's IP address" in your browser's address bar (where "machine's IP address" is the machine's IP address).  
For example:  
https://192.168.1.2
3. If required, type the password in the **Login** field, and then click **Login**.
4. If you want to pin the navigation menu on the left side of the screen, click ☰ and then click .



You can now change the machine settings.

If you change the protocol settings, you must restart the machine after clicking **Submit** to activate the configuration.

After configuring the settings, click **Logout**.

### Start from Brother iPrint&Scan (Windows/Mac)

1. Start Brother iPrint&Scan.
  - Windows  
Launch  (**Brother iPrint&Scan**).
  - Mac  
In the **Finder** menu bar, click **Go > Applications**, and then double-click the iPrint&Scan icon.  
The Brother iPrint&Scan screen appears.
2. If your Brother machine is not selected, click the **Select your Machine** button, and then select your model name from the list. Click **OK**.
3. Click  (**Machine Settings**).  
Web Based Management appears.
4. If required, type the password in the **Login** field, and then click **Login**.




- 
5. If you want to pin the navigation menu on the left side of the screen, click  and then click .

You can now change the machine settings.

If you change the protocol settings, you must restart the machine after clicking **Submit** to activate the configuration.

After configuring the settings, click **Logout**.

## Start from Brother Utilities (Windows)

1. Launch  (**Brother Utilities**), and then click the drop-down list and select your model name (if not already selected).
2. Click **Tools** in the left navigation bar, and then click **Machine Settings**.  
Web Based Management appears.
3. If required, type the password in the **Login** field, and then click **Login**.
4. If you want to pin the navigation menu on the left side of the screen, click  and then click .

You can now change the machine settings.

If you change the protocol settings, you must restart the machine after clicking **Submit** to activate the configuration.

After configuring the settings, click **Logout**.

## Related Information

- [Change Machine Settings Using Web Based Management](#)

### Related Topics:


- [Create a Self-signed Certificate](#)
  - [Install the Self-signed Certificate for Windows users with Administrator Rights](#)
-

## Set or Change a Login Password for Web Based Management

The default password to manage this machine's settings is located on the back of the machine and marked "Pwd". We recommend immediately changing the default password to protect your machine from unauthorised access.

1. Start your web browser.
2. Type "https://machine's IP address" in your browser's address bar (where "machine's IP address" is the machine's IP address).  
For example:  
https://192.168.1.2
3. Do one of the following:
  - If you have previously set your own password, type it, and then click **Login**.
  - If you have not previously set your own password, type the default login password, and then click **Login**.
4. Go to the navigation menu, and then click **Administrator > Login Password**.



Start from , if the navigation menu is not shown on the left side of the screen.

5. Following the on-screen **Login Password** guidelines, type your password in the **Enter New Password** field.
6. Retype the password in the **Confirm New Password** field.
7. Click **Submit**.



You can also change the lockout settings in the **Login Password** menu.



### Related Information

- [Change Machine Settings Using Web Based Management](#)

#### Related Topics:

- [Access Web Based Management](#)

## Change the Machine Settings Using Remote Setup


The Remote Setup program lets you configure many of your Brother machine's settings from your computer. When you start Remote Setup, the settings on your Brother machine will be downloaded to your computer and displayed on your screen. If you change the settings on your computer, you can upload them directly to the machine.

- [Remote Setup \(Windows\)](#)
- [Remote Setup \(Mac\)](#)

## Remote Setup (Windows)

- [Set Up the Brother Machine Using Remote Setup \(Windows\)](#)
- [Change the General Settings Using Remote Setup](#)

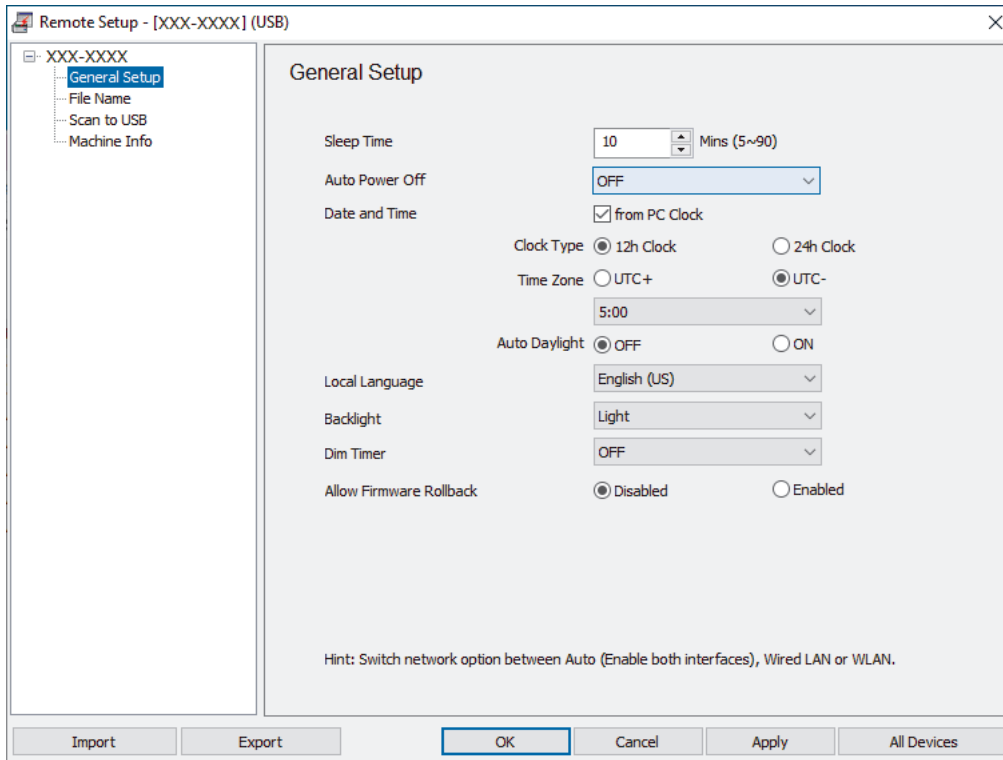
## Set Up the Brother Machine Using Remote Setup (Windows)

1. Launch  (**Brother Utilities**), and then click the drop-down list and select your model name (if not already selected). Click **Tools** in the left navigation bar, and then click **Remote Setup**.



If your machine is connected via a network, we recommend using Web Based Management to configure the machine settings.

2. Configure the settings as needed.



- Your screen may differ from the screen shown.

### Export

Click to save the current configuration settings to a file.

### Import

Click to read the settings from a file.

### OK

Click to start uploading data to the machine, and then exit the Remote Setup Program. If an error message appears, confirm that your data is correct, and then click **OK**.

### Cancel

Click to exit the Remote Setup Program without uploading data to the machine.

### Apply

Click to upload data to the machine without exiting the Remote Setup Program.

### All Devices

Click to return to the device selection screen.

3. Click **OK**.



## Related Information

- [Remote Setup \(Windows\)](#)

### **Related Topics:**

- [Access Web Based Management](#)
-



## Change the General Settings Using Remote Setup

Purpose	Operation (Windows/Mac)	Description
Set the Date and Time	<b>General Setup &gt; Date and Time</b>	Set the date and time. If you set Auto Daylight to On, the time will be adjusted forward one hour in the spring and adjusted backward one hour in the autumn.
Set Sleep Mode Countdown	<b>General Setup &gt; Sleep Time</b>	Set how long the machine must be idle before it goes into Sleep Mode (5-90 minutes). The Sleep Mode setting can reduce power consumption. When the machine is in Sleep Mode, it acts as though it is turned off. <ul style="list-style-type: none"><li>• The timer will restart if any operation is carried out on the machine.</li><li>• The default setting is ten minutes.</li></ul>
Change the Language (ADS-4700W/ADS-4900W)	<b>General Setup &gt; Local Language</b>	Change your language.



### Related Information

- [Remote Setup \(Windows\)](#)
- [Remote Setup \(Mac\)](#)


## Remote Setup (Mac)

- [Set Up the Brother Machine Using Remote Setup \(Mac\)](#)
- [Change the General Settings Using Remote Setup](#)

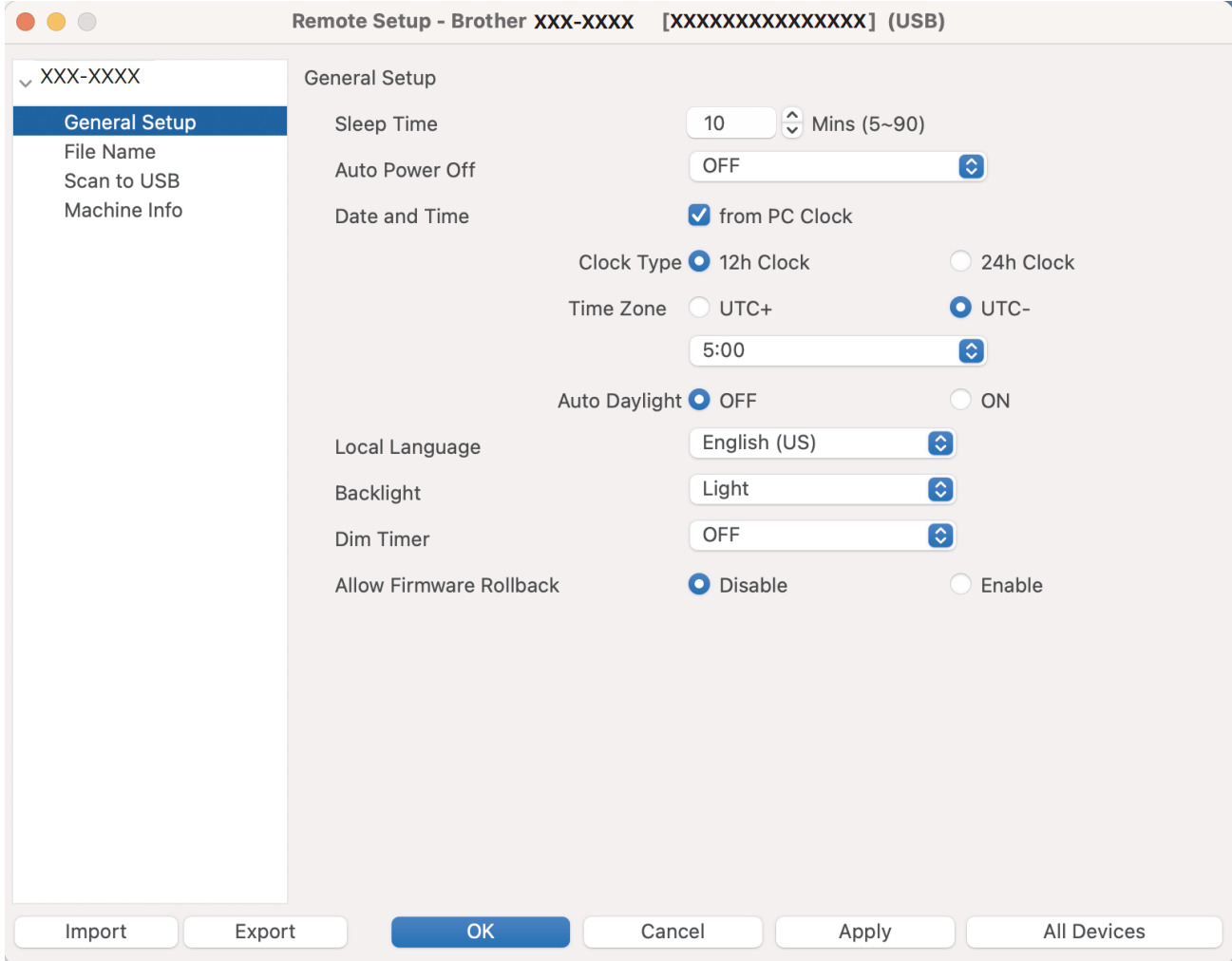
## Set Up the Brother Machine Using Remote Setup (Mac)

Download and install the Remote Setup at [support.brother.com](http://support.brother.com).

1. In the **Finder** menu bar, click **Go > Applications > Brother**, select your model name, and then double-click the **Brother Remote Setup** icon.  
If the Discover Devices dialog box appears, select your model name and then click **Connect**.

 If your machine is connected via a network, we recommend using Web Based Management to configure the machine settings.

2. Configure the settings as needed.



- Your screen may differ from the screen shown.

### Export

Click to save the current configuration settings to a file.

### Import

Click to import a file and read its settings.

### OK

Click to start uploading data to the machine, and then exit the Remote Setup Program. If an error message appears, enter the correct data again, and then click **OK**.

### Cancel

Click to exit the Remote Setup Program without uploading data to the machine.

---

**Apply**

Click to upload data to the machine without exiting the Remote Setup Program.

**All Devices**

Click to return to the device selection screen.

3. When finished, click **OK**.

**Related Information**

- [Remote Setup \(Mac\)](#)

**Related Topics:**

- [Access Web Based Management](#)
-

## Change the General Settings Using Remote Setup

Purpose	Operation (Windows/Mac)	Description
Set the Date and Time	<b>General Setup &gt; Date and Time</b>	Set the date and time. If you set Auto Daylight to On, the time will be adjusted forward one hour in the spring and adjusted backward one hour in the autumn.
Set Sleep Mode Countdown	<b>General Setup &gt; Sleep Time</b>	Set how long the machine must be idle before it goes into Sleep Mode (5-90 minutes). The Sleep Mode setting can reduce power consumption. When the machine is in Sleep Mode, it acts as though it is turned off. <ul style="list-style-type: none"><li>• The timer will restart if any operation is carried out on the machine.</li><li>• The default setting is ten minutes.</li></ul>
Change the Language (ADS-4700W/ADS-4900W)	<b>General Setup &gt; Local Language</b>	Change your language.



### Related Information

- [Remote Setup \(Windows\)](#)
- [Remote Setup \(Mac\)](#)

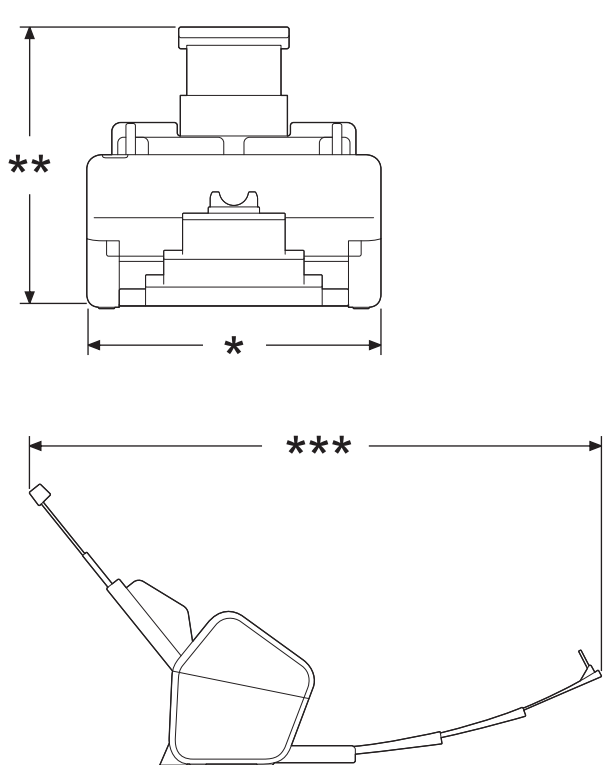
## Appendix

- [Specifications](#)
- [Chemical Substances \(EU REACH\)](#)
- [Brother Help and Customer Support](#)

## Specifications

- >> General Specifications
- >> Document Specifications
- >> Scanner Specifications
- >> Direct Scan Feature (Scan to USB) Specifications
- >> Interface Specifications
- >> Network Specifications (ADS-4300N/ADS-4700W/ADS-4900W)
- >> Supported Protocols and Security Features (ADS-4300N/ADS-4700W/ADS-4900W)
- >> Computer Requirements Specifications

### General Specifications

<b>Memory Capacity</b>	<b>Standard</b>	ADS-4300N/ADS-4700W: 512 MB ADS-4900W: 1024 MB
<b>Power Source</b>		AC: 100 - 240 V, 50/60 Hz
<b>Touchscreen LCD (Liquid Crystal Display) <sup>1</sup></b> (ADS-4700W/ADS-4900W)		Touchscreen 109.2 mm TFT Colour LCD
<b>Power Consumption <sup>2</sup></b>	<b>Scanning <sup>3</sup></b>	ADS-4300N: Approximately 24 W ADS-4700W: Approximately 26 W ADS-4900W: Approximately 34 W
	<b>Ready <sup>4</sup></b>	ADS-4300N: Approximately 6.8 W ADS-4700W: Approximately 8.6 W ADS-4900W: Approximately 7.7 W
	<b>Sleep</b>	Approximately 1.7 W
	<b>Power Down</b>	Approximately 0.1 W
<b>Dimensions</b> (Typical outline view)		Unit: mm
		<ul style="list-style-type: none"> <li>• ADS-4300N/ADS-4700W                             <ul style="list-style-type: none"> <li>* : 299.5 mm</li> <li>** : 290.0 mm</li> <li>*** : 630.4 mm</li> </ul> </li> <li>• ADS-4900W <sup>5</sup> <ul style="list-style-type: none"> <li>* : 300.0 mm</li> <li>** : 336.0 mm</li> <li>*** : 635.0 mm</li> </ul> </li> </ul>
<b>Weights</b>		ADS-4300N: 2.64 kg

		ADS-4700W: 2.75 kg ADS-4900W: 3.37 kg
<b>Temperature</b>	<b>Operating</b>	5°C to 35°C
	<b>Storage</b>	-20°C to 60°C
<b>Humidity</b>	<b>Operating</b>	20% to 80%
	<b>Storage</b>	10% to 90%
<b>ADF (Automatic Document Feeder)</b>		ADS-4300N/ADS-4700W: Up to 80 sheets ADS-4900W: Up to 100 sheets (Paper: 80 g/m <sup>2</sup> A4/Letter size)

- 1 Measured diagonally.
- 2 Measured when the machine is connected to your computer.
- 3 When using 2-sided (duplex) scanning.
- 4 When the USB port is connected.
- 5 Measured when the Output Tray is pulled out for a Legal-size document.

## Document Specifications

<b>Paper Type</b>	Plain Paper, Thin Paper, Thick Paper, Thicker Paper, Recycled Paper, Business Card, Plastic Card	
<b>Document Size</b>	<b>Width</b>	50.8 mm to 215.9 mm
	<b>Length</b>	50.8 mm to 355.6 mm

## Scanner Specifications

<b>Colour/Monochrome</b>	Yes/Yes	
<b>TWAIN Compliant</b>	<b>Windows</b>	Windows 7 (SP1) / Windows 8.1 / Windows 10 Windows Server 2012 / Windows Server 2012 R2 / Windows Server 2016 / Windows Server 2019
	<b>Mac</b>	macOS v10.14.x / 10.15.x / 11.0.x <sup>1</sup>
<b>WIA Compliant</b>	<b>Windows</b>	Windows 7 (SP1) / Windows 8.1 / Windows 10
<b>ISIS Compliant</b>	<b>Windows</b>	Windows 7 (SP1) / Windows 8.1 / Windows 10
<b>Colour Depth</b>	<b>Input</b>	48 bit colour processing
	<b>Output</b>	24 bit colour processing
<b>Resolution</b>	<b>Interpolated</b>	Up to 1200 x 1200 dpi
	<b>Optical</b>	Up to 600 x 600 dpi
<b>Scanning Width</b>	Up to 215.9 mm	
<b>Greyscale</b>	256 levels	
<b>Max. Speed</b>	For detailed specifications, visit <a href="http://www.brother.com">www.brother.com</a> .	

- 1 For the latest driver updates for the version of macOS you are using, visit [support.brother.com](http://support.brother.com).

## Direct Scan Feature (Scan to USB) Specifications

<b>Compatible Media</b>	USB flash drive <sup>1</sup>
<b>Interface</b>	Interface USB 2.0 Hi Speed

- 1 USB Mass Storage standard up to 128 GB  
Supported formats: FAT12/FAT16/FAT32/exFAT



## Interface Specifications

<b>USB</b>	USB 3.0 <sup>1</sup> Use a USB 3.0 cable (Standard A/Standard B) or USB 2.0 interface cable (Standard A/Standard B) that is no more than 2.0 metres long.
<b>LAN</b>	Use an Ethernet UTP cable category 5 or later.
<b>Wireless LAN</b> (ADS-4700W/ ADS-4900W)	<ul style="list-style-type: none"> <li>• ADS-4700W: 2.4 GHz IEEE 802.11b/g/n (Infrastructure Mode) IEEE 802.11g/n (Wi-Fi Direct)</li> <li>• ADS-4900W: 2.4 GHz/5 GHz <sup>2</sup> IEEE 802.11a/b/g/n (Infrastructure Mode) IEEE 802.11a/g/n (Wi-Fi Direct)</li> </ul>

<sup>1</sup> Your machine has a USB 3.0 interface. The machine can also be connected to a computer that has a USB 1.0/1.1/2.0 interface. Third-party USB ports are not supported.

<sup>2</sup> Only 2.4 GHz is available in Mongolia.

## Network Specifications (ADS-4300N/ADS-4700W/ADS-4900W)

<b>LAN</b>	You can connect your machine to a network for Network Scanning. Also included is Brother BRAdmin Light Network Management software.
<b>Wireless Network Security</b> <sup>1</sup> (ADS-4700W/ADS-4900W)	WEP 64/128 bit, WPA-PSK (TKIP/AES), WPA2-PSK (TKIP/AES), WPA3-SAE (AES)
<b>Setup Support Utility</b>	WPS (ADS-4700W/ADS-4900W) WLAN Assistant (ADS-4700W/ADS-4900W)

<sup>1</sup> Wi-Fi Direct supports WPA2-PSK (AES) only.

## Supported Protocols and Security Features (ADS-4300N/ADS-4700W/ADS-4900W)

<b>Ethernet</b>	10BASE-T, 100BASE-TX
<b>Protocol (IPv4)</b>	<ul style="list-style-type: none"> <li>• ADS-4300N DHCP, APIPA (Auto IP), WINS/NetBIOS, DNS Resolver, mDNS, LLNMR responder, SNMPv1/v2c/v3, HTTP/HTTPS server, ICMP, SNMP Client, Web Services (Scan)</li> <li>• ADS-4700W/ADS-4900W DHCP, APIPA (Auto IP), WINS/NetBIOS, DNS Resolver, mDNS, LLNMR responder, SNMPv1/v2c/v3, HTTP/HTTPS server, ICMP, SNMP Client, Web Services (Scan), LDAP</li> </ul>
<b>Protocol (IPv6)</b>	RA, DNS Resolver, mDNS, LLNMR responder, HTTP/HTTPS server, ICMPv6, SNMP Client, Web Services (Scan)
<b>Network Security (Wired)</b>	SMTP-AUTH, SSL/TLS (HTTPS, SMTP), TLS (SMTP), SNMP v3, 802.1x (EAP-FAST, PEAP, EAP-TLS, EAP-TTLS)
<b>Network Security (Wireless)</b> (ADS-4700W/ADS-4900W)	SSL/TLS(HTTPS)
<b>Network Security (Email)</b>	SMTP-AUTH, SSL/TLS (SMTP)
<b>Wireless Certification</b> (ADS-4700W/ADS-4900W)	WPA3™ - Enterprise, WPA3™ - Personal, Wi-Fi Protected Setup™, Wi-Fi Direct®

## Computer Requirements Specifications

Computer Platform & Operating System Version		Supported PC Software Functions	PC Interface	Processor Minimum Speed	Hard Disk Space to Install	
					For Drivers	For Applications
Windows Operating System <sup>1 2</sup>	Windows 7 (SP1)	Scanning	USB Wired LAN <sup>3</sup> WLAN (Wi-Fi) <sup>4</sup>	32bit (x86) or 64bit (x64) processor	70 MB	Drivers, Installer and Software: 1.4 GB
	Windows 8.1					
	Windows 10					
	Windows Server 2012			64bit (x64) processor	70 MB	
	Windows Server 2012 R2					
	Windows Server 2016					
	Windows Server 2019					
Mac Operating System	macOS v10.14.x			Intel® Processor	30 MB	Drivers and Software: 600 MB
	macOS v10.15.x					
	macOS v11.0.x			64bit processor		

<sup>1</sup> Nuance™ PaperPort™ 14SE supports Windows 7 SP1, Windows 8.1 and Windows 10.

<sup>2</sup> Kofax Power PDF™ supports Windows 7 SP1, Windows 8.1 and Windows 10.

For the latest driver updates, visit [support.brother.com](http://support.brother.com). All trademarks, brand and product names are property of their respective companies.

<sup>3</sup> ADS-4300N/ADS-4700W/ADS-4900W only

<sup>4</sup> ADS-4700W/ADS-4900W only

### ✓ Related Information

- [Appendix](#)

## Chemical Substances (EU REACH)

Information concerning chemical substances within our products required for the REACH Regulation can be found at <https://www.brother.eu/reach>.



### Related Information

- [Appendix](#)
-

## Brother Help and Customer Support

If you need help with using your Brother product, visit [support.brother.com](http://support.brother.com) for FAQs and troubleshooting tips. You can also download the latest software, drivers and firmware, to improve the performance of your machine, and user documentation, to learn how to get the most from your Brother product.

Further product and support information is available from your local Brother office website. Visit [www.brother.com](http://www.brother.com) to find the contact details for your local Brother office and to register your new product.



### Related Information

- [Appendix](#)
-

brother



UK  
Version 0