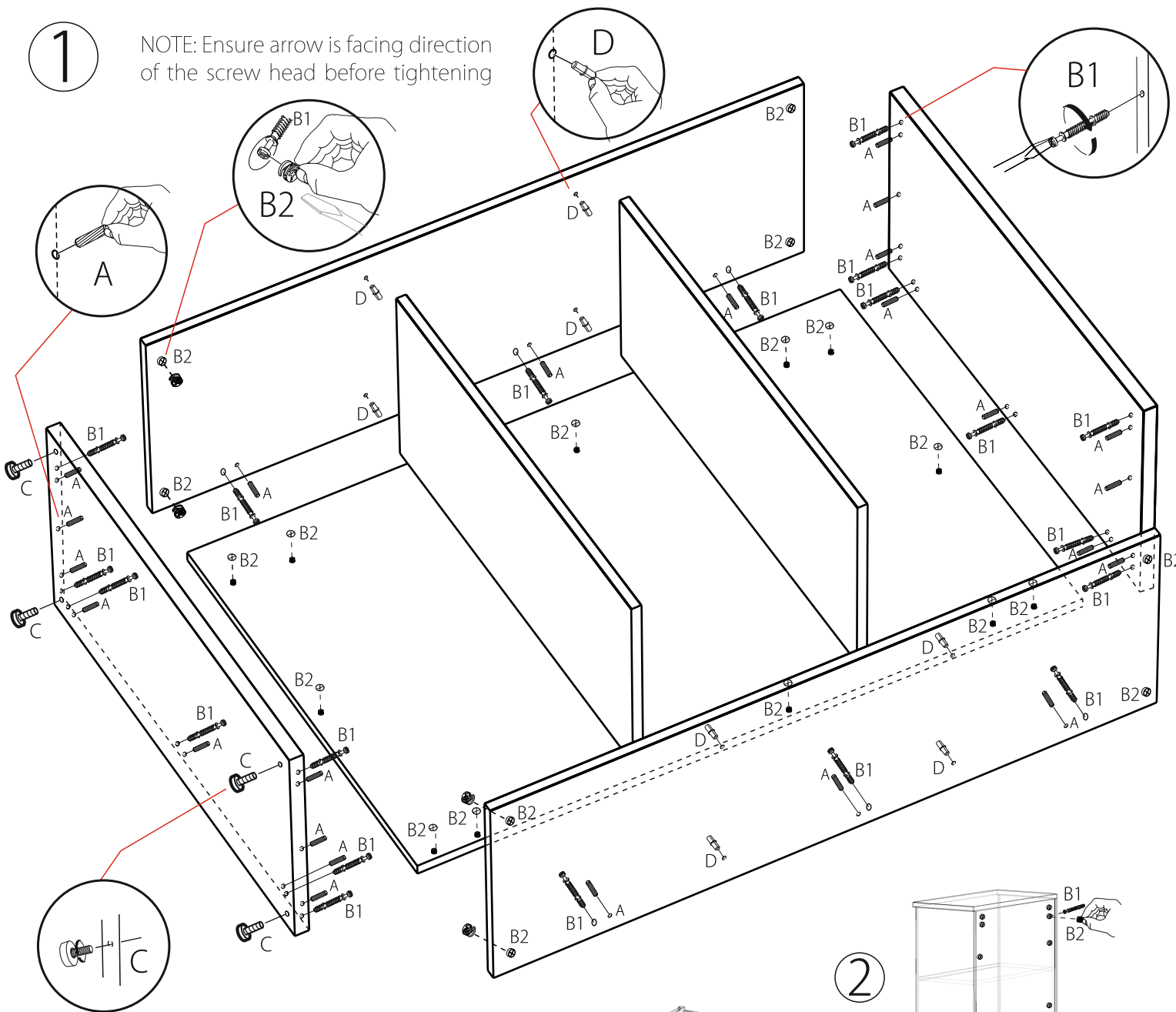


# BOOKCASE -1200

## Assembly instruction



1

NOTE: Ensure arrow is facing direction of the screw head before tightening

- 1) Separate all parts and fittings.
- 2) Check all parts you have received are correct.
- 3) Place the back panel of the cupboard on the floor.
- 4) Insert all wooden dowels (A) into the sides of the cupboard.
- 5) Insert all screws (B1) into the sides of the cupboard.
- 6) Attach one of the sides to the back of the cupboard using the screws (B1) and wooden dowels (A) as a guide.
- 7) Insert the cam locks into the necessary holes in the back of the back panel. Turn the cam locks (B2) to lock the screws (B1) into place.
- 8) Attach the remaining side panel using the screws (B1) and wooden dowels (A) as a guide.
- 9) Insert the cam locks (B2) into the necessary holes in the back of the back panel. Turn the cam locks (B2) to lock the screws (B1) into place.
- 10) Insert all wooden dowels (A) into the bottom panel.
- 11) Insert all screws (B1) into the bottom panel.
- 12) Attach the bottom panel to the cupboard using the screws (B1) and wooden dowels (A) as a guide.
- 13) Insert the cam locks (B2) into the necessary holes in the back of the back panel and side panels. Turn the cam locks (B2) to lock the screws (B1) into place.
- 14) Screw the feet (C) into the bottom panel.
- 15) Insert all wooden dowels (A) into the top panel.
- 16) Insert all screws (B1) into the top panel.
- 17) Attach the top panel to the cupboard using the screws (B1) and wooden dowels (A) as a guide.
- 18) Insert the cam locks (B2) into the necessary holes in the back of the back panel and side panels. Turn the cam locks (B2) to lock the screws (B1) into place.
- 19) Turn the cupboard over and place into an upright position. A two-person lift will be required.
- 20) Insert the shelf pins (D) into the sides of the cupboard.
- 21) Place the shelf on top of the shelf pins (D).

Note – Please ensure there is enough room to turn the cupboard into an upright position. If there is not enough room to turn the cupboard then an upright assembly will be required.