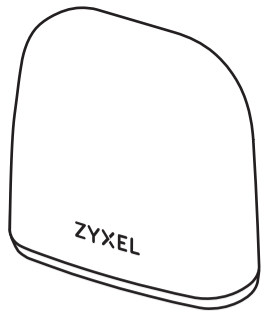


Quick Start Guide

ZYXEL ENGLISH

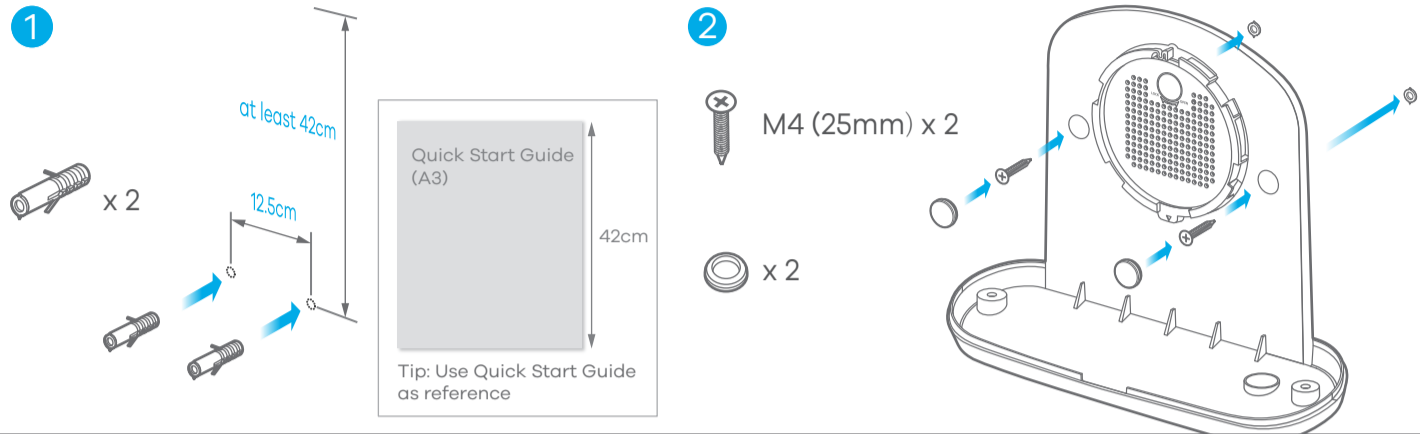
Weatherproof Enclosure Kit Wall Mounting



EN Note: The Weatherproof Enclosure requires at least 42cm of open space above it for proper installation. Install the Weatherproof Enclosure vertically with the connector holes facing down.

- 1 Drill two holes at a distance of 12.5cm from each other and insert the masonry plugs.
- 2 Fasten the M4 drywall screws through the holes on the inner case and into the plugs to secure it to the wall. Seal the screws with rubber plugs.

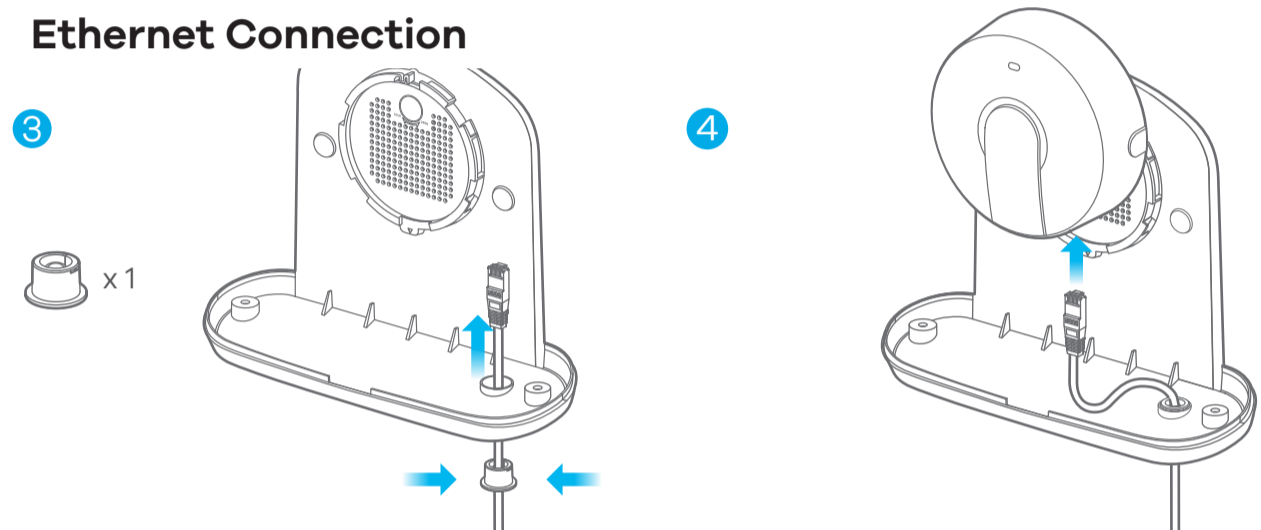
Inner Case Installation



EN 3 Put the Ethernet cable through the inner case hole and seal the hole with a rubber plug.

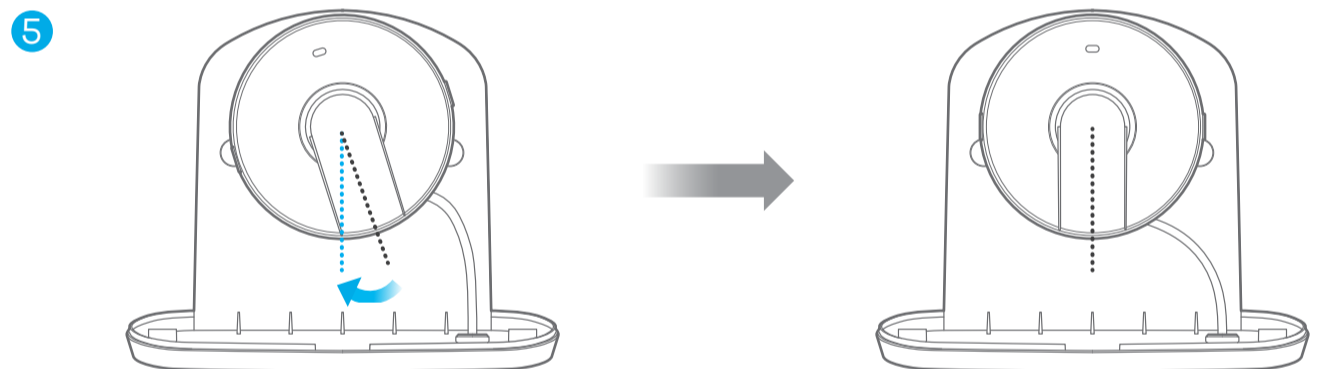
- 4 Connect the Ethernet cable to the AP.

Ethernet Connection



EN 5 Attach the AP to the inner case by rotating it in a clockwise direction until it clicks into place.

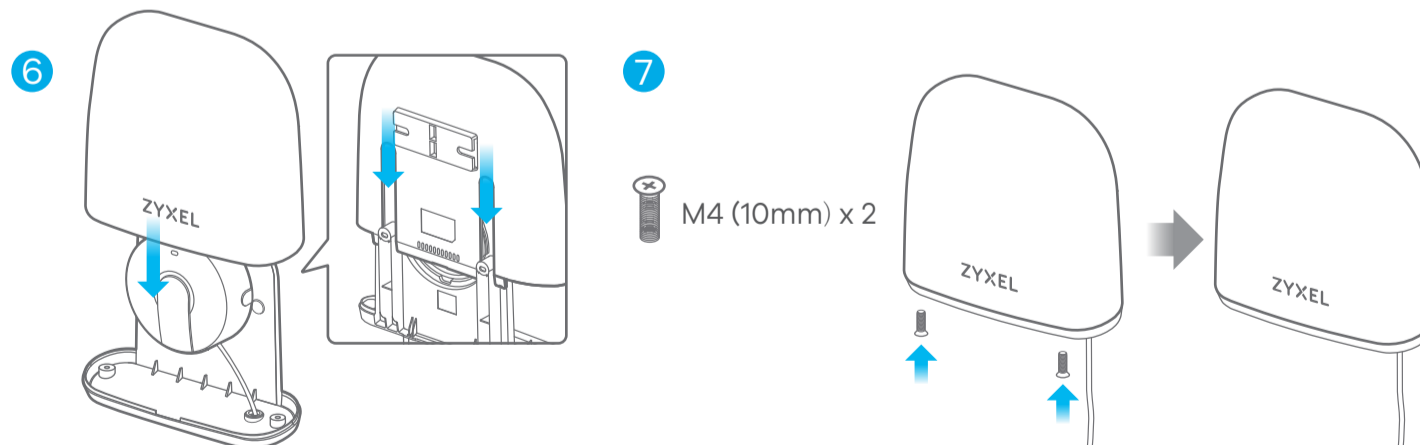
AP Placement on Inner Case



EN 6 Slide the outer case gently over the inner case.

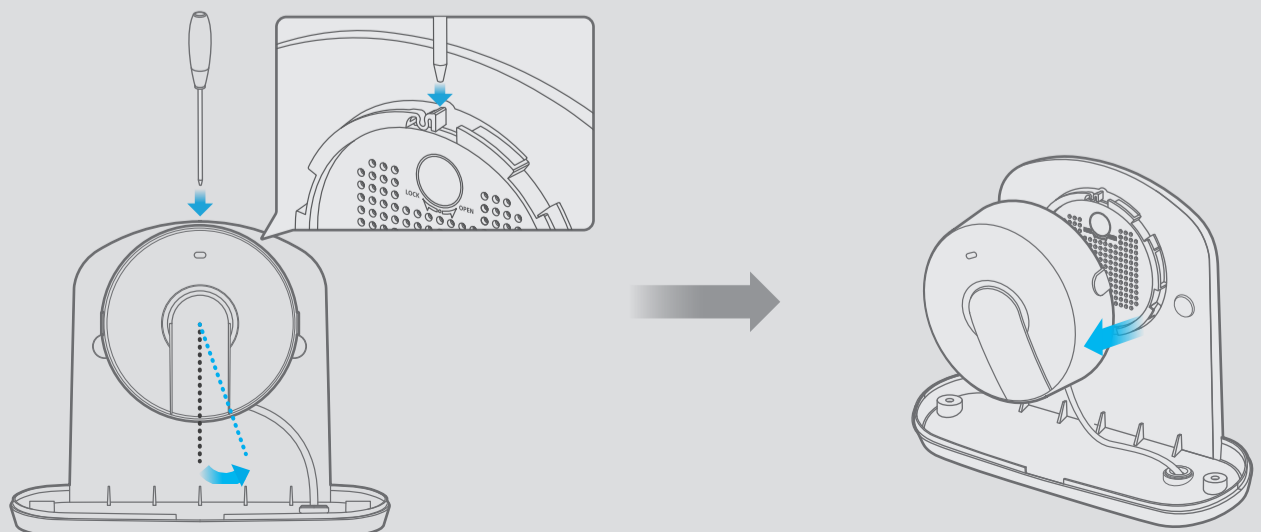
- 7 Screw the outer and the inner case together with the M4 machine screws.

Outer Case Placement



How to release the AP

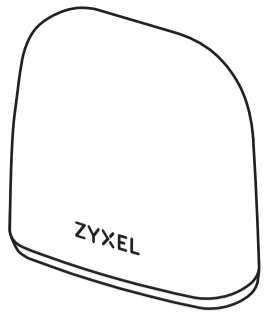
EN 1 Insert a thin flat tool (such as a flat screwdriver) to push down the AP lock. Turn the AP in a counterclockwise direction to release.



Quick Start Guide

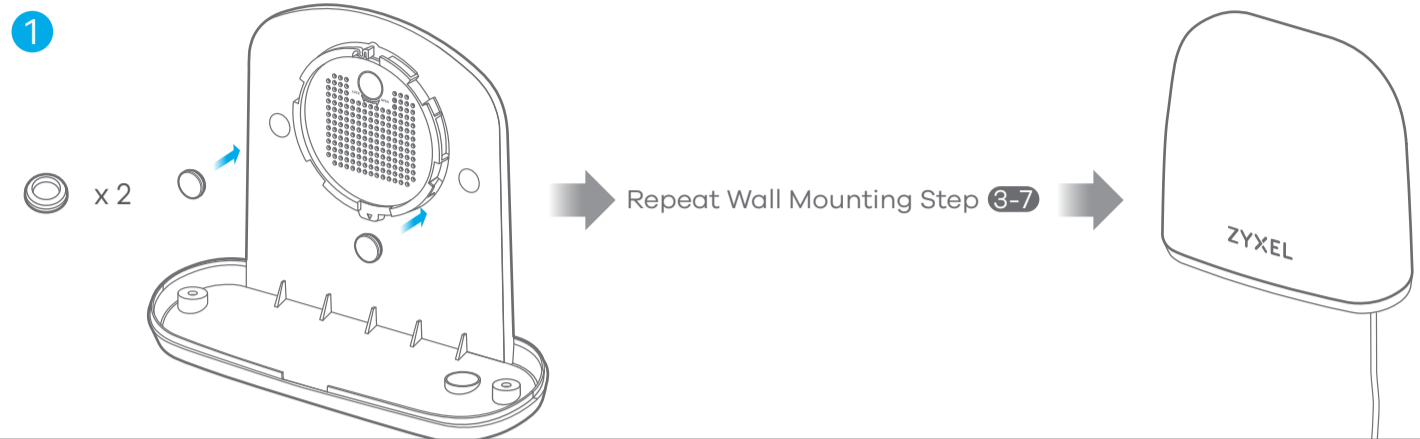
ZYXEL ENGLISH

Weatherproof Enclosure Kit Pole Mounting Kit (Sold Separately)



EN ① Seal the inner case's wall mounting holes with two rubber plugs. Repeat steps 3-7 of the wall mounting guide to prepare the AP for pole mounting.

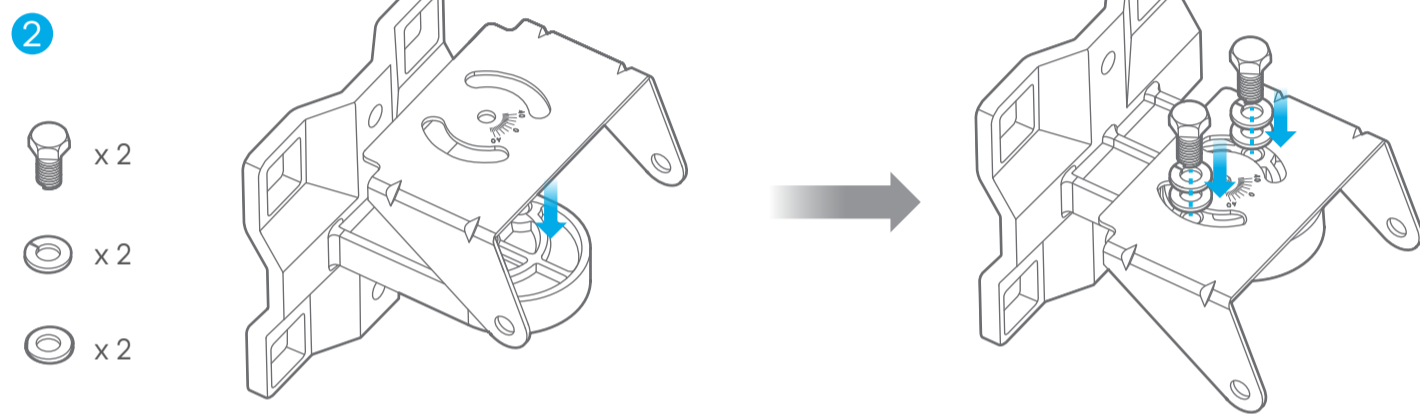
Pole Mounting Preparation



EN ② Attach the rotating bracket to the mounting main frame using spacers, washers and nuts.

Note: Do not tighten the nuts until after you mount the AP to a pole and adjust the mounting angle.

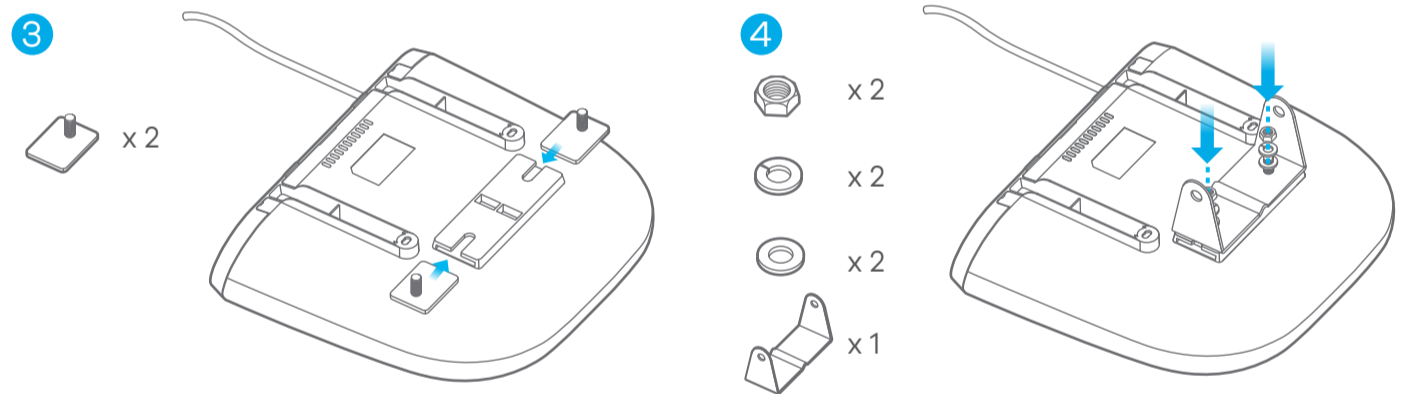
Rotating Bracket Placement



EN ③ Insert two radome brackets into the slots on the inner case's back panel.

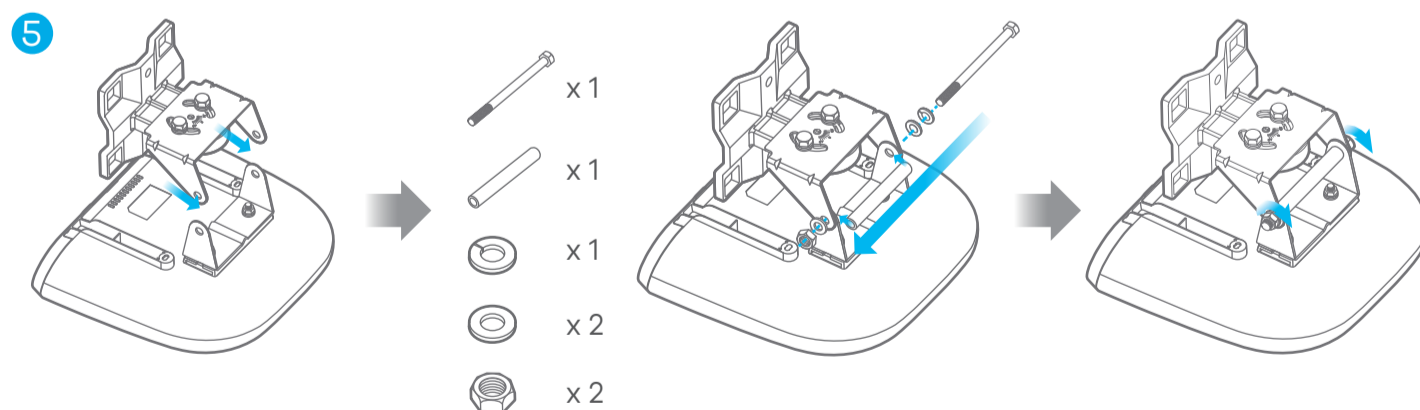
④ Align the holes on the M-type bracket with the screws on the inner case. Attach them using spacers, washers and nuts.

AP and Rotating Bracket Assembly



EN ⑤ Align the rotating bracket's holes with the holes on the M-type bracket. Insert the steel tube through the holes, and use washers and nuts to secure it.

AP and Rotating Bracket Assembly



EN ⑥ Place the metal belts around a pole, and insert them into the holes on the mounting main frame. Use a wrench to tighten the nuts and secure the AP. Adjust the angle so that the AP is encompassing the desired coverage area.

Note: It is recommended the AP should not exceed a +15 or -15 degree angle relative to the pole.

Note: The pole diameter cannot exceed 6.35 cm.

Pole Mounting

