

5 Port Unmanaged Industrial Gigabit Ethernet Switch

IES51000



*actual product may vary from photos

DE: Bedienungsanleitung - de.startech.com

FR: Guide de l'utilisateur - fr.startech.com

ES: Guía del usuario - es.startech.com

IT: Guida per l'uso - it.startech.com

NL: Gebruiksaanwijzing - nl.startech.com

PT: Guia do usuário - pt.startech.com

For the most up-to-date information, please visit: www.startech.com

FCC Compliance Statement

This equipment has been tested and found to comply with the limits for a Class A digital device, pursuant to Part 15 of the FCC rules. These limits are designed to provide reasonable protection against harmful interference when the equipment is operated in a commercial environment. This equipment generates, uses and can radiate radio frequency energy and, if not installed and used in accordance with the instruction manual, may cause harmful interference to radio communications. Operation of this equipment in a residential area is likely to cause harmful interference in which case the user will be required to correct the interference at his own expense.

Industry Canada Statement

This Class A digital apparatus complies with Canadian ICES-003.

Cet appareil numérique de la classe [A] est conforme à la norme NMB-003 du Canada.

Digital apparatus (ICES003)

CAN ICES-3 (A)/NMB-3(A)

Use of Trademarks, Registered Trademarks, and other Protected Names and Symbols

This manual may make reference to trademarks, registered trademarks, and other protected names and/or symbols of third-party companies not related in any way to StarTech.com. Where they occur these references are for illustrative purposes only and do not represent an endorsement of a product or service by StarTech.com, or an endorsement of the product(s) to which this manual applies by the third-party company in question. Regardless of any direct acknowledgement elsewhere in the body of this document, StarTech.com hereby acknowledges that all trademarks, registered trademarks, service marks, and other protected names and/or symbols contained in this manual and related documents are the property of their respective holders.

Table of Contents

Introduction	1
Packaging Contents	1
System Requirements.....	1
Product Diagram	1
Front View	1
Top View	2
LED Indicators.....	2
DIP Switch Settings	3
Installation	3
Wall Mounting.....	3
DIN-Rail Mounting.....	5
Hardware Installation	6
Specifications	7
Technical Support	8
Warranty Information	8

Introduction

Packaging Contents

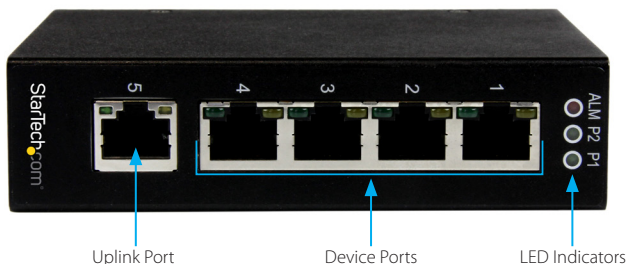
- 1 x Industrial Ethernet Switch
- 2 x Wall-Mount Brackets
- 1 x DIN-Rail Clip
- 4 x Screws
- 1 x Terminal Block
- 1 x Instruction Manual

System Requirements

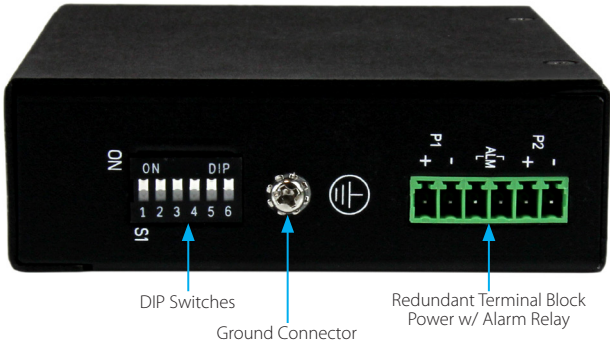
- 12 – 58V DC power source (terminal block)
- 10/100/1000 Mbps compatible network devices
- Cat5 or better UTP Ethernet cabling

Product Diagram

Front View



Top View



LED Indicators

1 x P1 (Power)	Solid (Green): Power is connected and functioning Off: No power input detected
1 x P2 (Power)	Solid (Green): Power is connected and functioning Off: No power input detected
1 x ALM (Alarm)	Solid (Red): Power failure detected Off: No alarm / alarm disabled
5 x Link / Act	Solid (Green): Link detected (no traffic) Flashing: Activity Off: No Link detected
5 x Speed	Solid (Yellow): 1000 Mbps connection detected Off: 10/100 Mbps or no link detected

DIP Switch Settings

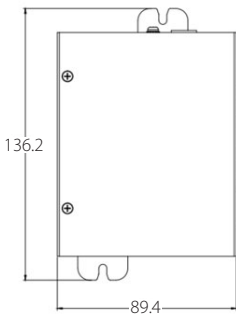
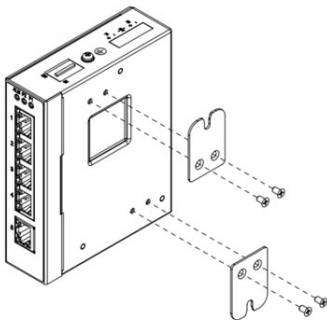
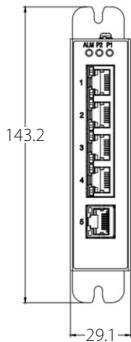
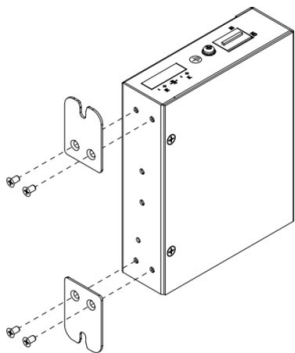
Pin #	Position	Status
Pin 1	ON	Enable power alarm
	OFF	Disable power alarm
Pin 2	ON	Enable broadcast storm rate limit
	OFF	Disable broadcast storm rate limit
Pin 3	ON	NOT USED
	OFF	NOT USED
Pin 4	ON	NOT USED
	OFF	NOT USED
Pin 5	ON	NOT USED
	OFF	NOT USED
Pin 6	ON	NOT USED
	OFF	NOT USED

Installation

The Network Switch is designed to sit on a flat surface, or be securely mounted to either a wall or DIN-Rail using the included brackets. Please follow the instructions below, depending on your preferred installation.

Wall Mounting

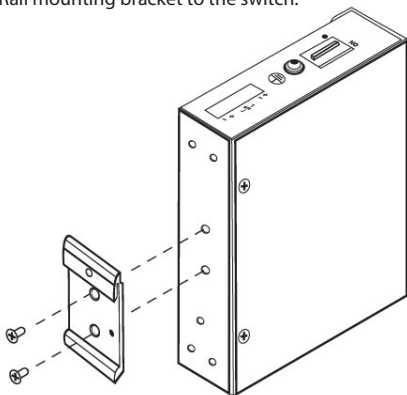
1. Attach the Wall-mount brackets to either the rear, or the side of the switch, depending on your desired orientation.



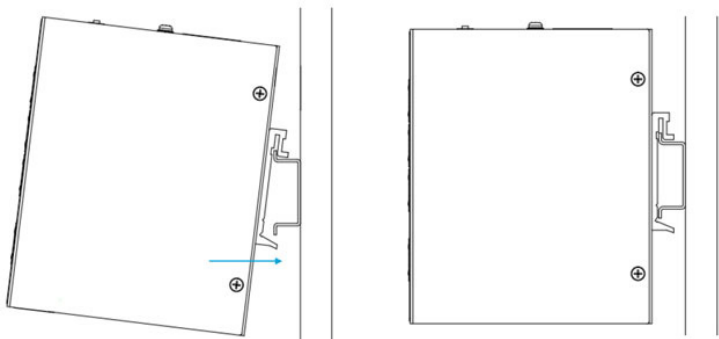
2. Determine the desired location and orientation of the switch on the wall, and mark the bottom mounting notch location.
3. Depending on the mounting surface, use the appropriate tools and hardware to install a mounting screw into the wall. There should be a gap of approximately 2 mm between the head of the screw and the wall surface.
4. Place switch back onto the wall with the mounting notch resting against the previously installed screw, and mark the location for the top mounting notch, ensuring that the switch is sitting level.
5. With the switch in place on the wall, install the second mounting screw and fully tighten both so the device is held in place.

DIN-Rail Mounting

1. Attach the DIN-Rail mounting bracket to the switch.

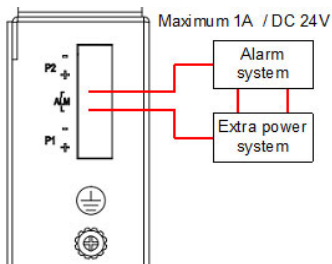


2. Hook the unit over the DIN-Rail and push the bottom of the unit in until it clicks into place.



Hardware Installation

1. Ground the device using the ground screw.
2. Power the switch from a DC power supply (input range 12 – 58V) by connecting the positive and negative wires into the V+ and V- contacts of P1 on the terminal block and tightening the wire clamp screws.
3. (Optional) Connect a redundant power supply connection to the contacts for P2.
4. (Optional) Connect the alarm relay as shown. By inserting the wires and set the DIP switch of the respective Port Alarm to "ON", the relay output alarm will detect any port failures, and form a short circuit. The alarm relay out is "Normally Open".



5. Connect your uplink (connection to an upstream network switch) and network devices using RJ45 terminated Cat 5 or better network cabling.

Specifications

Number of Ports	5
Compatible Networks	10/100/1000 Mbps
Industry Standards	IEEE 802.3 10BASE-T, IEEE 802.3u 100BASE-TX, IEEE 802.3ab 1000BASE-TX, IEEE 802.1p QoS, IEEE 802.3az Energy-Efficient Ethernet, IEEE 802.3ad Link Aggregation IP30 (Enclosure)
Connectors	5 x RJ-45 Female
Maximum Data Transfer Rate	2 Gbps (Full-Duplex)
Switching Architecture	Store-and-Forward
Buffer Size	128 KB
Full Duplex	Yes
Auto MDIX	Yes
Jumbo Frame Support	Up to 9000 bytes
Flow Control	IEEE 802.3x
Power Consumption	3.63W Max
Power	12 – 58V Terminal Block
Enclosure Material	Metal
Operating Temperature	-40°C to 75°C (-40°F to 167°F)
Storage Temperature	-40°C to 85°C (-40°F to 185°F)
Humidity	5~95% RH (Non-Condensing)
Dimensions	112.2 x 89.4 x 29.1 mm

Technical Support

StarTech.com's lifetime technical support is an integral part of our commitment to provide industry-leading solutions. If you ever need help with your product, visit www.startech.com/support and access our comprehensive selection of online tools, documentation, and downloads.

For the latest drivers/software, please visit www.startech.com/downloads

Warranty Information

This product is backed by a two year warranty.

In addition, StarTech.com warrants its products against defects in materials and workmanship for the periods noted, following the initial date of purchase. During this period, the products may be returned for repair, or replacement with equivalent products at our discretion. The warranty covers parts and labor costs only. StarTech.com does not warrant its products from defects or damages arising from misuse, abuse, alteration, or normal wear and tear.

Limitation of Liability

In no event shall the liability of StarTech.com Ltd. and StarTech.com USA LLP (or their officers, directors, employees or agents) for any damages (whether direct or indirect, special, punitive, incidental, consequential, or otherwise), loss of profits, loss of business, or any pecuniary loss, arising out of or related to the use of the product exceed the actual price paid for the product. Some states do not allow the exclusion or limitation of incidental or consequential damages. If such laws apply, the limitations or exclusions contained in this statement may not apply to you.

Hard-to-find made easy. At StarTech.com, that isn't a slogan. It's a promise.

StarTech.com is your one-stop source for every connectivity part you need. From the latest technology to legacy products — and all the parts that bridge the old and new — we can help you find the parts that connect your solutions.

We make it easy to locate the parts, and we quickly deliver them wherever they need to go. Just talk to one of our tech advisors or visit our website. You'll be connected to the products you need in no time.

Visit www.startech.com for complete information on all StarTech.com products and to access exclusive resources and time-saving tools.

StarTech.com is an ISO 9001 Registered manufacturer of connectivity and technology parts. StarTech.com was founded in 1985 and has operations in the United States, Canada, the United Kingdom and Taiwan servicing a worldwide market.