

## MOD-UNM MOD-UNL



Display size

**MOD-UNM - 22" to 50"**  
**MOD-UNL - 32" to 75"**



Max load

**132lb**  
**(60kg)**

# MEDIUM AND LARGE UNIVERSAL ADAPTORS

## FOR MODULAR SERIES MOUNTS

Peerless-AV's Modular Mounts Line features a range of versatile products able to fulfill many requirements with a minimal number of components, in any application. The line, developed with professional AV installers in mind, is ideal for new projects as well as upgrades to existing installations. The MOD-UNM & MOD-UNL are ideal universal adaptors to be used with the Peerless-AV Modular Series Mounts.

*The expandable design provides limitless configurations for display solutions.*

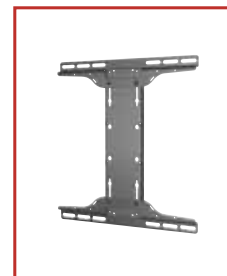


### Additional Features

- ✓ For 22"-75" displays
- ✓ PLP-UNM is compatible with VESA® 200 x 100mm up to 400 x 400mm
- ✓ PLP-UNL is compatible with VESA® 200 x 100mm up to 600 x 400mm
- ✓ 132lb (60kg) max weight capacity



PLP-UNL



PLP-UNM



Shown with Peerless-AV  
Modular Series Ceiling Kit  
MOD-FPSKIT150-B



RoHS

## Model Numbers

**WARRANTY: Limited 5-year**

<b>MOD-UNM</b>	Universal Adaptor for Modular Series 22" to 50" Displays
<b>MOD-UNL</b>	Universal Adaptor for Modular Series 32" to 75" Displays

## Product Specifications

	DIMENSIONS (W X H X D)	PRODUCT WEIGHT	LOAD CAPACITY	FINISH	AVAILABLE COLORS
<b>MOD-UNM</b>	16.50" x 16.78" x 0.71" (419 x 425 x 18mm)	4.5lb (1.95kg)	132lb (60kg)	Power coat	Black
<b>MOD-UNL</b>	24.38" x 16.78" x 0.71" (619 x 425 x 18mm)	5.35lb (2.0kg)			

## Package Specifications

	PACKAGE SIZE (W x H x D)	PACKAGE SHIP WEIGHT	PACKAGE UPC CODE	PACKAGE CONTENTS	UNITS IN PACKAGE
<b>MOD-UNM</b>	21.63" x 5.25" x 2.00" (549 x 133 x 51mm)	5.2lb (2.4kg)	735029270003	Univesal Adaptor, Mounting Hardware	1
<b>MOD-UNL</b>		6.0lb (2.7kg)	735029269991		

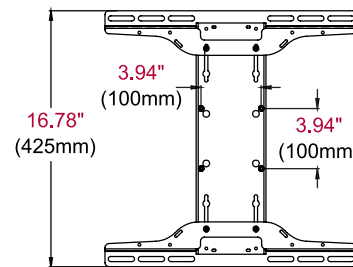
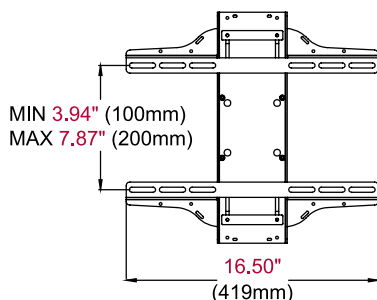
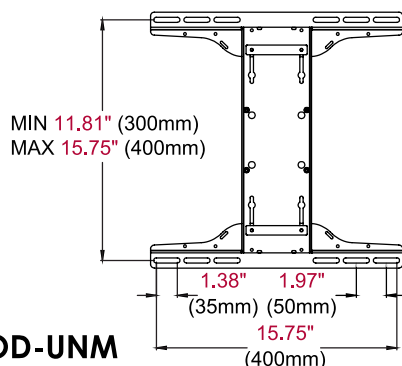
## Accessories

<b>MOD-ACF(-W):</b>	Accessory Cover for MOD-CPF Ceiling Plate
<b>MOD-APC:</b>	Accessory Pole Coupler
<b>MOD-APRG(-W):</b>	Accessory Projector Adaptor, PRG Mount
<b>MOD-APRS(-W):</b>	Accessory Projector Adaptor, PRS Mount
<b>MOD-ADF:</b>	Pole Drill Fixture
<b>MOD-ATD-W:</b>	Accessory Trim Disc

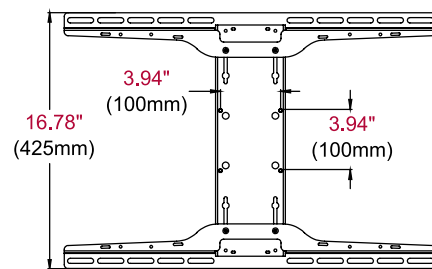
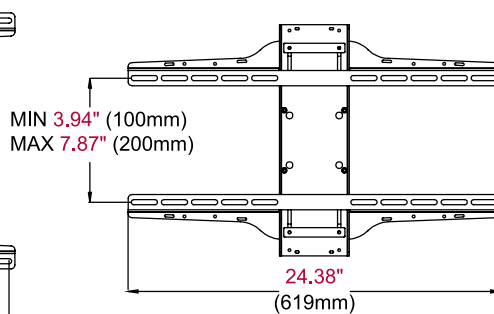
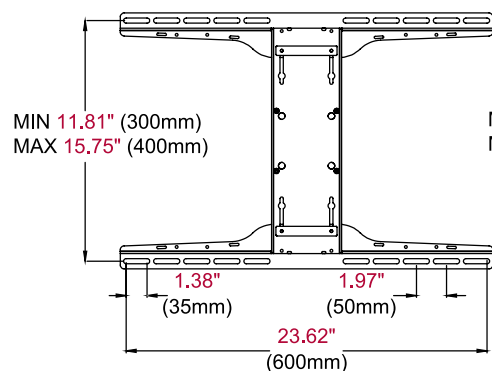
<b>MOD-AUB:</b>	Accessory U-Bolt Adaptor
<b>MOD-CPC(-W):</b>	Ceiling Plate, Cathedral
<b>MOD-CPF:</b>	Square Ceiling Plate, Flat (7.4" x 6.8")
<b>MOD-CPI:</b>	I-Beam Ceiling Plate, Flat
<b>MOD-ASC:</b>	Display-Stacking Clamp
<b>MOD-FPMD:</b>	Flat Panel Mount, Dual Back-To-Back

<b>MOD-P100(-B):</b>	50mm Extension Pole - 39" (1.0m)
<b>MOD-P150(-B):</b>	50mm Extension Pole - 59" (1.5m)
<b>MOD-P200(-B):</b>	50mm Extension Pole - 78" (2.0m)
<b>MOD-P300(-B):</b>	50mm Extension Pole - 118" (3.0m)
<b>MOD-FPMS:</b>	Single Display Mount
<b>MOD-UNM:</b>	Universal Display Adaptor, Medium

All dimensions = inch (mm)



**MOD-UNM**



**MOD-UNL**

**FRONT VIEW**

## Architect Specifications

The Universal Adaptors shall be Peerless-AV models MOD-UNM or MOD-UNL and shall be located where indicated on the plans. It shall be constructed of heavy gauge cold rolled steel and finished with scratch resistant Black Fused Epoxy. Assembly and installation shall be done according to instructions provided by the manufacturer.

Visit [peerless-av.com](http://peerless-av.com) to see the complete line of AV solutions from Peerless-AV, including outdoor displays, wireless, kiosks, digital audio, display mounts, projector mounts, carts/stands, and a full assortment of accessories.

**Peerless-AV**  
2300 White Oak Circle  
Aurora, IL 60502 USA  
**(800) 865-2112**  
**(630) 375-5100**  
**Fax: (800) 359-6500**

**Peerless-AV Europe**  
Unit 3 Watford Interchange  
Colonial Way, Watford  
Herts, WD24 4WP  
United Kingdom  
**+44 (0) 1923 200100**  
**Fax: +44 (0) 1923 200101**

**Peerless-AV de México**  
Ave de las Industrias 413  
Parque Industrial Escobedo  
Escobedo, N.L.,  
Mexico 66050  
**+52 (81) 8384-8300**  
**Fax: +52 (81) 8384-8360**

**peerless-AV®**

LIT-0955 rev.2