

TRA765



Display size
42"-75"



Max load
105lb (48kg)

tru•vue™

Full-Motion Tilting Wall Mount

FOR 42" TO 75" DISPLAYS

The TruVue™ series wall mounts combine ease of installation with viewing flexibility. With TRA765, extend the TV up to 16.07" (408mm) or fully-retract it to just 2.61" (66mm) from the wall for the optimum viewing angle. The Hook-and-Hang™ system offers easy, one-person installation of the TV. A ratcheting handle provides locking tilt capability for quick adjustments to the amount of tilt, reducing glare and optimizing the viewing angle. With the cable management feature, cables can be routed and secured for a clean and clutter-free look.

Full-motion capabilities allow you to swivel, tilt, extend or retract your TV for the perfect viewing angle.



Additional Features

- ✓ Positions TV only 2.61" (66mm) from the wall or extends up to 16.07" (408mm)
- ✓ Includes necessary wall and TV attachment hardware
- ✓ Accommodates VESA® 100 x 100, 200 x 100, 200 x 200, 300 x 200, 300 x 300, 400 x 200, 400 x 300, 400 x 400 and 600 x 400mm mounting hole patterns
- ✓ Design is UL listed and tested to four times the stated load capacity
- ✓ Cable management provides a point to secure and route cables for safety and a clean look
- ✓ TV can be rotated left and right after installation for guaranteed leveling



Comes in color packaging with included level, installation hardware and easy to follow instructions.

TRA765	TruVue™ Full-Motion Tilting Wall Mount for 42" to 75" Displays
---------------	--

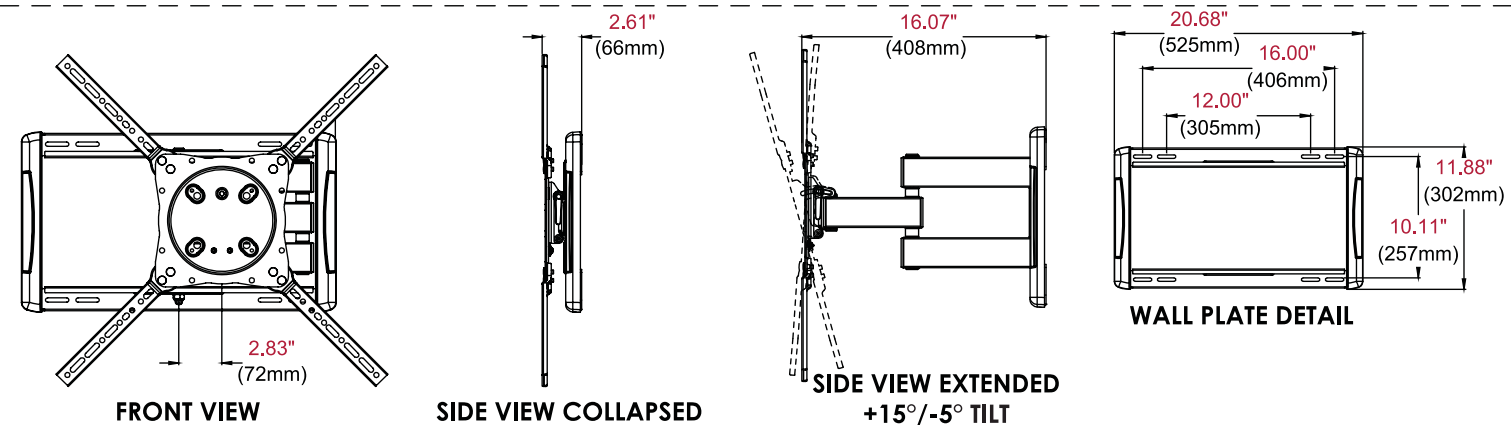
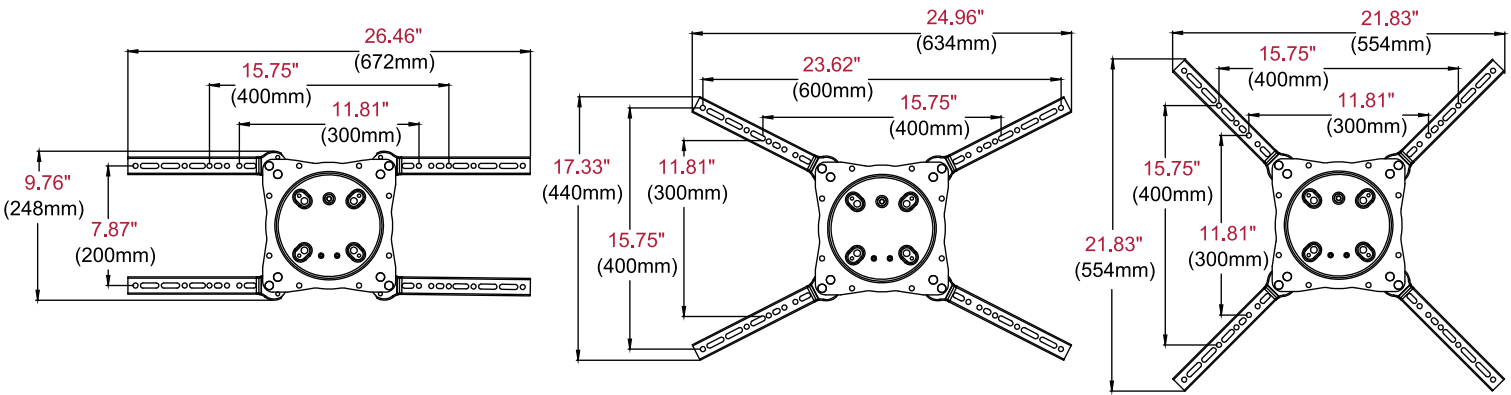
Product Specifications

	DIMENSIONS (W x H x D)	PRODUCT WEIGHT	LOAD CAPACITY	FINISH	AVAILABLE COLORS
TRA765	21.83" x 21.83" x 2.61"-16.07" (554 x 554 x 66-408mm)	11.1lb (5.0kg)	105lb (48kg)	Scratch resistant fused epoxy	Matte black

Package Specifications

	PACKAGE SIZE (W x H x D)	PACKAGE SHIP WEIGHT	PACKAGE UPC CODE	PACKAGE CONTENTS	UNITS IN PACKAGE
TRA765	13.39" x 3.98" x 23.31" (340 x 101 x 591mm)	14lb (6.4kg)	735029300144	Wall mount, wall and TV installation hardware, level	1

All dimensions = inch (mm)



Architect Specifications

The TruVue™ Full-Motion Tilting Wall Mount shall be a Peerless-AV model TRA765 and shall be located where indicated on the plans. Assembly and installation shall be done according to instructions provided by the manufacturer.

Visit peerless-av.com to see the complete line of AV solutions from Peerless-AV, including outdoor displays, wireless, kiosks, digital audio, display mounts, projector mounts, carts/stands, and a full assortment of accessories.

Peerless-AV
2300 White Oak Circle
Aurora, IL 60502 USA
(800) 865-2112
(630) 375-5100
Fax: (800) 359-6500

Peerless-AV Europe
Unit 3 Watford Interchange
Colonial Way, Watford
Herts, WD24 4WP
United Kingdom
+44 (0) 1923 200100
Fax: +44 (0) 1923 200101

Peerless-AV de México
Ave de las Industrias 413
Parque Industrial Escobedo
Escobedo, N.L.,
Mexico 66050
+52 (81) 8384-8300
Fax: +52 (81) 8384-8360

