

## Monitor Wall Mount - Aluminum

ARMWALL



\*actual product may vary from photos

FR: Guide de l'utilisateur - [fr.startech.com](http://fr.startech.com)

DE: Bedienungsanleitung - [de.startech.com](http://de.startech.com)

ES: Guía del usuario - [es.startech.com](http://es.startech.com)

NL: Gebruiksaanwijzing - [nl.startech.com](http://nl.startech.com)

PT: Guia do usuário - [pt.startech.com](http://pt.startech.com)

IT: Guida per l'uso - [it.startech.com](http://it.startech.com)

For the latest information, technical specifications, and support for this product, please visit [www.StarTech.com/ARMWALL](http://www.StarTech.com/ARMWALL).

## **Use of Trademarks, Registered Trademarks, and other Protected Names and Symbols**

PHILLIPS® is a registered trademark of Phillips Screw Company in the United States or other countries.

This manual may make reference to trademarks, registered trademarks, and other protected names and/or symbols of third-party companies not related in any way to StarTech.com. Where they occur these references are for illustrative purposes only and do not represent an endorsement of a product or service by StarTech.com, or an endorsement of the product(s) to which this manual applies by the third-party company in question. Regardless of any direct acknowledgement elsewhere in the body of this document, StarTech.com hereby acknowledges that all trademarks, registered trademarks, service marks, and other protected names and/or symbols contained in this manual and related documents are the property of their respective holders.

## Warning statements

Make sure to assemble this product according to the instructions. Failure to do so might result in personal injury or property damage.

Make sure that the weight of the TV doesn't exceed the weight capacity of this product. If you exceed the weight capacity, you might experience personal injury or damage to the equipment. This product can support the following weight: Up to 15 kg (33 lbs.).

Never operate this product if parts are missing or damaged.

Wall structures vary, and it's important to make sure that the type of wall structure and mounting hardware that you're using will properly support the mounted equipment. Failure to do so may result in personal injury and/or property damage. The wall structure should be capable of supporting at least four times the weight of the mounted equipment.

The mounting hardware included with this product might not be adequate for some wall structures. If you lack the necessary expertise to attach this product to the wall structure that you're using, contact a construction professional to install the wall mount or to provide specific mounting instructions for your wall structure.

## Varningsmeddelanden

Se till att du monterar produkten i enlighet med instruktionerna. Om du inte gör det kan skada på person eller egendom uppstå.

Se till att skärmens vikt inte överstiger produktens viktökämlighet. Om viktökämligheten överstigs kan skada på person eller utrustning uppstå. Denna produkt har stöd för följande vikter: 15 kg.

Använd aldrig produkt om delar saknas eller är skadade.

Eftersom väggestrukturer varierar är det viktigt att kontrollera att väggestrukturen och monteringsutrustningen som du använder är avsedda för monteringsutrustningen. Om du inte gör det kan skada på person och/eller utrustning uppstå. Väggestrukturen ska kunna bära åtminst fyra gånger vikten av den monterade utrustningen.

Monteringsutrustningen som medföljer produkten kanske inte är lämplig för vissa väggestrukturer. Om du saknar nödvändiga kunskaper för att fästa denna produkt på väggestrukturen som du använder, kontakta en professionell konstruktör för att installera väggestrukturer eller för att ge specifika monteringsinstruktioner för din väggestruktur.

## Avvertissements

Assemblez ce produit conformément aux instructions. Si vous ne respectez pas ces instructions, vous risquez de vous blesser ou d'endommager l'équipement.

Vérifiez que le poids du moniteur ne dépasse pas la capacité pondérale du produit. Si vous dépassez la capacité pondérale, vous risquez des blessures corporelles ou des dommages matériels. Ce produit peut supporter de 15 kg.

N'utilisez pas ce produit si des pièces sont endommagées ou manquantes.

Les structures des murs varient. Vous devez impérativement vérifier que le type de mur et le matériel de fixation que vous utilisez permettent de soutenir correctement l'équipement. Dans le cas contraire, vous risquez des blessures corporelles ou des dommages matériels. La structure du mur doit pouvoir supporter au moins quatre fois le poids de l'équipement monté.

Le matériel de fixation inclus avec ce produit n'est pas forcément approprié pour toutes les structures de murs. Si vous manquez des compétences nécessaires pour installer ce produit au mur, contactez un professionnel afin qu'il installe le support mural ou qu'il vous fournisse les instructions de montage spécifiques à votre structure de mur.

## Warnhinweise

Montieren Sie dieses Produkt gemäß den Anweisungen. Andernfalls kann dies zu Verletzungen von Personen oder Schäden an Eigentum führen.

Das Gewicht des TVs darf die zulässige Traglast des Produkts nicht übersteigen. Wenn die Traglast überschritten wird, kann dies zu Verletzungen von Personen oder Schäden an Geräten führen. Dieses Produkt ist für folgendes Gewicht geeignet: 15 kg.

Das Produkt darf nicht bedient werden, wenn Teile fehlen oder beschädigt sind.

Wandstrukturen unterscheiden sich, und es muss sichergestellt werden, dass die Wand und das verwendete Montagematerial das montierte Gerät halten kann. Andernfalls kann dies zu Verletzungen von Personen und/oder Schäden an Geräten führen. Die Wand muss mindestens das Vierfache des Gewichts des montierten Geräts halten können.

Das mitgelieferte Montagematerial ist möglicherweise nicht für jede Wand geeignet. Wenn Sie ihnen die nötigen Fachkenntnisse zum Anbringen dieses Produkts an einer Wand fehlen, lassen Sie einen Fachmann den Wandqualitäts anbringen, oder lassen Sie sich von einem Fachmann Montageanweisungen für Ihre Wand erteilen.

## Dichiarazioni di avvertenza

Assemblare il prodotto rispettando le istruzioni. Il mancato rispetto delle istruzioni potrebbe causare danni a persone o proprietà.

Verificare che il peso del monitor non superi la capacità di supporto del prodotto. In caso di superamento della capacità di supporto potrebbero verificarsi danni a persone o apparecchiature. Il prodotto è in grado di supportare i seguenti pesi: 15 kg.

Non utilizzare il prodotto in presenza di parti mancanti o danneggiate.

Le caratteristiche dei muri sono variabili ed è importante verificare che la struttura muraria e l'hardware di montaggio in uso siano in grado di supportare adeguatamente l'apparecchiatura montata. Il mancato rispetto delle istruzioni potrebbe causare danni a persone o proprietà. La struttura muraria deve essere in grado di supportare un peso almeno quattro volte superiore a quello dell'apparecchiatura montata.

L'hardware di montaggio incluso con il prodotto potrebbe non essere adeguato ad alcune strutture murarie. Se l'utente non dispone delle competenze necessarie per agganciare il prodotto alla struttura muraria in uso, dovrà contattare un professionista edile per installare il supporto a parete o ottenere istruzioni di montaggio per la struttura muraria in uso.

## Mensagens de aviso

Certifique-se de que monta este produto de acordo com as instruções. O incumprimento pode resultar em ferimentos pessoais ou danos de propriedade.

Certifique-se de que o peso do monitor não exceda a capacidade de peso deste produto. Se exceder a capacidade de peso, pode sofrer ferimentos pessoais ou danos no equipamento. Este produto pode suportar o seguinte peso: 15 kg.

Nunca opere este produto se faltarem peças ou estas estiverem danificadas.

As estruturas de parede variam e é importante certificar-se de que o tipo de estrutura de parede e hardware de montagem que está a usar irá suportar devidamente o equipamento montado. O incumprimento pode resultar em ferimentos pessoais e/ou danos no equipamento. A estrutura de parede deve ser capaz de suportar pelo menos quatro vezes o peso do equipamento montado.

O hardware de montagem incluído com este produto pode não ser adequado para algumas estruturas de parede. Se não tiver o conhecimento necessário para fixar este produto à estrutura de parede que está a usar, contacte um profissional de construção para fazer a instalação em parede ou para fornecer instruções de montagem específicas para a sua estrutura de parede.

## Advertencias de uso

Asegúrese de ensamblar este producto según las instrucciones. De lo contrario, pueden producirse lesiones personales o daños en la propiedad.

Asegúrese de que el peso del monitor no exceda la capacidad de carga de este producto. Si se excede dicha capacidad se podrían producir lesiones personales o daños al equipo. Este producto tiene la siguiente capacidad de carga: 15 kilogramos.

Nunca opere o ponga en funcionamiento este producto si faltan piezas o hay daños en las mismas.

Las estructuras de las paredes pueden variar y, por tanto, es importante determinar con certeza que el tipo de estructura de la pared y el hardware de montaje que se va a utilizar puedan soportar debidamente el equipo. De lo contrario, se pueden producir lesiones personales o daños en el mismo. La estructura de la pared debe ser capaz de soportar al menos cuatro veces el peso del componente instalado.

El hardware de montaje incluido con este producto puede no ser adecuado para algunas estructuras de pared. Si no tiene la experiencia suficiente para fijar este producto a la estructura de la pared correspondiente, póngase en contacto con un profesional de la construcción para instalar el soporte de pared o para que le proporcione las instrucciones específicas de montaje para su estructura de pared.

## Waarschuivingen

Zorg dat dit product volgens de instructies in elkaar wordt gezet. Indien dit niet goed gebeurt kan lichamelijk letsel of materiële schade ontstaan.

Zorg dat het gewicht van het scherm de maximale capaciteit van dit product niet overschrijdt. Als u de gewichtscapaciteit overschrijdt, kan persoonlijk letsel of schade aan de apparatuur ontstaan. Dit product ondersteunt het volgende gewicht: 15 kg.

Gebruik dit product nooit als er onderdelen ontbreken of beschadigd zijn.

Omdat wanden verschillen, is het belangrijk dat u ervoor zorgt dat het type wandstructuur en de montagemiddelen die u gebruikt of gemonoteerde apparatuur goed ondersteunen. Indien u dit niet doet kan lichamelijk letsel of/of schade aan de apparatuur ontstaan. De wandstructuur moet voldoende zijn om ten minste vier keer het gewicht van de gemonoteerde apparatuur te ondersteunen.

De bij dit product geleverde montagemiddelen kunnen niet geschikt zijn voor sommige wandstructuren. Als u onvoldoende kennis hebt om dit product aan de door u gebruikte wandstructuur te bevestigen, neem dan contact op met een bouwkundige om de steun aan de muur te installeren of specifieke montage-instructies voor uw wandstructuur te geven.

## 注意

必ず取扱説明書に従って本製品の組み立てを行ってください。取り扱いを誤った場合に、傷害を負う恐れや物的損害が発生する恐れがあります。

取り付けるモニターの重量が、本製品で定められた最大積載重量を超えないようにして下さい。最大積載重量をオーバーした場合、傷害を負う恐れやモニターや本製品に損害が発生する恐れがあります。本製品は、最大15kgまでのモニター重量に対応しています。

本製品で使用している部品の一部が脱落していたり損傷している状態で使用するものは絶対に止めて下さい。

壁の構造はお客様の壁の構造と異なり、ご使用になる壁の構造タイプと取り付け金具が、取り付けモニターを確実に支持することを確認して下さい。確認を怠った場合、傷害を負う恐れや物的損害が発生する恐れがあります。壁の構造が、取り付けモニター重量の最低4倍まで支持できるだけの強度を持っていない限りはなりません。

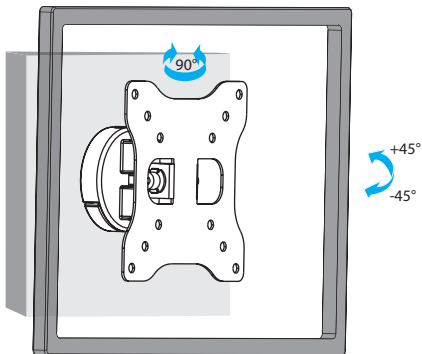
本製品は付属されている取り付け金具は、ご使用になる壁の構造に対して十分でない場合があります。本製品を壁面に取り付けるとき、十分な専門知識が不足していると判断された場合、専門業者に連絡を。本製品の取り付けを行ってもらうか、お客様の壁の構造に適した取り付け方法を教えてもらうか、取り付けを行ってください。

# Table of Contents




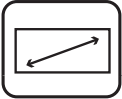

Warnings .....	i
<b>Introduction .....</b>	<b>1</b>
Product diagram.....	1
Technical specifications .....	2
Package contents.....	3
Requirements.....	4
<b>Installation .....</b>	<b>5</b>
Attach the display mount to a wall.....	5
Attach a monitor to the display mount.....	6
Adjust the tilt tension .....	8
Attach the display mount to the mounting plate .....	9
<b>Technical support.....</b>	<b>10</b>
<b>Warranty information .....</b>	<b>10</b>

# Introduction

## Product diagram

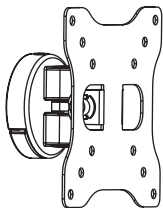


# Technical specifications

Type of measurement	Measurement
VESA mounting hole pattern 	50x50 75x75 100x100
Rated load 	Up to 15 kg (33 lb.)
Tilt 	+45° to -45°
Screen size 	Between 330 mm and 863.6 mm (13 in. and 34 in.)
Swivel 	+45° to -45°

# Package contents

1



Display mount

Qty: One

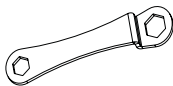
2



Hex key

Qty: One

3



Wrench

Qty: One

4



M4x14 mm screws

Qty: Four

5



M5x14 mm screws

Qty: Four

6



Washers

Qty: Four

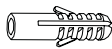
7



Mounting screws

Qty: Two

8



Screw anchors

Qty: Two

9



Instruction manual

Qty: One

## Requirements

- A monitor or display that is compatible with one of the VESA mounting hole patterns that ARMWALL supports
- A Phillips screwdriver

Requirements are subject to change. For the latest requirements, please visit [www.StarTech.com/ARMWALL](http://www.StarTech.com/ARMWALL).



# Installation

## Attach the display mount to a wall

**Warning!** Wall structures vary, and it is important that you make sure that the type of structure and mounting hardware that you are using will properly support the mounted equipment. Failure to do so may result in personal injury and/or equipment damage. The wall structure should be capable of supporting at least four times the weight of the mounted equipment.

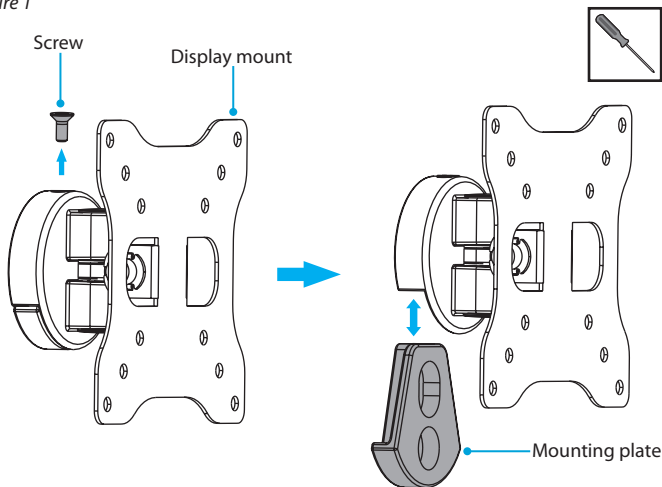
**Warning!** The mounting hardware included with this product might not be adequate for some wall structures. If you lack the necessary expertise to attach this product to the wall that you are using, contact a construction professional to install the ARMWALL or to provide specific mounting instructions for your wall structure.

1. Use a Phillips screwdriver to remove the **screw** from the top of the **display mount**.

**Tip!** Make sure you put the screw in a safe place because you will need it when you reassemble the **mounting plate** and the **display mount**.

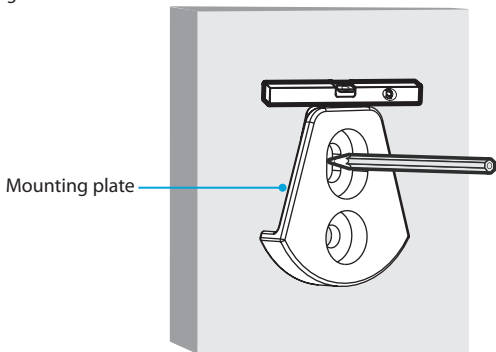
2. Remove the **mounting plate** from the bottom of the **display mount**. (figure 1)

figure 1



3. Use the holes in the **mounting plate** as a template and use a pencil to mark the location on the wall where you want to attach the **display mount**. (*figure 2*)
4. Follow the appropriate steps for the type of wall that you're using and attach the **mounting plate** to the wall.

*figure 2*



## Attach a monitor to the display mount

To accommodate different monitor sizes, the ARMWALL comes with two sets of screws that are different lengths and diameters.

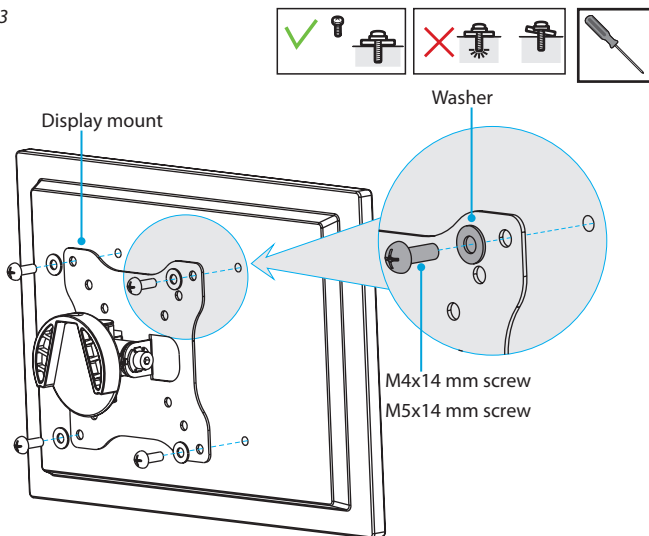
To select the appropriate screws for the type of monitor that you're using, complete the following:

- Determine the depth of the mounting holes on the monitor.
  - Determine the diameter of the mounting holes on the monitor.
1. Line up the mounting holes on the **display mount** with the mounting holes on the back of the monitor.
  2. Place the **washers** over the mounting holes on the **display mount**.
  3. Insert the **M4x14 mm screws** or the **M5x14 mm screws** through the washers, the **display mount**, and into the back of the monitor.

4. Use a Phillips screwdriver to tighten the screws.(figure 3)

**Warning!** Do not over-tighten the screws. If you encounter resistance while you're tightening the screws, stop tightening. Failure to do so could result in damage to the monitor.

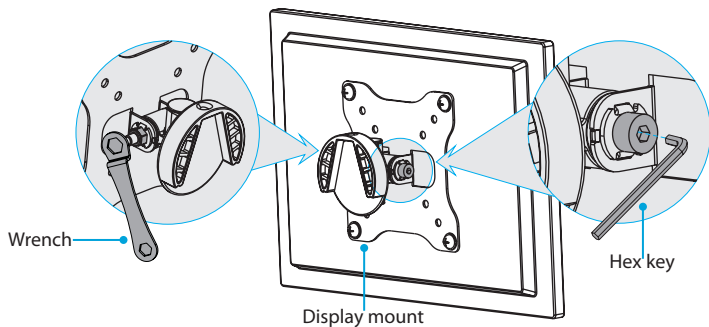
figure 3



## Adjust the tilt tension

1. Use the **hex key** to prevent the screw on the **display mount** from moving as you tighten the **nut**.
2. Use the **wrench** to tighten the nut on the side of the **display mount**.  
(figure 4)

figure 4

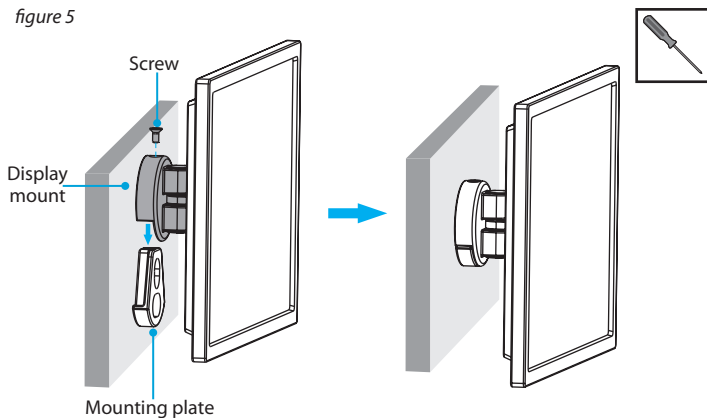


## Attach the display mount to the mounting plate

**Warning!** Attaching the monitor is a two-person job. Do not attempt to complete this task by yourself.

1. Carefully pick up the **display mount** with the monitor attached and slide it onto the **mounting plate**.
2. Insert the **screw** into the **display mount** and **mounting plate**.
3. Use a Phillips screwdriver to tighten the **screw**. (figure 5)

figure 5



# Technical support

StarTech.com's lifetime technical support is an integral part of our commitment to provide industry-leading solutions. If you ever need help with your product, visit [www.startech.com/support](http://www.startech.com/support) and access our comprehensive selection of online tools, documentation, and downloads.

For the latest drivers/software, please visit [www.startech.com/downloads](http://www.startech.com/downloads)

## Warranty information

This product is backed by a five-year warranty.

StarTech.com warrants its products against defects in materials and workmanship for the periods noted, following the initial date of purchase. During this period, the products may be returned for repair, or replacement with equivalent products at our discretion. The warranty covers parts and labor costs only. StarTech.com does not warrant its products from defects or damages arising from misuse, abuse, alteration, or normal wear and tear.

### Limitation of liability

In no event shall the liability of StarTech.com Ltd. and StarTech.com USA LLP (or their officers, directors, employees or agents) for any damages (whether direct or indirect, special, punitive, incidental, consequential, or otherwise), loss of profits, loss of business, or any pecuniary loss, arising out of or related to the use of the product exceed the actual price paid for the product. Some states do not allow the exclusion or limitation of incidental or consequential damages. If such laws apply, the limitations or exclusions contained in this statement may not apply to you.

Hard-to-find made easy. At StarTech.com, that isn't a slogan. It's a promise.

StarTech.com is your one-stop source for every connectivity part you need. From the latest technology to legacy products — and all the parts that bridge the old and new — we can help you find the parts that connect your solutions.

We make it easy to locate the parts, and we quickly deliver them wherever they need to go. Just talk to one of our tech advisors or visit our website. You'll be connected to the products you need in no time.

Visit [www.startech.com](http://www.startech.com) for complete information on all StarTech.com products and to access exclusive resources and time-saving tools.

*StarTech.com is an ISO 9001 Registered manufacturer of connectivity and technology parts. StarTech.com was founded in 1985 and has operations in the United States, Canada, the United Kingdom and Taiwan servicing a worldwide market.*