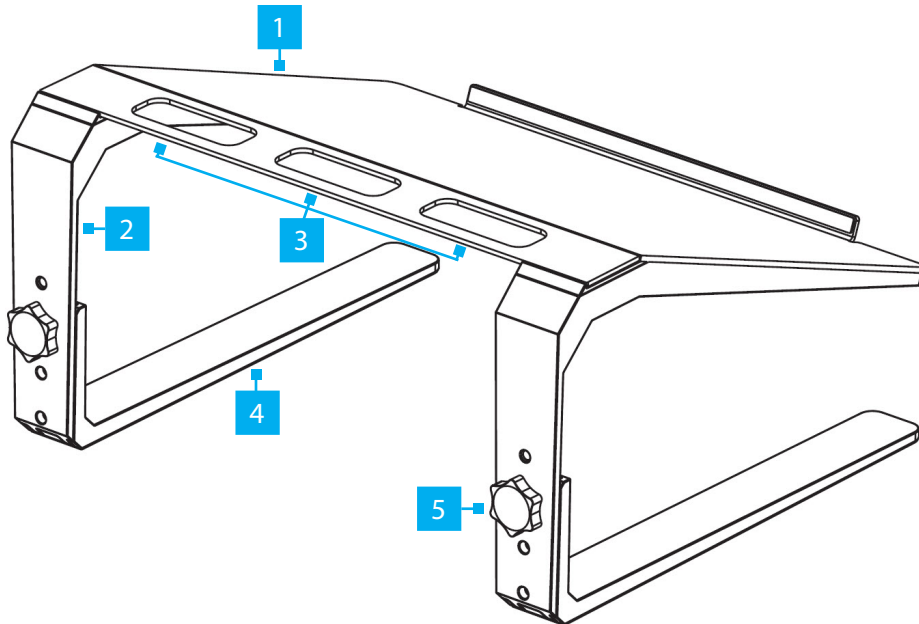


## Laptop Stand - Height Adjustable

### Product Diagram (LTSTND)

Angled View



Part	Function
1 Top Plate	• A platform for a <b>Laptop</b>
2 Upper Leg	• Attaches to the <b>Top Plate</b> • Configurable with three height-adjustment settings
3 Cable-Management Slots	• Organize and route <b>Cables</b>
4 Lower Leg	• Attaches to the <b>Upper Leg</b>
5 Height-Adjustment Knob	• Secure the <b>Upper Legs</b> and <b>Lower Legs</b> together • Can be removed to adjust height settings

### Requirements

- Clean, Flat, and Stable Surface x 1

For the latest requirements please visit: [www.startech.com/LTSTND](http://www.startech.com/LTSTND).

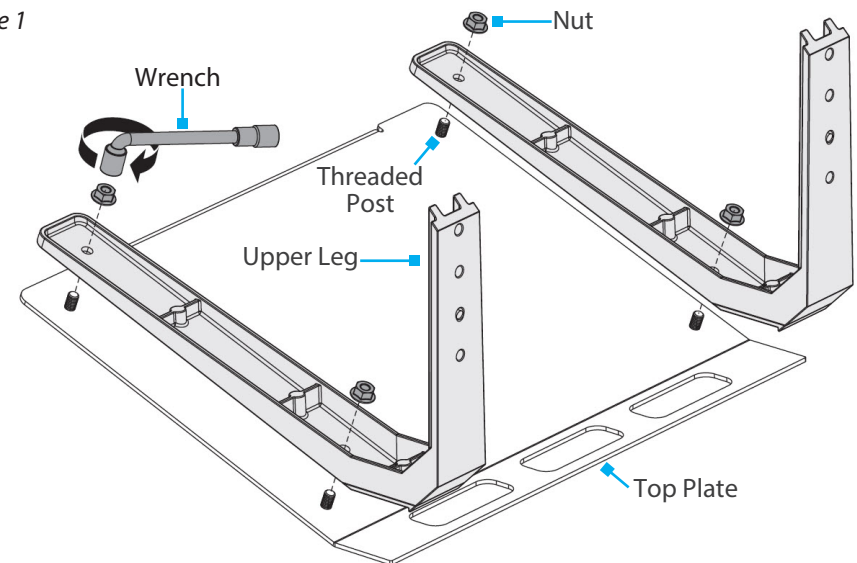
### Installation

#### Assembly

1. Place the **Top Plate**, top side down, onto a **Clean, Flat, and Stable Surface**.  
*Note: The lip on the **Top Plate** can overhang off the edge of the **Surface** for a level installation.*
2. Place the **Upper Legs** onto the **Top Plate**. Ensure the **Holes** in the **Upper Legs** are aligned with the **Threaded Posts** on the **Top Plate**. The slanted portion of the **Upper Legs** should be aligned with the slanted portion of the **Top Plate**.
3. Secure the **Upper Legs** to the **Top Plate**, using two **Nuts** for each side. Fasten the **Nuts** using the **Wrench**. (Figure 1)

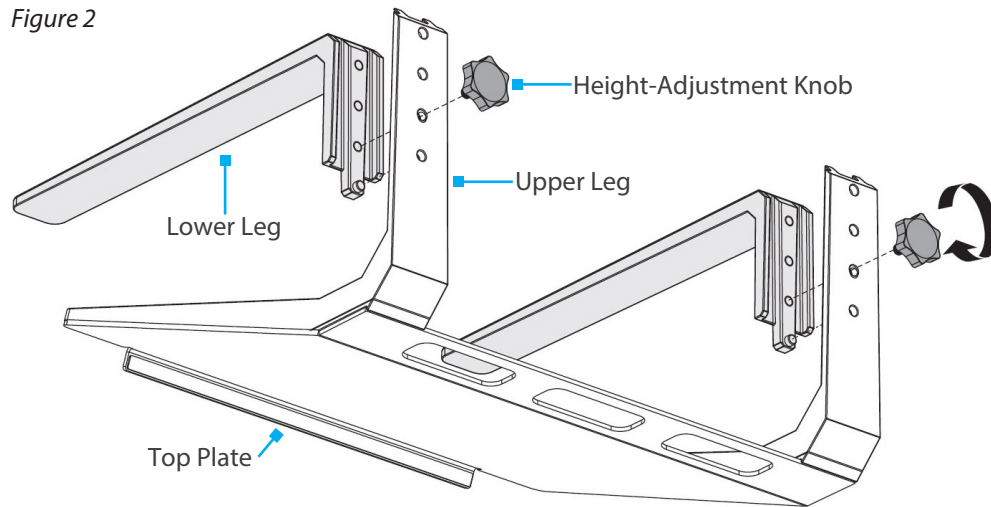
*Note: Align the outside edges of the **Upper Legs** with the outside edges of the **Top Plate** before tightening the **Nuts**.*

Figure 1



- Align the **Screw Holes** on the **Lower Legs** with the **Screw Holes** on the **Upper Legs** at the desired height adjustment setting.
- Insert the **Height-Adjustment Knobs** through the **Screw Holes** on the **Upper Legs** and into the **Screw Holes** on the **Lower Legs**, then hand-tighten the **Height-Adjustment Knob**, being careful not to over-tighten.

Figure 2



- Turn the **Laptop Stand Assembly** upright.
- (Optional) Route the **Laptop Cables** through the **Cable-Management Slots**.

## Operation

### Height Adjustment

- Disconnect the **Laptop Cables**, remove them from the **Cable-Management Slots**, and remove the **Laptop**.

- Place the **Laptop Stand Assembly**, top side down, on a **Clean, Flat, and Stable Surface**.

**Note:** The lip on the **Top Plate** can overhang off the edge of the **Surface** for a level adjustment.

- Remove the **Height-Adjustment Knobs** by turning each **Knob** counterclockwise.

**Note:** Ensure the **Upper Legs** are supported while removing the **Height Adjustment Knobs**.

- Align the **Screw Holes** on the **Lower Legs** with the **Screw Holes** on the **Upper Legs** at the desired height adjustment setting.
- Insert the **Height-Adjustment Knobs** through the **Screw Holes** on the **Upper Legs** and into the **Screw Holes** on the **Lower Legs**, then hand-tighten the **Height-Adjustment Knob**, being careful not to over-tighten.
- Turn the **Laptop Stand Assembly** upright.

### Use of Trademarks, Registered Trademarks, and other Protected Names and Symbols

This manual may make reference to trademarks, registered trademarks, and other protected names and/or symbols of third-party companies not related in any way to StarTech.com. Where they occur these references are for illustrative purposes only and do not represent an endorsement of a product or service by StarTech.com, or an endorsement of the product(s) to which this manual applies by the third-party company in question. StarTech.com hereby acknowledges that all trademarks, registered trademarks, service marks, and other protected names and/or symbols contained in this manual and related documents are the property of their respective holders.

### Warranty Information

This product is backed by a five-year warranty.

For further information on product warranty terms and conditions, please refer to [www.startech.com/warranty](http://www.startech.com/warranty).

### Limitation of Liability

In no event shall the liability of StarTech.com Ltd. and StarTech.com USA LLP (or their officers, directors, employees or agents) for any damages (whether direct or indirect, special, punitive, incidental, consequential, or otherwise), loss of profits, loss of business, or any pecuniary loss, arising out of or related to the use of the product exceed the actual price paid for the product. Some states do not allow the exclusion or limitation of incidental or consequential damages. If such laws apply, the limitations or exclusions contained in this statement may not apply to you.

<b>StarTech.com Ltd.</b> 45 Artisans Cres London, Ontario N5V 5E9 Canada	<b>StarTech.com LLP</b> 2500 Creekside Parkwy Lockbourne, Ohio 43137 U.S.A.	<b>StarTech.com Ltd.</b> Unit B, Pinnacle 15 Gowerton Rd, Brackmills Northampton NN4 7BW United Kingdom	FR: fr.startech.com DE: de.startech.com ES: es.startech.com NL: nl.startech.com IT: it.startech.com JP: jp.startech.com
--	--	---	--