



Pro Shredder 24CC
Pro Shredder 16MC

EN	Shredder	NL	Papierversnipperaar
DE	Aktenvernichter	NO	Makuleringsmaskin
BG	Шредер	PL	Niszczarka do dokumentów
CZ	Skartovač	PT	Destruidor de documentos
DA	Makulator	RO	Distrugător de documente
ES	Destructor de documentos	RU	Шредер
FI	Asiakirjasilppuri	SK	Skartovačka
FR	Destructeur de documents	SR	Šreder
GR	Καταστροφέας εγγράφων	SV	Dokumentförstörare
HR	Uništavač dokumenata	TR	Evrak İmha Makinesi
HU	Iratmegsemmisítő	AR	آلة تمزيق الورق
IT	Distruggidocumenti	HE	מגרסה

Art. No.: 2815 / 2816
v1.14.1
03/2022

EN

Read the Operating Manual	10
Intended Use	10
Observe the Safety Information.....	10
Checking the Package Contents.....	13
General View of the Shredder.....	13
Positioning the Shredder and Starting It Up	14
Operating the Shredder	15
Troubleshooting	16
Technical Data	19
Disposal	20
Information on Storage	20
Queries and Service	21
Declaration of Conformity	21
Manufacturer	21

DE

Bedienungsanleitung lesen.....	22
Bestimmungsgemäße Verwendung.....	22
Sicherheitshinweise beachten	22
Verpackungsinhalt prüfen.....	25
Ihr Aktenvernichter im Detail	25
Aktenvernichter aufstellen und in Betrieb nehmen.....	26
Aktenvernichter bedienen.....	27
Wenn etwas nicht funktioniert	28
Technische Daten	31
Entsorgung.....	32
Hinweise zur Lagerung	32
Fragen und Service	33
Konformitätserklärung.....	33
Hersteller.....	33

BG

Запознаване с ръководството за обслужване	34
Употреба по предназначение	34
Съблюдаване на указанията за безопасност	34
Контролиране на съдържанието на опаковката	37
Детайлно изображение на Вашия шредер	37
Поставяне и включване на шредера	38
Обслужване на шредера	39
Когато нещо не функционира	40
Технически характеристики.....	43
Рециклиране.....	44
Указания за съхранение.....	44
Въпроси и сервизно обслужване	45
Декларация за съответствие	45
Производител.....	45

CZ

Přečtení návodu k obsluze	46
Správné použití přístroje odpovídající jeho určení	46
Dodržování bezpečnostních pokynů	46
Kontrola obsahu balení	48
Detaily vašeho skartovače	49
Postavení a uvedení skartovače do provozu	50
Obsluha skartovače	51
Pokud něco nefunguje	52
Technické údaje	55
Likvidace	56
Pokyny ke skladování	56
Dotazy a služby	57
Prohlášení o shodě	57
Výrobce	57

DA

Læs brugervejledningen igennem	58
Tilslået brug	58
Overhold sikkerhedsanvisningerne	58
Kontrol af emballagens indhold	61
Oversigt over din makulator	61
Stil makulatoren op, og tag den i brug	62
Betjening af makulatoren	63
Hvis noget ikke fungerer	64
Tekniske data	67
Bortskaffelse	68
Henvisninger til opbevaring	68
Spørgsmål og service	69
Overensstemmelseserklæring	69
Producent	69

ES

Leer el manual de instrucciones	70
Uso previsto	70
Tener en cuenta las advertencias de seguridad	70
Comprobar el contenido del embalaje	73
La destructora de documentos en detalle	73
Instalar y poner en servicio la destructora de documentos	74
Manejo de la destructora de documentos	75
Si hay algo que no funciona	76
Datos técnicos	79
Eliminación	80
Advertencias sobre el almacenamiento	80
Preguntas y Servicio Técnico	81
Declaración de conformidad	81
Fabricante	81

FI

Lue käyttöohje	82
Määräystenmukainen käyttö	82
Huomioi turvallisuusohjeet	82
Pakkauksen sisällön tarkastaminen	85
Asiakirjasilppuri yksityiskohtaisesti	85
Asiakirjasilppurin asettaminen paikalleen ja käyttöön ottaminen	86
Asiakirjasilppurin käyttö	87
Häiriöiden esiintyessä	88
Tekniset tiedot	91
Hävittäminen	92
Varastointia koskevia ohjeita	92
Kysymykset ja asiakaspalvelu	93
Vaatimustenmukaisuusvakuutus	93
Valmistaja	93

FR

Lire le mode d'emploi	94
Utilisation conforme à l'usage prévu	94
Respecter les consignes de sécurité	94
Contrôler le contenu du coffret	97
Votre destructeur de documents en détail	97
Positionnement et mise en service du destructeur de documents	98
Comment utiliser le destructeur de documents	99
Si quelque chose ne fonctionne pas	100
Données techniques	103
Élimination	104
Remarques relatives au stockage du destructeur de documents	104
Questions et service	105
Déclaration de conformité	105
Fabricant	105

GR

Διαβάστε τις Οδηγίες Χρήσης	106
Χρήση σύμφωνα με τον προορισμό	106
Τηρείτε τις υποδείξεις ασφαλείας	106
Έλεγχος περιεχομένου συσκευασίας	109
Ο καταστροφέας εγγράφων λεπτομερώς	109
Τοποθέτηση και έναρξη λειτουργίας καταστροφέα εγγράφων	110
Χειρισμός καταστροφέα εγγράφων	111
Όταν κάτι δεν λειτουργεί	112
Τεχνικά στοιχεία	115
Αποκομιδή	116
Υπόδειξη για την αποθήκευση	116
Ερωτήσεις και σέρβις	117
Δήλωση συμμόρφωσης	117
Κατασκευαστής	117

HR

Pročitajte upute za uporabu	118
Uporaba u skladu s namjenom	118
Slijedite sigurnosne upute	118
Provjerite sadržaj ambalaže	120
Dijelovi Vašeg uništavača dokumenata	121
Postavljanje uništavača dokumenata i puštanje u rad	122
Rukovanje uništavačem dokumenata	123
Ako nešto ne radi kako treba	124
Tehnički podaci	127
Zbrinjavanje	128
Upute za spremanje	128
Pitanja i servis	129
Izjava o sukladnosti	129
Proizvođač	129

HU

A kezelési útmutató elolvasása	130
Rendeltetésszerű használat	130
Vegye figyelembe a biztonsági tudnivalókat	130
A csomagolás tartalmának ellenőrzése	133
Az iratmegsemmisítő részei	133
Az iratmegsemmisítő felállítása és üzembe helyezése	134
Az iratmegsemmisítő kezelése	135
Ha valami nem működik	136
Műszaki adatok	139
Ártalmatlanítás	140
Tárolásra vonatkozó tudnivalók	140
Kérdések és szerviz	141
Megfelelőségi nyilatkozat	141
Gyártó	141

IT

Leggere le istruzioni d'uso	142
Impiego conforme agli usi previsti	142
Osservare le indicazioni di sicurezza	142
Verificare il contenuto della confezione	145
Vista dettagliata del distruggidocumenti	145
Posizionamento e messa in funzione del distruggidocumenti	146
Esercizio del distruggidocumenti	147
Malfunzionamenti	148
Dati tecnici	151
Smaltimento	152
Indicazioni sulla conservazione	152
Domande e assistenza	153
Dichiarazione di conformità	153
Produttore	153

NL

Gebruiksaanwijzing lezen	154
Beoogd gebruik	154
Veiligheidsinstructies in acht nemen	154
Inhoud van de verpakking controleren	157
Uw papierversnipperaar in detail	157
Papierversnipperaar plaatsen en in gebruik nemen	158
Papierversnipperaar bedienen	159
Als er iets niet werkt	160
Technische gegevens	163
Verwijdering	164
Instructies voor opslag	164
Vragen en service	165
Verklaring van overeenstemming	165
Fabrikant	165

NO

Les bruksanvisningen	166
Tiltenkt bruk	166
Følg sikkerhetshenvisninger	166
Kontroller innholdet av pakken	169
Din makuleringsmaskin i detalj	169
Sette opp makuleringsmaskinen og sette den i drift	170
Betjene makuleringsmaskin	171
Hvis noe ikke fungerer	172
Tekniske data	175
Avfallshåndtering	176
Informasjon om lagring	176
Spørsmål og service	177
Samsvarserklæring	177
Produsent	177

PL

Zapoznanie się z instrukcją obsługi	178
Zastosowanie zgodne z przeznaczeniem	178
Przestrzeganie wskazówek dotyczących bezpieczeństwa	178
Sprawdzenie zawartości opakowania	181
Widok detaliczny niszczarki do dokumentów	181
Ustawianie i uruchamianie niszczarki do dokumentów	182
Obsługa niszczarki do dokumentów	183
Postępowanie w przypadku usterki	184
Parametry techniczne	187
Utylizacja	188
Wskazówki dotyczące magazynowania	188
Pytania i serwis	189
Deklaracja zgodności	189
Producent	189

PT

Leia o manual de instruções	190
Utilização conforme a finalidade	190
Observar os avisos de segurança	190
Verificar o conteúdo da embalagem	193
O seu destruidor de documentos em detalhe	193
Ligar o destruidor de documentos e iniciar a utilização	194
Operar o destruidor de documentos.	195
Caso algo não funcione	196
Dados técnicos.	199
Eliminação	200
Avisos para a armazenagem.	200
Perguntas e serviço	201
Declaração de conformidade	201
Fabricante	201

RO

Citirea manualului de utilizare	202
Utilizarea conform dispoziției	202
Respectarea instrucțiunilor de siguranță	202
Verificați conținutul ambalajului.	205
Prezentarea detaliată a distrugătorului de documente	205
Amplasarea distrugătorului de documente și punerea în funcțiune	206
Operarea distrugătorului de documente	207
Dacă ceva nu funcționează	208
Date tehnice	211
Eliminarea	212
Indicații privind depozitarea	212
Întrebări și servicii	213
Declarație de conformitate	213
Producătorul	213

RU

Чтение руководства по эксплуатации	214
Использование по назначению.	214
Соблюдение указаний по технике безопасности.	214
Проверить содержимое упаковки	217
Детальное представление shreddera.	217
Установка и ввод shreddera в эксплуатацию	218
Управление shreddером	219
Если что-то не работает	220
Технические данные.	223
Утилизация	224
Указания по хранению	224
Вопросы и сервисное обслуживание	225
Сертификат соответствия	225
Изготовитель.	225

SK

Prečítajte si návod na obsluhu	226
Použitie podľa určenia	226
Dodržiavajte bezpečnostné pokyny	226
Skontrolujte obsah obalu.	229
Podrobné zobrazenie Vašej skartovačky	229
Postavenie a uvedenie skartovačky do prevádzky.	230
Obsluha skartovačky	231
Ak niečo nefunguje	232
Technické údaje	235
Likvidácia.	236
Pokyny na uskladnenie	236
Otázky a služby	237
Vyhlásenie o zhode.	237
Výrobca	237

SR

Pročitati uputstvo za upotrebu.	238
Pravilna upotreba	238
Poštovati sigurnosne napomene.	238
Proveriti sadržaj pakovanja	241
Vaš šreder detaljno	241
Postaviti šreder i pustiti ga u rad	242
Upotreba šredera	243
Ako nešto ne funkcioniše.	244
Tehnički podaci.	247
Zbrinjavanje	248
Napomene o skladištenju	248
Pitanja i servis	249
Izjava o konformnosti.	249
Proizvođač	249

SV

Läs bruksanvisningen.	250
Ändamålsenlig användning.	250
Beakta säkerhetsanvisningarna.	250
Kontrollera förpackningsinnehållet.	253
Dokumentförstöraren i detalj.	253
Ställa upp dokumentförstöraren och ta den i drift	254
Hantering av dokumentförstöraren	255
Om något inte fungerar	256
Tekniska data	259
Avfallshantering	260
Förvaringsanvisningar	260
Frågor och service.	261
Försäkran om överensstämmelse.	261
Tillverkare	261

TR

كullanma kılavuzunu okuyunuz	262
Amacına uygun kullanım	262
Güvenlik uyarılarına dikkat ediniz	262
Ambalaj içeriğinin kontrol edilmesi	265
Evrak imha makinesinin ayrıntıları	265
Evrak imha makinesinin yerleştirilmesi ve çalıştırılması	266
Evrak imha makinesinin kullanılması	267
Bir şeyler çalışmazsa	268
Teknik veriler	271
Tasfiye	272
Depolama bilgileri	272
Sorular ve servis	273
Uygunluk beyanı	273
Üretici	273

AR

اقرأ دليل الاستعمال	282
الاستخدام المطابق للتعليمات	282
مراعاة تعليمات السلامة	282
افحص محتوى العبوة	280
آلة تمزيق الأوراق الخاصة بك بالتفصيل	280
نصب آلة تمزيق الورق وتشغيلها	279
استخدام آلة تمزيق الورق	278
إذا كان أحد المكونات لا يعمل	277
المواصفات الفنية	275
التخلص من النفايات	275
تعليمات التخزين	274
الأسئلة والخدمة	274
إعلان المطابقة	274
الشركة المنتجة	274

HE

קרא את הוראות ההפעלה	291
שימוש בהתאם ליעוד	291
יש להישמע להנחיות הבטיחות	291
בדיקת תכולת הארזיה	289
פירוט חלקי המגרסה	289
הצבת המגרסה והתחלת שימוש	288
שימוש במגרסה	287
במקרה של תקלה	286
מפרט טכני	284
סילוק	284
הנחיות אחסון	283
שאלות ושיירות	283
הצהרת תאימות	283
היצרן	283

Read the Operating Manual



Read this operating manual through carefully, observing all the information contained regarding handling and using the shredder. Keep the operating manual close by for future reference.

Intended Use

The shredder has been designed to shred paper, credit cards, paper clips and staples. The shredder is exclusively intended for private use indoors.

Any other use is considered unintended use. Unauthorised modifications or reconstructions are not permitted and lead to loss of rights to claims under the terms of guarantee.

Observe the Safety Information

Read and observe all the warnings to protect yourself and the environment from any harm.



Warning!

Risk of injury through the insertion mechanism. Loose items could get caught in the insertion slot and cause injuries. Keep fingers, hair, scarves, ties, jewellery etc. away from the insertion slot.



Warning!

Risk of injury through electric shock. Handling the shredder improperly could lead to an electric shock. Unauthorised modifications or reconstructions to the shredder are not permitted. Do not operate the shredder if the power cable is damaged. Switch off the shredder immediately in the case of damage or improper functioning and disconnect the power plug. Only use the power cable supplied.

Repairs may only be carried out by properly qualified specialists. Pay attention that the shredder is set-up in the vicinity of an easily accessible power socket so that the shredder can be disconnected from the power supply in an emergency. Never handle the shredder with wet hands. Avoid any contact with water.

Always unplug the power plug when the device is not being used. Only use the power cable supplied



Warning!

Risk of suffocation due to small parts, packaging or protective foils. Children can swallow or choke on small parts, packaging and protective foils. Keep the device and its packaging materials out of reach of children.

**Warning!**

This device can be used by children from the age of eight and persons with restricted physical, sensory or mental capabilities or a lack of experience and/or knowledge when they are supervised or have been instructed with regard to safe use of the device and the risks involved with its use. Children must not be allowed to play with the device. Children must not be allowed to complete any cleaning or service work on the device without adequate supervision.

**Caution!**

Risk of tripping due to improperly laid power cable. Lay the power cable in such a way that nobody can trip over it. Make sure the power plug and cable cannot be damaged.

**Important!**

Risk of property damage. Avoid exposing the device to environmental influences such as smoke, dust, vibration, chemicals, moisture, heat or direct sunlight.

Only use the shredder in indoor rooms and within the permissible ambient conditions stipulated in the Technical Data.

Observe the following information to ensure that the shredder always functions as you expect it to.



Read the operating instructions thoroughly before starting to use the device.



Keep long hair away from the shredder.



Keep all loose pieces of clothing, jewellery or other loose items away from the shredder.



Keep ties and scarves away from the shredder.



General indication of potential risks, so that particular care is required.



Never reach into the insertion slot.



Keep children and pets away from the shredder.



Do not spray any inflammable gases in the direction of the shredder. Never use air sprays.



Observe the maximum number of sheets (refer to "Technical Data").

**Caution!**

Risk of injury through sharp edge of cutting mechanism!

**Warning!**

This device is not intended to be used by children. Prevent hands, clothes and hair coming into contact with the insertion slot.

Unplug the power plug if the device will not be used for a longer period. This device is equipped with hazardous moving parts, so ensure you keep limbs well away from the moving parts.

Only use the product indoors.



Credit cards must be inserted vertically.



The «Geprüfte Sicherheit» mark (GS tested safety mark) certifies that the product satisfies the requirements defined by the German Product Safety Act (ProdSG).

The GS tested safety mark indicates that when implemented for its intended use and in the event of foreseeable misuse the identified product will not endanger the safety and health of the user. It concerns a voluntary safety mark which was issued by an authorized testing institute.

Checking the Package Contents

Check the package contents of your shredder before putting the shredder into operation.

If anything is missing or damaged, do not use the shredder. Contact our Service department.

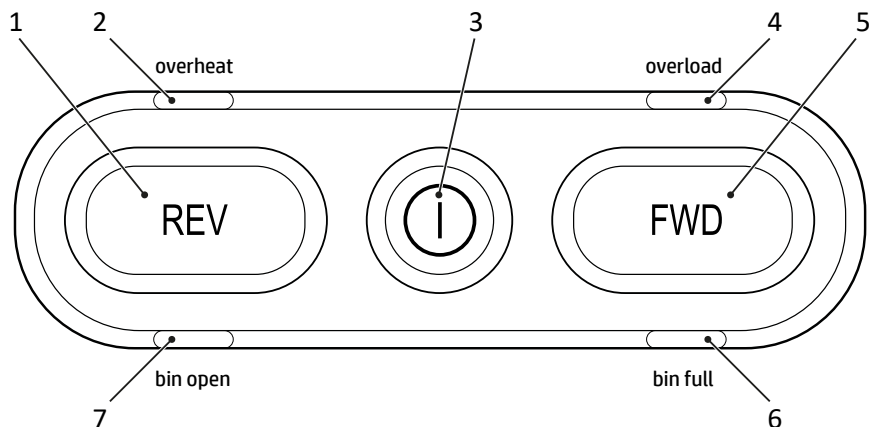
- 1 Pro Shredder 24CC or Pro Shredder 16MC shredder with waste bin for cuttings
- 1 operating manual
- 1 power cable
- 1 oiled sheet

General View of the Shredder

The following figure illustrates the shredder in detail.



1	Operating buttons / Status indicator	5	Grip
2	Insertion slot	6	Viewing window / Grip
3	Cutting mechanism	7	Waste bin
4	Status indicator, front	8	Castors



1	Reverse running button	5	Forward running button
2	Overheat, status LED	6	Bin full, status LED
3	On/Off button	7	Bin open, status LED
4	Overload, status LED		

Positioning the Shredder and Starting It Up

The shredder only operates when the waste bin supplied is fitted. Do not position the shredder near any sources of heat and maintain a distance of at least 10 cm to walls. This ensures the shredder is sufficiently cooled.

- 1 Set the shredder down on a stable, level, horizontal surface and in the vicinity of an easily accessible power socket.
 - 2 Slide the waste bin in the device. The waste bin latches audibly in place. If the waste bin is not fitted in the device properly, the shredder cannot be switched on.
- i** Only use the power cable supplied.
- 3 Connect the power cable to the device.
 - 4 Connect the power plug to a power socket.
 - 5 Switch the device on by pressing the **On/Off** button.
 - ➔ The status indicator lights up blue.
 - ➔ You have put the shredder into operation.

Operating the Shredder

The shredder works using an automatic shredding mechanism. The shredder is operated using the operating buttons on the top of the device.

i The shredder is equipped with an additional status indicator at the front. This status indicator indicates a fault has occurred which is specified by the buttons and status LEDs on the top of the device.

Shredding Material Automatically

Observe the maximum permissible cutting capacity and other specifications defined in Section **Technical Data**.



Warning!

This device is not intended to be used by children. Prevent hands, clothes and hair coming into contact with the insertion slot.

Unplug the power plug if the device will not be used for a longer period. This device is equipped with hazardous moving parts, so ensure you keep limbs well away from the moving parts.

Important!

Risk of property damage through material jam! Observe the maximum cutting capacity of the insertion slot.

- 1 Feed the material to be shredded in the centre of the insertion slot.
 - ➔ The insertion slot draws the material in automatically and stops when no more material is fed in.

Shredding Material Manually

On rare occasions, it is possible that the sensors do not detect the material inserted.

- 1 Press and hold the **FWD** button.
 - ➔ The material is then drawn in and shredded.
- 2 Release the **FWD** button.

Switching the Shredder Off

Switch the shredder off when you no longer need to use it.

- 1 Switch the device off by pressing the **On/Off** button.
 - ➔ The shredder is switched off.
- 2 Disconnect the power plug from the power socket if the shredder will not be used for a longer period of time.

Sleep Mode

If the shredder remains switched on but is not operated for 30 minutes, it automatically enters Sleep mode. The status indicator on the front of the shredder goes out. The status indicator on the top of the shredder dims.

Proceed as follows to deactivate Sleep mode:

1 Feed material to be shredded in the centre of the insertion slot.

→ The shredder is ready to operate again.

i Alternatively, press the **FWD** or **REV** key on the shredder to deactivate Sleep mode.

Troubleshooting

The following information should provide help if something is not working as would be expected.

Overheating Protection

The shredder switches off automatically in the event of overheating. The status indicator lights up RED.

Wait the period of time defined in Section **Technical Data** for the shredder to cool down.

→ When the cool down phase has elapsed, the status indicator lights up BLUE.

→ Shredding is resumed.

i Observe the minimum clearance to walls and the information on continuous operation in Section **Technical Data**.

Overload Protection

If you have inserted more material than is specified in Section **Technical Data**, the status indicator flashes RED and the shredder automatically starts running in reverse for 5 seconds.

1 Pull the material out of the shredder.

→ The blockage has now been cleared.

i After the material has been removed from the shredder, the cutting mechanism continues to run for 3 seconds to clean itself. Wait until the shredder has stopped and the status indicator lights up BLUE.

Oiling the Cutting Mechanism

If you want to increase the working life of the shredder, you should oil the shredder's cutting mechanism at regular intervals.

Special oil and oiled sheets are available for the shredder from HP.

Important!

Risk of property damage through using the wrong oil! Do not use spray oils. Only use a special oil intended for shredders.

There are various ways to oil the cutting mechanism.

Oiling Using Self-Oiled Paper:

- 1 Apply the special oil for shredders in several lines horizontally across a sheet of paper.
- 2 Insert the oiled sheet of paper in the insertion slot.
 - ➔ The paper with oil applied is inserted and oils the cutting mechanism.

Oiling Using Oiled Sheets

- 1 Insert the oiled sheet in the paper infeed.
 - ➔ The paper with oil applied is inserted and oils the cutting mechanism.

Emptying the Waste Bin

The fill level of the waste bin is monitored by a sensor.

i When the fill level is high, the "Bin full" status LED flashes RED. The cutting mechanism of the shredder stops and you must empty the waste bin.

- 1 Switch the device off by pressing the **On/Off** button.

- 2 Pull the waste bin out of the device.

i If you have not switched the device off, the "Bin open" status LED lights up RED.

- 3 Empty the waste bin.

- 4 Slide the waste bin in the device.

➔ The waste bin latches audibly in place.

➔ You have emptied the waste bin.

Clearing Residual Material

If the shredder no longer shreds material as you expect, remove any residual material from the cutting mechanism.

- 1 Press and hold the **REV** button. The cutting mechanism runs in reverse and releases any material remaining in the cutting mechanism.
- 2 Release the **REV** button.
- 3 Switch the device off by pressing the **On/Off** button.
- 4 Disconnect the power plug from the power socket.



Caution! Risk of injury through sharp edge of cutting mechanism! Take the utmost care when removing the material residue.

- 5 Remove the residual material carefully from the cutting mechanism using an appropriate pointed object.
→ You have removed material residue from the cutting mechanism.

Cleaning the Shredder

Clean the shredder at regular intervals.



Caution! Risk of injury through flash flame! Such flash flames can occur when using air sprays. Never use air sprays.

- 1 Switch the device off by pressing the **On/Off** button.
- 2 Disconnect the power plug from the power socket.
- 3 Clean the surface of the housing with a soft, dry, lint-free cloth. Do not use any aerosols, solvents or cleaning agents.

Technical Data


Model	Pro Shredder 24CC	Pro Shredder 16MC
Dimensions (mm)	W: 295 L: 424 H: 645	W: 295 L: 424 H: 645
Security level compliant with DIN 66399-2	P-4	P-5
Cuttings size (thickness × width, mm)	4 × 35	2 × 15
Max. cutting capacity (sheets / credit cards)	24/1	16/1
Working width (mm)	220	220
Power supply	220-240 V~, 50 Hz, 3.0 A, 680 W	220-240 V~, 50 Hz, 3.0 A, 680 W
Max. ambient temperature [°C]	25	25
Capacity, waste bin (l)	30	30
Weight (kg)	20	18.2
Volume (dB)	55	55
Continuous operation (min) / Cool down phase (min)	40 / 50	40 / 50
Operating speed (m/min)	1.6	1.6
Shred type	Cross cut	Micro -cut


We declare that these devices, with regard to their task of the destruction of documents, fulfil the conditions defined for Security Levels P-4 and P-5 in accordance with DIN 66399.

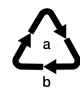
P-4: Recommended for data media containing particularly sensitive and confidential data. Material particle area $\leq 160 \text{ mm}^2$ and for consistent particles: strip width $\leq 6 \text{ mm}$ (e.g. particles $4 \times 40 \text{ mm}$).


P-5: Recommended for data media containing data which should remain secret. Material particle area $\leq 30 \text{ mm}^2$ and for consistent particles: strip width $\leq 2 \text{ mm}$ (e.g. particles $2 \times 15 \text{ mm}$).


Disposal


 Find out about the possibilities of taking back used appliances free of charge from your dealer.


 The adjacent symbol indicates laws dictate that electrical and electronic apparatus no longer required must be disposed of separate from domestic waste. Dispose of your device at a collection point provided by your local public waste authority. Packaging materials must be disposed of according to local regulations.

 Observe the identification on the packaging materials during the waste sorting process; they are identified by abbreviations (b) and numbers (a) which have the following significance: 1–7: plastic/20–22: paper and cardboard/80–98: composite materials

 Packaging materials must be disposed of according to local regulations.

 The packaging is made of environmentally friendly materials that you can dispose of at local recycling points. Advice on the options with which to dispose of your old device can be obtained from your municipal or local administration offices.

 The device and packaging materials can be recycled; sort them for disposal to simplify waste management. The Triman logo is only relevant for France.r Frankreich.

 The device and the packaging material can be recycled, so sort them prior to disposal for better waste management. Contact your local authorities for information on the various options available to ensure correct disposal. Observe the following identifications of the packaging materials: (a) numbers, (b) abbreviations and (c) materials which have the following significance: 1–7: plastics / 20–22: paper and cardboard / 80–98: composite materials and (d) type of packaging. The logo is only applicable to Italy.

Information on Storage

The shredder must be stored safely after use. Observe the following information:

Store the shredder

- in its original packaging
- in a dry, clean location
- in a cooled state

Queries and Service

Dear Customer,

We are delighted that you have chosen this product.

If it does not work as intended or it appears to be defective, please contact the sales outlet where you purchased the product.

Further information is available under the heading Contact & Service on our website:

www.hp.com/officeequipment.

Declaration of Conformity

CE The CE mark on the device confirms its conformity.

The Declaration of Conformity can be read online at www.hp.com/officeequipment.

UK The UKCA mark on the device confirms its conformity.

CA The Declaration of Conformity can be read online at www.hp.com/officeequipment.

Manufacturer

GO Europe GmbH
Zum Kraftwerk 1
D-45527 Hattingen
Germany

Bedienungsanleitung lesen



Lesen Sie die Bedienungsanleitung aufmerksam durch und beachten Sie die Hinweise bei der Handhabung Ihres Aktenvernichters. Bewahren Sie die Bedienungsanleitung für eine spätere Verwendung auf.

Bestimmungsgemäße Verwendung

Ihr Aktenvernichter ist geeignet für das Zerkleinern von Papier, Kreditkarten, Büroklammern und Heftklammern. Der Aktenvernichter ist ausschließlich für den privaten Gebrauch in geschlossenen Räumen geeignet.

Jede andere Verwendung gilt als nicht bestimmungsgemäß. Eigenmächtige Veränderungen oder Umbauten sind nicht zulässig und führen zum Verlust der Gewährleistung.

Sicherheitshinweise beachten

Lesen und beachten Sie die Warnhinweise, um sich und die Umwelt zu schützen.



Warnung!

Verletzungsgefahr durch Einzugsmechanismus. Lose Gegenstände können sich im Einzug verfangen und Verletzungen hervorrufen. Halten Sie Finger, Haare, Schals, Krawatten, Schmuck etc. vom Einzug fern.



Warnung!

Verletzungsgefahr durch Stromschlag. Fehlerhafter Umgang mit dem Aktenvernichter kann zu Stromschlag führen. Eigenmächtige Veränderungen oder Umbauten am Aktenvernichter sind nicht zulässig. Betreiben Sie den Aktenvernichter nicht mit einem beschädigten Netzkabel. Schalten Sie den Aktenvernichter bei Beschädigungen oder nicht ordnungsgemäßer Funktion sofort ab und ziehen Sie den Netzstecker. Verwenden Sie ausschließlich das mitgelieferte Netzkabel.

Lassen Sie Reparaturen nur von qualifiziertem Fachpersonal durchführen. Stellen Sie den Aktenvernichter in der Nähe einer leicht zugänglichen Steckdose auf, damit der Aktenvernichter im Notfall schnell vom Stromnetz getrennt werden kann. Niemals mit nassen Händen anfassen. Jeden Kontakt mit Wasser vermeiden.



Warnung!

Erstickungsgefahr durch Kleinteile, Verpackungsmaterialien oder Schutzfolien. Kinder können Kleinteile, Verpackungsmaterialien oder Schutzfolien verschlucken. Kinder vom Gerät und dessen Verpackung fernhalten.

**Warnung!**

Dieses Gerät kann von Kindern ab einem Alter von acht Jahren und von Personen mit eingeschränkten physischen, sensorischen oder geistigen Fähigkeiten oder einem Mangel an Erfahrung und/oder Wissen verwendet werden, wenn sie beaufsichtigt werden oder bezüglich des sicheren Gebrauchs des Geräts unterwiesen wurden und die daraus resultierenden Gefahren verstanden haben. Kinder dürfen nicht mit dem Gerät spielen. Reinigung und Benutzerwartung dürfen nicht durch Kinder ohne Beaufsichtigung durchgeführt werden.

**Vorsicht!**

Stolpergefahr durch unsachgemäß verlegtes Netzkabel. Verlegen Sie das Netzkabel so, dass niemand darüber stolpern kann. Achten Sie darauf, dass keine Schäden am Netzstecker und am Netzkabel auftreten können.

**Wichtig!**

Sachschaden möglich. Umwelteinflüsse wie z. B. Rauch, Staub, Erschütterungen, Chemikalien, Feuchtigkeit, Hitze oder direkte Sonneneinstrahlung vermeiden.

Verwenden Sie den Aktenvernichter nur in geschlossenen Räumen und innerhalb der in den **Technischen Daten** angegebenen zulässigen Umgebungsbedingungen.

Beachten Sie die folgenden Hinweise, damit Ihr Aktenvernichter stets so funktioniert, wie Sie es erwarten.



Lesen Sie vor der Inbetriebnahme die Bedienungsanleitung durch.



Halten Sie langes Haar von Ihrem Aktenvernichter fern.



Halten Sie lose Teile von Bekleidung, Schmuck oder andere lose Gegenstände von Ihrem Aktenvernichter fern.



Halten Sie Krawatten und Schals von Ihrem Aktenvernichter fern.



Allgemeiner Hinweis auf mögliche Gefahren, die Ihre besondere Aufmerksamkeit erfordern.



Greifen Sie niemals direkt in den Eingang.



Halten Sie Kinder und Haustiere von Ihrem Aktenvernichter fern.



Sprühen Sie keine brennbaren Gase in die Richtung Ihres Aktenvernichters. Verwenden Sie niemals Druckluftsprays.



Beachten Sie die maximale Anzahl an Blättern (siehe Technische Daten).

**Vorsicht!**

Verletzungsgefahr durch scharfkantiges Schneidwerk!



Warnung!

Dieses Gerät ist nicht für die Verwendung durch Kinder vorgesehen. Vermeiden Sie es, die Einzugsöffnung mit den Händen, Kleidung oder Haaren zu berühren.

Ziehen Sie den Netzstecker, wenn Sie das Gerät über einen längeren Zeitraum nicht benutzen. In diesem Gerät befinden sich gefährliche bewegliche Teile, halten Sie Körperteile von beweglichen Teilen fern.



Verwenden Sie das Produkt nur in Innenräumen.



Führen Sie Kreditkarten nur vertikal ein.



Das Siegel «Geprüfte Sicherheit» (GS-Zeichen) bescheinigt, dass das Produkt den Anforderungen des deutschen Produktsicherheitsgesetzes (ProdSG) entspricht. Das GS-Zeichen zeigt an, dass bei bestimmungsgemäßer Verwendung und bei vorhersehbarer Fehlanwendung des gekennzeichneten Produkts die Sicherheit und Gesundheit des Nutzers nicht gefährdet sind. Es handelt sich hierbei um ein freiwilliges Sicherheitszeichen, das durch ein geeignetes Prüfinstitut ausgestellt wurde.

Verpackungsinhalt prüfen

Prüfen Sie den Verpackungsinhalt Ihres Aktenvernichters, bevor Sie Ihren Aktenvernichter in Betrieb nehmen.

Sollte etwas fehlen oder beschädigt sein, nehmen Sie den Aktenvernichter keinesfalls in Betrieb. Wenden Sie sich an unseren Service.

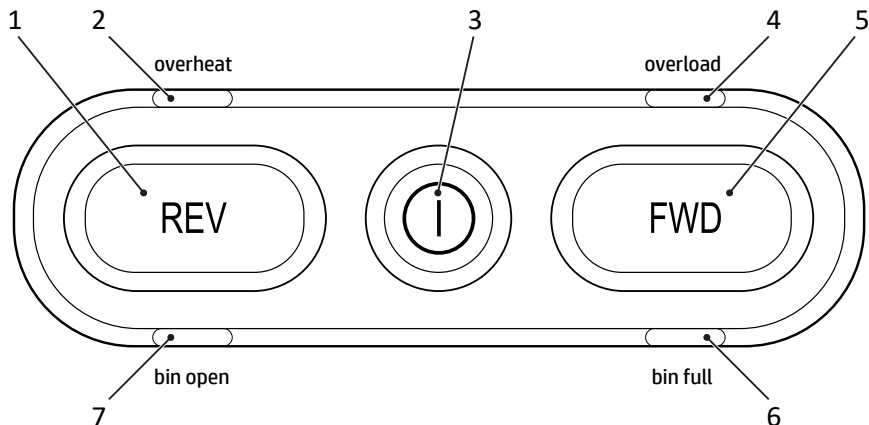
- 1 Aktenvernichter Pro Shredder 24CC oder Pro Shredder 16MC mit Auffangbehälter für Schnittgut
- 1 Bedienungsanleitung
- 1 Netzkabel
- 1 Blatt Öl-Papier

Ihr Aktenvernichter im Detail

Die folgende Abbildung zeigt Ihnen den Aktenvernichter im Detail.



1	Bedientasten / Statusanzeige	5	Handgriff
2	Einzug	6	Sichtfenster / Handgriff
3	Schneidwerk	7	Auffangbehälter
4	Statusanzeige vorne	8	Rollen



1	Taste Rückwärtslauf	5	Taste Vorwärtslauf
2	Status-LED Überhitzung	6	Status-LED Auffangbehälter voll
3	Hauptschalter Ein/Aus	7	Status-LED Auffangbehälter offen
4	Status-LED Überladung		

Aktenvernichter aufstellen und in Betrieb nehmen

Ihr Aktenvernichter funktioniert nur mit dem Auffangbehälter. Stellen Sie den Aktenvernichter nicht in der Nähe von Wärmequellen auf und halten Sie einen Abstand von mindestens 10 cm zur Wand ein. So wird der Aktenvernichter ausreichend gekühlt.

- 1 Stellen Sie den Aktenvernichter standsicher auf einer ebenen, waagerechten Oberfläche und in der Nähe einer leicht zugänglichen Steckdose auf.
- 2 Schieben Sie den Auffangbehälter in das Gerät. Der Auffangbehälter rastet hörbar ein. Sitzt der Auffangbehälter nicht ordnungsgemäß in dem Gerät, kann der Aktenvernichter nicht eingeschaltet werden.

i Verwenden Sie ausschließlich das mitgelieferte Netzkabel.

- 3 Schließen Sie das Netzkabel an das Gerät an.
- 4 Schließen Sie den Netzstecker an der Steckdose an.
- 5 Schalten Sie das Gerät ein, indem Sie den Hauptschalter **Ein/Aus** drücken.
 - ➔ Die Statusanzeige leuchtet BLAU.
 - ➔ Sie haben Ihren Aktenvernichter in Betrieb genommen.

Aktenvernichter bedienen

Ihr Aktenvernichter arbeitet mit einer automatischen Zerkleinerung. Der Aktenvernichter wird über die Bedientasten an der Oberseite des Geräts bedient.

- Der Aktenvernichter ist auf der Vorderseite mit einer zusätzlichen Statusanzeige ausgestattet.
- Diese Statusanzeige gibt die Anzeigen der auf der Oberseite vorhandenen Tasten und LEDs wieder.

Material automatisch zerkleinern

Beachten Sie die maximal zulässige Schnittleistung und weitere in den **Technischen Daten** angegebenen Spezifikationen.



Warnung!

Dieses Gerät ist nicht für die Verwendung durch Kinder vorgesehen. Vermeiden Sie es, die Einzugsöffnung mit den Händen, Kleidung oder Haaren zu berühren. Ziehen Sie den Netzstecker, wenn Sie das Gerät über einen längeren Zeitraum nicht benutzen. In diesem Gerät befinden sich gefährliche bewegliche Teile, halten Sie Körperteile von beweglichen Teilen fern.

Wichtig!

Sachschaden durch Materialstau! Beachten Sie die maximale Schnittleistung des Einzugs.

- 1 Führen Sie zu zerkleinerndes Material mittig in den Einzug ein.
 - ➔ Der Einzug zieht das Material ein und stoppt, wenn kein weiteres Material eingeführt wird.

Material manuell zerkleinern

In seltenen Fällen erkennen die Sensoren eingeführtes Material nicht.

- 1 Drücken und halten Sie die Taste **FWD**.
 - ➔ Das Material wird manuell eingezogen und zerkleinert.
- 2 Lassen Sie die Taste **FWD** los.

Aktenvernichter ausschalten

Schalten Sie den Aktenvernichter aus, wenn Sie den Aktenvernichter nicht mehr benötigen.

- 1 Schalten Sie das Gerät aus, indem Sie den Hauptschalter **Ein/Aus** drücken.
 - ➔ Sie haben den Aktenvernichter ausgeschaltet.
- 2 Ziehen Sie den Netzstecker aus der Steckdose, wenn der Aktenvernichter über einen längeren Zeitraum nicht benutzt wird.

Schlafmodus

Wenn Sie den Aktenvernichter für 30 Minuten nicht verwenden, geht der Aktenvernichter in den Schlafmodus. Die Statusanzeige auf der Vorderseite des Aktenvernichters erlischt. Die Statusanzeige auf der Oberseite des Aktenvernichters wird gedimmt.

Um den Schlafmodus auszuschalten, führen Sie folgenden Schritt aus:

1 Führen Sie zu verkleinertes Material mittig in den Einzug ein.

→ Der Aktenvernichter ist wieder betriebsbereit.

i Alternativ drücken Sie die Taste **FWD** oder die Taste **REV** des Aktenvernichters, um den Schlafmodus auszuschalten.

Wenn etwas nicht funktioniert

Die folgenden Hinweise helfen Ihnen, wenn etwas nicht so funktioniert, wie Sie es erwarten.

Überhitzungsschutz

Der Aktenvernichter schaltet sich bei Überhitzung automatisch ab. Die Statusanzeige leuchtet ROT.

Warten Sie die in den **Technischen Daten** angegebene Zeitdauer ab, bis der Aktenvernichter abgekühlt ist.

→ Nach der Abkühlphase leuchtet die Statusanzeige BLAU.

→ Die Zerkleinerung wird fortgesetzt.

i Beachten Sie den Mindestabstand zur Wand und die Angaben zum Dauerbetrieb in den **Technischen Daten**.

Überladungsschutz

Haben Sie mehr Material zugeführt als in den **Technischen Daten** angegeben, blinkt die Statusanzeige ROT und der Aktenvernichter startet für 5 Sekunden den automatischen Rückwärtslauf.

1 Ziehen Sie das Material aus dem Aktenvernichter.

→ Sie haben die Blockierung gelöst.

i Nachdem das Material aus dem Aktenvernichter entfernt wurde, bewegt sich das Schneidwerk für 3 Sekunden weiter um sich zu reinigen. Warten Sie, bis der Aktenvernichter wieder stillsteht und die Statusanzeige BLAU leuchtet.

Schneidwerk ölen

Ölen Sie das Schneidwerk des Aktenvernichters in regelmäßigen Abständen, um die Lebensdauer des Aktenvernichters zu verlängern.

Es sind spezielles Öl und Öl-Blätter für Aktenvernichter von HP erhältlich.

Wichtig!

Sachschaden durch die Verwendung falscher Öle! Keine Sprühöle verwenden. Ausschließlich Spezialöl für Aktenvernichter verwenden.

Sie haben verschiedene Möglichkeiten das Schneidwerk zu ölen.

Ölen mit selbst geöltem Papier:

- 1 Tragen Sie Spezialöl für Aktenvernichter in mehreren Querlinien auf ein Blatt Papier auf.
- 2 Führen Sie das geölte Blatt Papier dem Einzug zu.
 - ➔ Das mit Öl benetzte Papier wird eingezogen und ölt das Schneidwerk.

Ölen mit Öl-Blättern

- 1 Führen Sie das Öl-Blatt Papier in den Einzug ein.
 - ➔ Das mit Öl benetzte Papier wird eingezogen und ölt das Schneidwerk.

Auffangbehälter leeren

Der Füllstand des Auffangbehälters wird durch einen Sensor überwacht.

i Bei hohem Füllstand blinkt die Status-LED „Auffangbehälter voll“ ROT. Das Schneidwerk des Aktenvernichters stoppt und sie müssen den Auffangbehälter entleeren.

- 1 Schalten Sie das Gerät aus, indem Sie den Hauptschalter **Ein/Aus** drücken.

- 2 Ziehen Sie den Auffangbehälter aus dem Gerät.

i Falls Sie das Gerät nicht ausgeschaltet haben, leuchtet die Status-LED „Auffangbehälter offen“ ROT.

- 3 Leeren Sie den Auffangbehälter.

- 4 Schieben Sie den Auffangbehälter in das Gerät.

➔ Der Auffangbehälter rastet hörbar ein.

➔ Sie haben den Auffangbehälter entleert

Materialreste entfernen

Wenn Ihr Aktenvernichter das Material nicht mehr so zerkleinert, wie Sie es erwarten, entfernen Sie verbliebene Materialreste aus dem Schneidwerk.

- 1 Drücken und halten Sie die Taste **REV**. Das Schneidwerk läuft rückwärts und gibt im Schneidwerk verbliebenes Material frei.
- 2 Lassen Sie die Taste **REV** los.
- 3 Schalten Sie das Gerät aus, indem Sie den Hauptschalter **Ein/Aus** drücken.
- 4 Ziehen Sie den Netzstecker aus der Steckdose.



Vorsicht! Verletzungsgefahr durch scharfkantiges Schneidwerk! Lassen Sie beim Entfernen von Materialresten besondere Vorsicht walten.

- 5 Entfernen Sie verbliebene Materialreste mit einem geeigneten spitzen Gegenstand vorsichtig aus dem Schneidwerk.
→ Sie haben die Materialreste aus dem Schneidwerk entfernt.

Aktenvernichter reinigen

Reinigen Sie den Aktenvernichter in regelmäßigen Abständen.



Vorsicht! Verletzungsgefahr durch Stichflamme! Bei Verwendung von Druckluftsprays kann es zu Stichflammen kommen. Verwenden Sie niemals Druckluftsprays.

- 1 Schalten Sie das Gerät aus, indem Sie den Hauptschalter **Ein/Aus** drücken.
- 2 Ziehen Sie den Netzstecker aus der Steckdose.
- 3 Reinigen Sie die Gehäuseoberflächen mit einem weichen, trockenen, fusselfreien Tuch. Verwenden Sie keine Druckluftsprays, Reinigungs- oder Lösungsmittel.

Technische Daten


Modell	Pro Shredder 24CC	Pro Shredder 16MC
Abmessungen (mm)	B: 295 L: 424 H: 645	B: 295 L: 424 H: 645
Sicherheitsstufe nach DIN 66399-2	P-4	P-5
Größe Schnittgut (Dicke × Breite, mm)	4 × 35	2 × 15
max. Schnittleistung (Blätter / Kreditkarte)	24/1	16/1
Arbeitsbreite (mm)	220	220
Stromversorgung	220-240 V~, 50 Hz, 3.0 A, 680 W	220-240 V~, 50 Hz, 3.0 A, 680 W
Max. Umgebungstemperatur [°C]	25	25
Fassungsvermögen Auffangbehälter (l)	30	30
Gewicht (kg)	20	18,2
Lautstärke (dB)	55	55
Dauerbetrieb (min) / Abkühldauer (min)	40 / 50	40 / 50
Arbeitsgeschwindigkeit (m/min)	1.6	1.6
Schnittart	Partikelschnitt	Mikroschnitt


Wir erklären, dass diese Geräte bei der Vernichtung von Dokumenten die Voraussetzungen der Sicherheitsstufen P-4 und P-5 nach DIN 66399 erfüllen.


P-4: Empfohlen für Datenträger mit besonders sensiblen und vertraulichen Daten. Materialteilchenfläche $\leq 160 \text{ mm}^2$ und für regelmäßige Partikel: Streifenbreite $\leq 6 \text{ mm}$ (z.B. Partikel $4 \times 40 \text{ mm}$).

P-5: Empfohlen für Datenträger mit geheim zuhaltenden Daten. Materialteilchenfläche $\leq 30 \text{ mm}^2$ und für regelmäßige Partikel: Streifenbreite $\leq 2 \text{ mm}$ (z.B. Partikel $2 \times 15 \text{ mm}$).


Entsorgung


 Informieren Sie sich über die Möglichkeiten der unentgeltlichen Rücknahme von Altgeräten bei Ihrem Händler.

 Das nebenstehende Symbol bedeutet, dass elektrische und elektronische Altgeräte aufgrund gesetzlicher Bestimmungen getrennt vom Hausmüll zu entsorgen sind. Entsorgen Sie Ihr Gerät bei der Sammelstelle Ihres kommunalen Entsorgungsträgers.

 Beachten Sie die Kennzeichnung des Verpackungsmaterials bei der Abfalltrennung, diese sind gekennzeichnet mit Abkürzungen (a) und Nummern (b) mit folgender Bedeutung: 1–7: Kunststoffe / 20–22: Papier und Pappe / 80–98: Verbundstoffe.

 Entsorgen Sie Verpackungsmaterialien entsprechend den lokalen Vorschriften.

 Die Verpackung besteht aus umweltfreundlichen Materialien, die Sie über die örtlichen Recyclingstellen entsorgen können. Informieren Sie sich bei Ihrer Kommune über die Möglichkeiten der korrekten Entsorgung.

 Das Gerät und das Verpackungsmaterial sind recycelbar, entsorgen Sie diese getrennt für eine bessere Abfallbehandlung. Das Triman-Logo gilt nur für Frankreich.

 Das Gerät und das Verpackungsmaterial sind recycelbar, entsorgen Sie diese getrennt für eine bessere Abfallbehandlung. Informieren Sie sich bei Ihrer Kommune über die Möglichkeiten der korrekten Entsorgung. Dieses Symbol gilt nur für Italien.

Hinweise zur Lagerung

Nach der Verwendung muss der Aktenvernichter sicher gelagert werden. Beachten Sie die folgenden Hinweise:

Lagern Sie den Aktenvernichter

- nur in der Originalverpackung
- an einem trockenen, sauberen Ort
- nur in abgekühltem Zustand

Fragen und Service

Lieber Kunde,

wir freuen uns, dass Sie sich für dieses Gerät entschieden haben.

Bei Fragen und Problemen steht Ihnen unsere Service-Hotline unter der Telefonnummer **+49 (0)180 5 007514** (Kosten aus dem dt. Festnetz bei Drucklegung: 14ct/Min., mobil maximal 42ct/Min.) zur Verfügung.

Weitere Informationen finden Sie auch im Bereich Kontakt & Service auf unserer Internetseite **www.hp.com/officeequipment**.

Eine Rücksendung erfolgt unter Beifügung des Kaufbelegs und idealerweise in der Originalverpackung an:

WSG Wilhelmshavener Service Gesellschaft mbH
Krabbenweg 14
26388 Wilhelmshaven (Germany)

Konformitätserklärung

CE Das CE-Kennzeichen auf dem Gerät bestätigt die Konformität.

Die Konformitätserklärung finden Sie unter **www.hp.com/officeequipment**.

UK Das UKCA-Kennzeichen auf dem Gerät bestätigt die Konformität.

CA Die Konformitätserklärung finden Sie unter **www.hp.com/officeequipment**.

Hersteller

GO Europe GmbH
Zum Kraftwerk 1
D-45527 Hattingen
Deutschland

Запознаване с ръководството за обслужване



Прочетете внимателно ръководството за обслужване и съблюдавайте указанията при употреба на шредера. Запазете ръководството за обслужване за по-късна употреба.

Употреба по предназначение

Вашият шредер е подходящ за нарязване респ. надробвяване на хартия, кредитни карти, кламери и скоби. Шредерът е предназначен само за частна употреба в затворени помещения.

Всяка друга употреба не отговаря на предназначението. Забранено е извършването на своеволни промени или модификации на шредера, което води до загуба на гаранцията.

Съблюдаване на указанията за безопасност

Прочетете и спазвайте предупредителните указания, за да предпазите себе си и околната среда.



Предупреждение!

Опасност от нараняване от изтеглящия механизъм. Свободните предмети могат да блокират в изтеглящия механизъм и да причинят наранявания. Дръжте пръсти, коса, шалове, вратовръзки, бижута и т. н. далеч от изтеглящия механизъм.



Предупреждение!

Опасност от нараняване поради електрически удар. Неправилното боравене с шредера може да причини електрически удар. Забранено е извършването на своеволни промени или модификации на шредера. Не използвайте шредера с повреден мрежов кабел. Веднага изключвайте шредера при повреда или неправилна функция и издърпайте кабела от контакта. Използвайте само доставения мрежов кабел. Оставете поправките да се извършват само от квалифициран персонал. Поставете шредера в близост до лесно достъпен контакт, за да може в спешен случай той бързо да бъде изключен. Никога не го докосвайте с мокри ръце. Избягвайте всякакъв контакт с вода.

Винаги изключвайте щепсела от контакта, когато устройството не се използва. Използвайте само доставения мрежов кабел.



Предупреждение!

Опасност от задушаване поради наличието на дребни детайли, опаковъчни материали или защитни фолиа. Децата могат да погълнат малки части, опаковъчни материали или защитно фолио. Дръжте настрана децата от уреда и неговата опаковка.

**Предупреждение!**

Този уред може да се използва от деца над 8-годишна възраст, както и от лица с намалени физически, сетивни или умствени способности или липса на опит и познания, ако те се намират под наблюдение или са инструктирани за безопасното използване на уреда и разбират произтичащите от това опасности. Децата не трябва да използват уреда като играчка. Почистването и поддръжката не трябва да се извършват от деца без надзор.

**Внимание!**

Опасност от препъване поради неправилно положен кабел. Положете мрежовия кабел така, че никой да не може да се препъне в него. Обърнете внимание на това щепселът или кабелът да не могат да бъдат повредени.

**Важно!**

Възможни са материални щети. Избягвайте влияния на околната среда като дим, прах, вибрации, химикали, влага, топлина или директна слънчева светлина.

Използвайте шредера само в затворени помещения и само при посочените в техническите данни допустими условия.

Съблюдавайте следните указания, за да може шредерът винаги да функционира така, както очаквате.



Прочетете ръководството за обслужване, преди да използвате шредера.



Дръжте настрана от шредера дълги коси.



Дръжте настрана от шредера свободни части от облеклото или други незакрепени предмети.



Дръжте настрана от шредера вратовръзки и шалове.



Общо указание за възможни опасности, които изискват особено внимание.



Никога не посягайте директно в изтеглящия механизъм.



Дръжте настрана от шредера деца и домашни животни.



Не пръскайте горими газове в соката, в която се намира шредера. Никога не използвайте спрейове.



Обърнете внимание на максималния брой листове (вж. „Технически характеристики“).

**Внимание!**

Опасност от нараняване от остър режещ механизъм!



Предупреждение!

Този уред не е предвиден да се използва от деца. Избягвайте да докосвате входящия отвор с ръце, дрехи или коси.

Изключете щепсела от контакта, ако не използвате уреда за по-дълго време. В този уред се намират опасни движещи се детайли. Дръжте настрана от тях всички части от тялото.

Използвайте продукта само в закрити помещения.



Въвеждайте кредитните карти само във вертикална посока.



Печатът „тествана безопасност“ (GS сертификат) удостоверява, че продуктът отговаря на изискванията на германския закон за безопасност на продуктите (ProdSG).

GS сертификатът сочи, че обозначеният продукт не застрашава безопасността и здравето на потребителя, когато се използва по предназначение и при предвидена неправилна употреба. Тук става въпрос за доброволен знак за безопасност, издаден от оторизиран за целта сертифициращ институт.

Контролиране на съдържанието на опаковката

Проверете съдържанието на опаковката на шредера, преди да го включите.

В никакъв случай не използвайте шредера, ако липсва нещо или има нещо повредено. Обърнете се към нашия сервис.

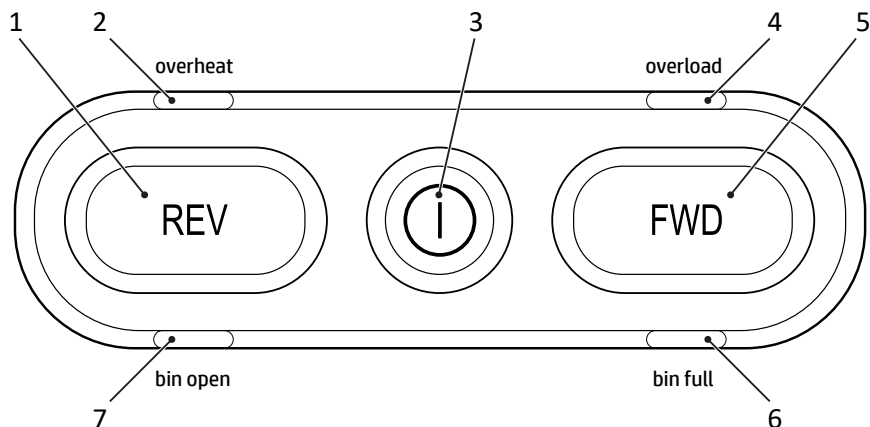
- 1 шредер Pro Shredder 24CC или Pro Shredder 16MC с кош за нарязаните парченца.
- 1 ръководство за обслужване
- 1 мрежов кабел
- 1 лист омаслена хартия

Детайлно изображение на Вашия шредер

На следното изображение можете да видите отделните детайли на шредера.



1	Бутони за обслужване / Индикация за състоянието	5	Дръжка
2	Изтеглящ механизъм	6	Прозорче / ръкохватка
3	Режещ механизъм	7	Кош
4	Индикация за състоянието отпред	8	Колелца



1	Бутон за движение на обратен ход	5	Бутон за движение напред
2	Светодиодна лампичка при прегряване	6	Светодиодна лампичка при пълен кош
3	Главен прекъсвач ВКЛ. / ИЗКЛ.	7	Светодиодна лампичка при отворен кош
4	Светодиодна лампичка при претоварване		

Поставяне и включване на шредера

Шредерът функционира само с коша. Не поставяйте шредера в близост до топлинни източници и поддържайте разстояние от най-малко 10 см до стената. Това позволява достатъчно охлаждане на шредера.

- 1 Поставете шредера стабилно върху гладка, хоризонтална повърхност и в близост до лесно достъпен контакт.
- 2 Пъхнете коша в шредера. Кошът се фиксира с кликване. Ако шредерът не е поставен правилно в уреда, той няма да може да се включи.

i Използвайте само доставения мрежов кабел.

- 3 Включете мрежовия кабел към уреда.
- 4 Включете щепсела в контакта.
- 5 Включете уреда като натиснете главния прекъсвач **ВКЛ./ИЗКЛ.**

➔ Индикацията за състоянието светва в СИНЬО.

➔ Вече можете да използвате Вашия шредер.

Обслужване на шредера

Вашият шредер за унищожаване на документи работи с автоматично накъсване/раздробяване. Шредерът се обслужва от бутоните върху горната част на уреда.

i Отпред шредерът има допълнителна индикация за състояние. Тази индикация показва състоянието на намиращите се отпред бутони и светодиодни лампички.

Автоматично накъсване/раздробяване на материала

Спазвайте максимално допустимата мощност на рязане и другите, посочени в техническите характеристики спецификации.



Предупреждение!

Този уред не е предвиден да се използва от деца. Избягвайте да докосвате входящия отвор с ръце, дрехи или коси. Изключете щепсела от контакта, ако не използвате уреда за по-дълго време. В този уред се намират опасни движещи се детайли. Дръжте настрана от тях всички части от тялото.

Важно!

Материални щети поради задръстване! Обърнете внимание на максималната мощност на рязане на изтеглящия механизъм.

- 1 Поставете материала за накъсване/раздробяване в средата на изтеглящия механизъм.
 - ➔ Изтеглящият механизъм изтегля материала и спира, ако не се постави друг материал.

Ръчно накъсване/раздробяване на материал

В редки случаи сензорите не разпознават поставения материал.

- 1 Натиснете и задръжте натиснат бутон **FWD**.
 - ➔ Материалът се изтегля ръчно и се накъсва/раздробява.
- 2 Отпуснете бутон **FWD**.

Изключване на шредера

Изключете шредера, когато не Ви е повече необходим.

- 1 Изключете уреда като натиснете главния прекъсвач **ВКЛ./ИЗКЛ**.
 - ➔ Вашият шредер е изключен.
- 2 Изключете щепсела от контакта, ако не използвате шредера за по-дълго време.

„Спящ“ режим

Ако не използвате шредера за 30 минути, той преминава в „спящ“ режим. Индикацията за състояние на предната страна на шредера изгасва. Индикацията за състояние на орната страна на шредера се затъмнява.

За да изключите „спящия“ режим, извършете следните стъпки:

- 1 Поставете материала за накъсване/раздробяване в средата на изтеглящия механизъм.
 - ➔ Шредерът се намира отново в готовност.

i Алтернативно натиснете бутон **FWD** или бутон **REV** на шредера, за да изключите „спящия“ режим,

Когато нещо не функционира

Следните указания ще Ви помогнат, ако нещо не функционира така както очаквате.

Термостат

Шредерът се изключва автоматично, когато прегрее. Индикацията за състоянието светва в ЧЕРВЕНО.

Изчакайте, както е посочено в **Техническите характеристики**, докато шредерът се охлади.

- ➔ След като шредерът се охлади, индикацията за състоянието светва в СИНЬО.
- ➔ Накъсването продължава.

i Съблюдавайте минималното разстояние за поставяне до стената и данните за непрекъснатата експлоатация, посочени в **Техническите характеристики**.

Защита от претоварване

Ако сте поставили повече материал от посочения в **Техническите характеристики**, индикацията за състоянието мига в червено и след 5 секунди шредерът се включва на обратен ход.

- 1 Изтеглете материала от шредера.
 - ➔ Отстранихте блокирането.

i След като се отстрани материалът от шредера, режещият механизъм продължава да се движи в продължение на 3 секунди, за да се почисти. Изчакайте, докато шредерът спре и индикацията светне в СИНЬО.

Смазване на режещия механизъм

Смазвайте на редовни интервали режещия механизъм на шредера, за да удължите срока на неговата експлоатация.

За шредерите на HP се предоставя специално масло и омаслени листове.

Важно!

Материални щети поради използването на неправилни масла! Не използвайте маслени спрейове. Използвайте само специално масло за шредери.

Имате различни възможности за смазване на режещия механизъм.

Смазване с омаслена от Вас хартия:

- 1 Нанесете специалното масло за шредери на линии върху лист хартия.
- 2 Поставете омасления лист хартия в изтеглящия механизъм.
 - ➔ Намастената хартия се изтегля и омаслява режещия механизъм.

Смазване с омаслени листове

- 1 Поставете омасления лист в изтеглящия механизъм.
 - ➔ Намастената хартия се изтегля и омаслява режещия механизъм.

Изпразване на коша

Нивото на напълване на коша се следи от сензор.

i Когато той е пълен, светодиодната лампичка „Пълен кош“ мига в ЧЕРВЕНО. Режещият механизъм на шредера спира да работи и Вие трябва да изпразните коша с нарязаните парченца.

1 Изключете уреда като натиснете главния прекъсвач **ВКЛ./ИЗКЛ.**

2 Издърпайте коша от уреда.

i Ако не сте изключили уреда, свети светодиодната лампичка „Отворен кош“ свети в ЧЕРВЕНО.

3 Изпразнете коша с нарязаните парченца.


4 Пъхнете коша в шредера.

➔ Кошът се фиксира с кликване.

➔ Изпразнихте коша.


Отстраняване на остатъци от материала

Ако шредерът не нарязва повече материала така както очаквате, отстранете остатъците от режещия механизъм.

- 1 Натиснете и задръжте натиснат бутон **REV**. Режещият механизъм се включва в обратна посока и освобождава остатъчния материал.
 - 2 Отпуснете бутон **REV**.
 - 3 Изключете уреда като натиснете главния прекъсвач **ВКЛ./ИЗКЛ.**
 - 4 Изключете щепсела от контакта.
-  **Внимание!** Опасност от нараняване от остър режещ механизъм! Бъдете изключително внимателни, когато отстранявате остатъци от материала.
- 5 Отстранете внимателно остатъците от режещия механизъм като за целта използвате остър предмет.
→ Отстранихте остатъчния материал от режещия механизъм.

Почистване на шредера

Почиствайте шредера на редовни интервали.

 **Внимание!** Опасност от нараняване поради островръх пламък! При използване на спрейове може да се получи островръх пламък. Никога не използвайте спрейове.

- 1 Изключете уреда като натиснете главния прекъсвач **ВКЛ./ИЗКЛ.**
- 2 Изключете щепсела от контакта.
- 3 Почистете повърхността на уреда с мека, суха кърпа без власинки. Не използвайте спрейове, разтворители или почистващи препарати.

Технически характеристики


Modell	За Shredder 24CC	За Shredder 16MC
Размери (mm)	Ш: 295 Д: 424 В: 645	Ш: 295 Д: 424 В: 645
Степен на безопасност съгласно DIN 66399-2	P-4	P-5
Размер на накъсаните парченца (дебелина × ширина, mm)	4 × 35	2 × 15
Макс. мощност на рязане (листове / кредитни карти)	24/1	16/1
Работна ширина (mm)	220	220
Електрозахранване	220-240 V~, 50 Hz, 3.0 A, 680 W	220-240 V~, 50 Hz, 3.0 A, 680 W
Макс. температура на околната среда [°C]	25	25
Вместимост на коша (l)	30	30
Тегло (kg)	20	18,2
Сила на звука (dB)	55	55
Непрекъснатата работа (мин.) / време за охлаждане (мин)	40 / 50	40 / 50
Работна скорост (m/min)	1,6	1.6
Вид на рязане	на парченца	микропарченца

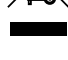
Декларираме, че тези уреди изпълняват предпоставките на степените на безопасност P-4 и P-5 съгласно DIN 66399 при унищожаване на документи.


P-4: Препоръчва се за носители на данни с особено чувствителни и поверителни данни. Площ на материалните частици $\leq 160 \text{ mm}^2$ и за редовни частици: ширина на лентата $\leq 6 \text{ mm}$ (напр. частици $4 \times 40 \text{ mm}$).

P-5: Препоръчва се за носители на тайни данни. Площ на материалните частици $\leq 30 \text{ mm}^2$ и за редовни частици: ширина на лентата $\leq 2 \text{ mm}$ (напр. частици $2 \times 15 \text{ mm}$).


Рециклиране

 Този символ показва, че електрическите и електронните стари уреди трябва да се изхвърлят отделно от битовите отпадъци според законовите разпоредби.

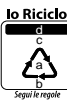
 Рециклирайте Вашия уред в пункт за събиране на вторични суровини във Ваша близост.

 Обърнете внимание на маркировката на опаковъчните материали при разделното изхвърляне, те са маркирани със съкращения (б) и номера (а) със следното значение: 1–7, пластмаса / 20–22: хартия и картон / 80–98: смесени материали.

 Изхвърляйте опаковъчните материали в съответствие с местните разпоредби.

 Опаковката е направена от екологични материали, които можете да изхвърлите в местните центрове за рециклиране. Информирайте се във Вашата община относно възможностите за правилно рециклиране.g.

 Уредът и опаковъчните материали могат да се рециклират, да се изхвърлят отделно за по-добро третиране на отпадъците. Логото на Triman е валидно само за Франция.

 Уредът и опаковъчните материали могат да се рециклират, да се изхвърлят отделно за по-добро третиране на отпадъците. Информирайте се във Вашата община относно възможностите за правилно рециклиране. Обърнете внимание на маркировката на опаковъчните материали със следното значение: (а) номера, (б) съкращения и (в) материал със следното значение: 1–7: пластмаса / 20–22: хартия и картон / 80–98: смесени материали, както и (г) вид на опаковката. Това лого важи само за Италия.

Указания за съхранение

След употреба шредерът трябва да се съхранява на безопасно място. Съблюдавайте следните указания:

Съхранявайте шредера

- само в оригиналната му опаковка
- на сухо и чисто място
- само в охладено състояние

Въпроси и сервизно обслужване

Скъпи клиенти,

радваме се, че сте избрали този уред.

В случай на дефект, върнете уреда заедно с касовата бележка и оригиналната опаковка в магазина, където сте го закупили.

Допълнителна информация можете да намерите и в раздела „Контакт и сервизно обслужване“ на нашия уебсайт www.hp.com/officeequipment.

Декларация за съответствие

CE Знакът CE на уреда потвърждава това съответствие.

Декларацията за съответствие ще намерите на www.hp.com/officeequipment.

UK Знакът UKCA на уреда потвърждава съответствието.

CA Декларацията за съответствие ще намерите на www.hp.com/officeequipment.

Производител

GO Europe GmbH
Zum Kraftwerk 1
D-45527 Hattingen
Германия

Přečtení návodu k obsluze



Pozorně si přečtěte návod k obsluze a při manipulaci se skartovačem dodržujte bezpečnostní pokyny. Návod k obsluze uschovejte pro budoucí potřebu.

Správné použití přístroje odpovídající jeho určení

Váš skartovač je vhodný pro skartování papíru, kreditních karet, kancelářských svorek a sešivacích sponek. Skartovač je vhodný výhradně jen pro soukromé použití v uzavřených prostorech.

Jakékoliv jiné použití se považuje za použití neodpovídající účelu. Svévolné změny nebo přestavby nejsou přípustné a vedou ke ztrátě záruky.

Dodržování bezpečnostních pokynů

Přečtěte si varovné pokyny a respektujte je, abyste chránili sebe i životní prostředí.



Výstraha!

Nebezpečí poranění zaváděcím mechanismem. Volné předměty se mohou zaklesnout v zaváděcím otvoru a způsobit poranění. Vyvarujte se toho, abyste prsty, vlasy, šály, kravaty, šperky atd. měli v blízkosti zaváděcího otvoru.



Výstraha!

Nebezpečí poranění elektrickým proudem. Nesprávná manipulace se skartovačem může vést k poranění elektrickým proudem. Není přístupné svévolné provádění změn nebo přestaveb na skartovači. Skartovač nepoužívejte s poškozeným síťovým kabelem. Pokud je skartovač dokumentů poškozen nebo nefunguje správně, okamžitě jej vypněte a vytáhněte síťovou zástrčku. Používejte výhradně jen dodaný síťový kabel.

Oprawy dovolte provádět pouze kvalifikovanému personálu. Skartovač postavte do blízkosti dobře přístupné zásuvky, aby tak mohl být v případě nouze rychle odpojen od elektrické sítě. Nikdy jej nechte mokřýma rukama. Zabraňte jakémukoli kontaktu s vodou.

Pokud zařízení nepoužíváte, vždy vytáhněte síťovou zástrčku ze zásuvky. Používejte pouze dodaný síťový kabel.



Výstraha!

Nebezpečí udušení vdechnutím či spolknutím malých dílů, obalových materiálů nebo ochranných fólií. Děti mohou spolknout malé díly, obalový materiál nebo ochranné fólie. Zařízení a jeho obal udržujte mimo dosah dětí.



Výstraha!

Tento přístroj mohou používat děti od osmi let a osoby se sníženými fyzickými, smyslovými nebo duševními schopnostmi nebo nedostatkem zkušeností anebo vědomostí, jen pokud jej používají pod dozorem nebo byly instruovány o bezpečném zacházení s přístrojem a porozuměly z toho plynoucím rizikům. Děti si se zařízením nesmějí hrát. Čištění a uživatelskou údržbu nesmí děti provádět bez dozoru.



Pozor!

Nebezpečí klopýtnutí v důsledku neodborně položeného síťového kabelu. Síťový kabel položte tak, aby o něj nikdo nemohl zakopnout. Dbejte na to, aby síťová zástrčka a síťový kabel nebyly poškozeny.



Důležité!

Možné věcné škody. Zabraňte působení vlivů okolního prostředí, jako je např. kouř, prach, otřesy, chemikálie, vlhkost, horko nebo přímé sluneční záření.

Skartovač používejte pouze v uzavřených prostorech a v rámci přípustných podmínek prostředí uvedených v části Technické údaje.

Dodržujte následující pokyny, aby váš skartovač stále pracoval podle očekávání.



Před uvedením do provozu si přečtěte návod k obsluze.



Dlouhé vlasy udržujte v dostatečné vzdálenosti od skartovače.



Volné součásti oděvu, šperky nebo jiné volné předměty udržujte v dostatečné vzdálenosti od skartovače.



Kravaty a šály udržujte v dostatečné vzdálenosti od skartovače.



Obecné upozornění na možná nebezpečí, která vyžadují vaše zvláštní pozornost.



Varování!

Toto zařízení není určeno k použití dětmi. Zabraňte kontaktu vstupního otvoru s rukama, oděvem nebo vlasy. Vytáhněte síťový konektor, jestliže nebudete přístroj po delší dobu používat. V tomto přístroji se nacházejí nebezpečné pohyblivé díly, proto mějte části těla mimo dosah pohyblivých dílů.



Nikdy nesahejte přímo do zaváděcího otvoru.



Děti a domácí zvířata udržujte v dostatečné vzdálenosti od vašeho skartovače.



Hořlavé plyny nestříkejte směrem ke skartovači. Nikdy nepoužívejte spreje pod tlakem.



Dodržujte maximální počet listů (viz Technické údaje).



Opatrně!

Nebezpečí poranění o řezací mechanismus s ostrými hranami!



Kreditní karty zavádějte jen vertikálně.



Produkt provozujte jen ve vnitřních prostorách.



Pečeť „Geprüfte Sicherheit“ (testovaná bezpečnost) (značka GS) potvrzuje, že produkt splňuje požadavky německého zákona o bezpečnosti produktů (ProdSG).

Značka GS znamená, že není ohrožena bezpečnost a zdraví uživatele, pokud je produkt používán v souladu s určením a pokud je předvídatelné, že není používán nesprávně. Toto je dobrovolná bezpečnostní značka, kterou vydal vhodný zkušební ústav.

Kontrola obsahu balení

Před uvedením skartovače do provozu zkontrolujte obsah balení vašeho skartovače.

Pokud by něco chybělo nebo bylo poškozeno, skartovač v žádném případě neuvádějte do provozu. Obratě se na náš servis.

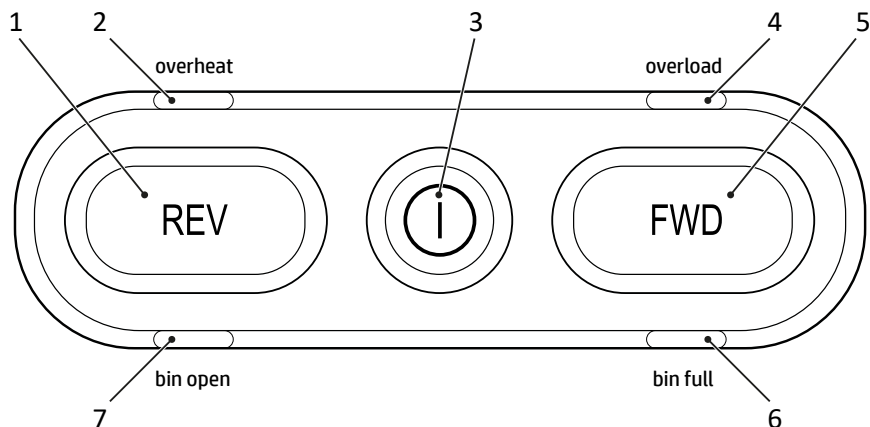
- 1 skartovač Pro Shredder 24CC nebo Pro Shredder 16MC se sběrnou nádobou pro skartovaný materiál
- 1 návod k obsluze
- 1 síťový kabel
- 1 list naolejovaného papíru

Detaily vašeho skartovače

Na následujícím obrázku je detailně představen skartovač.



1	Ovládací tlačítka / indikace stavu	5	Rukojeť
2	Zaváděcí otvor	6	Průhledítko / rukojeť
3	Řezací mechanismus	7	Sběrná nádoba
4	Indikátor stavu vpředu	8	Kolečka



1	Tlačítko pro Zpětný chod	5	Tlačítko pro Chod vpřed
2	Stavová LED pro Přehřátí	6	Stavová LED Sběrná nádoba plná
3	Hlavní vypínač pro Zapnutí/vypnutí	7	Stavová LED Sběrná nádoba otevřená
4	Stavová LED Přebíť		

Postavení a uvedení skartovače do provozu

Váš skartovač funguje jen se sběrnou nádobou. Skartovač nestavte do blízkosti tepelných zdrojů, od stěny by měl být vzdálen alespoň 10 cm. Skartovač se tak bude dostatečně ochlazovat.

- 1 Skartovač stabilně postavte na rovný, vodorovný povrch a do blízkosti dobře přístupné zásuvky.
- 2 Zasuňte sběrnou nádobu zpět do zařízení. Sběrná nádoba slyšitelně zaskočí. Pokud zachytná nádoba není správně umístěna v přístroji, nelze skartovač zapnout.

i Používejte výhradně jen dodaný síťový kabel.

- 3 Připojte napájecí kabel k zařízení.
- 4 Připojte síťovou zástrčku do zásuvky.
- 5 Zapněte zařízení stisknutím hlavního vypínače **Zapnutí/vypnutí**.
 - ➔ Stavová indikace svítí modře.
 - ➔ Uvedli jste skartovač do provozu.

Obsluha skartovače

Váš skartovač pracuje jen s automatickou skartací. Skartovač je ovládán pomocí tlačítek na horní straně zařízení.

- Skartovač je na přední straně vybaven dodatečnou stavovou indikací. Tato stavová indikace reprodukuje indikace tlačítek a LED nacházejících se na horní straně.

Automatická skartace materiálu

Respektujte maximálně přípustný řezný výkon a další specifikace uvedené v části **Technické údaje**.



Varování!

Toto zařízení není určeno k použití dětmi. Zabraňte kontaktu vstupního otvoru s rukama, oděvem nebo vlasy.

Vytáhněte síťový konektor, jestliže nebudete přístroj po delší dobu používat. V tomto přístroji se nacházejí nebezpečné pohyblivé díly, proto mějte části těla mimo dosah pohyblivých dílů.

Důležité!

Věcné škody kvůli nahromadění materiálu! Respektujte maximální řezný výkon.

- 1 Materiál určený ke skartaci vložte do středu zaváděcího otvoru.
 - ➔ Zaváděcí otvor vtáhne skartovaný materiál a zastaví se, jestliže nebude zaveden další materiál.

Ruční skartace materiálu

Někdy se stane, že senzory nerozpoznají přiváděný materiál.

- 1 Stiskněte a držte stisknuté tlačítko **FWD**.
 - ➔ Materiál je ručně vtažen a skartován.

- 2 Uvolněte tlačítko **FWD**.

Vypnutí skartovače

Skartovač vypněte, jestliže jej již nebudete potřebovat.

- 1 Vypněte zařízení stisknutím hlavního vypínače **Zapnutí/vypnutí**.
 - ➔ Skartovač je vypnutý.
- 2 Vytáhněte síťovou zástrčku ze zásuvky, jestliže nebudete skartovač po delší dobu používat.

Klidový režim

Nebudete-li skartovač používat po dobu delší než 30 minut, přejde skartovač do klidového režimu. Zhasne stavová indikace na přední straně skartovače. Zešedne stavová indikace na horní straně skartovače.

K vypnutí klidového režimu proveďte následující kroky:

1 Materiál určený ke skartaci vložte do středu zaváděcího otvoru.

→ Skartovač je zase připraven k provozu.

i K vypnutí klidového režimu alternativně stiskněte tlačítko **FWD** nebo **REV** na skartovači.

Pokud něco nefunguje

Následující pokyny vám pomohou, jestliže nebude něco fungovat tak, jak očekáváte.

Ochrana proti přehřátí

Skartovač se při přehřátí automaticky vypne. Stavová indikace svítí červeně.

Počkejte po dobu uvedenou v části **Technické údaje**, dokud skartovač nevychladne.

→ Po fázi ochlazování se rozsvítí stavová indikace MODŘE.

→ Skartování pokračuje.

i Dbejte na minimální vzdálenost od stěny a údaje k trvalému provozu uvedené v části **Technické údaje**.

Ochrana proti přeplnění

Pokud jste vložili více materiálu, než je uvedeno v části **Technické údaje**, začne blikat stavová indikace ČERVENĚ a skartovač na 5 sekund spustí automatický zpětný běh.

1 Vytáhněte materiál ze skartovače.

→ Tím uvolníte zablokování.

i Po vyjmutí materiálu ze skartovače pokračuje řezací jednotka po dobu 3 sekund v pohybu, aby se sama vyčistila. Počkejte, až se skartovač znovu zastaví a stavová indikace se rozsvítí MODŘE.

Naolejování řezného mechanismu

K prodloužení životnosti skartovače mažte v pravidelných intervalech řezací mechanismus skartovače olejem.

Pro skartovač HP můžete zakoupit speciální olej a naolejované listy.

Důležité!

Věcné škody při použití nesprávných olejů! Nepoužívejte rozprašovací oleje. Používejte výhradně jen speciální olej určený pro skartovače.

Máte různé možnosti naolejování řezací jednotky.

Olejování naolejovaným papírem:

- 1 Speciální olej pro skartovače naneste v několika pruzích příčně na list papíru.
- 2 Do otvoru pro zavádění papíru zaveďte naolejovaný list papíru.
 - ➔ Papír potřísněný olejem se vtáhne a naolejuje řezací mechanismus.

Olejování naolejovanými listy

- 1 Vložte naolejovaný list oleje do podavače.
 - ➔ Papír potřísněný olejem se vtáhne a naolejuje řezací mechanismus.

Vyprázdnění sběrné nádoby

Naplnění sběrné nádoby se kontroluje senzorem.

i Po naplnění začne ČERVENĚ blikat stavová LED „Sběrná nádoba plná“. Řezací mechanismus skartovače se zastaví a musíte vyprázdnit sběrnou nádobu.

1 Vypněte zařízení stisknutím hlavního vypínače **Zapnutí/vypnutí**.

2 Sběrnou nádobu vytáhněte z přístroje.

i Pokud nevypnete zařízení, rozsvítí se ČERVENÁ stavová LED „Sběrná nádoba otevřená“.

3 Vyprázdněte sběrnou nádobu.

4 Zasuňte sběrnou nádobu zpět do zařízení.

➔ Sběrná nádoba slyšitelně zaskočí.

➔ Sběrná nádoba je vyprázdněná

Odstranění zbytku materiálu

Pokud již skartovač neskartuje materiál tak, jak očekáváte, odstraňte z řezného mechanismu zbytky materiálu.

- 1 Stiskněte a držte stisknuté tlačítko **REV**. Řezný mechanismus běží zpět a uvolní materiál nacházející se v řezném mechanismu.
- 2 Uvolněte tlačítko **REV**.
- 3 Vypněte zařízení stisknutím hlavního vypínače **Zapnutí/vypnutí**.
- 4 Vytáhněte zástrčku ze zásuvky.



Pozor!

Nebezpečí poranění o řezací mechanismus s ostrými hranami! Při odstraňování zbytků materiálu buďte velmi opatrní.

- 5 Vhodným špičatým předmětem opatrně z řezného mechanismu odstraňte zbytky materiálu.
→ Zbytky materiálu jsou odstraněny z řezného mechanismu.

Čištění skartovače

Skartovač čistěte v pravidelných intervalech.



Pozor!

Nebezpečí poranění šlehovým plamenem! Při použití sprejů pod tlakem může vzniknout šlehový plamen. Nikdy nepoužívejte spreje pod tlakem.

- 1 Vypněte zařízení stisknutím hlavního vypínače **Zapnutí/vypnutí**.
- 2 Vytáhněte zástrčku ze zásuvky.
- 3 Povrch skříně vyčistěte měkkou a suchou utěrkou nepouštějící vlákna. Nepoužívejte žádné spreje s tlakovým vzduchem, čisticí prostředky nebo rozpouštědla.

Technické údaje


Model	Pro Shredder 24CC	Pro Shredder 16MC
Rozměry (mm)	š: 295 d: 424 v: 645	š: 295 d: 424 v: 645
Bezpečnostní stupeň dle DIN 66399-2	P-4	P-5
Velikost skartovaného materiálu (tloušťka × šířka, mm)	4 × 35	2 × 15
Max. řezný výkon (listy/kreditní karty)	24/1	16/1
Pracovní šířka (mm)	220	220
Napájení	220-240 V~, 50 Hz, 3.0 A, 680 W	220-240 V~, 50 Hz, 3.0 A, 680 W
Max. okolní teplota [°C]	25	25
Kapacita sběrné nádoby (l)	30	30
Hmotnost (kg)	20	18,2
Hlasitost (dB)	55	55
Nepřetržitý provoz (min.) / doba chlazení (min.)	40 / 50	40 / 50
Pracovní rychlost (m/min.)	1.6	1.6
Způsob řezu	Řezání na částice	Mikrořez


Prohlašujeme, že toto zařízení splňuje při zničení dokumentů požadavky na úroveň stupně zabezpečení P-4 a P-5 podle DIN 66399.


P-4: Doporučeno pro datové nosiče s mimořádně citlivými a důvěrnými daty. Plocha částice materiálu $\leq 160 \text{ mm}^2$ a pro pravidelné částice: šířka pásu $\leq 6 \text{ mm}$ (např. částice $4 \times 40 \text{ mm}$).


P-5: Doporučeno pro datové nosiče s tajně ukládanými daty. Plocha částice materiálu $\leq 30 \text{ mm}^2$ a pro pravidelné částice: šířka pásu $\leq 2 \text{ mm}$ (např. částice $2 \times 15 \text{ mm}$).


Likvidace

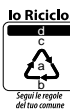
 Vedle uvedený symbol znamená, že staré elektrické a elektronické přístroje musíte podle zákonných ustanovení zlikvidovat mimo domovní odpad. Přístroj nechte zlikvidovat na sběrném místě vašeho likvidátora komunálního odpadu.

 Při třídění odpadu si všimněte označení obalového materiálu. Tyto jsou označeny zkratkami (b) a čísly (a) v následujícím významu: 1–7: plasty / 20–22: papír a lepenka / 80–98: kompozitní materiály.

 Obalové materiály zlikvidujte podle místních předpisů.

 Obal je vyroben z ekologických materiálů, které můžete odevzdat v místním recyklačním centru. Zeptejte se svého místního úřadu na možnosti správné likvidace.

 Zařízení a obalový materiál jsou recyklovatelné, likvidujte je odděleně z důvodu lepšího zpracování odpadu. Logo Triman se vztahuje pouze na Francii.

 Zařízení a obalový materiál jsou recyklovatelné, likvidujte je odděleně z důvodu lepšího zpracování odpadu. Zeptejte se svého místního úřadu na možnosti správné likvidace. Povšimněte si označení obalového materiálu. Tyto jsou označeny (a) čísly, (b) zkratkami a (c) materiály v následujícím významu: 1–7: plasty / 20–22: papír a lepenka / 80–98: kompozitní materiály a (d) druh obalu. Logo je platné pouze pro Itálii.

Pokyny ke skladování

Po použití musíte skartovač bezpečně uložit. Dodržujte následující pokyny:

Skartovač skladujte

- jen v originálním obalu
- na suchém, čistém místě
- jen po ochlazení

Dotazy a služby

Vážený zákazník,

těší nás, že jste se rozhodli pro tento přístroj.

V případě vzniku závady odevzdejte přístroj spolu s pokladničním dokladem a originálním obalem v prodejně, kde jste přístroj zakoupili.

Další informace najdete také v oblasti Kontakt a servis na našem webu www.hp.com/officeequipment.

Prohlášení o shodě

CE Značka CE na přístroji potvrzuje shodu.

Prohlášení o shodě najdete na www.hp.com/officeequipment.

UK Značka UKCA na zařízení potvrzuje shodu.

CA Prohlášení o shodě najdete na www.hp.com/officeequipment.

Výrobce

GO Europe GmbH

Zum Kraftwerk 1

D-45527 Hattingen

Německo

Læs brugervejledningen igennem



Læs brugervejledningen opmærksomt igennem, og overhold oplysningerne heri vedrørende makulatorens håndtering. Opbevar brugervejledningen til senere brug.

Tilsigtet brug

Makulatoren er egnet til findeling af papir, kreditkort, klips og hæfteklammer. Makulatoren er kun egnet til privat brug i lukkede rum.

Al anden brug er ikke tilsigtet. Egenhændige ændringer eller ombygninger er ikke tilladt og medfører, at garantien bortfalder.

Overhold sikkerhedsanvisningerne

Læs og overhold advarslerne for at beskytte dig selv og miljøet.



Advarsel!

Fare for kvæstelser pga. indtrækket. Løse genstande kan blive fanget i indtrækket og forårsage kvæstelser. Hold hænder, hår, halstørklæder, slips, smykker etc. væk fra indtrækket.



Advarsel!

Fare for kvæstelser pga. strømstød. Forkert omgang med makulatoren kan medføre strømstød. Det er ikke tilladt at foretage egenhændige ændringer eller ombygninger på makulatoren. Brug ikke makulatoren med et beskadiget strømkabel. Sluk med det samme for makulatoren ved skader eller hvis den ikke fungerer korrekt, og træk strømkablet ud. Brug udelukkende det medleverede strømkabel.

Lad reparationer kun blive udført af faguddannede personer. Placer makulatoren i nærheden af en let tilgængelig stikdåse, så strømmen i nødstilfælde hurtigt kan slås fra. Tag aldrig om maskinen med våde hænder. Undgå enhver kontakt mellem maskine og vand. Træk altid stikket ud, når maskinen ikke bruges. Brug udelukkende det medleverede strømkabel.



Advarsel!

Fare for kvælning pga. smådele, emballage eller beskyttelsesfilm. Børn kan komme til at sluge smådele, emballage eller beskyttelsesfilm. Hold børn væk fra maskinen og emballagen.

**Advarsel!**

Denne maskine kan bruges af børn fra otte år og over samt af personer med nedsat fysiske, sensoriske eller mentale evner eller mangel på erfaring og/eller viden, hvis de er under opsyn eller er blevet instrueret i maskinens sikre brug samt om farerne ved brugen. Børn må ikke lege med maskinen. Børn må ikke rengøre eller vedligeholde maskinen uden opsyn.

**Forsigtig!**

Der er fare for at snuble, hvis strømkablet er udlagt forkert. Udlæg strømkablet således, at ingen kan snuble over det. Sørg for, at der ikke kan ske skader på stikket eller kablet.

**Vigtigt!**

Tingsskader kan forekomme. Indflydelser fra omgivelsen, som f.eks. røg, støv, rystelser, kemikalier, fugt, varme eller direkte sollys skal undgås.

Brug kun makulatoren i lukkede rum og under de tilladte omgivelsesbetingelser, der er angivet i de tekniske data.

Overhold de følgende anvisninger, så makulatoren altid fungerer som ønsket.



Læs brugervejledningen igennem før brug.



Hold langt hår væk fra makulatoren.



Hold løse dele fra tøj, smykker eller andre løse genstande væk fra makulatoren.



Hold slips og halstørklæder væk fra makulatoren.



Generel henvisning til mulige farer, som kræver opmærksomhed.



Grib aldrig direkte ind i indtrækket.



Hold børn og husdyr væk fra makulatoren.



Sprøjt aldrig brandfarligt gas hen mod makulatoren. Brug aldrig trykluft-sprays.



Overhold det maksimale antal ark (se Tekniske data).

**Forsigtig!**

Fare for kvæstelser på det skarpe skæreværk!



Advarsel!

Denne maskine må ikke bruges af børn. Undgå at hænder, tøj eller hår kommer i berøring med indtræksåbningen.

Træk stikket ud, hvis du ikke bruger maskinen i længere tid. Der er farlige bevægelige dele i denne maskine. Hold kropsdele væk fra bevægelige dele.

Brug kun produktet indendørs.



Før kun kreditkort vertikalt ind i indtrækket.



Mærket «Geprüfte Sicherheit» (kontrolleret sikkerhed) eller GS-mærket sikrer, at produktet opfylder kravene i den tyske produktsikkerhedslov (ProdSG).

GS-mærket angiver, at produktet ikke er til fare for brugerens sundhed og sikkerhed, hvis det anvendes i overensstemmelse med formålet eller ved forkert brug, der kan forudses. Det er et frivilligt sikkerhedsmærke, som udstedes af en egnet kontrolinstans.

Kontrol af emballagens indhold

Kontrollér indholdet af makulatorens emballage, før makulatoren tages i brug.

Mangler der noget, eller er noget blevet beskadiget, må makulatoren ikke bruges. Henvend dig til vores service.

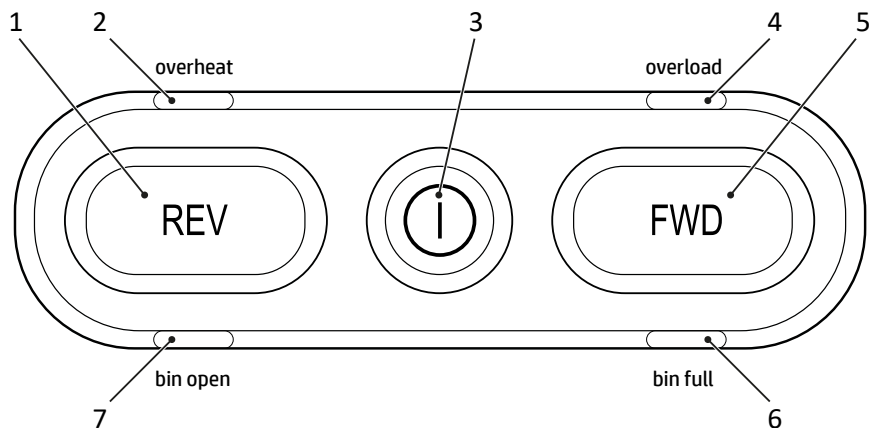
- 1 makulator Pro Shredder 24CC eller Pro Shredder 16MC med opsamlingsbeholder til affald
- 1 brugervejledning
- 1 strømkabel
- 1 olieark

Oversigt over din makulator

Det følgende billede viser en oversigt over din makulator.



1	Betjeningskaster/statusmelding	5	Greb
2	Indtræk	6	Rude/greb
3	Skæreværk	7	Opsamlingsbeholder
4	Statusmelding foran	8	Hjul



1	Tast til baglæns kørsel	5	Tast til fremadkørsel
2	Statuslampe overophedning	6	Statuslampe opsamlingsbeholder fuld
3	Hovedafbryder til/fra	7	Statuslampe opsamlingsbeholder åben
4	Statuslampe overbelastning		

Stil makulatoren op, og tag den i brug

Din makulator fungerer kun sammen med opsamlingsbeholderen. Stil ikke makulatoren i nærheden af varme kilder, og hold en afstand på mindst 10 cm til væggen. På den måde bliver makulatorens kølet nok af.

- 1 Placer makulatoren stabilt på en plan, vandret overflade og i nærheden af en let tilgængelig stikdåse.
- 2 Skub opsamlingsbeholderen ind i maskinen. Opsamlingsbeholderen går tydeligt i hak. Sidder opsamlingsbeholderen ikke korrekt i maskinen, kan makulatoren ikke tændes.
- i** Brug udelukkende det medleverede strømkabel.
- 3 Tilslut stikket til maskinen.
- 4 Sæt stikket i kontakten.
- 5 Tænd for maskinen, idet hovedafbryderen **til/fra** trykkes ind.
 - ➔ Statusmeldingen lyser BLÅT.
 - ➔ Makulatoren er sat i drift.

Betjening af makulatoren

Makulatoren finder materialet automatisk. Makulatoren betjenes med tasterne oven på maskinen.

 Makulatoren har en ekstra statusmelding foran. Denne statusmelding viser det, som tasterne og lamperne oven på maskinen viser.

Automatisk findeling af materiale

Vær opmærksom på den maksimalt tilladte skæreydelse samt andre oplysninger i de **tekniske data**.



Advarsel!

Denne maskine må ikke bruges af børn. Undgå at hænder, tøj eller hår kommer i berøring med indtræksåbningen.

Træk stikket ud, hvis du ikke bruger maskinen i længere tid. Der er farlige bevægelige dele i denne maskine. Hold kropsdele væk fra bevægelige dele.

Vigtigt!

Tingsskader pga. materialekøl! Vær opmærksom på indtrækkets maksimale skæreydelse.

- 1 Indfør materialet, der skal findeles, midt i indtrækket.
 - ➔ Indtrækket trækker materialet ind og stopper, når der ikke tilføres yderligere materiale.

Manuel findeling af materiale

I nogle tilfælde registrerer sensorerne ikke det indførte materiale.

- 1 Tryk og hold tasten **FWD** inde.
 - ➔ Materialet trækkes manuelt ind og findeles.
- 2 Slip tasten **FWD**.

Sluk for makulatoren

Sluk for makulatoren, når den ikke længere skal bruges.

- 1 Sluk for maskinen, idet hovedafbryderen **til/fra** trykkes ind.
 - ➔ Makulatoren er slukket.
- 2 Træk stikket ud af stikdåsen, hvis makulatoren ikke skal bruges over en længere tid.

Dvaletilstand

Makulatorens går i dvaletilstand, når du ikke bruger den i 30 minutter. Statusmeldingen foran på makulatorens slukker. Statusmeldingen oven på makulatorens dæmpes.

Du kan deaktivere dvaletilstanden på følgende måde:

1 Indfør materialet, der skal findeles, midt i indtrækket.

→ Makulatorens er derefter igen klar til brug.

i Du kan også trykke på tasten **FWD** eller tasten **REV** på makulatorens for at deaktivere dvaletilstanden.

Hvis noget ikke fungerer

De følgende henvisninger hjælper, hvis noget ikke fungerer som forventet.

Beskyttelse mod for høj varmedannelse

Makulatorens slås automatisk fra, hvis den bliver for varm. Statusmeldingen lyser RØDT.

Vent den tid, der er angivet i de **tekniske data**, indtil makulatorens er afkølet.

→ Statusmeldingen lyser BLÅT efter afkølingen.

→ Findelingen fortsættes.

i Overhold minimumsafstanden til væggen samt oplysningerne om kontinuerlig brug i de **tekniske data**.

Beskyttelse mod overbelastning

Har du tilført mere materiale end angivet i de **tekniske data**, blinker statusmeldingen RØDT, og makulatorens kører automatisk baglæns i 5 sekunder.

1 Træk materialet ud af makulatorens.

→ Blokering er fjernet.

i Når der er fjernet materiale fra makulatorens, drejer skæreværket videre i 3 sekunder for at rense sig. Vent, indtil makulatorens igen er standset og statusmeldingen lyser BLÅT.

Smøring af skæreværk

Smør makulatorens skæreværk med jævne mellemrum for at forlænge makulatorens brugstid.

Der fås specialolie og olieark til makulatorer fra HP.

Vigtigt!

Tingsskader hvis der bruges en forkert type olie! Brug ingen sprayolier. Brug kun specialolie til makulatorer.

Du kan smøre skæreværket på forskellige måder.

Smøring med papir, der er påført olie:

- 1 Påfør specialolien til makulatorer i flere tværgående linjer på et ark papir.
- 2 Indfør det oliesmurte papir i indtrækket.
 - ➔ Papiret trækkes ind og smører skæreværket.

Smøring med olieark:

- 1 Indfør oliearket i indtrækket.
 - ➔ Papiret trækkes ind og smører skæreværket.

Tømning af opsamlingsbeholder

Opsamlingsbeholderens niveau overvåges af en sensor.

 Når niveauet er højt, blinker statuslampen "Opsamlingsbeholder fuld" RØDT. Makulatorens skæreværk stopper, og opsamlingsbeholderen skal tømmes.

1 Sluk for maskinen, idet hovedafbryderen **til/fra** trykkes ind.

2 Træk opsamlingsbeholderen ud af maskinen.

 Hvis du ikke har slukket for maskinen, lyser statuslampen "Opsamlingsbeholder åben" RØDT.

3 Tøm opsamlingsbeholderen.

4 Skub opsamlingsbeholderen ind i maskinen.

➔ Opsamlingsbeholderen går tydeligt i hak.

➔ Du har tømt opsamlingsbeholderen.

Fjernelse af materialerester

Findeler makulatorene ikke længere som ønsket, skal fastsiddende materialerester fjernes fra skæreværket.

- 1 Tryk og hold tasten **REV** inde. Skæreværket kører baglæns og fjerner materialet fra skæreværket.
- 2 Slip tasten **REV**.
- 3 Sluk for maskinen, idet hovedafbryderen **til/fra** trykkes ind.
- 4 Træk stikket ud af stikdåsen.



Forsigtig!

Fare for kvæstelser på det skarpe skæreværk! Arbejd meget forsigtigt, når materialerester skal fjernes.

- 5 Fjern materialerester med en egnet spids genstand fra skæreværket.
→ Du har fjernet materialeresterne fra skæreværket.

Rengøring af makulator

Rengør makulatorene med jævne mellemrum.



Forsigtig!

Fare for kvæstelser pga. stikflamme! Der kan opstå stikflammer, hvis der bruges en trykluftspray. Brug aldrig trykluftsprays.

- 1 Sluk for maskinen, idet hovedafbryderen **til/fra** trykkes ind.
- 2 Træk stikket ud af stikdåsen.
- 3 Rengør husets overflader med en blød, tør og fnugfri klud. Brug ingen trykluftsprays, rengørings- eller opløsningsmidler.

Tekniske data

Model	Pro Shredder 24CC	Pro Shredder 16MC
Mål (mm)	B: 295 L: 424 H: 645	B: 295 L: 424 H: 645
Sikkerhedsklassificering iht. DIN 66399-2	P-4	P-5
Størrelse affald (tykkelse × bredde, mm)	4 × 35	2 × 15
Maks. skæreydelse (ark/kreditkort)	24/1	16/1
Arbejdsbredde (mm)	220	220
Strømforsyning	220-240 V~, 50 Hz, 3.0 A, 680 W	220-240 V~, 50 Hz, 3.0 A, 680 W
Maks. omgivelsestemperatur [°C]	25	25
Rumfang opsamlingsbeholder (l)	30	30
Vægt (kg)	20	18,2
Lydstyrke (dB)	55	55
Kontinuerlig drift (min)/afkøling (min)	40 / 50	40 / 50
Arbejdshastighed (m/min)	1.6	1.6
Skæretype	Partikelsnit	Mikrosnit

Vi erklærer, at disse maskiner opfylder kravene til sikkerhedsniveau P-4 og P-5 iht. DIN 66399 ved makulering af dokumenter.

P-4: Anbefales til datamedier med meget følsomme og fortrolige oplysninger. Partikelstørrelse $\leq 160 \text{ mm}^2$ og til regelmæssige partikler: Strimmelbredde $\leq 6 \text{ mm}$ (f.eks. partikelstørrelse $4 \times 40 \text{ mm}$).

P-5: Anbefales til datamedier med hemmelige oplysninger. Partikelstørrelse $\leq 30 \text{ mm}^2$ og til regelmæssige partikler: Strimmelbredde $\leq 2 \text{ mm}$ (f.eks. partikelstørrelse $2 \times 15 \text{ mm}$).

Bortskaffelse



Dette symbol betyder, at affald af elektrisk og elektronisk udstyr ikke må bortskaffes sammen med husholdningsaffaldet ifølge lovgivningen. Udstyret skal afleveres til det kommunale renovationsselskab.



Vær opmærksom på emballagens mærkning ved sortering af affald. Materialet er angivet med en forkortelse (b) og et nummer (a) med følgende betydning: 1-7: Plast / 20-22: Papir og pap / 80-98: Kompositmateriale.



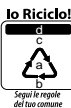
Bortskaf emballagen i overensstemmelse med lokale forskrifter.



Emballagen består af miljøvenlige materialer, som kan bortskaffes via de lokale genbrugsstationer. Du kan få oplysning om muligheder for bortskaffelse på dit kommunekontor.



Udstyret og emballagen kan genbruges og skal bortskaffes særskilt med henblik på en bedre affaldsbehandling. Triman-logoet gælder kun i Frankrig.



Udstyret og emballagen kan genbruges og skal bortskaffes særskilt med henblik på en bedre affaldsbehandling. Du kan få oplysning om muligheder for bortskaffelse på dit kommunekontor. Vær opmærksom på følgende mærkning på emballagen: (a) Nummer, (b) forkortelse og (c) materiale med følgende betydning: 1-7: Plast / 20-22: Papir og pap / 80-98: Kompositmateriale samt (d) emballagetype. Logoet gælder kun i Italien.

Henvisninger til opbevaring

Makulatoren skal opbevares korrekt efter brug. Overhold følgende anvisninger:

Opbevar makulatoren

- kun i den originale emballage
- på et tørt, rent sted
- kun i afkølet tilstand

Spørgsmål og service

Vi glæder os over, at du har besluttet dig for at købe denne maskine.

Ved en defekt bedes du aflevere maskinen sammen med købsnotaen og den originale emballage i den forretning, hvor du har købt maskinen.

Læs mere under Kontakt & Service på vores hjemmeside www.hp.com/officeequipment.

Overensstemmelseserklæring

CE CE-mærket på apparatet bekræfter overensstemmelsen.

Overensstemmelseserklæringen findes under www.hp.com/officeequipment.

UK UKCA-mærket på produktet bekræfter overensstemmelsen.

CA Overensstemmelseserklæringen findes på www.hp.com/officeequipment.

Producent

GO Europe GmbH
Zum Kraftwerk 1
D-45527 Hattingen
Tyskland

Leer el manual de instrucciones



Lea el manual de instrucciones atentamente y tenga en cuenta las advertencias relativas al manejo de la destructora de documentos. Guarde el manual de instrucciones para cualquier utilización posterior.

Uso previsto

La destructora de documentos ha sido concebida para triturar papel, tarjetas de crédito, clips y grapas. La destructora de documentos ha sido concebida exclusivamente para el uso particular en habitaciones cerradas.

Cualquier otro uso será considerado no previsto. Se prohíbe expresamente cualquier modificación o transformación; estas implican la pérdida de la garantía.

Tener en cuenta las advertencias de seguridad

Lea y tenga en cuenta las advertencias de aviso para protegerse a sí mismo y al medio ambiente.



¡Aviso!

Peligro de lesiones provocado por el mecanismo de arrastre. Los objetos sueltos se pueden quedar enganchados en la entrada y provocar lesiones. Evite, en todo caso, que los dedos, el pelo, las bufandas, las corbatas, la bisutería, etc. se acerquen a la entrada.



¡Aviso!

Existe peligro de sufrir lesiones provocadas por descargas eléctricas. El manejo erróneo de la destructora de documentos puede provocar descargas eléctricas. Se prohíbe expresamente cualquier modificación o transformación de la destructora de documentos por cuenta propia. No utilice la destructora de documentos si el cable de red presenta daños. Apague la destructora de documentos y saque la clavija de alimentación en caso de observar cualquier daño o funcionamiento incorrecto.

Utilice exclusivamente el cable de red suministrado. Encomiende las reparaciones exclusivamente a personal especializado cualificado. Emplace la destructora de documentos cerca de una toma de corriente fácilmente accesible para que se pueda separar la destructora de documentos rápidamente de la red de corriente, en caso de emergencia. Jamás se debe tocar con las manos húmedas. Evitar cualquier contacto con agua.

Saque siempre la clavija de alimentación cuando no se vaya a utilizar el aparato. Utilice exclusivamente el cable de red suministrado.



¡Aviso!

Peligro de asfixia provocado por piezas pequeñas, materiales de embalaje o películas de protección. Los niños pueden ingerir piezas pequeñas, materiales de embalaje o películas de protección. Mantener a los niños alejados del aparato y de su embalaje.

**¡Aviso!**

Los niños a partir de ocho años y las personas con capacidades físicas, sensoriales o psíquicas limitadas o sin la experiencia y/o el conocimiento suficiente, podrán utilizar este aparato únicamente bajo supervisión, o en caso de haber recibido instrucciones acerca del uso seguro del aparato y de haber comprendido los peligros resultantes. Los niños no deben jugar con el dispositivo. Los niños no deben llevar a cabo ni la limpieza ni el mantenimiento del aparato, a no ser que lo hagan bajo supervisión.

**¡Precaución!**

Existe peligro de tropezarse si el cable de red no está instalado correctamente. Instale el cable de red de tal modo que nadie pueda tropezar. Preste atención a que no se produzcan daños ni en la clavija de alimentación ni en el cable de red.

**¡Importante!**

Se pueden producir daños materiales. Evitar las influencias ambientales como, por ejemplo, humo, polvo, vibraciones, sustancias químicas, humedad, calor o radiación solar directa.

También encontrará información adicional en el área de contacto y servicio técnico de nuestra página web www.hp.com/officeequipment.

Tenga en cuenta las siguientes advertencias para que su destructora de documentos funcione siempre cumpliendo sus expectativas.



Lea detenidamente el manual de instrucciones antes de la puesta en servicio.



Mantenga alejado el pelo largo de la destructora de documentos.



Mantenga alejadas de la destructora de documentos las partes sueltas de la ropa, bisutería u otros objetos sueltos.



Mantenga alejadas las corbatas y bufandas de la destructora de documentos.



Advertencia general sobre posibles peligros que requieren su atención especial.



No introduzca las manos directamente en la entrada de papel.



Mantenga alejados los niños y las animales domésticos de la destructora de documentos.



No proyecte gases inflamables en sentido a la destructora de documentos. Jamás utilice aerosoles de aire a presión.



Tenga en cuenta la máxima cantidad admisible de hojas (ver "Datos técnicos").

**¡Precaución!**

¡Peligro de lesiones provocado por el cabezal destructor afilado!

**¡Aviso!**

Este dispositivo no está previsto para ser usado por niños. Evite cualquier contacto con la apertura de entrada con las manos, la ropa o el pelo. Desconecte el cable de alimentación cuando no vaya a utilizar el aparato durante un período prolongado. Este aparato contiene piezas móviles peligrosas. Mantenga las partes del cuerpo alejadas de las piezas móviles.



Utilice el producto solo en habitaciones interiores.



Introduzca las tarjetas de crédito solo en sentido vertical.



El sello „Seguridad probada“ (marca GS) certifica que el producto cumple con los requisitos de la Ley alemana de seguridad de productos (ProdSG).

La marca GS indica que la seguridad y la salud del usuario no están en peligro si el producto etiquetado se utiliza según lo previsto o si se produce una aplicación errónea previsible. Se trata de una marca de seguridad voluntaria emitida por un instituto de pruebas adecuado.

Comprobar el contenido del embalaje

Compruebe el contenido del embalaje de su destructora de documentos antes de ponerla en servicio.

Si falta algo o si detecta algún daño, no debe poner la destructora de documentos en servicio bajo ninguna circunstancia. Póngase en contacto con nuestro Servicio Técnico.

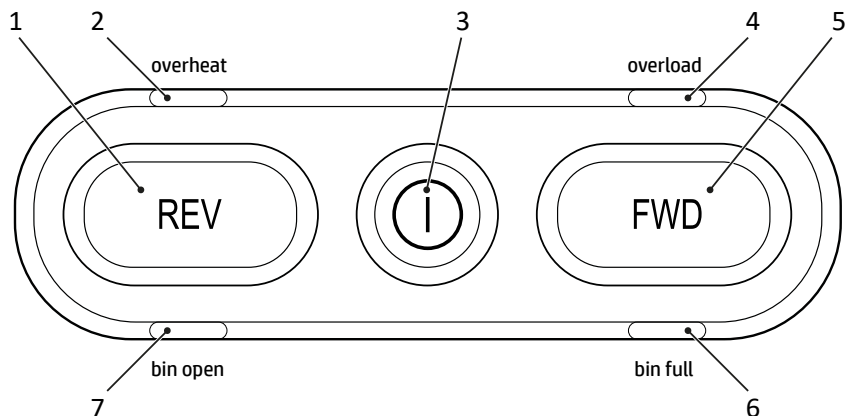
- 1 destructora de documentos Pro Shredder 24CC o Pro Shredder 16MC con depósito de recogida para material cortado
- 1 manual de instrucciones
- 1 cable de red
- 1 hoja de papel aceitado

La destructora de documentos en detalle

La siguiente figura muestra la destructora de documentos en detalle.



1	Botones de control e indicación de estado	5	Asa
2	Entrada	6	Ventana de control visual y asa
3	Cabezal destructor	7	Depósito de recogida
4	Indicación de estado delantera	8	Ruedas



1	Tecla de retroceso	5	Tecla de avance
2	LED de estado de sobrecalentamiento	6	LED de estado de depósito de recogida lleno
3	Interruptor principal Encendido/apagado	7	LED de estado de depósito de recogida abierto
4	LED de estado de sobrecarga		

Instalar y poner en servicio la destructora de documentos

La destructora de documentos solo funciona con el depósito de recogida. No coloque la destructora de documentos cerca de fuentes de calor y mantenga una distancia de al menos 10 cm hasta la pared. Así se consigue que la destructora de documentos esté suficientemente refrigerada.

- 1 Coloque la destructora de documentos de forma segura sobre una superficie horizontal plana y cerca de una toma de corriente fácilmente accesible.
- 2 Inserte el depósito de recogida en el aparato. El depósito de recogida encaja de forma audible. Si el depósito de recogida no se encuentra colocado correctamente en el aparato, no es posible encender la destructora de documentos.

i Utilice exclusivamente el cable de red suministrado.

- 3 Conecte el cable de red al aparato.
- 4 Conecte la clavija de alimentación a la toma de corriente.
- 5 Encienda el aparato pulsando el interruptor principal **Encendido/apagado**.
 - ➔ La indicación de estado se ilumina en AZUL.
 - ➔ La destructora de documentos se ha puesto correctamente en servicio.

Manejo de la destructora de documentos

La destructora de documentos trabaja con destrucción automática. La destructora de documentos se maneja con los botones de control situados en el lado superior del aparato.

- **i** La destructora de documentos está equipada en su lado frontal con una indicación de estado adicional. Esta indicación de estado visualiza las indicaciones de las teclas y de los LED que se encuentran en el lado superior.

Destruir material automáticamente

Tenga en cuenta la máxima capacidad de corte admisible y las demás especificaciones que figuran en los **datos técnicos**.



¡Aviso!

Este dispositivo no está previsto para ser usado por niños. Evite cualquier contacto con la apertura de entrada con las manos, la ropa o el pelo. Desconecte el cable de alimentación cuando no vaya a utilizar el aparato durante un período prolongado. Este aparato contiene piezas móviles peligrosas. Mantenga las partes del cuerpo alejadas de las piezas móviles.

¡Importante!

¡Los atascos de material pueden provocar daños materiales! Tenga en cuenta la máxima capacidad de corte de la entrada de material.

- 1 Introduzca el material a destruir por el medio de la entrada de papel.
 - ➔ La entrada recoge el material y se detiene cuando se deja de introducir material.

Destruir material manualmente

En muy pocos casos puede ocurrir que los sensores no detecten el material introducido.

- 1 Pulse y mantenga pulsada la tecla **FWD**.
 - ➔ El material es arrastrado y triturado manualmente.
- 2 Suelte la tecla **FWD**.

Apagar la destructora de documentos

Apague la destructora de documentos cuando no la necesite.

- 1 Apague el aparato pulsando el interruptor principal **Encendido/apagado**.
 - ➔ Usted ha apagado la destructora de documentos correctamente.
- 2 Desconecte el cable de alimentación de la toma de corriente cuando no vaya a utilizar la destructora de documentos durante un período prolongado.

Modo de reposo

Si no utiliza la destructora de documentos durante 30 minutos, esta pasa al modo de reposo. La indicación de estado en el lado frontal de la destructora de documentos se apaga. La indicación de estado en el lado superior de la destructora de documentos se va atenuando.

Realice el siguiente paso para desactivar el modo de reposo:

1 Introduzca el material a destruir por el medio de la entrada de papel.

→ La destructora de documentos vuelve a estar en disposición de servicio.

i Como alternativa, pulse la tecla **FWD** o la tecla **REV** de la destructora de documentos para desactivar el modo de reposo.

Si hay algo que no funciona

Las siguientes advertencias le ayudan cuando algo no funciona como es debido.

Protección contra sobrecalentamientos

La destructora de documentos se apaga automáticamente en caso de sobrecalentamiento. La indicación de estado se ilumina en rojo.

Espera el tiempo indicado en los **datos técnicos** hasta que la destructora de documentos se haya enfriado.

→ Después de la fase de enfriamiento, la indicación de estado se ilumina en AZUL.

→ La destrucción continua.

i Tenga en cuenta la distancia mínima a la pared y las indicaciones sobre servicio permanente que figuran en los **datos técnicos**.

Protección contra sobrecarga

En caso de introducir más material de lo que figura en los **datos técnicos**, la indicación de estado parpadea en rojo y la destructora de documentos inicia durante 5 segundos el retroceso automático.

1 Saque el material de la destructora de documentos.

→ El bloqueo se ha eliminado.

i Una vez retirado el material de la destructora de documentos, el cabezal destructor se sigue moviendo durante 3 segundos para limpiarse. Espere hasta que la destructora de documentos vuelva a quedarse parada y la indicación de estado se ilumine en AZUL.

Lubricación del cabezal destructor

Debe aceitar el cabezal destructor de la destructora de documentos periódicamente para alargar la vida útil de la destructora de documentos.

HP ofrece aceite especial y hojas aceitadas para destructoras de documentos.

¡Importante!

¡El uso de aceites incorrectos puede originar daños materiales! No utilizar aceites para rociar. Utilizar exclusivamente aceite especial para destructoras de documentos.

Existen varias posibilidades para aceitar el cabezal destructor.

Aceitar con papel aceitado por el cliente:

- 1 Aplique aceite especial sobre una hoja de papel en varias líneas transversales.
- 2 Introduzca la hoja de papel aceitada en la entrada de papel.
 - ➔ El papel humectado con aceite es arrastrado y se encarga de aceitar el cabezal destructor.

Aceitar con hojas aceitadas

- 1 Introduzca la hoja de papel aceitado en la entrada.
 - ➔ El papel humectado con aceite es arrastrado y se encarga de aceitar el cabezal destructor.

Vaciado del depósito de recogida

Un sensor se encarga de vigilar el nivel de llenado del depósito de recogida.

i Si el nivel de llenado está alto, el LED de estado "Depósito de recogida lleno" parpadea en ROJO. El cabezal destructor de la destructora de documentos se detiene y se debe vaciar el depósito de recogida.

- 1 Apague el aparato pulsando el interruptor principal **Encendido/apagado**.
- 2 Saque el depósito de recogida del aparato.
 - i** Si no se ha apagado el aparato, se ilumina el LED de estado "Depósito de recogida abierto" en ROJO.
- 3 Vacíe el depósito de recogida.
- 4 Inserte el depósito de recogida en el aparato.
 - ➔ El depósito de recogida encaja de forma audible.
 - ➔ El depósito de recogida se ha vaciado correctamente.

Eliminar restos de material

Si la destructora de documentos no destruye el material correctamente, debe retirar los posibles restos de material del cabezal destructor.

- 1 Pulse y mantenga pulsada la tecla **REV**. El cabezal destructor marcha hacia atrás soltando el material que se haya quedado en el cabezal destructor.
- 2 Suelte la tecla **REV**.
- 3 Apague el aparato pulsando el interruptor principal **Encendido/apagado**.
- 4 Desenchufe el cable de alimentación de la toma de corriente.



¡Precaución!

¡Peligro de lesiones provocado por el cabezal destructor afilado! Proceda con especial precaución al retirar los restos de material.

- 5 Retire los restos de material con un objeto adecuado con punta con cuidado del cabezal destructor.
→ Los restos de material se han retirado correctamente del cabezal destructor.

Limpiar la destructora de documentos

Limpie la destructora de documentos periódicamente.



¡Precaución!

¡Peligro de lesiones provocado por llamaradas! La utilización de aerosol de aire a presión puede originar llamaradas. Jamás utilice aerosoles de aire a presión.

- 1 Apague el aparato pulsando el interruptor principal **Encendido/apagado**.
- 2 Desenchufe el cable de alimentación de la toma de corriente.
- 3 Limpie la superficie de la carcasa con un paño suave y libre de hilachas que esté seco. No utilice aerosoles de aire a presión, detergentes no disolventes.

Datos técnicos


Modelo	Pro Shredder 24CC	Pro Shredder 16MC
Dimensiones (mm)	B: 295 L: 424 H: 645	B: 295 L: 424 H: 645
Nivel de seguridad según norma DIN 66399-2	P-4	P-5
Tamaño del material cortado (espesor × anchura, mm)	4 × 35	2 × 15
Capacidad máxima de corte (hojas/tarjeta de crédito)	24/1	16/1
Anchura de trabajo (mm)	220	220
Alimentación eléctrica ^a	220-240 V~, 50 Hz, 3.0 A, 680 W	220-240 V~, 50 Hz, 3.0 A, 680 W
Máxima temperatura ambiente [°C]	25	25
Capacidad del depósito de recogida (l)	30	30
Peso (kg)	20	18,2
Volumen (dB)	55	55
Servicio permanente (min) / periodo de enfriamiento (min)	40 / 50	40 / 50
Velocidad de trabajo (m/min)	1.6	1.6
Tipo de corte	Corte en partículas	Microcorte


Prohlašujeme, že toto zařízení splňuje při zničení dokumentů požadavky na úroveň stupně zabezpečení P-4 a P-5 podle DIN 66399.


P-4: Recomendado para soportes de datos con datos especialmente sensibles y confidenciales. Área de partículas de material $\leq 160 \text{ mm}^2$ y para partículas regulares: ancho de tira $\leq 6 \text{ mm}$ (p. ej. partículas de $4 \times 40 \text{ mm}$).


P-5: Recomendado para soportes con datos que deben mantenerse en secreto. Área de partículas de material $\leq 30 \text{ mm}^2$ y para partículas regulares: ancho de tira $\leq 2 \text{ mm}$ (p. ej. partículas de $2 \times 15 \text{ mm}$).

Eliminación


 El símbolo adjunto significa que, debido a las disposiciones legales, los aparatos eléctricos y electrónicos usados deben eliminarse separándolos de la basura doméstica. Elimine el aparato a través del punto de recogida de su organismo de eliminación competente.

 En el etiquetado del material de embalaje, observe la clasificación de los residuos identificados con abreviaturas (a) y números (b) con el significado siguiente: 1–7: plástico / 20–22: papel y cartón / 80–98: materiales compuestos.

 Deseche los materiales de embalaje conforme a las prescripciones locales.

 El embalaje está hecho con materiales ecológicos que se pueden eliminar en los centros de reciclaje locales. Infórmese en su municipio sobre las posibilidades de la correcta eliminación.

 El dispositivo y el material de embalaje son reciclables, deséchelos por separado para un mejor tratamiento de residuos. El logotipo Triman solo es aplicable para Francia.

 El dispositivo y el material de embalaje son reciclables, deséchelos por separado para un mejor tratamiento de residuos. Infórmese en su municipio sobre las posibilidades de la correcta eliminación. Tenga en cuenta la siguiente identificación del material de embalaje: (a) números, (b) abreviaturas y (c) material con el siguiente significado: 1–7: plástico / 20–22: papel y cartón / 80–98: materiales compuestos, así como (d) tipo del embalaje. El logotipo solo es aplicable a Italia.

Advertencias sobre el almacenamiento

Después de su uso, debe guardarse la destructora de documentos en un sitio seguro. Tenga en cuenta las siguientes advertencias:

Almacene la destructora de documentos:

- Solo en su embalaje original
- En un lugar seco y limpio
- Solo en estado enfriado

Preguntas y Servicio Técnico

Estimado cliente:

Nos alegramos de que usted se haya decidido por este aparato.

En caso de un defecto devuelva el aparato junto con el justificante de compra y el embalaje original al lugar donde lo ha adquirido.

También encontrará información adicional en el área de contacto y servicio técnico de nuestra página web www.hp.com/officeequipment.

Declaración de conformidad

CE El marcado CE en el aparato confirma la conformidad.

Encontrará la declaración de conformidad en www.hp.com/officeequipment.

**UK
CA** El marcado UKCA (Conformidad Evaluada del Reino Unido, por sus siglas en inglés) en el dispositivo confirma la conformidad.

Encontrará la declaración de conformidad en www.hp.com/officeequipment.

Fabricante

GO Europe GmbH
Zum Kraftwerk 1
D-45527 Hattingen
Alemania

Lue käyttöohje



Lue käyttöohje huolellisesti ja noudata asiakirjasilppurin käsittelyä koskevia ohjeita. Säilytä käyttöohjetta huolellisesti myöhempiä tarvetta varten.

Määräystenmukainen käyttö

Asiakirjasilppuri sopii paperiarkkien, luottokorttien, paperiliittimien ja nitomahakasten pilkkomiseen. Asiakirjasilppuri soveltuu vain yksityiskäyttöön suljetuissa tiloissa.

Kaikki muu käyttö on määräystenvastaista käyttöä. Omavaltaiset muutokset tai lisäasennukset eivät ole sallittuja ja johtavat takuun raukeamiseen.

Huomioi turvallisuusohjeet

Lue varoitusohjeet ja noudata niitä ympäristön suojelemiseksi.



Varoitus!

Vammautumisvaara sisäänvetomekanismin vuoksi. Irralliset esineet voivat joutua syöttöaukkoon ja tästä voi aiheutua vammoja. Pidä sormet, hiukset, kaulahuivit, solmiot, korut jne. loitolla.



Varoitus!

Vammautumisvaara sähköiskun vuoksi. Asiakirjasilppurin virheellinen käsittely voi aiheuttaa sähköiskun. Omavaltaiset muutokset tai lisäasennukset asiakirjasilppuriin eivät ole sallittuja. Älä käytä asiakirjasilppuria, jos sen virtajohto on vioittunut. Kytke asiakirjasilppuri heti pois päältä ja irrota virtapistoke pistorasiasta, jos asiakirjasilppuri on vahingoittunut tai se ei toimi asianmukaisesti. Käytä ainoastaan toimitukseen sisältyvää virtajohtoa.

Teetä korjaukset vain pätevällä ammattihenkilöllä. Aseta asiakirjasilppuri helposti käsiteltävän pistorasian lähelle, jotta asiakirjasilppuri voidaan hätätilanteessa irrottaa nopeasti sähköverkosta. Älä koskaan tartu märin käsin. Vältä kosketusta veteen.

Irrota virtapistoke aina, kun laitetta ei käytetä. Käytä vain laitteen mukana toimitettua virtajohtoa.



Varoitus!

Pienosien, pakkausmateriaalien tai suojakelmujen aiheuttama tukehtumisvaara. Lapset voivat niellä pienosia, pakkausmateriaaleja tai suojakelmuja. Pidä lapset loitolla laitteesta ja sen pakkauksesta.



Varoitus!

Tätä laitetta voivat käyttää yli kahdeksanvuotiaat lapset ja sellaiset henkilöt, joiden fyysinen, sensorinen tai henkinen toimintakyky on alentunut tai joilla on puutteellinen kokemus ja/tai puutteelliset tiedot, jos heitä valvotaan tai heitä ohjeistetaan laitteen turvalliseen käyttöön ja he ymmärtävät käyttöön liittyvät mahdolliset vaarat. Lapset eivät saa leikkiä laitteella. Lapset eivät saa suorittaa puhdistus- ja huoltotoimia ilman valvontaa.



Huomio!

Virheellisesti asetetun virtajohdon aiheuttama kompastumisvaara. Aseta virtajohto niin, ettei kukaan voi kompastua siihen. Varmista, etteivät virtapistoke ja virtajohto voi vahingoittua.



Tärkeää!

Aineelliset vahingot mahdollisia. Vältä ympäristövaikutuksia, kuten esim. savua, pölyä, tärinää, kemikaaleja, kosteutta, kuumuutta tai suoraa auringonvaloa.

Käytä asiakirjasilppuria vain suljetuissa tiloissa ja teknisissä tiedoissa mainituissa sallituissa ympäristöolosuhteissa.

Huomioi seuraavat ohjeet, että asiakirjasilppuri toimii aina odotetulla tavalla.



Lue käyttöohje ennen käyttöönottoa.



Pidä pitkät hiukset loitolla asiakirjasilppurista.



Pidä vaatteiden irto-osat, korut ja muut irralliset esineet loitolla asiakirjasilppurista.



Pidä solmiot ja kaulahuivit loitolla asiakirjasilppurista.



Yleinen huomautus mahdollisista vaaroista, jotka on huomioitava erityisesti.



Älä koskaan laita käsiäsi suoraan syöttöaukkoon.



Pidä lapset ja lemmikkieläimet loitolla asiakirjasilppurista.



Älä suihkuta palavaa kaasua asiakirjasilppurin suuntaan. Älä koskaan käytä paineilmasuihkeita.



Huomioi paperiarkkien suurin sallittu määrä (katso Tekniset tiedot).



Huomio!

Teräväreunaisen leikkurin aiheuttama vammautumiskaava.



Varoitus!

Laitetta ei ole tarkoitettu lasten käyttöön. Vältä käsien, vaatteiden tai hiusten koskemista syöttöaukkoon. Irrota virtapistoke, jos laite on pitempään käyttämättä. Laitteessa on vaarallisia liikkuvia osia; pidä kehonosat loitolla liikkuvista osista.

Käytä tuotetta vain sisätiloissa.



Ohjaa luottokortit sisään vain pystyasennossa.

GS-merkki («Geprüfte Sicherheit») tarkoittaa, että tuote vastaa Saksan tuoteturvallisuuslain (ProdSG) vaatimuksia.



GS-merkki ilmaisee, että käyttäjän turvallisuus ja terveys ei vaarannu, kun laitetta käytetään sen käyttötarkoituksen mukaisesti, eikä myöskään ennakoitavissa olevan väärinkäytön yhteydessä. Kyseessä on vapaaehtoinen turvallisuusmerkki, jonka myöntää soveltuva tarkastuslaitos.

Pakkauksen sisällön tarkastaminen

Tarkasta asiakirjasilppurin pakkauksen sisältö ennen kuin otat asiakirjasilppurin käyttöön.

Jos jotain puuttuu tai on vahingoittunut, ei asiakirjasilppuria missään tapauksessa saa ottaa käyttöön. Ota yhteyttä asiakaspalveluumme.

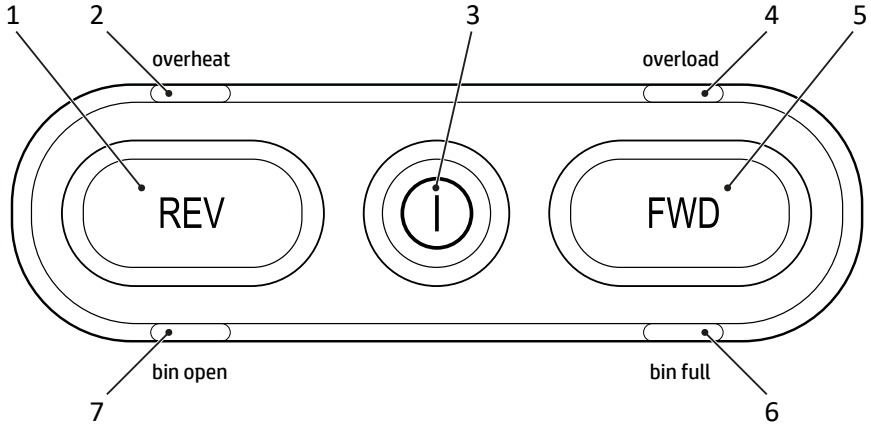
- 1 asiakirjasilppuri Pro Shredder 24CC tai Pro Shredder 16MC jossa suikaleiden keräyssäiliö
- 1 käyttöohje
- 1 virtajohto
- 1 arkki öljypaperia

Asiakirjasilppuri yksityiskohtaisesti

Seuraavassa kuvassa asiakirjasilppuri esitetään yksityiskohtaisesti.



1	Hallintapainikkeet / tilinäyttö	5	Kahva
2	Syöttöaukko	6	Tarkistusikkuna / kahva
3	Leikkuri	7	Keräyssäiliö
4	Tilanäyttö edessä	8	Rullat



1	Vastasuunnan painike	5	Eteenpäinkäytön painike
2	Ylikuumenemisen merkkivalo	6	Keräyssäiliön täyttymisen merkkivalo
3	Pääkytkin päälle/pois	7	Keräyssäiliön aukiolon merkkivalo
4	Ylitäytön merkkivalo		

Asikirjasilppurin asettaminen paikalleen ja käyttöön ottaminen

Asikirjasilppuri toimii vain keräyssäiliön kanssa. Älä aseta asikirjasilppuria lämmönlähteiden lähelle ja varmista, että laitteen ja seinän väliin jää vähintään 10 cm tilaa. Näin asikirjasilppurin jäähdytys toimii riittävästi.

- 1 Aseta asikirjasilppuri tukevasti tasaiselle, vaakasuoralle pinnalle ja helposti ulottuvilla olevan pistorasian lähelle.
- 2 Työnä keräyssäiliö laitteeseen. Keräyssäiliö lukittuu paikalleen kuuluvasti. Jos keräyssäiliö ei ole asianmukaisesti kiinni laitteessa, asikirjasilppuria ei voi kytkeä päälle.

i Käytä ainoastaan toimitukseen sisältyvää virtajohtoa.

- 3 Liitä virtajohto laitteeseen.
- 4 Liitä virtapistoke pistorasiaan.
- 5 Kytke laite toimintaan painamalla pääkytkintä **päälle/pois**.

→ Tilinäyttö palaa SINISENÄ.

→ Asikirjasilppuri on otettu käyttöön.

Asiakirjasilppurin käyttö

Asiakirjasilppuri silppuaa automaattisesti. Asiakirjasilppuria käytetään laitteen päällä olevilla hallintapainikkeilla.

- Asiakirjasilppurin etupuolella on lisäksi tilinäyttö. Tilinäyttö ilmaisee yläpuolella olevien painikkeiden ja merkkivalojen tilan.

Materiaalin automaattinen silppuaminen

Huomioi suurin sallittu leikkausteho ja muut **teknisissä tiedoissa** olevat eritelvät.



Varoitus!

Laitetta ei ole tarkoitettu lasten käyttöön. Vältä käsien, vaatteiden tai hiusten koskemista syöttöaukkoon.

Irrota virtapistoke, jos laite on pitempään käyttämättä. Laitteessa on vaarallisia liikkuvia osia; pidä kehonosat loitolla liikkuvista osista.

Tärkeää!

Materiaaliruuhesta aiheutuvat aineelliset vahingot! Huomioi syöttöaukon suurin sallittu leikkausteho.

- 1 Ohjaa silputtava materiaali syöttöaukon keskelle.
 - ➔ Syöttöaukon sisäänvetomekanismi vetää materiaalin sisään ja pysähtyy, kun materiaalia ei enää syötetä.

Materiaalin silppuaminen manuaalisesti

Harvinaisissa tapauksissa anturit eivät tunnista sisään syötettyä materiaalia.

- 1 Paina painiketta **FWD** ja pidä se painettuna.
 - ➔ Materiaalia syötetään sisään ja silputaan manuaalisesti.
- 2 Päästä painike **FWD** irti.

Asiakirjasilppurin kytkeminen pois päältä

Kytke asiakirjasilppuri pois päältä, kun et enää tarvitse asiakirjasilppuria.

- 1 Kytke laite pois toiminnasta painamalla pääkytkintä **päälle/pois**.
 - ➔ Asiakirjasilppuri on kytketty pois päältä.
- 2 Vedä virtapistoke irti pistorasiasta, kun asiakirjasilppuria ei aiota käyttää pitkään aikaan.

Lepotila

Jos asiakirjasilppuria ei käytetä 30 minuuttiin, asiakirjasilppuri menee lepotilaan. Asiakirjasilppurin etupuolella oleva tilanäyttö sammuu. Asiakirjasilppurin päällä oleva tilanäyttö himmenee.

Lepotila voidaan lopettaa seuraavalla tavalla:

1 Ohjaa silputtava materiaali syöttöaukon keskelle.

→ Asiakirjasilppuri on taas käyttövalmiina.

i Vaihtoehtoisesti voit lopettaa lepotilan painamalla asiakirjasilppurin painiketta **FWD** tai **REV**.

Häiriöiden esiintyessä

Seuraavat ohjeet auttavat, kun esiintyy toimintahäiriöitä.

Ylikuumentumissuoja

Asiakirjasilppuri kytkeytyy ylikuumentumistilanteessa automaattisesti pois päältä. Tilanäyttö palaa PUNAISENA.

Odota **teknisissä tiedoissa** mainitun ajan, kunnes asiakirjasilppuri on jäähtynyt.

→ Jäähtymisajan kuluttua tilanäyttö palaa SINISENÄ.

→ Laite jatkaa silppuamista.

i Huomioi vähimmäisetäisyys seinään ja **teknisissä tiedoissa** olevat jatkuvaa käyttöä koskevat tiedot.

Ylikuormitussuoja

Jos olet syöttänyt laitteeseen **teknisissä tiedoissa** määriteltyä määrää enemmän materiaalia, tilanäyttö vilkkuu PUNAISENA ja asiakirjasilppuri käynnistää automaattisesti 5 sekuntia kestävästi liikkeen taaksepäin.

1 Vedä materiaali ulos asiakirjasilppurista.

→ Tukos on poistettu.

i Kun materiaali on poistettu asiakirjasilppurista, leikkuri liikkuu vielä 3 sekunnin ajan puhdistukseen itsensä. Odota, kunnes asiakirjasilppuri on jälleen pysähtynyt ja tilanäyttö palaa SINISENÄ.

Leikkurin voitelemine

Voitele asiakirjasilppurin leikkuri säännöllisin väliajoin asiakirjasilppurin eliniän pidentämiseksi.

HP:lla on saatavana erikoisöljyä ja öljypaperia tätä tarkoitusta varten.

Tärkeää!

Väärän öljyn käyttämisestä aiheutuvat aineelliset vahingot! Älä käytä suihkutettavia öljyjä. Käytä vain asiakirjasilppuria varten tarkoitettua erikoisöljyä.

Leikkuri voidaan voidella eri tavoin.

Voitelemine öljytyllä paperiarkilla:

- 1 Levitä asiakirjasilppurin erikoisöljyä useina poikittaisina vanoina paperiarkin päälle.
- 2 Ohjaa öljytty paperiarkki syöttöaukkoon.
 - ➔ Öljyllä kostutettu paperiarkki vedetään sisään ja se voitelee leikkurin.

Voitelemine öljypapereilla

- 1 Ohjaa öljypaperi syöttöaukkoon.
 - ➔ Öljyllä kostutettu paperiarkki vedetään sisään ja se voitelee leikkurin.

Keräyssäiliön tyhjennys

Anturi valvoo keräyssäiliön täyttötasoa.

i Jos täyttötaso on korkea, keräyssäiliön täyttymisen merkkivalo vilkkuu PUNAISENA. Asiakirjasilppurin leikkuri pysähtyy ja keräyssäiliö on tyhjennettävä.

1 Kytke laite pois toiminnasta painamalla pääkytkintä **päälle/pois**.

2 Vedä keräyssäiliö ulos laitteesta.

i Jos et ole kytkenyt laitetta pois toiminnasta, keräyssäiliön aukiolon merkkivalo palaa PUNAISENA.

3 Tyhjennä keräyssäiliö.

4 Työnnä keräyssäiliö laitteeseen.

➔ Keräyssäiliö lukittuu paikalleen kuuluvasti.

➔ Keräyssäiliö on tyhjennetty.

Materiaalijäänteiden poistaminen

Jos asiakirjasilppuri ei enää silppua materiaalia odotetulla tavalla, poista materiaalijäänteet leikkurista.

- 1 Paina painiketta **REV** ja pidä se painettuna. Leikkuri liikkuu vastasuuntaan ja leikkuriin jäänyt materiaali vapautuu.
- 2 Päästä painike **REV** irti.
- 3 Kytke laite pois toiminnasta painamalla pääkytkintä **päälle/pois**.
- 4 Vedä virtapistoke irti pistorasiasta.



Huomio! Teräväreunaisen leikkurin aiheuttama vammautumisaara! Ole erityisen varovainen poistaessasi materiaalijäänteitä.

- 5 Poista materiaalijäänteet varovaisesti leikkurista sopivalla kärjellisellä esineellä.
→ Materiaalijäänteet on poistettu leikkurista.

Asiakirjasilppurin puhdistaminen

Puhdista asiakirjasilppuri säännöllisin väliajoin.



Huomio! Pistoliekestä aiheutuva vammautumisaara! Paineilmasuihkeita käytettäessä voi esiintyä pistoliekejä. Älä koskaan käytä paineilmasuihkeita.

- 1 Kytke laite pois toiminnasta painamalla pääkytkintä **päälle/pois**.
- 2 Vedä virtapistoke irti pistorasiasta.
- 3 Puhdista kotelon pinnat pehmeällä, kuivalla ja nukkaamattomalla pyyhkeellä. Älä käytä paineilmasuihkeita, puhdistus- tai liuotainaineita.

Tekniset tiedot


Malli	Pro Shredder 24CC	Pro Shredder 16MC
Mitat (mm))	L: 295 P: 424 K: 645	L: 295 P: 424 K: 645
Turvallisuusluokka DIN 66399-2:n mukaan	P-4	P-5
Leikattavan materiaalin koko (paksuus × leveys, mm)	4 × 35	2 × 15
Suurin leikkausteho (arket / luottokortti)	24/1	16/1
Työleveys (mm)	220	220
Virransyöttö	220-240 V~, 50 Hz, 3.0 A, 680 W	220-240 V~, 50 Hz, 3.0 A, 680 W
Máxima temperatura ambiente [°C]	25	25
Keräyssäiliön tilavuus (l)	30	30
Paino (kg)	20	18,2
Äänenvoimakkuus (dB)	55	55
Jatkuva käyttö (min) / jäähtymisaika (min)	40 / 50	40 / 50
Työnopeus (m/min)	1.6	1.6
Leikkaustapa	Ristiinleikkaus	Mikroleikkaus

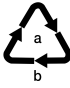
Vakuutamme, että tämä laite täyttää asiakirjoja hävitettäessä standardin DIN 66399 mukaisten turvallisuustasojen P-4 ja P-5 vaatimukset.

P-4: Suositellaan tietovälineille, jotka sisältävät erityisen arkoja ja luottamuksellisia tietoja. Silppukoko $\leq 160 \text{ mm}^2$ ja säännölliselle silpulle: suikaleveys $\leq 6 \text{ mm}$ (esim. silppu $4 \times 40 \text{ mm}$).

P-5: Suositellaan tietovälineille, jotka sisältävät salassa pidettäviä tietoja. Silppukoko $\leq 30 \text{ mm}^2$ ja säännölliselle silpulle: suikaleveys $\leq 2 \text{ mm}$ (esim. silppu $2 \times 15 \text{ mm}$).

Hävittäminen

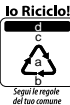
 Viereinen symboli tarkoittaa, että käytetyt sähkö- ja elektroniikkalaitteet on lain mukaan hävitettävä erillään kotitalousjätteestä. Toimita laite paikalliseen jätteenkäsittelypaikkaan hävitettäväksi.

 Noudata jätteiden erottelussa pakkausmateriaalien merkintöjä. Ne on merkitty lyhenteillä (b) ja numeroilla (a), jotka tarkoittavat seuraavaa: 1–7: muovit / 20–22: paperi ja pahvi / 80–98: materiaaliyhdistelmät.

 Hävitä pakkausmateriaalit paikallisten määräysten mukaisesti.

 Pakkaukset on valmistettu ympäristöystävällisistä materiaaleista, jotka voit hävittää paikallisissa kierrätyspisteissä. Tiedustele kuntasi viranomaisilta oikeista hävitysmahdollisuuksista.

 Laite ja pakkausmateriaali ovat kierrätettäviä, hävitä ne erikseen jätteiden paremman käsittelyn varmistamiseksi. Triman-logo on voimassa vain Ranskassa.

 Laite ja pakkausmateriaali ovat kierrätettäviä, hävitä ne erikseen jätteiden paremman käsittelyn varmistamiseksi. Tiedustele kuntasi viranomaisilta oikeista hävitysmahdollisuuksista. Noudata pakkausmateriaalin seuraavia merkintöjä: (a) numerot, (b) lyhenteet ja (c) materiaali, jotka tarkoittavat seuraavaa: 1–7: muovit / 20–22: paperi ja pahvi / 80–98: materiaaliyhdistelmät sekä (d) pakkauslaji. Logo on voimassa vain Italiassa.

Varastointia koskevia ohjeita

Asiakirjasilppuria on käytön jälkeen varastoitava turvallisella tavalla. Huomioi seuraavat ohjeet:

Varastoi asiakirjasilppuria

- vain alkuperäisessä pakkauksessa
- kuivassa, puhtaassa paikassa
- vain jäähtyneenä

Kysymykset ja asiakaspalvelu

Arvoisa asiakas,

kiitos, että olet päättänyt hankkia tämän tuotteen.

Jos se ei toimi odotetulla tavalla tai jos se on viallinen, ota yhteyttä siihen jälleenmyyjään, jolta laite on ostettu.

Lisätietoja löydät myös internet-sivustomme

www.hp.com/officeequipment kohdasta Kontakti & Palvelut.

Vaatimustenmukaisuusvakuutus

CE Laitteessa oleva CE-merkki vahvistaa vaatimustenmukaisuuden.

Vaatimustenmukaisuusvakuutus löytyy osoitteesta www.hp.com/officeequipment.

UK Laitteessa oleva UKCA-merkki vahvistaa vaatimustenmukaisuuden.

CA Vaatimustenmukaisuusvakuutus löytyy osoitteesta www.hp.com/officeequipment.

Valmistaja

GO Europe GmbH

Zum Kraftwerk 1

D-45527 Hattingen

Saksa

Lire le mode d'emploi



Veillez lire attentivement ce mode d'emploi et respecter les consignes lorsque vous manipulez le destructeur de documents. Conservez-le pour pouvoir vous y référer ultérieurement.

Utilisation conforme à l'usage prévu

Votre destructeur de documents est destiné au broyage de papier, de cartes de crédit, de trombones et agrafes. Il n'est conçu que pour un usage strictement domestique dans des espaces clos.

Toute autre forme d'utilisation n'est pas conforme à l'usage prévu. Il est interdit d'y apporter de son propre gré des modifications et des transformations : celles-ci entraînent la perte de garantie.

Respecter les consignes de sécurité

Veillez lire les consignes de sécurité et en tenir compte pour vous protéger, ainsi que pour respecter l'environnement.



Avertissement !

Risque de blessure dû au mécanisme d'introduction ! Des objets non attachés peuvent se prendre dans la fente et provoquer des blessures. N'approchez pas doigts, cheveux, écharpes, cravates, bijoux, etc. de la fente d'insertion.



Avertissement !

Danger de mort par électrocution. Une manipulation incorrecte du destructeur de documents peut entraîner une électrocution. Il est interdit d'y apporter de son propre gré des modifications et des transformations. Ne le faites pas fonctionner avec un câble d'alimentation défectueux. Déconnectez-le immédiatement en cas d'endommagements ou de fonctionnement incorrect et retirez la fiche de secteur de la prise de courant. N'utilisez que le câble d'alimentation fourni.

Faites effectuer les réparations uniquement par du personnel spécialisé et qualifié. Placez le destructeur de documents à proximité d'une prise de courant facilement accessible pour pouvoir le couper rapidement du réseau en cas d'urgence. Ne jamais le toucher avec des mains humides. Éviter tout contact avec de l'eau.

Retirez toujours la fiche de secteur quand vous n'utilisez pas l'appareil. N'utilisez que le câble d'alimentation fourni.



Avertissement !

Risque d'étouffement lié à des petits objets, des matériaux d'emballage ou des films de protection ! Les enfants peuvent les avaler. Tenir l'appareil et son emballage hors de portée des enfants.

**Avertissement !**

Cet appareil peut être utilisé par des enfants à partir de 8 ans et des personnes présentant une diminution de leurs aptitudes physiques, sensorielles ou mentales ou un manque d'expérience et/ou de connaissances si elles sont sous surveillance ou si on leur a enseigné l'utilisation sûre de l'appareil et si elles ont compris les dangers résultant de ce dernier. Ne laissez pas les enfants jouer avec l'appareil. Ils ne doivent pas nettoyer ou effectuer son entretien s'ils sont sans surveillance.

**Prudence !**

Risque de trébucher à cause d'un câble posé incorrectement. Poser celui-ci de sorte que personne ne puisse trébucher à cause de lui. Assurez-vous que la fiche et le câble ne puissent pas être endommagés.

**Important !**

Dommage matériel éventuel. Éviter les impacts environnementaux tels que fumée, poussière, vibrations, produits chimiques, humidité, grande chaleur ou ensoleillement direct.

N'utilisez le destructeur de documents qu'à l'intérieur et dans les conditions d'environnement tolérées mentionnées dans les données techniques.

Les informations suivantes vous aident à ce que le destructeur de documents fonctionne toujours comme vous le voulez.



Veillez lire entièrement le mode d'emploi avant d'utiliser l'appareil.



N'approchez pas des cheveux longs du destructeur de documents.



N'approchez pas du destructeur des parties de vêtement volantes, des bijoux ou autres objets non attachés.



N'approchez pas cravates et écharpes du destructeur de documents.



Remarque générale sur des risques éventuels nécessitant votre attention particulière.



N'introduisez jamais vos doigts dans la fente d'insertion.



Tenez-le hors de portée des enfants et des animaux domestiques.



Ne vaporisez pas de gaz combustibles dans sa direction. N'utilisez jamais de sprays à air comprimé.



Tenez compte du nombre maximum de feuilles à insérer (cf. Données techniques).

**Prudence !**

Risque de blessure dû au bloc de coupe à arêtes vives !



Avertissement !

L'appareil n'est pas destiné à être utilisé par des enfants. Évitez tout contact de la fente d'insertion avec les mains, les vêtements ou les cheveux.

Retirez la fiche de secteur si vous n'utilisez pas l'appareil pendant une période prolongée. Des éléments mobiles dangereux se trouvent dans cet appareil ; tenez les parties corporelles éloignées de ceux-ci.



N'utilisez-le produit que dans des espaces intérieurs.



N'introduisez les cartes de crédit que verticalement.



Le label « sécurité contrôlée » (marquage GS) certifie que ce produit répond aux exigences de la loi allemande sur la sécurité des produits (ProdSG).

Le marquage GS indique que la sécurité et la santé de l'utilisateur ne sont pas mises en danger lorsque le produit est utilisé conformément à l'usage prévu et en cas d'utilisation incorrecte prévisible. Il s'agit d'un marquage de sécurité non obligatoire émis par un contrôle technique approprié.

Contrôler le contenu du coffret

Contrôlez le contenu de l'emballage de votre destructeur de documents avant de faire fonctionner ce dernier. N'utilisez en aucun cas l'appareil si une pièce manque ou est endommagée. Veuillez vous adresser à notre service après-vente.

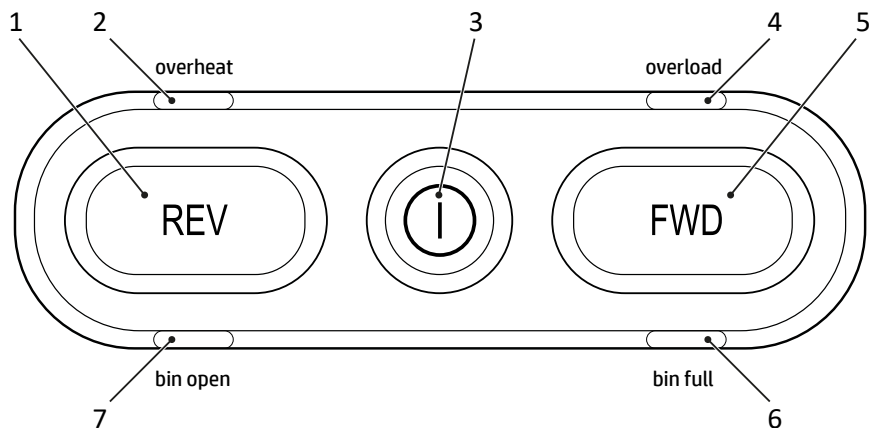
- 1 Destructeur de documents Pro Shredder 24CC ou Pro Shredder 16MC avec bac pour réception des particules
- 1 Mode d'emploi
- 1 Câble d'alimentation
- 1 Feuille de papier huilé

Votre destructeur de documents en détail

La figure suivante représente votre destructeur de documents dans le détail.



1	Touches de commande / Affichage de l'état (voyant lumineux)	5	Poignée
2	Fente d'insertion	6	Poignée / Fenêtre de contrôle
3	Bloc de coupe	7	Bac
4	Affichage de l'état devant	8	Roulettes



1	Bouton marche arrière	5	Bouton marche avant
2	LED d'état surchauffe	6	LED d'état bac plein
3	Interrupteur principal Marche/Arrêt	7	LED d'état bac ouvert
4	LED d'état surcharge		

Positionnement et mise en service du destructeur de documents

Votre destructeur de documents fonctionne uniquement avec le bac. Ne le posez pas à proximité d'une source de chaleur et maintenez une distance de 10 cm minimum par rapport au mur, ce qui lui permet un refroidissement suffisant.

- 1 Posez-le de façon stable sur une surface horizontale plane et à proximité d'une prise de courant facilement accessible.
- 2 Poussez le bac dans l'appareil. Il s'enclenche de façon audible. S'il n'est pas placé correctement, vous ne pouvez pas allumer le destructeur.

i N'utilisez que le câble d'alimentation fourni.

- 3 Raccordez le câble d'alimentation à l'appareil.
- 4 Introduisez la fiche de secteur dans une prise de courant.
- 5 Branchez l'appareil en appuyant sur l'interrupteur principal **Marche/Arrêt**.

→ Le voyant lumineux devient BLEU.

→ Vous avez mis votre destructeur de documents en service.

Comment utiliser le destructeur de documents

Le destructeur de documents fonctionne avec destruction automatique. Vous pouvez utiliser l'appareil en appuyant sur les touches situées sur le dessus.

 Le destructeur est équipé sur le devant d'un affichage de l'état supplémentaire. Celui-ci reproduit les affichages des boutons situés sur le dessus et des LED.

Broyage automatique du support

Respectez la capacité de coupe maximale et les autres spécifications mentionnées dans les **Données techniques**.



Avertissement !

L'appareil n'est pas destiné à être utilisé par des enfants. Évitez tout contact de la fente d'insertion avec les mains, les vêtements ou les cheveux. Retirez la fiche de secteur si vous n'utilisez pas l'appareil pendant une période prolongée. Des éléments mobiles dangereux se trouvent dans cet appareil ; tenez les parties corporelles éloignées de ceux-ci.

Important !

Domage matériel en cas de bourrage du support ! Veuillez respecter la capacité de coupe maximale de l'introducteur.

- 1 Insérez le support à broyer au centre de la fente d'insertion.
 - ➔ Celle-ci happe le support et s'arrête quand aucun autre support n'est introduit.

Broyage manuel du support

Dans de rares cas, les capteurs ne détectent pas le support inséré.

- 1 Appuyez assez longuement sur la touche **FWD**.
 - ➔ Le support est happé manuellement et broyé.
- 2 Relâchez la touche **FWD**.

Débrancher le destructeur de documents

Débranchez le destructeur de documents si vous n'en n'avez plus besoin.

- 1 Débranchez l'appareil en appuyant sur l'interrupteur principal **Marche/Arrêt** .
 - ➔ Vous avez débranché le destructeur.
- 2 Retirez la fiche de secteur de la prise de courant si vous n'utilisez pas l'appareil pendant une période prolongée.

Mode veille

Si vous n'utilisez pas le destructeur de documents pendant 30 minutes, celui-ci passe en mode veille. Le voyant lumineux situé sur le devant de l'appareil s'éteint. La lumière du voyant lumineux situé sur le dessus de l'appareil s'atténue.

Effectuez ce qui suit pour désactiver le mode veille :

- 1 Insérez le support à broyer au centre de la fente.
 - ➔ Le destructeur de documents est de nouveau prêt à fonctionner.

i Comme alternative, appuyez sur la touche **FWD** ou la touche **REV** de l'appareil.

Si quelque chose ne fonctionne pas

Les informations suivantes vous aident lorsque quelque chose ne fonctionne pas comme vous le voulez.

Protection thermique

Le destructeur de documents se débranche automatiquement en cas de surchauffe. Le voyant lumineux devient ROUGE.

Respectez le temps de refroidissement mentionné dans les **Données techniques**.

- ➔ Après la phase de refroidissement, le voyant lumineux devient BLEU.
- ➔ Le broyage continue.

i Tenez compte de la distance minimum par rapport au mur, ainsi que les informations concernant le fonctionnement permanent mentionnées dans les **Données techniques**.

Protection contre une surcharge

Si vous avez inséré une quantité plus importante de support qu'indiquée dans les **Données techniques**, le voyant lumineux clignote ROUGE et le destructeur de documents démarre la marche arrière automatique pour une durée de 5 secondes.

- 1 Retirez le support du destructeur de documents.
 - ➔ Vous avez éliminé le blocage.

i Lorsque vous avez retiré le support, le bloc de coupe continue son mouvement pendant 3 secondes pour se nettoyer. Attendez que le destructeur s'arrête et que le voyant lumineux devienne BLEU.

Huilage du bloc de coupe

Huiliez le bloc de coupe du destructeur de documents à des intervalles réguliers si vous voulez en prolonger sa durée de vie.

Des feuilles spéciales huilées, ainsi que de l'huile spéciale pour destructeur sont en vente chez HP.

Important !

Dommage matériel éventuel dû à l'utilisation d'huiles non appropriées ! N'utilisez pas d'huiles de pulvérisation. Utilisez uniquement une huile spéciale pour destructeurs de documents.

Vous avez plusieurs possibilités de huiler le bloc de coupe.

Le huiler avec du papier que vous aurez huilé vous-même :

- 1 Enduisez une feuille de papier de cette huile sous forme de lignes transversales.
- 2 Approchez la feuille huilée de la fente.
 - ➔ Celle-ci est happée et huile le bloc de coupe.

Le huiler avec des feuilles huilées.

- 1 Insérez la feuille huilée dans la fente.
 - ➔ Celle-ci est happée et huile le bloc de coupe.

Vidage du bac

Un capteur contrôle le niveau de remplissage du bac.

i En cas de niveau de remplissage élevé, la LED d'état „bac plein“ clignote ROUGE. Le bloc de coupe du destructeur s'arrête et vous devez vider le bac.

- 1 Débranchez l'appareil en appuyant sur l'interrupteur principal **Marche/Arrêt** .

- 2 Retirez le bac de l'appareil.

i Si vous n'avez pas éteint ce dernier, la LED d'état „bac ouvert“ devient ROUGE.

- 3 Videz régulièrement le bac.

- 4 Poussez le bac dans l'appareil.

➔ Il s'enclenche de façon audible.

➔ Vous avez vidé le bac.

Extraction des restes de documents

Si votre destructeur ne broie pas le support comme vous le souhaitez, retirez les restes du bloc de coupe.

- 1 Appuyez assez longuement sur la touche **REV**. Le bloc de coupe tourne en marche arrière et libère les restes de support.
- 2 Relâchez la touche **REV**.
- 3 Débranchez l'appareil en appuyant sur l'interrupteur principal **Marche/Arrêt**.
- 4 Retirez la fiche de secteur de la prise de courant.



Prudence ! Risque de blessure dû au bloc de coupe à arêtes vives ! Soyez tout particulièrement prudent lorsque vous retirez des restes de support.

- 5 Retirez avec précaution les restes se trouvant dans le bloc de coupe à l'aide d'un objet pointu approprié.
→ Vous avez supprimé les restes de support du bloc de coupe.

Nettoyage du destructeur de documents

Nettoyez le destructeur de documents à intervalles réguliers.



Prudence ! Risque de blessure dû à une flamme jaillissante ! Celle-ci peut se produire lorsque vous utilisez un spray à air comprimé. N'utilisez jamais de sprays à air comprimé.

- 1 Débranchez l'appareil en appuyant sur l'interrupteur principal **Marche/Arrêt**.
- 2 Retirez la fiche de secteur de la prise de courant.
- 3 Nettoyez la surface du boîtier avec un chiffon doux, sec et non pelucheux. N'utilisez pas de pulvérisateurs à air comprimé ni de produits d'entretien et de solvants.

Données techniques

Modèle	Pro Shredder 24CC	Pro Shredder 16MC
Dimensions (mm))	L : 295 L : 424 H : 645	L : 295 L : 424 H : 645
Niveau de sécurité conforme à la norme DIN 66399-2.	P-4	P-5
Taille de la particule (épaisseur× largeur, mm)	4 ×35	2 ×15
Capacité de coupe max. (feuilles / carte de crédit)	24/1	16/1
Largeur de passage (mm)	220	220
Alimentation en courant	220-240 V~, 50 Hz, 3.0 A, 680 W	220-240 V~, 50 Hz, 3.0 A, 680 W
Température ambiante max. [°C]	25	25
Contenance du bac (l)	30	30
Poids (kg)	20	18,2
Volume (dB)	55	55
Fonctionnement permanent (min) / Temps de refroidissement (min)	40 / 50	40 / 50
Vitesse de travail (m/min)	1.6	1.6
Type de coupe	Coupe en particules	Microcoupe

Nous déclarons que cet appareil répond aux conditions des niveaux de sécurité P-4 et P-5, conformément à la norme DIN 66399 lorsqu'il détruit les documents.

P-4 : Recommandé pour les supports de données particulièrement sensibles et confidentielles. Surface des particules $\leq 160 \text{ mm}^2$ et pour des particules régulières : largeur de bandelette $\leq 6 \text{ mm}$ (par ex. particules $4 \times 40 \text{ mm}$).

P-5 : Recommandé pour les supports de données devant être tenues secrètes. Surface des particules $\leq 30 \text{ mm}^2$ et pour des particules régulières : largeur de bandelette $\leq 2 \text{ mm}$ (par ex. particules $2 \times 15 \text{ mm}$).

Élimination



Le symbole ci-contre signifie qu'en raison de dispositions légales, les appareils électriques et électroniques usagés ne doivent pas être éliminés avec les ordures ménagères. Veuillez apporter votre appareil au centre de collecte de l'organisme d'élimination des déchets de votre commune. Éliminez les matériaux d'emballage conformément aux règlements locaux.



Tenez compte du marquage sur les emballages lorsque vous triez les déchets ; ceux-ci sont dotés d'abréviations (b) et de numéros (a) signifiant ce qui suit : 1–7 : plastiques / 20–22 : papiers et cartons / 80–98 : composites.



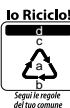
Les matériaux d'emballage doivent être éliminés conformément aux réglementations locales.



L'emballage est constitué de matériaux recyclables que vous pouvez apporter à des centres de collecte locaux qui se chargent de son recyclage. Renseignez-vous sur les possibilités d'élimination des déchets auprès de l'administration locale.



L'appareil et les matériaux d'emballage sont recyclables, éliminez-les séparément pour une meilleure gestion des déchets. Le logo Triman est valable en France uniquement.



L'appareil et les emballages sont recyclables. Éliminez-les séparément pour une meilleure gestion des déchets. Informez-vous auprès de votre commune sur les possibilités d'une élimination adéquate. Tenez compte du marquage suivant sur les emballages : (a) numéros, (b) abréviations et (c) matériau signifiant ce qui suit : 1–7 : plastiques / 20–22 : papiers et cartons / 80–98 : composites, ainsi que (d) genre d'emballage. Ce logo n'est valable que pour l'Italie.

Remarques relatives au stockage du destructeur de documents

Après l'avoir utilisé, vous devez stocker le destructeur de façon sûre. Tenez compte des remarques suivantes :

Stockez le destructeur de documents

- uniquement dans son emballage original
- à un endroit sec et propre
- uniquement s'il est refroidi

Questions et service

Cher client,

nous sommes très heureux que vous ayez choisi cet appareil.

En cas de défaut, veuillez retourner l'appareil dans son emballage d'origine et accompagné du bon d'achat au magasin où vous l'avez acheté.

Pour plus d'informations, consultez également notre portail Contact et Service sur notre site Internet www.hp.com/officeequipment.

Déclaration de conformité

CE Ladite conformité est attestée sur l'appareil par le marquage CE.

Vous trouverez la déclaration de conformité de ce produit sur le site www.hp.com/officeequipment.

**UK
CA** La conformité est attestée sur l'appareil par le marquage UKCA (UK Conformity Assessed).

Vous trouverez la déclaration de conformité de ce produit sur le site www.hp.com/office-equipment.

Fabricant

GO Europe GmbH
Zum Kraftwerk 1
D-45527 Hattingen
Allemagne

Διαβάστε τις Οδηγίες Χρήσης



Διαβάστε προσεκτικά τις οδηγίες χρήσης και προσέξτε τις υποδείξεις κατά τον χειρισμό του καταστροφέα εγγράφων. Φυλάξτε τις οδηγίες χρήσης για μελλοντική αναφορά.

Χρήση σύμφωνα με τον προορισμό

Ο καταστροφέας εγγράφων σας ενδείκνυται για τον τεμαχισμό χαρτιού, πιστωτικών καρτών και συνδετήρων. Ο καταστροφέας εγγράφων προορίζεται αποκλειστικά για την ιδιωτική χρήση σε κλειστός χώρο.

Οποιαδήποτε άλλη χρήση θεωρείται μη ενδεδειγμένη. Αυθαίρετες μετατροπές ή τροποποιήσεις δεν επιτρέπονται και συνεπάγονται ακύρωση της εγγύησης.

Τηρείτε τις υποδείξεις ασφαλείας

Διαβάστε και προσέξτε τις υποδείξεις προειδοποίησης, για να προστατεύσετε εσάς και το περιβάλλον.



Προειδοποίηση!

Κίνδυνος τραυματισμού από τον μηχανισμό τροφοδοσίας. Μη στερεωμένα αντικείμενα μπορεί να σφηνώσουν στην τροφοδοσία και να προκαλέσουν τραυματισμούς. Διατηρείτε τα δάκτυλα, τα μαλλιά, κασκόλ, γραβάτες, κοσμήματα κτλ. μακριά από την τροφοδοσία.



Προειδοποίηση!

Κίνδυνος τραυματισμού από ηλεκτροπληξία. Ο λανθασμένος χειρισμός του καταστροφέα εγγράφων μπορεί να οδηγήσει σε ηλεκτροπληξία. Αυθαίρετες προσαρμογές ή μετατροπές στον μετατροπέα εγγράφων δεν επιτρέπονται. Μην λειτουργείτε τον καταστροφέα εγγράφων με φθαρμένο καλώδιο τροφοδοσίας. Απενεργοποιήστε αμέσως τον καταστροφέα εγγράφων σε περίπτωση ζημιών ή μη ενδεδειγμένης λειτουργίας και αποσυνδέστε το καλώδιο τροφοδοσίας. Χρησιμοποιείτε αποκλειστικά το συνοδευτικό καλώδιο τροφοδοσίας.

Επισκευές επιτρέπεται να εκτελούνται μόνο από εξειδικευμένο τεχνικό προσωπικό. Τοποθετήστε τον καταστροφέα εγγράφων κοντά σε μια εύκολα προσβάσιμη πρίζα, ώστε ο καταστροφέας εγγράφων να μπορεί να αποσυνδεθεί γρήγορα από το ηλεκτρικό δίκτυο σε περίπτωση έκτακτης ανάγκης. Ποτέ μην τον αγγίζετε με υγρά χέρια. Αποφύγετε οποιαδήποτε επαφή με το νερό.

Αποσυνδέετε πάντα το φις τροφοδοσίας, όταν η συσκευή δεν χρησιμοποιείται. Χρησιμοποιείτε αποκλειστικά το συνοδευτικό καλώδιο τροφοδοσίας.

**Προειδοποίηση!**

Κίνδυνος ασφυξίας από μικροεξαρτήματα, υλικά συσκευασίας ή προστατευτικές μεμβράνες. Τα παιδιά μπορεί να καταπιούν μικρά μικροεξαρτήματα, υλικά συσκευασίας ή προστατευτικές μεμβράνες. Διατηρείτε τα παιδιά μακριά από τη συσκευή και τη συσκευασία της.

**Προειδοποίηση!**

Η παρούσα συσκευή μπορεί να χρησιμοποιηθεί από παιδιά ηλικίας οκτώ ετών και άνω και από άτομα με περιορισμένες σωματικές, αισθητήριες ή πνευματικές ικανότητες ή έλλειψη εμπειρίας ή/και γνώσης, όταν επιβλέπονται ή έχουν κατατοπιστεί αναφορικά με την ασφαλή χρήση της συσκευής και έχουν κατανοήσει τους κινδύνους που απορρέουν από τη συσκευή. Τα παιδιά δεν επιτρέπεται να παίζουν με τη συσκευή. Ο καθαρισμός και η συντήρηση χρήστη δεν επιτρέπεται να πραγματοποιούνται από παιδιά χωρίς επίβλεψη.

**Προσοχή!**

Κίνδυνος παραπατήματος από ακατάλληλα τοποθετημένο καλώδιο τροφοδοσίας. Τοποθετήστε το καλώδιο τροφοδοσίας έτσι, ώστε να μην αποτελεί κίνδυνο παραπατήματος. Προσέξτε να μην προκληθούν ζημιές στο φινιρίσμα και στο καλώδιο τροφοδοσίας.

**Σημαντικό!**

Πιθανότητα υλικών ζημιών. Αποφύγετε περιβαλλοντικές επιδράσεις όπως π.χ. καπνός, σκόνη, δονήσεις, χημικές ουσίες, υγρασία, θερμότητα ή απευθείας έκθεση στον ήλιο.

Χρησιμοποιείτε τον καταστροφέα εγγράφων μόνο σε κλειστούς χώρους και εντός των συνθηκών περιβάλλοντος που ορίζονται στα τεχνικά χαρακτηριστικά.

Προσέξτε τις παρακάτω υποδείξεις, ώστε ο καταστροφέας εγγράφων να λειτουργεί πάντα με τον αναμενόμενο τρόπο.



Πριν από την έναρξη λειτουργίας διαβάστε τις Οδηγίες Χρήσης.



Μην πλησιάζετε τα μακριά μαλλιά στον καταστροφέα εγγράφων.



Διατηρείτε τα χαλαρά μέρη ενδυμάτων, κοσμημάτων ή άλλα χαλαρά αντικείμενα μακριά από τον καταστροφέα εγγράφων.



Ποτέ μην βάζετε τα χέρια σας απευθείας στην τροφοδοσία.



Διατηρείτε τα παιδιά και τα κατοικίδια μακριά από τον καταστροφέα εγγράφων.



Μην ψεκάζετε εύφλεκτα αέρια προς την κατεύθυνση του καταστροφέα εγγράφων. Ποτέ μην χρησιμοποιείτε σπρέι πεπιεσμένου αέρα.



Μην πλησιάζετε γραβάτες και κασκόλ στον καταστροφέα εγγράφων.



Γενική υπόδειξη για πιθανούς κινδύνους, που απαιτούν αυξημένη προσοχή.



Προειδοποίηση!

Η συσκευή αυτή δεν προορίζεται για τη χρήση από παιδιά. Αποφύγετε την επαφή του ανοίγματος τροφοδοσίας με τα χέρια, με ρούχα ή με μαλλιά. Αποσυνδέστε το φιλτράρισμα τροφοδοσίας, όταν η συσκευή δεν χρησιμοποιείται για μεγαλύτερο χρονικό διάστημα. Αυτή η συσκευή περιέχει επικίνδυνα κινούμενα μέρη, διατηρείτε τα μέρη του σώματος μακριά από τα κινούμενα μέρη.

Χρησιμοποιείτε το προϊόν μόνο σε εσωτερικούς χώρους.



Προσέξτε τον μέγιστο αριθμό φύλλων (βλέπε Τεχνικά στοιχεία).



Προσοχή!

Κίνδυνος τραυματισμού από τον αιχμηρό μηχανισμό κοπής!



Εισάγετε τις πιστωτικές κάρτες μόνο κάθετα.

Η σφραγίδα «Ελεγμένη ασφάλεια» (σήμα GS) πιστοποιεί, ότι το προϊόν πληροί τις απαιτήσεις του γερμανικού νόμου για την ασφάλεια των προϊόντων (ProdSG).



Το σήμα GS δείχνει, ότι κατά τη χρήση σύμφωνα με τον προορισμό και σε περίπτωση προβλέψιμης λανθασμένης χρήσης του προϊόντος που φέρει το σήμα, δεν κινδυνεύουν η ασφάλεια και υγεία του χρήστη. Πρόκειται για ένα προαιρετικό σήμα ασφαλείας, το οποίο εκδόθηκε από ένα κατάλληλο ινστιτούτο δοκιμών.

Έλεγχος περιεχομένου συσκευασίας

Ελέγξτε το περιεχόμενο της συσκευασίας του καταστροφέα εγγράφων, προτού θέσετε σε λειτουργία τον καταστροφέα εγγράφων.

Αν κάτι λείπει ή έχει υποστεί ζημιά, σε καμία περίπτωση μην θέτετε σε λειτουργία τον καταστροφέα εγγράφων. Απευθυνθείτε στην εξυπηρέτηση πελατών.

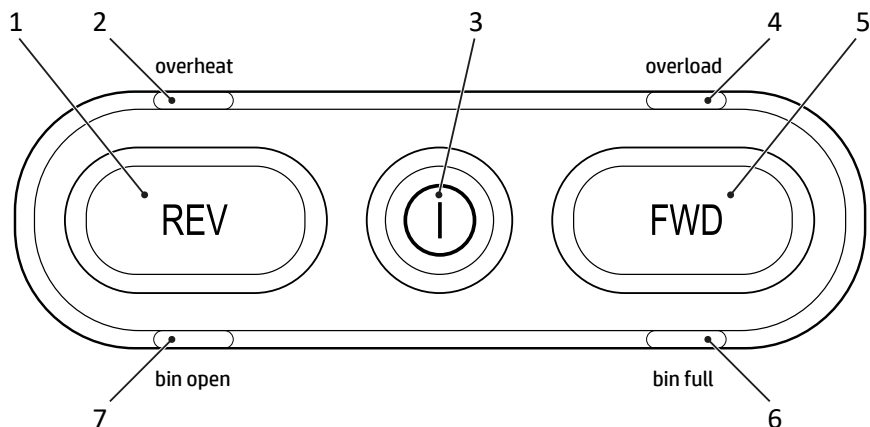
- 1 καταστροφέας εγγράφων Pro Shredder 24CC ή Pro Shredder 16MC με δοχείο συλλογής για το υλικό κοπής
- 1 Οδηγίες Χρήσης
- 1 καλώδιο τροφοδοσίας
- 1 φύλλο χαρτί λαδιού

Ο καταστροφέας εγγράφων λεπτομερώς

Η παρακάτω εικόνα δείχνει αναλυτικά τον καταστροφέα εγγράφων.



1	Πλήκτρα χειρισμού / Ένδειξη κατάστασης	5	Χειρολαβή
2	Τροφοδοσία	6	Παράθυρο παρατήρησης / Χειρολαβή
3	Μηχανισμός κοπής	7	Δοχείο συλλογής
4	Ένδειξη κατάστασης μπροστά	8	Τροχοί



1	Πλήκτρο αντίστροφης λειτουργίας	5	Πλήκτρο λειτουργίας εμπρός
2	LED κατάστασης υπερθέρμανση	6	LED κατάστασης δοχείο συλλογής πλήρες
3	Γενικός διακόπτης On/Off	7	LED κατάστασης δοχείο συλλογής ανοιχτό
4	LED κατάστασης υπερφόρτωση		

Τοποθέτηση και έναρξη λειτουργίας καταστροφέα εγγράφων

Ο καταστροφέας εγγράφων λειτουργεί μόνο με το δοχείο συλλογής. Μην τοποθετείτε τον καταστροφέα εγγράφων κοντά σε πηγές θερμότητας και διατηρείτε απόσταση τουλάχιστον 10 cm από τον τοίχο. Έτσι εξασφαλίζεται η επαρκής ψύξη του καταστροφέα εγγράφων.

- 1 Τοποθετήστε τον καταστροφέα εγγράφων σταθερά σε επίπεδη, οριζόντια επιφάνεια και κοντά σε μια εύκολα προσβάσιμη πρίζα.
- 2 Ωθήστε το δοχείο συλλογής μέσα στη συσκευή. Το δοχείο συλλογής ασφαλίζει με χαρακτηριστικό ήχο. Αν το δοχείο συλλογής δεν εφαρμόζει σωστά στη συσκευή, ο καταστροφέας εγγράφων δεν μπορεί να ενεργοποιηθεί.

i Χρησιμοποιείτε αποκλειστικά το συνοδευτικό καλώδιο τροφοδοσίας.

- 3 Συνδέστε το καλώδιο τροφοδοσίας στη συσκευή.
- 4 Συνδέστε το φικ στην πρίζα.
- 5 Ενεργοποιήστε τη συσκευή, πατώντας τον γενικό διακόπτη **On/Off**.

➔ Η ένδειξη κατάστασης ανάβει μπλε.

➔ Ο καταστροφέας εγγράφων τίθεται σε λειτουργία.

Χειρισμός καταστροφέα εγγράφων

Ο καταστροφέας εγγράφων λειτουργεί με αυτόματο τεμαχισμό. Ο χειρισμός του καταστροφέα εγγράφων πραγματοποιείται μέσω των πλήκτρων χειρισμού στην πάνω πλευρά της συσκευής.

i Ο καταστροφέας εγγράφων διαθέτει στην μπροστινή πλευρά μια πρόσθετη ένδειξη κατάστασης. Αυτή η ένδειξη κατάστασης εμφανίζει τις ενδείξεις των πλήκτρων και LED που υπάρχουν στην πάνω πλευρά.

Αυτόματος τεμαχισμός υλικού

Προσέξτε τη μέγιστη επιτρεπόμενη απόδοση κοπής και τις άλλες προδιαγραφές στα **τεχνικά στοιχεία**.



Προειδοποίηση!

Η συσκευή αυτή δεν προορίζεται για τη χρήση από παιδιά. Αποφύγετε την επαφή του ανοίγματος τροφοδοσίας με τα χέρια, με ρούχα ή με μαλλιά.

Αποσυνδέστε το φιν τροφοδοσίας, όταν η συσκευή δεν χρησιμοποιείται για μεγαλύτερο χρονικό διάστημα. Αυτή η συσκευή περιέχει επικίνδυνα κινούμενα μέρη, διατηρείτε τα μέρη του σώματος μακριά από τα κινούμενα μέρη.

Σημαντικό!

Υλικές ζημιές από συμφόρηση υλικού! Προσέξτε τη μέγιστη απόδοση κοπής της τροφοδοσίας.

1 Εισάγετε το προς τεμαχισμό υλικό κεντρικά στην τροφοδοσία.

➔ Η τροφοδοσία τραβά το υλικό και σταματά, όταν δεν τροφοδοτείται άλλο υλικό.

Χειροκίνητος τεμαχισμός υλικού

Σε σπάνιες περιπτώσεις οι αισθητήρες δεν αναγνωρίζουν το τροφοδοτημένο υλικό.

1 Πατήστε παρατεταμένα το πλήκτρο **FWD**.

➔ Το υλικό τροφοδοτείται χειροκίνητα και τεμαχίζεται.

2 Αφήστε το πλήκτρο **FWD**.

Απενεργοποίηση καταστροφέα εγγράφων

Απενεργοποιήστε τον καταστροφέα εγγράφων, όταν δεν χρειάζεστε πλέον τον καταστροφέα εγγράφων.

1 Απενεργοποιήστε τη συσκευή, πατώντας τον γενικό διακόπτη **On/Off**.

➔ Ο καταστροφέας εγγράφων απενεργοποιείται.

2 Τραβήξτε το φιν από την πρίζα, όταν ο καταστροφέας εγγράφων δεν χρησιμοποιείται για μεγαλύτερο χρονικό διάστημα.

Λειτουργία αδράνειας

Όταν δεν χρησιμοποιείτε τον καταστροφέα εγγράφων για 30 λεπτά, ο καταστροφέας εγγράφων μεταβαίνει στη λειτουργία αδράνειας. Η ένδειξη κατάστασης στην μπροσινή πλευρά του καταστροφέα εγγράφων σβήνει. Η φωτεινότητα της ένδειξης κατάστασης στην πάνω πλευρά του καταστροφέα εγγράφων μειώνεται.

Για να απενεργοποιήσετε τη λειτουργία αδράνειας, εκτελέστε το παρακάτω βήμα:

1 Εισάγετε το προς τεμαχισμό υλικό κεντρικά στην τροφοδοσία.

→ Ο καταστροφέας εγγράφων είναι ξανά έτοιμος για λειτουργία.

i Εναλλακτικά πατήστε το πλήκτρο **FWD** ή το πλήκτρο **REV** του καταστροφέα εγγράφων, για να απενεργοποιήσετε τη λειτουργία αδράνειας.

Όταν κάτι δεν λειτουργεί

Οι παρακάτω υποδείξεις σας βοηθούν σε περίπτωση που κάτι δεν λειτουργεί με τον αναμενόμενο τρόπο.

Προστασία από υπερθέρμανση

Ο καταστροφέας εγγράφων απενεργοποιείται αυτόματα σε περίπτωση υπερθέρμανσης. Η ένδειξη κατάστασης ανάβει κόκκινη.

Περιμένετε να παρέλθει το χρονικό διάστημα που ορίζεται στα **τεχνικά στοιχεία**, μέχρι να κρυώσει ο καταστροφέας εγγράφων.

→ Μετά τη φάση κρυώματος η ένδειξη κατάστασης ανάβει ΜΠΛΕ.

→ Ο τεμαχισμός συνεχίζεται.

i Προσέξτε την ελάχιστη απόσταση από τον τοίχο και τα στοιχεία για τη συνεχή λειτουργία στα **τεχνικά στοιχεία**.

Προστασία από υπερφόρτωση

Αν έχετε τροφοδοτήσει περισσότερο υλικό από ό,τι ορίζεται στα τεχνικά στοιχεία, τότε η ένδειξη κατάστασης αναβοσβήνει ΚΟΚΚΙΝΗ και ο καταστροφέας εγγράφων εκτελεί για 5 δευτερόλεπτα την αυτόματη αντίστροφη λειτουργία.

1 Τραβήξτε το υλικό έξω από τον καταστροφέα εγγράφων.

→ Το μπλοκάρισμα έχει αντιμετωπιστεί.

i Αφού το υλικό αφαιρεθεί από τον καταστροφέα εγγράφων, ο μηχανισμός κοπής συνεχίζει να κινείται για 3 δευτερόλεπτα για να καθαριστεί. Περιμένετε μέχρι ο καταστροφέας εγγράφων να ακινητοποιηθεί ξανά και η ένδειξη κατάστασης να ανάψει ΜΠΛΕ.

Λάδωμα μηχανισμού κοπής

Λαδώνετε τον μηχανισμό κοπής του καταστροφέα εγγράφων σε τακτά διαστήματα, για να αυξήσετε τη διάρκεια ζωής του καταστροφέα εγγράφων.

Διατίθενται ειδικό λάδι και φύλλα λαδιού για τον καταστροφέα εγγράφων της HP.

Σημαντικό!

Υλικές ζημιές από τη χρήση λάθος λαδιών! Μην χρησιμοποιείτε λάδια ψεκασμού. Χρησιμοποιείτε αποκλειστικά ειδικό λάδι για τον καταστροφέα εγγράφων.

Έχετε διάφορες δυνατότητες για να λαδώσετε τον μηχανισμό κοπής.

Λάδωμα με χειροκίνητα λαδωμένο χαρτί:

- 1** Εφαρμόστε το ειδικό λάδι για καταστροφείς εγγράφων σε περισσότερες εγκάρσιες λωρίδες πάνω σε ένα φύλλο χαρτί.
- 2** Εισάγετε το λαδωμένο φύλλο χαρτί στην τροφοδοσία.
 - ➔ Το διαβρεγμένο με λάδι χαρτί εισέρχεται στην τροφοδοσία και λαδώνει τον μηχανισμό κοπής.

Λάδωμα με φύλλα λαδιού

- 1** Εισάγετε το χάρτινο φύλλο λαδιού στην τροφοδοσία.
 - ➔ Το διαβρεγμένο με λάδι χαρτί εισέρχεται στην τροφοδοσία και λαδώνει τον μηχανισμό κοπής.

Εκκένωση δοχείου συλλογής

Η στάθμη πλήρωσης του δοχείου συλλογής επιτηρείται από έναν αισθητήρα.

i Σε περίπτωση υψηλής στάθμης πλήρωσης η λυχνία LED κατάστασης "Δοχείο συλλογής πλήρες" αναβοσβήνει ΚΟΚΚΙΝΗ. Ο μηχανισμός κοπής του καταστροφέα εγγράφων σταματά και πρέπει να αδειάσετε το δοχείο συλλογής.

- 1** Απενεργοποιήστε τη συσκευή, πατώντας τον γενικό διακόπτη **On/Off**.
- 2** Τραβήξτε το δοχείο συλλογής έξω από τη συσκευή.
 - i** Αν δεν έχετε απενεργοποιήσει τη συσκευή, η λυχνία LED κατάστασης "Δοχείο συλλογής ανοιχτό" ανάβει ΚΟΚΚΙΝΗ.
- 3** Αδειάστε το δοχείο συλλογής.
- 4** Ωθήστε το δοχείο συλλογής μέσα στη συσκευή.
 - ➔ Το δοχείο συλλογής ασφαλίζει με χαρακτηριστικό ήχο.
 - ➔ Αδειάσατε το δοχείο συλλογής

Απομάκρυνση υπολειμμάτων υλικού

Όταν ο καταστροφέας εγγράφων δεν τεμαχίζει πλέον το υλικό με τον αναμενόμενο τρόπο, απομακρύνετε τα συσσωρευμένα υπολείμματα υλικού από τον μηχανισμό κοπής.

- 1 Πατήστε παρατεταμένα το πλήκτρο **REV**. Ο μηχανισμός κοπής κινείται αντίστροφα και απελευθερώνει το υλικό που έχει απομείνει στον μηχανισμό κοπής.
- 2 Αφήστε το πλήκτρο **REV**.
- 3 Απενεργοποιήστε τη συσκευή, πατώντας τον γενικό διακόπτη **On/Off**.
- 4 Τραβήξτε το φιν από τη πρίζα.



Προσοχή! Κίνδυνος τραυματισμού από τον αιχμηρό μηχανισμό κοπής! Κατά την απομάκρυνση των υπολειμμάτων υλικού απαιτείται αυξημένη προσοχή.

- 5 Απομακρύνετε τα υπολείμματα υλικού με κατάλληλο μυτερό αντικείμενο προσεκτικά από τον μηχανισμό κοπής.
→ Απομακρύνετε τα υπολείμματα υλικού από τον μηχανισμό κοπής.

Καθαρισμός καταστροφέα εγγράφων

Καθαρίζετε τον καταστροφέα εγγράφων σε τακτά διαστήματα.



Προσοχή! Κίνδυνος τραυματισμού από ξαφνική φλόγα! Κατά τη χρήση σπρέι πεπιεσμένου αέρα μπορεί να προκληθεί φλόγα. Ποτέ μην χρησιμοποιείτε σπρέι πεπιεσμένου αέρα.

- 1 Απενεργοποιήστε τη συσκευή, πατώντας τον γενικό διακόπτη **On/Off**.
- 2 Τραβήξτε το φιν από τη πρίζα.
- 3 Καθαρίστε τις επιφάνειες του περιβλήματος με ένα μαλακό, στεγνό πανί που δεν αφήνει χνούδι. Μην χρησιμοποιείτε σπρέι πεπιεσμένου αέρα, καθαριστικά ή διαλύτες.

Τεχνικά στοιχεία

Μοντέλο	Pro Shredder 24CC	Pro Shredder 16MC
Διαστάσεις (mm)	Π: 295 Μ: 424 Υ: 645	Π: 295 Μ: 424 Υ: 645
Επίπεδο ασφαλείας κατά DIN 66399-2.	P-4	P-5
Μέγεθος υλικού κοπής (πάχος × πλάτος, mm)	4 × 35	2 × 15
Μέγ. απόδοση κοπής (φύλλα / πιστωτική κάρτα)	24/1	16/1
Πλάτος εργασίας (mm)	220	220
Τροφοδοσία ρεύματος	220-240 V~, 50 Hz, 3.0 A, 680 W	220-240 V~, 50 Hz, 3.0 A, 680 W
Μέγ. θερμοκρασία περιβάλλοντος [°C]	25	25
Χωρητικότητα δοχείου συλλογής (l)	30	30
Βάρος (kg)	20	18,2
Ένταση (dB)	55	55
Συνεχής λειτουργία (min) / Διάρκεια κρυώματος (min)	40 / 50	40 / 50
Ταχύτητα λειτουργίας (m/min)	1.6	1.6
Είδος κοπής	Κοπή σωματιδίων	Μικροκοπή

Δηλώνουμε, ότι οι παρούσες συσκευές πληρούν κατά την καταστροφή εγγράφων τις προϋποθέσεις των επιπέδων ασφαλείας P-4 και P-5 κατά DIN 66399.

P-4: Συνιστάται για μέσα αποθήκευσης δεδομένων με ιδιαίτερα ευαίσθητα και εμπιστευτικά δεδομένα. Επιφάνεια υλικών σωματιδίων $\leq 160 \text{ mm}^2$ και για κανονικά σωματίδια: πλάτος λωρίδων $\leq 6 \text{ mm}$ (π.χ. σωματίδια $4 \times 40 \text{ mm}$).

P-5: Συνιστάται για μέσα αποθήκευσης δεδομένων με απόρρητα δεδομένα. Επιφάνεια υλικών σωματιδίων $\leq 30 \text{ mm}^2$ και για κανονικά σωματίδια: πλάτος λωρίδων $\leq 2 \text{ mm}$ (π.χ. σωματίδια $2 \times 15 \text{ mm}$).

Αποκομιδή



Το παρακείμενο σύμβολο σημαίνει ότι οι ηλεκτρικές και ηλεκτρονικές παλιές συσκευές και οι μπαταρίες θα πρέπει να απορρίπτονται ξεχωριστά από τα οικιακά απορρίμματα, λόγω της ισχύουσας νομοθεσίας. Απορρίψτε τη συσκευή στο σημείο συλλογής του δημοτικού φορέα διαχείρισης απορριμμάτων.



Προσέξτε τη σήμανση του υλικού συσκευασίας κατά την ταξινόμηση των απορριμμάτων, τα οποία επισημαίνονται με συντομογραφίες (b) και αριθμούς (a) με την παρακάτω επεξήγηση: 1–7: πλαστικά / 20–22: χαρτί και χαρτόνι / 80–98: σύνθετα υλικά.



Απορρίψτε τα υλικά συσκευασίας σύμφωνα με τους τοπικούς κανονισμούς.



Η συσκευασία αποτελείται από φιλικό προς το περιβάλλον υλικό, το οποίο μπορείτε να απορρίψετε στα τοπικά σημεία ανακύκλωσης. Ενημερωθείτε από τον δήμο σας για τις επιλογές σωστής απόρριψης.



Η συσκευή και το υλικό συσκευασίας είναι ανακυκλώσιμα, απορρίψτε τα ξεχωριστά για καλύτερη διαχείριση των απορριμμάτων. Το λογότυπο Triplan ισχύει μόνο για τη Γαλλία.



Η συσκευή και το υλικό συσκευασίας είναι ανακυκλώσιμα, απορρίψτε τα ξεχωριστά για καλύτερη διαχείριση των απορριμμάτων. Ενημερωθείτε από τον δήμο σας για τις επιλογές σωστής απόρριψης. Προσέξτε την παρακάτω σήμανση του υλικού συσκευασίας: (a) αριθμοί, (b) συντομογραφίες και (c) υλικό με την παρακάτω επεξήγηση: 1–7: πλαστικά / 20–22: χαρτί και χαρτόνι / 80–98: σύνθετα υλικά και (d) είδος της συσκευασίας. Το λογότυπο ισχύει μόνο για την Ιταλία.

Υπόδειξη για την αποθήκευση

Μετά τη χρήση ο καταστροφέας εγγράφων πρέπει να αποθηκευτεί σε ασφαλές σημείο. Προσέξτε τις παρακάτω υποδείξεις:

Αποθηκεύετε τον καταστροφέα εγγράφων

- μόνο στην αρχική συσκευασία
- σε ένα στεγνό, καθαρό μέρος
- μόνο σε κρύα κατάσταση

Ερωτήσεις και σέρβις

Αξιότιμε πελάτη,

Χαιρόμαστε που επιλέξατε αυτή τη συσκευή.

Σε περίπτωση βλάβης επιστρέψτε παρακαλώ αυτή τη συσκευή μαζί με την απόδειξη αγοράς της και συσκευασμένη στη γνήσια συσκευασία της εκεί όπου την αγοράσατε.

Περισσότερες πληροφορίες διατίθενται στην περιοχή Επικοινωνία & Σέρβις στη διαδικτυακή σελίδα www.hp.com/officeequipment.

Δήλωση συμμόρφωσης

CE Η σήμανση CE στη συσκευή επιβεβαιώνει τη συμμόρφωση.

Η δήλωση συμμόρφωσης διατίθεται στη διεύθυνση www.hp.com/officeequipment.

UK Η σήμανση UKCA στη συσκευή επιβεβαιώνει τη συμμόρφωση.

CA Η δήλωση συμμόρφωσης διατίθεται στη διεύθυνση www.hp.com/officeequipment.

Κατασκευαστής

GO Europe GmbH
Zum Kraftwerk 1
D-45527 Hattingen
Γερμανία

Pročitajte upute za uporabu



Pažljivo pročitajte ove upute za uporabu i slijedite ih prilikom rukovanja Vašim uništavačem dokumenata. Sačuvajte ove upute za slučaj da će Vam trebati kasnije.

Uporaba u skladu s namjenom

Vaš uništavač dokumenata prikladan je za usitnjavanje papira, kreditnih kartica, uredskih spajalica i spajalica za papir. Uništavač dokumenata prikladan je isključivo za privatnu uporabu u zatvorenim prostorijama.

SVAKA drugačija uporaba smatra se neispravnom. Samoinicijativne promjene ili zahvati na stroju nisu dozvoljeni te kao posljedicu mogu imati gubitak garancijskog prava.

Slijedite sigurnosne upute

Pročitajte i imajte na umu upozorenja kako biste zaštitili sebe i okolinu.



Upozorenje!

Opasnost od ozljeda koje može uzrokovati uvlačni mehanizam. Labave predmete može zahvatiti uvlačni mehanizam, što može uzrokovati ozljede. Prste, kosu, šalove, kravate, nakit i sl. držite podalje od utora za umetanje materijala.



Upozorenje!

Opasnost od ozljeda uslijed strujnog udara. Pogrešno rukovanje uništavačem dokumenata može izazvati strujni udar. Samoinicijativne promjene ili zahvati na uništavaču dokumenata nisu dozvoljeni. Nemojte koristiti uništavač dokumenata ako je oštećen mrežni kabel. Ako postoje oštećenja na Vašem uništavaču dokumenata ili ako ne radi ispravno, odmah ga isključite i izvucite mrežni utikač. Rabite isključivo mrežni kabel koji ste dobili s uređajem.

Preпустите поправке стручном особљу. Postavite uništavač dokumenata u blizini lako dostupne utičnice kako biste ga u hitnim slučajevima mogli brzo iskopčati iz struje. Uređaj nikada ne dodirujte mokrim rukama. Izbjegavajte svaki kontakt s vodom.

Kada ne koristite uređaj, obavezno izvucite mrežni utikač. Rabite isključivo mrežni kabel koji ste dobili s uređajem.



Upozorenje!

Opasnost od gušenja malim dijelovima, ambalažnim materijalom ili zaštitnom folijom. Djeca mogu progutati male dijelove, ambalažni materijal ili zaštitnu foliju. Držite djecu podalje od uređaja i njegove ambalaže.

**Upozorenje!**

Djeca starija od osam godina i osobe s ograničenim psihičkim, senzoričkim i duševnim sposobnostima, kao i osobe koje nemaju dovoljno iskustva i/ili znanja, smiju koristiti ovaj uređaj uz nadzor ili ako su upućeni kako koristiti uređaj na siguran način te su upoznati s mogućim opasnostima. Djeca se ne smiju igrati ovim uređajem. Čišćenje i održavanje uređaja ne smiju izvoditi djeca bez nadzora odraslih.

**Oprez!**

Opasnost od spoticanja o neprikladno razvučeni mrežni kabel. Razvucite mrežni kabel tako da se o njega nitko ne može spotaknuti. Pazite da ne dođe do oštećenja na mrežnom utikaču i mrežnom kabelu.

**Važno!**

Moguć je nastanak materijalnih šteta. Izbjegavajte utjecaje okoline kao što su, primjerice, dim, prašina, trešnja, kemikalije, vlaga, vrućina ili izravna izloženost sunčevim zrakama.

Rabite uništavač dokumenata samo u zatvorenim prostorijama i unutar dopuštenih uvjeta okoline navedenih u tehničkim podacima.

Kako bi Vaš uništavač dokumenata uvijek radio onako kako očekujete, slijedite sljedeće upute.



Prije puštanja u rad pročitajte upute za uporabu.



Ako imate dugu kosu, držite je podalje od uređaja.



Labave dijelove odjeće, nakit ili druge labave predmete držite podalje od Vašeg uništavača dokumenata.



Držite kravate i šalove podalje od Vašeg uništavača dokumenata.



Općenite informacije o mogućim opasnostima koje zahtijevaju posebnu pozornost.



Nikada ne posežite izravno u uvlačni mehanizam.



Djecu i domaće životinje držite podalje od Vašeg uništavača dokumenata.



Nemojte raspršivati zapaljive plinove u smjeru Vašeg uništavača dokumenata. Nikada nemojte koristiti sprejeve pod tlakom.



Pazite na najveći dozvoljeni broj stranica (vidi Tehnički podaci).

**Oprez!**

Opasnost od ozljeda od oštrica mehanizma za rezanje!



Upozorenje!

Ovaj uređaj nije predviđen da ga koriste djeca. Izbjegavajte otvore za uvlačenje dodirivati rukama, odjećom ili kosom.

Izvucite mrežni utikač, kada uređaj duže vremena ne koristite. U ovom uređaju se nalaze opasni pokretni dijelovi, držite dijelove tijela udaljeno od pokretnih dijelova.



Rabite proizvod isključivo u zatvorenim prostorima. .



Kreditne kartice umećite isključivo okomito.



Pečat «Provjerena sigurnost» (oznaka GS) potvrđuje da proizvod ispunjava zahtjeve njemačkog Zakona o sigurnosti proizvoda (ProdSG).

Oznaka GS označava da sigurnost i zdravlje nisu ugroženi ako se proizvod koristi kako je predviđeno i ako se koristi na predvidljivo pogrešan način. Riječ je o dobrovoljnoj sigurnosnoj oznaci koju je izdao odgovarajući institut za ispitivanje.

Provjerite sadržaj ambalaže

Prije puštanja u rad Vašeg uništavača dokumenata provjerite sadržaj njegove ambalaže.

Ako nešto nedostaje ili je oštećeno, ni u kojem slučaju nemojte uključivati Vaš uništavač dokumenata. Kontaktirajte naš servis.

- 1 uništavač papira Pro Shredder 24CC ili Pro Shredder 16MC sa spremnikom za rezani papir
- 1 upute za upotrebu

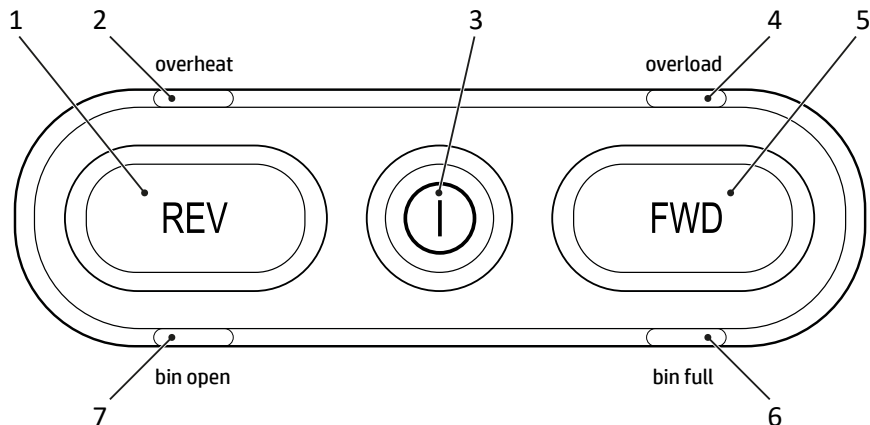
- 1 mrežni kabel
- 1 list uljnog papira

Dijelovi Vašeg uništavača dokumenata

Na sljedećoj slici prikazani su dijelovi Vašeg uništavača dokumenata.



1	Komandne tipke / prikaz statusa	5	Ručka
2	Utor	6	Kontrolno okno / ručka
3	Rezna jedinica	7	Spremnik
4	Prikaz statusa naprijed	8	Koloturi



1	Tipka hod natrag	5	Tipka hod naprijed
2	Status-LED za prikaz pregrijavanja	6	Status-LED spremnik pun
3	Glavna sklopka uklj./isklj.	7	Status-LED spremnik otvoren
4	Status-LED prepunjeno		

Postavljanje uništavača dokumenata i puštanje u rad

Vaš uništavač dokumenata funkcioniira samo sa spremnikom. Nemojte postavljati uništavač dokumenata u blizini izvora topline. Ostavite razmak do zida od najmanje 10 cm. Zahvaljujući tome će se uređaj moći dostatno ohladiti.

- 1 Postavite uništavač dokumenata u stabilan položaj na ravnoj, horizontalnoj površini i u blizini lako dostupne utičnice.
- 2 Gurnite spremnik u uređaj. Spremnik će se uklopiti uz karakterističan zvuk. Ako spremnik nije ispravno umetnut u uređaj, uništavač dokumenata nije moguće uključiti.

i Rabite isključivo kabel koji ste dobili s uređajem.

- 3 Utaknite mrežni kabel u uređaj.
- 4 Uključite mrežni utikač u utičnicu.
- 5 Uključite uređaj pritiskom na glavnu sklopku **uklj./isklj.**
 - ➔ Prikaz statusa svijetli PLAVOM bojom.
 - ➔ Vaš uništavač dokumenata sada je spreman za rad.

Rukovanje uništavačem dokumenata

Vaš uništavač dokumenata radi s automatskim usitnjavanjem. Upravljanje uništavačem dokumenata vrši se putem komandnih tipki na gornjoj strani uređaja.

 Uništavač dokumenata na prednjoj strani je opremljen dodatnim prikazom statusa. Ovaj prikaz statusa prikazuje prikaze tipki i LED svjetiljki koje se nalaze na gornjoj strani.

Automatsko usitnjavanje materijala

Pazite na najveći dozvoljenu snagu rezanja i druge specifikacije navedene u **Tehničkim podacima**.



Upozorenje!

Ovaj uređaj nije predviđen da ga koriste djeca. Izbjegavajte otvore za uvlačenje dodirivati rukama, odjećom ili kosom. Izvucite mrežni utikač, kada uređaj duže vremena ne koristite. U ovom uređaju se nalaze opasni pokretni dijelovi, držite dijelove tijela udaljeno od pokretnih dijelova.

Važno!

Materijalne štete uzrokovane zaglavljivanjem materijala! Pazite na najveću snagu rezanja mehanizma za uvlačenje.

- 1 Materijal koji želite usitniti postavljajte po sredini utora.
 - ➔ Utor uvlači materijal i zaustavlja se kada nema više materijala.

Ručno usitnjavanje materijala

U rijetkim se slučajevima može dogoditi da senzori ne prepoznaju umetnuti materijal.

- 1 Pritisnite i držite tipku **FWD**.
 - ➔ Materijal se uvlači ručno i usitnjava.
- 2 Pustite tipku **FWD**.

Isključivanje uništavača dokumenata

Ako više nećete koristiti uređaj, isključite ga.

- 1 Isključite uređaj pritiskom na glavnu sklopku **uklj./isklj.**
 - ➔ Isključili ste uništavač dokumenata.
- 2 Ako uništavač dokumenata nećete koristiti dulje vrijeme, izvucite mrežni utikač iz utičnice.

Stanje spavanja

Ako Vaš uništavač dokumenata ne koristite 30 minuta, uređaj će prijeći u stanje spavanja. Prikaz statusa s prednje stanje uništavača dokumenata će se isključiti. Prikaz statusa s gornje strane uništavača dokumenata će se zatamniti.

Za isključivanje stanja spavanja napravite sljedeće:

- 1 Materijal koji želite usitniti postavljajte po sredini utora.
 - ➔ Uništavač dokumenata je ponovno spreman za rad.

i Za isključivanje stanja spavanja alternativno možete pritisnuti tipku **FWD** ili tipku **REV** na Vašem uništavaču dokumenata.

Ako nešto ne radi kako treba

Sljedeće informacije pomoći će Vam u slučaju kada nešto ne radi onako kako očekujete.

Zaštita od pregrijavanja

Uređaj se u slučaju pregrijavanja automatski isključuje. Prikaz statusa svijetli **CRVENOM** bojom.

Pričekajte vrijeme navedeno u Tehničkim podacima, dok se uništavač dokumenata ne ohladi.

- ➔ Nakon hlađenja prikaz statusa svijetli plavom bojom.
- ➔ Nastavlja se usitnjavanje.

i Pazite na minimalni razmak do zida i na podatke o radu bez prekida iz **Tehničkih podataka**.

Zaštita od preopterećenja

Ako ste umetnuli više materijala nego što je navedeno u **Tehničkim podacima**, prikaz statusa svijetlit će crvenom bojom te će uništavač dokumenata nakon 5 sekundi pokrenuti automatski povrat materijala.

- 1 Izvucite materijal iz uređaja.
 - ➔ Aktivirali ste blokadu.

i Nakon što ste iz uređaja uklonili materijal, rezna jedinica će nastaviti s radom 3 sekunde kako bi se očistila. Pričekajte da se uništavač dokumenata zaustavi i prikaz statusa zasvijetli **PLAVOM** bojom.

Podmazivanje rezne jedinice uljem

Redovito podmazujte reznu jedinicu uljem, kako biste produžili njezin vijek trajanja.

Postoji specijalno ulje i uljni papiri za podmazivanje uništavača dokumenata od tvrtke HP.

Važno!

Materijalne štete uslijed uporabe pogrešnih ulja! Ne koristite rasprskivajuća ulja. Koristite isključivo specijalno ulje namijenjeno za uništavače dokumenata.

Postoje različite mogućnosti kako podmazati reznu jedinicu.

Podmazivanje papirom koji ste sami nauljili:

- 1 Nanesite specijalno ulje za uništavače dokumenata u više poprečnih linija na list papira.
- 2 Nauljeni list papira umetnite u utor.
 - ➔ Papir premazan uljem uvući će se i podmazati reznu jedinicu.

Podmazivanje uljnim listovima

- 1 Umetnite uljni papir u utor.
 - ➔ Papir premazan uljem uvući će se i podmazati reznu jedinicu.

Pražnjenje spremnika

Razinu punjena spremnika nadzire senzor.

i Kod visokog stanja punjenja statusni LED prikaz „Spremnik pun“ svijetli CRVENO. Rezni mehanizam uništavača dokumenata se zaustavlja i morate isprazniti spremnik.

1 Isključite uređaj pritiskom na glavnu sklopku **uklj./isklj.**

2 Izvucite spremnik iz uređaja.

i Ukoliko niste isključili uređaj, statusni LED prikaz svijetli „Spremnik otvoren“ CRVENO.

3 Ispraznite spremnik.

4 Gurnite spremnik u uređaj.

➔ Spremnik će se uklopiti uz karakterističan zvuk.

➔ Ispraznili ste spremnik

Uklanjanje ostataka materijala

Ako Vaš uništavač dokumenata više ne usitnjava materijal onako kako biste očekivali, uklonite zaostale ostatke materijala iz rezne jedinice.

- 1 Pritisnite i držite tipku **REV**. Rezna jedinica radi unatrag i oslobađa zaostali materijal.
- 2 Pustite tipku **REV**.
- 3 Isključite uređaj pritiskom na glavnu sklopku **uklj./isklj.**
- 4 Izvucite utikač iz utičnice.



Oprez!

Opasnost od ozljeda od oštrica mehanizma za rezanje! Budite posebno oprezni prilikom uklanjanja ostataka materijala.

- 5 Ostatke materijala oprezno uklonite iz rezne jedinice pomoću prikladnog oštrog predmeta.
→ Ostatke materijala ste uklonili iz reznog mehanizma.

Čišćenje uništavača dokumenata

Redovito čistite uništavač dokumenata.



Oprez!

Opasnost od ozljeda uzrokovanih plamenim jezikom! Kod uporabe spreja pod tlakom može doći do stvaranja plamenog jezika. Nikada nemojte koristiti sprejeve pod tlakom.

- 1 Isključite uređaj pritiskom na glavnu sklopku **uklj./isklj.**
- 2 Izvucite utikač iz utičnice.
- 3 Površine kućišta čistite mekom i suhom krpom koja ne ostavlja vlakna. Nemojte koristiti sprejeve pod tlakom, sredstva za pranje i otapala.

Tehnički podaci

Model	Pro Shredder 24CC	Pro Shredder 16MC
Dimenzije (mm)	Š: 295 D: 424 V: 645	Š: 295 D: 424 V: 645
Stupanj sigurnosti prema normi DIN 66399-2.	P-4	P-5
Krupni rezani materijal (debljina × širina, mm)	4 × 35	2 × 15
Najveća snaga rezanja (listovi / kreditna kartica)	24/1	16/1
Radna širina (mm)	220	220
Napajanje strujom:	220-240 V~, 50 Hz, 3.0 A, 680 W	220-240 V~, 50 Hz, 3.0 A, 680 W
Najviša temperatura okoline [°C]	25	25
Zapremnina spremnika (l)	30	30
Težina (kg)	20	18,2
Buka (dB)	55	55
Neprekidan rad (min) / vrijeme hlađenja (min)	40 / 50	40 / 50
Radna brzina (m/min)	1.6	1.6
Način rezanja	Križni rez	Mikrorez

Izjavljujemo da ovi uređaji ispunjavaju zahtjeve razine sigurnosti P-4 i P-5 prema DIN 66399 kada su dokumenti uništeni.

P-4: Preporučuje se za nosače podataka s osjetljivim i povjerljivim podacima. Površina čestica materijala ≤ 160 mm² i za uobičajene čestice: širina trake ≤ 6 mm (npr. čestica 4 × 40 mm).

P-5: Preporučuje se za nosače podataka s povjerljivim podacima. Površina čestica materijala ≤ 30 mm² i za uobičajene čestice: širina trake ≤ 2 mm (npr. čestica 2 × 15 mm).

Zbrinjavanje



Simbol pored znači da se stari električni i elektronički uređaji

zbog zakonskih propisa moraju zbrinjavati odvojeno od otpada iz kućanstva. Zbrinite Vaš uređaj na sabirnom mjestu Vašeg komunalnog poduzeća za zbrinjavanje otpada.



Prilikom odvajanja otpada obratite pažnju na oznake na ambalažnom materijalu, odnosno kratice (b) i brojeve (a) sa sljedećim značenjem: 1–7: plastika / 20–22: papir i karton / 80–98: kompozitni materijali.



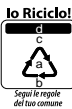
Zbrinite ambalažni materijal u skladu s lokalnim propisima.



Ambalaža je napravljena od materijala koji ne štete okolišu i koje možete zbrinuti preko lokalnih reciklažnih dvorišta. Raspitajte se kod lokalnih vlasti o mogućnostima ispravnog zbrinjavanja.



Uređaj i ambalažni materijal mogu se reciklirati, stoga ih radi bolje obrade otpada zbrinjajte odvojeno. Logotip Triman vrijedi samo za Francusku.



Uređaj i ambalažni materijal mogu se reciklirati, stoga ih radi bolje obrade otpada zbrinjajte odvojeno. Raspitajte se kod lokalnih vlasti o mogućnostima ispravnog zbrinjavanja. Prilikom odvajanja otpada obratite pažnju na oznake na ambalažnom materijalu, (a) brojeve, (b) kratice i (c) materijal sa sljedećim značenjem: 1–7: plastika / 20–22: papir i karton / 80–98: kompozitni materijali, kao i (d) vrsta ambalaže. Logotip vrijedi samo za Italiju.

Upute za spremanje

Uništavač dokumenata nakon uporabe treba spremati na siguran način. Slijedite sljedeće upute:

Čuvajte uništavač dokumenata

- isključivo u originalnom pakovanju
- na suhom i čistom mjestu
- isključivo u ohlađenom stanju

Pitanja i servis

Poštovani kupče,

veseli nas što ste se odlučili za ovaj uređaj. U slučaju kvara uređaj zajedno sa potvrdom o kupnji i u originalnoj ambalaži odnesite u trgovinu, u kojoj ste ga kupili.

Dotadne informacije također su dostupne u dijelu Kontakt & servis na našoj web stranici **www.hp.com/officeequipment**.

Izjava o sukladnosti

CE Znak CE na uređaju označava sukladnost.

Izjava o sukladnosti dostupna je na **www.hp.com/officeequipment**.

UK Oznaka UKCA na uređaju potvrđuje sukladnost.

CA Izjava o sukladnosti dostupna je na **www.hp.com/officeequipment**.

Proizvođač

GO Europe GmbH
Zum Kraftwerk 1
D-45527 Hattingen
Njemačka

A kezelési útmutató elolvasása



Figyelmesen olvassa el a kezelési útmutatót, és vegye figyelembe az utasításokat az iratmegsemmisítő kezelése során. A kezelési útmutatót őrizze meg későbbi felhasználás céljából.

Rendeltetésszerű használat

Az iratmegsemmisítő papír, bankkártya, gémkapocs és tűzőkapocs aprítására alkalmas. Az iratmegsemmisítő kizárólag otthoni, zárt térben történő használatra alkalmas.

Minden más jellegű használat nem rendeltetésszerű. Tilos a készülék átalakítása vagy átépítése és a szavatosság megszűnését vonja magával.

Vegye figyelembe a biztonsági tudnivalókat

Önmaga és a környezet védelme érdekében olvassa el és vegye figyelembe a figyelmeztető tudnivalókat.



Figyelmeztetés!

Sérülésveszély a behúzómechanizmus miatt. A lelógó tárgyak becsípődhetnek a behúzóba és sérülést okozhatnak. Tartsa távol az ujját, haját, sálját, nyakkendőjét, ékszerét stb. a behúzótól.



Figyelmeztetés!

Áramütés miatti sérülés veszélye. Az iratmegsemmisítő hibás kezelése áramütéshez vezethet. Tilos az iratmegsemmisítő bármilyen önkényes módosítása vagy átalakítása. Ne üzemeltesse az iratmegsemmisítőt sérült hálózati kábellel. Sérülés vagy rendellenes működés esetén azonnal kapcsolja ki az iratmegsemmisítőt, és húzza ki a csatlakozódugót a csatlakozóaljzatból. Kizárólag a mellékelt hálózati kábelt használja.

A javításokat csak képzett szakemberrel végeztesse. Az iratmegsemmisítőt könnyen hozzáférhető csatlakozóaljzat közelében helyezze el, így vészhelyzet esetén gyorsan leválaszthatja az elektromos hálózatról. Soha ne fogja meg nedves kézzel az iratmegsemmisítőt. Kerülje a készülék vízzel való mindenfajta érintkezését.

Mindig húzza ki a hálózati csatlakozót, ha nem használja a készüléket. Kizárólag a mellékelt hálózati kábelt használja.



Figyelmeztetés!

Fulladásveszély az apró alkatrészek, csomagolóanyagok vagy védőfóliák miatt. Gyermekek lenyelhetik az apró alkatrészeket, illetve a csomagolóanyagok és védőfóliák darabjait. Tartsa távol a gyermekeket a készüléktől és csomagolásától.

**Figyelmeztetés!**

A készüléket nyolc éves vagy annál idősebb gyermekek, illetve fizikai, érzékelési vagy mentális képességeikben korlátozott személyek, valamint a kellő tudással és tapasztalattal nem rendelkező személyek is használhatják, amennyiben felügyeletük biztosított, vagy ha felvilágosították őket a készülék biztonságos használatáról, illetve az abból eredő veszélyekről. Gyermekek nem játszhatnak a készülékkel. A készülék tisztítását és felhasználói karbantartását gyermekek nem végezhetik felügyelet nélkül.

**Vigyázat!**

Botlásveszély a hálózati kábel szakszerűtlen elhelyezése következtében. Úgy helyezze el a hálózati kábelt, hogy senki ne botolhasson meg benne. Ügyeljen arra, hogy a csatlakozódugó és a hálózati kábel ne sérülhessen meg.

**Fontos!**

Anyagi károk veszélye. Ne tegye ki a készüléket környezeti behatásoknak, amilyen pl. a füst, por, rázkódás, vegyszerek, nedvesség, hő vagy közvetlen napsugárzás.

Käytä asiakirjasilppuria vain suljetuissa tiloissa ja teknisissä tiedoissa mainituissa sallituissa ympäristöolosuhteissa.

Az alábbi tudnivalók figyelembevételére segítségére lesz abban, hogy iratmegsemmisítője mindig úgy működjön, ahogyan azt Ön elvárja.



Használatbavétel előtt olvassa el a kezelési útmutatót.



Tartsa távol a hosszú hajat az iratmegsemmisítőtől.



A ruházat kilógó részeit, az ékszereket vagy más lelógó tárgyakat tartsa távol az iratmegsemmisítőtől.



Tartsa távol a nyakkendőket és a sálakat az iratmegsemmisítőtől.



Különös figyelmet igénylő, lehetséges veszélyekkel kapcsolatos általános tudnivalók



Soha ne nyúljon közvetlenül a behúzóba.



A gyermekeket és háziállatokat tartsa távol az iratmegsemmisítőtől.



Ne permetezzen gyúlékony gázokat az iratmegsemmisítő irányába. Soha ne használjon sűrített levegő sprayt.



Vegye figyelembe a maximális lapszámot (lásd műszaki adatok).

**Vigyázat!**

Sérülésveszély az éles vágómű miatt!



Figyelmeztetés!

Ezt a készüléket nem gyermekek által történő használatra tervezték. Ügyeljen arra, hogy se a keze, haja vagy ruhája ne érjen a behúzónyíláshoz. Húzza ki a csatlakozódugót, ha hosszabb ideig nem használja a készüléket. Ez a készülék veszélyes mozgó alkatrészeket tartalmaz. Ne tartózkodjon a mozgó alkatrészek közelében.

A terméket csak beltéren üzemeltesse.



Bankkártyákat csak függőlegesen helyezzen be.



A „Geprüfte Sicherheit” jelölés (GS-embléma) tanúsítja, hogy a termék megfelel a német termékbiztonsági törvény (ProdSG) előírásainak.

A GS-embléma azt jelzi, hogy a jelöléssel ellátott termék rendeltetésszerű használat és észszerűen előre látható hibás használat esetén nem jelent veszélyt a használó biztonságára és egészségére. A gyártó önkéntesen helyezi el a terméken a biztonsági jelölést, amelyet megfelelő vizsgálati testület állít ki.

A csomagolás tartalmának ellenőrzése

Az iratmegsemmisítő üzembe helyezése előtt ellenőrizze a csomag tartalmát.

Ha valami hiányzik vagy megsérült, semmiképpen ne helyezze üzembe az iratmegsemmisítőt. Forduljon szervizünkhöz.

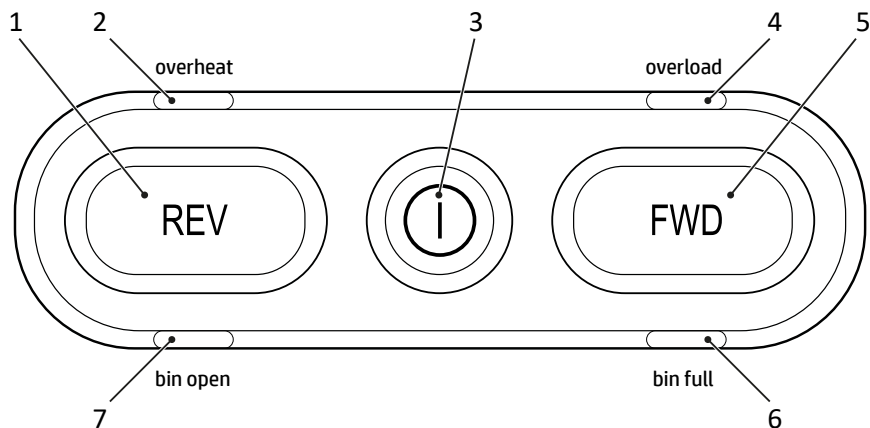
- 1 Pro Shredder 24CC vagy Pro Shredder 16MC iratmegsemmisítő az apríték felfogására szolgáló gyűjtőtartállyal
- 1 kezelési útmutató
- 1 hálózati kábel
- 1 lap paraffinált papír

Az iratmegsemmisítő részei

A következő ábrán láthatók az iratmegsemmisítő részei.



1	Kezelőgombok / állapotkijelző	5	Fogantyú
2	Behúzó	6	Fogantyú / kémlelőablak
3	Vágómű	7	Gyűjtőtartály
4	Állapotkijelző elől	8	Görgők



1	Hátramenet gomb	5	Előremenet gomb
2	Túlmelegedés állapotjelző LED	6	Gyűjtőtartály tele állapotjelző LED
3	Be/ki főkapcsoló	7	Gyűjtőtartály nyitva állapotjelző LED
4	Túltöltés állapotjelző LED		

Az iratmegsemmisítő felállítása és üzembe helyezése

Az iratmegsemmisítő csak a gyűjtőtartállyal együtt működik. Az iratmegsemmisítőt ne hőforrás közelében és a faltól legalább 10 cm távolságra helyezze el. Így biztosított a megfelelő hűtés.

- 1 Az iratmegsemmisítőt stabilan állítsa fel egy sima, vízszintes felületre, egy könnyen hozzáférhető csatlakozóaljzat közelében.
- 2 Csúsztassa a gyűjtőtartályt a készülékbe. A gyűjtőtartály hallhatóan bepattan. Ha a gyűjtőtartály nem illeszkedik megfelelően a készülékbe, az iratmegsemmisítő nem kapcsolható be.

i Kizárólag a mellékelt hálózati kábelt használja.

- 3 Csatlakoztassa a hálózati kábelt a készülékhez.
- 4 Csatlakoztassa a csatlakozódugót a csatlakozóaljzatba.
- 5 A **Be/ki** főkapcsoló megnyomásával kapcsolja be a készüléket.

→ Az állapotkijelző KÉKEN világít.

→ Üzembe helyezte az iratmegsemmisítőt.

Az iratmegsemmisítő kezelése

Az iratmegsemmisítő automatikus aprítással működik. Az iratmegsemmisítőt a készülék tetején lévő kezelőgombokkal lehet működtetni.

i Az iratmegsemmisítő előoldalán egy további állapotjelző található. Ez az állapotjelző a készülék tetején lévő gombok és LED-ek kijelzéseiről tájékoztat.

Anyagok automatikus aprítása

Vegye figyelembe a maximális vágásteljesítményt és a **műszaki adatoknál** megadott további részleteket.



Figyelmeztetés!

Ezt a készüléket nem gyermekek által történő használatra tervezték. Ügyeljen arra, hogy se a keze, haja vagy ruhája ne érjen a behúzónyíláshoz. Húzza ki a csatlakozódugót, ha hosszabb ideig nem használja a készüléket. Ez a készülék veszélyes mozgó alkatrészeket tartalmaz. Ne tartózkodjon a mozgó alkatrészek közelében.

Fontos!

Anyagi károk az anyag elakadása következtében! Vegye figyelembe a behúzó maximális vágási teljesítményét.

- 1 Az aprítani kívánt anyagot középre igazítva helyezze be a behúzóba.
 - ➔ A behúzó behúzza az anyagot és leáll, ha megszűnik az anyag adagolása.

Anyagok kézi aprítása

Ritkán előfordulhat, hogy az érzékelők nem ismerik fel a behelyezett anyagot.

- 1 Nyomja meg és tartsa lenyomva az **FWD** gombot.
 - ➔ Megtörténik az anyag kézi behúzása és felaprítása.
- 2 Engedje el az **FWD** gombot.

Az iratmegsemmisítő kikapcsolása

Ha már nem használja az iratmegsemmisítőt, kapcsolja ki.

- 1 A **Be/ki** főkapcsoló megnyomásával kapcsolja ki a készüléket.
 - ➔ Kikapcsolta az iratmegsemmisítőt.
- 2 Húzza ki a csatlakozódugót a csatlakozóaljzatból, ha az iratmegsemmisítőt hosszabb ideig nem használja.

Alvó mód

Az iratmegsemmisítő alvó módba lép, amennyiben 30 percen keresztül nem használja. Az iratmegsemmisítő elülső oldalán lévő állapotkijelző kialszik. Az iratmegsemmisítő felső oldalán lévő állapotkijelző fénye tompítottá válik.

Az alvó mód kikapcsolásához hajtsa végre az alábbi lépéseket:

1 Az aprítani kívánt anyagot középre igazítva helyezze be a behúzóba.

→ Az iratmegsemmisítő ismét üzemkész.

i Alternatív megoldásként nyomja meg az **FWD** vagy **REV** gombot az alvó mód kikapcsolásához.

Ha valami nem működik

A következő utasítások segítenek Önnek, ha valami nem úgy működik, ahogyan várta.

Túlmelegedés elleni védelem

Az iratmegsemmisítő túlmelegedés esetén automatikusan kikapcsol. Az állapotkijelző PIROSAN világít.

Várja ki a **műszaki adatokban** megadott időpontot, amíg az iratmegsemmisítő lehűl.

→ A lehűlési fázis után az állapotkijelző KÉKEN világít.

→ Az aprítás folytatódik.

i Ügyeljen a falhoz képesti minimális távolságra és vegye figyelembe a folyamatos működésre vonatkozóan a **műszaki adatokban** megadottakat.

Túlterhelés elleni védelem

Amennyiben több anyagot helyezett be, mint amennyi a **műszaki adatoknál** meg van adva, az állapotkijelző pirosan villog, és az iratmegsemmisítő elindítja az automata fordított üzemmódot 5 másodperc erejéig.

1 Húzza ki az anyagot az iratmegsemmisítőből.

→ Megszüntette az elakadást.

i Miután az anyag eltávolításra került az iratmegsemmisítőből, a vágómű 3 percig tovább mozog és ezáltal megtisztítja önmagát. Várjon, amíg az iratmegsemmisítő újból leáll, és az állapotkijelző KÉKEN világít.

A vágómű olajozása

Az iratmegsemmisítő élettartamának meghosszabbítása céljából rendszeres időközönként olajozza meg a vágóművet.

Kapható speciális olaj és paraffinált papír a HP iratmegsemmisítőhöz.

Fontos!

Anyagi károk veszélye nem megfelelő olajok használata esetén! Ne használjon olajspray-t. Kizárólag az iratmegsemmisítőhöz való speciális olajat használjon.

A vágóművet többféleképpen megolajozhatja.

Olajozás olajozott papírral:

- 1 Az iratmegsemmisítőhöz való speciális olajat több keresztirányú csíkban vigye fel egy papírlapra.
- 2 Helyezze be az olajozott papírlapot a behúzóba.
 - ➔ Az olajjal átitatott papírt a készülék behúzza, így megolajozza a vágóművet.

Olajozás paraffinált papírlapokkal

- 1 Helyezze be a paraffinált papírt a behúzóba.
 - ➔ Az olajjal átitatott papírt a készülék behúzza, így megolajozza a vágóművet.

A gyűjtőtartály ürítése

A gyűjtőtartály telítettségét egy érzékelő felügyeli.

i Ha a gyűjtőtartály hamarosan megtelik, a „Gyűjtőtartály tele” állapotjelző LED PIROSAN világít. Az iratmegsemmisítő vágóműve leáll, és ki kell ürítenie a gyűjtőtartályt.

1 A **Be/ki** főkapcsoló megnyomásával kapcsolja ki a készüléket.

2 Húzza ki a gyűjtőtartályt a készülékből.

i Ha nem kapcsolta ki a készüléket, a „Gyűjtőtartály nyitva” állapotjelző LED PIROSAN világít.

3 Ürítse ki a gyűjtőtartályt.

4 Csúsztassa a gyűjtőtartályt a készülékbe.

➔ A gyűjtőtartály hallhatóan bepattan.

➔ Sikeresen kiürítette a gyűjtőtartályt.

Anyagdarabkák eltávolítása

Ha az iratmegsemmisítő már nem az elvártaknak megfelelően aprítja fel az anyagot, akkor távolítsa el az ott maradt anyagdarabkákat a vágóműből.

- 1 Nyomja meg és tartsa lenyomva a **REV** gombot. A vágómű visszafelé mozog, és szabaddá teszi a benne maradt anyagot.
- 2 Engedje el a **REV** gombot.
- 3 A **Be/ki** főkapcsoló megnyomásával kapcsolja ki a készüléket.
- 4 Húzza ki a hálózati csatlakozódugót a csatlakozóaljzatból.



Vigyázat! Sérülésveszély az éles vágómű miatt! Az anyagmaradványok eltávolítását különösen óvatosan végezze.

- 5 Egy erre alkalmas hegyes tárgyval óvatosan távolítsa el a bent maradt anyagdarabkákat a vágóműből.
→ Sikeresen eltávolította az anyagmaradványokat a vágóműből.

Az iratmegsemmisítő tisztítása

Rendszeres időközönként tisztítsa meg az iratmegsemmisítőt.



Vigyázat! Sérülésveszély kiáramló nagy nyomású gáz meggyulladására következtében! Sűrített levegő spray-k használata során a kiáramló gáz meggyulladhat. Soha ne használjon sűrített levegő sprayt.

- 1 A **Be/ki** főkapcsoló megnyomásával kapcsolja ki a készüléket.
- 2 Húzza ki a hálózati csatlakozódugót a csatlakozóaljzatból.
- 3 Tisztítsa meg a készülék burkolatát puha, száraz, szőszmentes kendővel. Ne használjon sűrített levegő spray-eket, tisztító- és oldószereket.

Műszaki adatok


Modell	Pro Shredder 24CC	Pro Shredder 16MC
Méretetek (mm)	Sz: 295 H: 424 M: 645	Sz: 295 H: 424 M: 645
DIN 66399-2 szerinti biztonsági fokozat.	P-4	P-5
Apríték mérete (vastagság × szélesség, mm)	4 × 35	2 × 15
max. vágási teljesítmény (lap/bankkártya)	24/1	16/1
Munkaszélesség (mm)	220	220
Áramellátás	220-240 V~, 50 Hz, 3.0 A, 680 W	220-240 V~, 50 Hz, 3.0 A, 680 W
Max. környezeti hőmérséklet [°C]	25	25
Gyűjtőtartály befogadóképessége (l)	30	30
Súly (kg)	20	18,2
Zajszint (dB)	55	55
Folyamatos működés (perc) / lehűlési idő (perc)	40 / 50	40 / 50
Üzemelési sebesség (m/perc)	1.6	1.6
Vágástípus	Konfettivágás	Mikrovágás

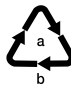
Nyilatkozunk, hogy ezek a készülékek az iratok megsemmisítése tekintetében teljesítik a DIN 66399 szabvány P-4 és P-5 biztonsági fokozatára vonatkozó előírásokat.

P-4: Használata olyan adathordozók esetében ajánlott, amelyek különösen érzékeny és bizalmas adatokat tartalmaznak. Anyagdarab felszíne: ≤ 160 mm², és szabályos alakú részecskék esetében: csíkszélesség: ≤ 6 mm (pl. 4 × 40 mm-es részecskeméret).


P-5: Használata olyan adathordozók esetében ajánlott, amelyek titkos adatokat tartalmaznak. Anyagdarab felszíne: ≤ 30 mm², és szabályos alakú részecskék esetében: csíkszélesség: ≤ 2 mm (pl. 2 × 15 mm-es részecskeméret).


Ártalmatlanítás

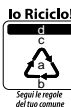
 Az oldalsó szimbólum azt jelenti, hogy a használt elektromos vagy elektronikus készüléket a törvényi szabályozás alapján a háztartási hulladéktól elkülönítve kell ártalmatlanítani. A használt készüléket adja le a helyi hulladékfeldolgozó átvévhelyén. A csomagolóanyagokat a helyi előírásoknak megfelelően ártalmatlanítsa.

 Vegye figyelembe a csomagolóanyagokon lévő jelöléseket a szelektív hulladékgyűjtés során, ezek a következő jelentéssel bíró rövidítéseket (a) és számokat (b) tartalmazzák: 1-7: műanyag / 20-22: papír és karton / 80-98: kompozit anyagok.

 A csomagolóanyagok hulladékkezelését a helyi előírásoknak megfelelően végezze el.

 A csomagolás környezetbarát anyagokból készült, amelyeket a helyi hulladék-újrahasznosító állomásokon kidobhat. A hulladék megfelelő ártalmatlanításával kapcsolatban tájékozódjon a helyi önkormányzatnál.

 A készülék és a csomagolóanyag újrahasznosítható, a hatékonyabb hulladékkezelés érdekében elkülönítve ártalmatlanítsa. A Trimán-logó csak Franciaországra érvényes.

 **Io Riciclo!**
A készülék és a csomagolóanyagok is újrahasznosíthatók, ártalmatlanítsa őket elkülönítve a jobb hulladékkezelés érdekében. A hulladék megfelelő ártalmatlanításával kapcsolatban tájékozódjon a helyi önkormányzatnál. Vegye figyelembe a csomagolóanyagokon lévő jelöléseket, amelyek a következő jelentéssel bírnak: számok (a), rövidítések (b) és anyagmegjelölések (c): 1-7: műanyag / 20-22: papír és karton / 80-98: kompozit anyagok, valamint a csomagolás fajtája (d). Az embléma csak Olaszországra vonatkozik.

Tárolásra vonatkozó tudnivalók

Használat után az iratmegsemmisítőt biztonságosan kell tárolni. Vegye figyelembe a következő tudnivalókat:

Az iratmegsemmisítőt csak

- az eredeti csomagolásban
- száraz, tiszta helyen
- csak lehűlt állapotban tárolja.

Kérdések és szerviz

Kedves Vásárlónk !

Örülünk, hogy készülékünket választotta. Meghibásodás esetén adja vissza a készüléket a pénztári bizonylattal és az eredeti csomagolással együtt abban az üzletben, ahol vásárolta.

A törvényesen előírt garanciális idő érvényes.

További információt a www.hp.com/officeequipment internetcímen elérhető honlapunk Contact & Service menüpontjában talál.

Megfelelőségi nyilatkozat

CE A készüléken látható CE-jelölés igazolja a megfelelőséget.

A megfelelőségi nyilatkozatot a következő címen találja: www.hp.com/officeequipment.

UK A készüléken látható UKCA-jelölés igazolja a megfelelőséget.

CA A megfelelőségi nyilatkozatot a következő címen találja: www.hp.com/officeequipment.

Gyártó

GO Europe GmbH
Zum Kraftwerk 1
D-45527 Hattingen
Germany

Leggere le istruzioni d'uso



Leggere attentamente le istruzioni d'uso e osservare le relative indicazioni durante l'utilizzo del distruggidocumenti. Conservare le istruzioni d'uso per riferimento futuro.

Impiego conforme agli usi previsti

Il vostro distruggidocumenti è preposto alla frantumazione di carta, carte di credito, graffette e puntine metalliche. Il distruggidocumenti è destinato esclusivamente ad uso privato in ambienti chiusi.

Qualsiasi altro impiego è considerato improprio. Non sono ammesse modifiche o trasformazioni non autorizzate che comportano la perdita della garanzia legale.

Osservare le indicazioni di sicurezza

Leggere e osservare le indicazioni di avvertimento allo scopo di proteggere se stessi e l'ambiente.



Avvertenza!

Pericolo di lesioni dovuto al meccanismo di caricamento! Oggetti mobili possono incastrarsi nella fessura di caricamento e causare lesioni. Tenere lontano dita, capelli, scarpe, cravatte, bigiotteria ecc. dalla fessura di caricamento.



Avvertenza!

Pericolo di lesioni dovuto a scossa elettrica. Un impiego errato del distruggidocumenti può causare scosse elettriche. Non sono ammesse modifiche o variazioni arbitrarie effettuate sul distruggidocumenti. Il distruggidocumenti non va adoperato con un cavo di alimentazione difettoso o danneggiato. In presenza di guasti o di malfunzionamento, disinserire immediatamente il distruggidocumenti scollegando la spina dalla rete di alimentazione. Utilizzare esclusivamente il cavo di rete fornito in dotazione.

Affidare eventuali riparazioni solo a personale tecnico qualificato. Assicurarsi che il distruggidocumenti sia collegato ad una presa elettrica di facile accesso, in modo da poter scollegare rapidamente il distruggidocumenti dalla rete elettrica in caso di emergenza. Non toccare mai con mani bagnate. Evitare qualsiasi contatto con acqua.

In caso di mancato utilizzo dell'apparecchio, scollegare sempre il connettore dalla rete. Utilizzare esclusivamente il cavo di rete fornito in dotazione.



Avvertenza!

Pericolo di soffocamento dovuto a componenti piccoli, materiali d'imballo o pellicole protettive! I bambini possono ingerire componenti piccoli, materiali d'imballo o pellicole protettive. Tenere l'apparecchio e la confezione lontani dalla portata dei bambini.

**Avvertenza!**

L'apparecchio può essere utilizzato da bambini di età superiore agli otto anni e da persone con ridotte capacità fisiche, sensoriali o intellettive, o con mancanza di esperienza e/o conoscenza, solo se sorvegliati o istruiti circa l'uso sicuro dell'apparecchio e i pericoli da esso derivanti. Ai bambini non è consentito giocare con l'apparecchio. Non affidare i lavori di pulizia e manutenzione a cura dell'utente a bambini in mancanza di sorveglianza.

**Attenzione!**

Pericolo di inciampare dovuto alla posa non corretta del cavo di alimentazione. Posare il cavo di alimentazione in modo che nessuno vi possa inciampare. Evitare il subentro di danni alla spina e al cavo di alimentazione.

**Importante!**

Pericolo di danni materiali! Evitare influssi ambientali come ad es. fumo, polvere, vibrazioni, sostanze chimiche, umidità, calore o raggi solari diretti.

Utilizzare il distruggidocumenti solo in ambienti chiusi e con condizioni ambiente consentite e specificate nei dati tecnici.

Osservare le seguenti indicazioni in modo da garantire un funzionamento conforme e corretto del proprio distruggidocumenti.



Si prega di leggere attentamente le istruzioni d'uso prima di mettere in funzione l'apparecchio.



Non avvicinarsi con capelli lunghi e sciolti al distruggidocumenti.



Tenere lontano lembi di abbigliamento, bigiotteria o altri oggetti liberi/sciolti dal distruggidocumenti.



Tenere lontano cravatte e sciarpe dal distruggidocumenti.



Informazioni generali su possibili pericoli che richiedono una particolare attenzione.



Non introdurre mai le mani nella fessura di caricamento.



Tenere lontano bambini e animali domestici dal distruggidocumenti.



Non puntare o spruzzare gas infiammabili in direzione del vostro distruggidocumenti. Non utilizzare mai spray ad aria compressa.



Osservare il numero di fogli massimo (vedi Dati tecnici).

**Attenzione!**

Pericolo di lesioni dovuto al gruppo di taglio affilato!



Avvertenza!

L'apparecchio non è destinato all'uso da parte di bambini. Evitare il contatto della fessura di caricamento con mani, indumenti o capelli.

Scollegare la spina dalla rete di alimentazione quando non si utilizza l'apparecchio per un periodo prolungato. L'apparecchio contiene componenti mobili pericolosi, tenere pertanto lontano le parti del corpo dai componenti mobili.



Utilizzare il prodotto solo in ambienti interni.



Introdurre le carte di credito solo verticalmente.



Il marchio GS «Geprüfte Sicherheit» (Sicurezza verificata) certifica che il prodotto soddisfa i requisiti della Legge tedesca sulla sicurezza dei prodotti e degli apparecchi (ProdSG).

Il marchio GS indica che la sicurezza e la salute dell'utilizzatore non sono compromessi quando il prodotto contrassegnato viene usato secondo gli usi previsti e nei casi di uso improprio ragionevolmente prevedibili. Si tratta di un marchio di certificazione volontario, rilasciato da un organo di controllo idoneo.

Verificare il contenuto della confezione

Verificare il contenuto della confezione del proprio distruggidocumenti prima di mettere in funzione l'apparecchio.

In caso dovesse mancare qualcosa o risultare danneggiato, non mettere per nessun motivo in funzione il distruggidocumenti. Rivolgersi al nostro servizio di assistenza.

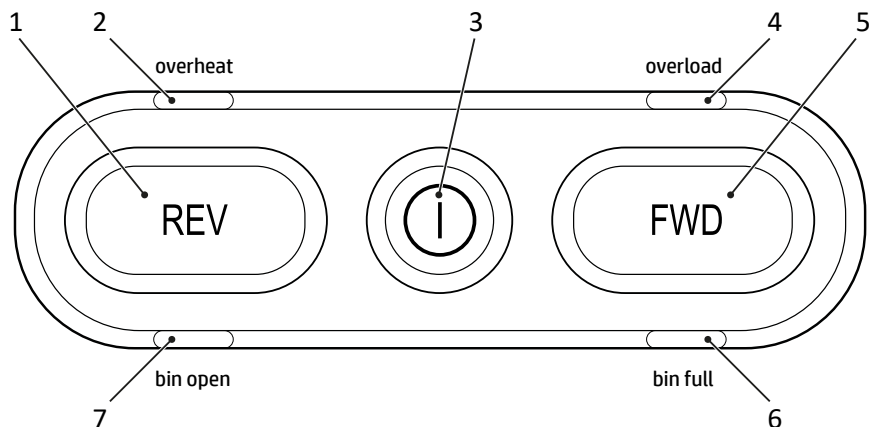
- 1 distruggidocumenti Pro Shredder 24CC o Pro Shredder 16MC con recipiente di raccolta per frammenti
- 1 manuale d'uso
- 1 cavo di alimentazione
- 1 foglio di carta oleata

Vista dettagliata del distruggidocumenti

La seguente figura illustra il distruggidocumenti in dettaglio.



1	Tasti di comando / Indicatore di stato	5	Impugnatura
2	Fessura di caricamento	6	Finestra / Impugnatura
3	Gruppo di taglio	7	Recipiente di raccolta
4	Indicatore di stato sul davanti	8	Rotelle



1	Tasto marcia indietro	5	Tasto marcia in avanti
2	LED di stato surriscaldamento	6	LED di stato recipiente di raccolta pieno
3	Interruttore generale On/Off	7	LED di stato recipiente di raccolta aperto
4	LED di stato sovraccarico		

Posizionamento e messa in funzione del distruggidocumenti

Il distruggidocumenti funziona solo in combinazione con il recipiente di raccolta. Non disporre il distruggidocumenti in prossimità di sorgenti di calore e mantenere una distanza minima di 10 cm dalla parete. In questo modo il distruggidocumenti si raffredda a sufficienza.

- 1 Posizionare il distruggidocumenti su una superficie piana, orizzontale e vicina ad una presa elettrica di facile accesso.
- 2 Spingere il recipiente di raccolta dentro l'apparecchio. Il recipiente di raccolta scatta in posizione in maniera udibile. Se il recipiente di raccolta non è posizionato correttamente all'interno dell'apparecchio, il distruggidocumenti non si lascia mettere in funzione.

i Utilizzare esclusivamente il cavo di rete fornito in dotazione.

- 3 Collegare il cavo di alimentazione all'apparecchio.
- 4 Collegare la spina alla rete di alimentazione.
- 5 Inserire l'apparecchio premendo l'interruttore generale **On/Off**.
 - ➔ L'indicatore di stato si accende in BLU.
 - ➔ Il distruggidocumenti è in funzione.

Esercizio del distruggidocumenti

Il distruggidocumenti effettua una frantumazione automatica. Per comandare il distruggidocumenti, premere i tasti di comando presenti in alto sull'apparecchio.

I Il distruggidocumenti presenta sul davanti un indicatore di stato supplementare. Questo indicatore di stato visualizza esattamente lo stesso stato dei tasti e LED presenti in alto sull'apparecchio.

Frantumazione automatica del materiale

Osservare la prestazione di taglio massima consentita e le altre indicazioni specificate nei **Dati tecnici**.



Avvertenza!

L'apparecchio non è destinato all'uso da parte di bambini. Evitare il contatto della fessura di caricamento con mani, indumenti o capelli. Scollegare la spina dalla rete di alimentazione quando non si utilizza l'apparecchio per un periodo prolungato. L'apparecchio contiene componenti mobili pericolosi, tenere pertanto lontano le parti del corpo dai componenti mobili.

Importante!

Danni materiali dovuti a materiale inceppato! Osservare la capacità di taglio massima della fessura di caricamento.

- 1** Introdurre il materiale da frantumare al centro nella fessura di caricamento.
 - ➔ La fessura di caricamento trascina il materiale e si ferma una volta esaurito il materiale da frantumare.

Frantumazione manuale del materiale

In rari casi i sensori non sono in grado di rilevare il materiale introdotto.

- 1** Premere e tenere premuto il tasto **FWD**.
 - ➔ Il materiale viene introdotto manualmente e quindi frantumato.
- 2** Rilasciare il tasto **FWD**.

Disinserimento del distruggidocumenti

Spegnere il distruggidocumenti dal momento che non lo si vuole utilizzare più.

- 1** Per spegnere l'apparecchio, premere l'interruttore generale **On/Off**.
 - ➔ Il distruggidocumenti è spento.
- 2** Scollegare la spina dalla rete di alimentazione quando non si utilizza il distruggidocumenti per un periodo prolungato.

Modalità sleep

Se non si utilizza il distruggidocumenti per 30 minuti, lo stesso distruggidocumenti passa in stand-by attivando la modalità sleep. L'indicazione di stato sul davanti del distruggidocumenti si spegne. L'intensità luminosa dell'indicazione di stato in alto sul distruggidocumenti si affievolisce.

Per disattivare la modalità sleep, procedere come segue:

1 Introdurre il materiale da frantumare al centro nella fessura di caricamento.

→ Il distruggidocumenti è di nuovo pronto all'esercizio.

i In alternativa, premere il tasto **FWD** o il tasto **REV** del distruggidocumenti per disattivare la modalità sleep.

Malfunzionamenti

Le seguenti indicazioni sostengono l'utilizzatore in presenza di guasti o malfunzionamenti.

Protezione da surriscaldamento

Il distruggidocumenti si spegne automaticamente in caso di surriscaldamento. L'indicatore di stato si accende in ROSSO.

Fare trascorrere l'intervallo di tempo indicato nei **Dati tecnici** finché il distruggidocumenti risulta raffreddato.

→ Alla fine della fase di raffreddamento, l'indicatore di stato si accende in BLU.

→ La frantumazione prosegue.

i Osservare la distanza minima dalla parete e le indicazioni riferite all'esercizio continuo riportate nei **Dati tecnici**.

Protezione da sovraccarico

Avendo introdotto più materiale di quanto indicato nei **Dati tecnici**, l'indicatore di stato lampeggia in ROSSO e il distruggidocumenti attiva per 5 secondi la marcia indietro.

1 Estrarre il materiale dal distruggidocumenti.

→ Il blocco risulta rimosso.

i Una volta rimosso il materiale dal distruggidocumenti, il gruppo di taglio continua a muoversi per altri 3 secondi in modo da eliminare tutti i residui. Attendere finché il distruggidocumenti si è nuovamente fermato e l'indicatore di stato risulta acceso in BLU.

Lubrificazione del gruppo di taglio

Per prolungare la vita utile del distruggidocumenti, lubrificare il gruppo di taglio del distruggidocumenti in intervalli regolari.

HP ha in programma un olio e fogli oleati specifici per distruggidocumenti.

Importante!

Danni materiali dovuti all'uso di oli errati! Evitare l'uso di oli a spruzzo. Utilizzare esclusivamente olio speciale per distruggidocumenti.

Vi sono vari modi per oliare il gruppo di taglio.

Oliatura con carta oleata in proprio

- 1 Applicare l'olio speciale per distruggidocumenti tracciando diverse linee trasversali su un foglio di carta.
- 2 Introdurre la carta oleata nel caricatore.
 - ➔ La carta inumidita di olio viene caricata lubrificando al tempo stesso il gruppo di taglio.

Oliatura con fogli di carta oleata

- 1 Introdurre il foglio di carta oleata nel caricatore.
 - ➔ La carta inumidita di olio viene caricata lubrificando al tempo stesso il gruppo di taglio.

Svuotamento del recipiente di raccolta

Il livello di riempimento del recipiente di raccolta viene sorvegliato da un apposito sensore.

i Se il livello di riempimento è troppo alto, il LED di stato "Recipiente di raccolta pieno" lampeggia in ROSSO. Il gruppo di taglio del distruggidocumenti si ferma per consentire lo svuotamento del recipiente di raccolta.

1 Per spegnere l'apparecchio, premere l'interruttore generale **On/Off**.

2 Rimuovere il recipiente di raccolta dall'apparecchio.

i In caso l'apparecchio non sia stato disinserito, il LED di stato "Recipiente di raccolta aperto" si accende in ROSSO.

3 Svuotare il contenitore di raccolta.

4 Spingere il recipiente di raccolta dentro l'apparecchio.

➔ Il recipiente di raccolta scatta in posizione in maniera udibile.

➔ Il recipiente di raccolta è stato svuotato.

Eliminazione di materiale inceppato

In caso il distruggidocumenti non frantumi più correttamente il materiale introdotto, rimuovere i residui di materiale presenti nel gruppo di taglio.

- 1 Premere e tenere premuto il tasto **REV**. Il gruppo di taglio avanza a ritroso eliminando il materiale presente nel gruppo di taglio.
- 2 Rilasciare il tasto **REV**.
- 3 Per spegnere l'apparecchio, premere l'interruttore generale **On/Off**.
- 4 Estrarre il connettore di rete dalla presa di corrente.



Attenzione!

Pericolo di lesioni dovuto al gruppo di taglio affilato! Procedere con cautela durante la rimozione di residui di materiale.

- 5 Rimuovere con cautela i residui di materiale dal gruppo di taglio con un idoneo oggetto appuntito.
→ I residui di materiale sono stati estratti dal gruppo di taglio.

Pulizia del distruggidocumenti

Pulire il distruggidocumenti in intervalli regolari.



Attenzione!

Pericolo di lesioni dovuto a incendio improvviso! L'uso di spray ad aria compressa può causare fiamme improvvise. Non utilizzare mai spray ad aria compressa.

- 1 Per spegnere l'apparecchio, premere l'interruttore generale **On/Off**.
- 2 Estrarre il connettore di rete dalla presa di corrente.
- 3 Pulire le superfici dell'involucro esterno con un panno morbido, asciutto e antipilling. Non utilizzare spray ad aria compressa, detersivi o solventi.

Dati tecnici

Modello	Pro Shredder 24CC	Pro Shredder 16MC
Dimensioni (mm)	P: 295 L: 424 H: 645	P: 295 L: 424 H: 645
Livello di protezione secondo DIN 66399-2.	P-4	P-5
Dimensione dei frammenti (spessore × larghezza, mm)	4 × 35	2 × 15
Max. spessore di taglio (fogli/carta di credito)	24/1	16/1
Larghezza utile (mm)	220	220
Alimentazione elettrica	220-240 V~, 50 Hz, 3.0 A, 680 W	220-240 V~, 50 Hz, 3.0 A, 680 W
Max. temperatura ambiente [°C]	25	25
Capienza del recipiente di raccolta (l)	30	30
Peso (kg)	20	18,2
Rumorosità (dB)	55	55
Esercizio continuo (min) / Raffreddamento (min)	40 / 50	40 / 50
Velocità operativa (m/min)	1.6	1.6
Tipo di taglio	Taglio a frammenti	Taglio a microframmenti

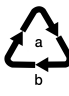
Si dichiara che durante la distruzione di documenti gli apparecchi soddisfano i requisiti della classe di protezione P-4 e P-5 ai sensi della normativa DIN 66399.

P-4: consigliato per supporti dati con dati particolarmente sensibili e riservati. Dimensione del frammento di materiale $\leq 160 \text{ mm}^2$ e per frammenti regolari: larghezza della striscia $\leq 6 \text{ mm}$ (ad es. frammento $4 \times 40 \text{ mm}$).


P-5: consigliato per supporti dati con informazioni segrete. Dimensione del frammento di materiale $\leq 30 \text{ mm}^2$ e per frammenti regolari: larghezza della striscia $\leq 2 \text{ mm}$ (ad es. frammento $2 \times 15 \text{ mm}$).


Smaltimento

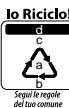
 Il simbolo qui accanto indica che per legge non è consentito smaltire apparecchi elettrici ed elettronici in disuso insieme ai normali rifiuti domestici. Smaltire l'apparecchio presso un punto di raccolta istituito dalla propria società di smaltimento rifiuti comunale.

 Osservare in sede di raccolta differenziata i codici riportati sui materiali d'imballo, composti da sigle (b) e cifre (a) con il seguente significato: 1–7: materiale plastico / 20–22: carta e cartone / 80–98: materiali compositi.

 Smaltire i materiali d'imballo secondo le norme locali vigenti.

 I materiali d'imballo sono ecocompatibili e si lasciano riciclare nei centri di raccolta differenziata locali. Si consiglia di informarsi presso il proprio comune circa le possibilità di uno smaltimento corretto.

 L'apparecchio e i materiali d'imballo sono riciclabili, smaltirli pertanto separatamente per un migliore trattamento dei rifiuti. Il logo Triman vale solo per la Francia.

 **Io Riciclo!**
L'apparecchio e i materiali d'imballo sono riciclabili, smaltirli pertanto separatamente per un migliore trattamento dei rifiuti. Si consiglia di informarsi presso il proprio comune circa le possibilità di uno smaltimento corretto. Osservare i seguenti codici riportati sui materiali d'imballo: (a) cifre, (b) sigle e (c) materiale con il seguente significato: 1–7: materiale plastico / 20–22: carta e cartone / 80–98: materiali compositi e (d) tipo di imballaggio. Il logo vale solo per l'Italia

Indicazioni sulla conservazione

Dopo l'uso, conservare il distruggidocumenti in modo sicuro. Osservare le seguenti indicazioni:

Conservare il distruggidocumenti

- solo all'interno della confezione originale
- in un luogo asciutto e pulito
- solo se raffreddato

Domande e assistenza

Caro cliente,

ci congratuliamo con Lei per aver scelto questo apparecchio. In caso di difetti la preghiamo di ritornare l'apparecchio, completo di imballo originale e scontrino di acquisto, al punto vendita dove è stato effettuato l'acquisto.

Per maggiori informazioni consultate la voce Contatto & Assistenza sul nostro sito internet www.hp.com/officeequipment.

Dichiarazione di conformità

CE Il marchio CE sull'apparecchio attesta la conformità del prodotto.

La dichiarazione di conformità è disponibile su www.hp.com/officeequipment.

UK Il marchio UKCA sull'apparecchio attesta la conformità.

CA La dichiarazione di conformità è disponibile su www.hp.com/officeequipment.

Produttore

GO Europe GmbH
Zum Kraftwerk 1
D-45527 Hattingen
Germania

Gebruiksaanwijzing lezen



Lees de gebruiksaanwijzing aandachtig door en volg de instructies op bij de bediening van de papierversnipperaar. Bewaar de gebruiksaanwijzing voor toekomstig gebruik.

Beoogd gebruik

Uw papierversnipperaar is geschikt voor het versnipperen van papier, creditcards, paperclips en nietjes. De papierversnipperaar is alleen geschikt voor privégebruik in gesloten ruimtes.

Elk ander gebruik wordt beschouwd als oneigenlijk. Ongeoorloofde wijzigingen of aanpassingen zijn niet toegestaan en leiden tot verlies van de garantie.

Veiligheidsinstructies in acht nemen

Lees en volg de waarschuwingen op om uzelf en het milieu te beschermen.



Waarschuwing!

Gevaar voor letsel door het invoermechanisme. Losse voorwerpen kunnen in de invoersleuf klem komen te zitten en letsel veroorzaken. Houd uw vingers, haar, sjaal, stropdas, sieraden enz. van de invoersleuf weg.



Waarschuwing!

Gevaar voor letsel door een elektrische schok. Onjuiste behandeling van de papierversnipperaar kan leiden tot elektrische schokken. Ongeoorloofde wijzigingen of aanpassingen van de papierversnipperaar zijn niet toegestaan. Gebruik de papierversnipperaar niet met een beschadigd netsnoer. Als de papierversnipperaar is beschadigd of niet goed functioneert, schakelt u deze onmiddellijk uit en trekt u de stekker uit het stopcontact. Gebruik alleen het meegeleverde netsnoer.

Laat reparaties altijd uitvoeren door gekwalificeerd personeel. Plaats de papierversnipperaar in de buurt van een gemakkelijk toegankelijk stopcontact, zodat de papierversnipperaar in geval van nood snel kan worden losgekoppeld van de stroomvoorziening. Nooit aanraken met natte handen. Elk contact met water vermijden.

Trek altijd de stroomstekker uit het stopcontact als het apparaat niet wordt gebruikt. Gebruik alleen het meegeleverde netsnoer.



Waarschuwing!

Gevaar voor verstikking door kleine onderdelen, verpakkingsmaterialen of beschermende folie. Kinderen kunnen kleine onderdelen, verpakkingsmaterialen of beschermende folie inslikken. Houd kinderen uit de buurt van het apparaat en de verpakking.

**Waarschuwing!**

Dit apparaat mag worden gebruikt door kinderen vanaf een leeftijd van acht jaar en door personen met verminderde lichamelijke, zintuiglijke of verstandelijke vermogens of een tekort aan ervaring en/of kennis, als zij onder toezicht werken of onderricht zijn over het veilige gebruik van het apparaat en de hieruit resulterende gevaren begrepen hebben. Kinderen mogen niet met het apparaat spelen. Reiniging en onderhoud door de gebruiker mogen niet worden uitgevoerd door kinderen zonder toezicht.

**Voorzichtig!**

Struikelgevaar door een verkeerd gelegd netsnoer. Leg het netsnoer zo neer dat niemand erover kan struikelen. Zorg ervoor dat er geen schade kan ontstaan aan de stekker en het netsnoer.

**Belangrijk!**

Schade aan eigendommen mogelijk. Uitwendige invloeden zoals rook, stof, schokken, chemicaliën, vocht, hitte of direct zonlicht vermijden.

Gebruik de papierversnipperaar alleen binnenshuis en binnen de toelaatbare omgevingsomstandigheden zoals vermeld in de Technische gegevens.

Neem de volgende instructies in acht, zodat de papierversnipperaar altijd werkt zoals u verwacht.



Lees voorafgaand aan de ingebruikneming de gebruiksaanwijzing door.



Houd lang haar uit de buurt van de papierversnipperaar.



Houd losse delen van kleding, sieraden of andere losse voorwerpen uit de buurt van de papierversnipperaar.



Houd stropdassen en sjaals uit de buurt van de papierversnipperaar.



Algemene informatie over mogelijke gevaren die uw speciale aandacht vereisen.



Steek nooit uw vingers direct in de invoer.



Houd kinderen en huisdieren uit de buurt van de papierversnipperaar.



Spuit geen ontvlambare gassen in de richting van de papierversnipperaar. Gebruik nooit persluchtsprays.



Let op het maximale aantal vellen (zie Technische gegevens).

**Voorzichtig!**

Gevaar voor letsel door de scherpe randen van de snijeenheid!



Waarschuwing!

Dit apparaat is niet bedoeld voor gebruik door kinderen. Vermijd het aanraken van de invoeropening met uw handen, kleding of haar.

Trek de stekker uit het stopcontact als u het apparaat voor langere tijd niet gaat gebruiken. Dit apparaat bevat gevaarlijke bewegende onderdelen; houd lichaamsdelen uit de buurt van bewegende onderdelen.

Gebruik het product alleen binnenshuis.



Voer creditcards alleen verticaal in.



Het zegel „Geteste veiligheid“ (GS-keurmerk) certificeert dat het product voldoet aan de eisen van de Duitse wet op de productveiligheid (ProdSG).

Het GS-keurmerk geeft aan dat de veiligheid en gezondheid van de gebruiker niet in gevaar komen als het product wordt gebruikt zoals bedoeld en bij te verwachten verkeerd gebruik. Dit is een vrijwillig veiligheidskeurmerk dat door een geschikt testinstituut is afgegeven.

Inhoud van de verpakking controleren

Controleer de inhoud van de verpakking van de papierversnipperaar voordat u de papierversnipperaar in gebruik neemt.

Als er iets ontbreekt of beschadigd is, mag u de papierversnipperaar niet gebruiken. Neem contact op met ons service center.

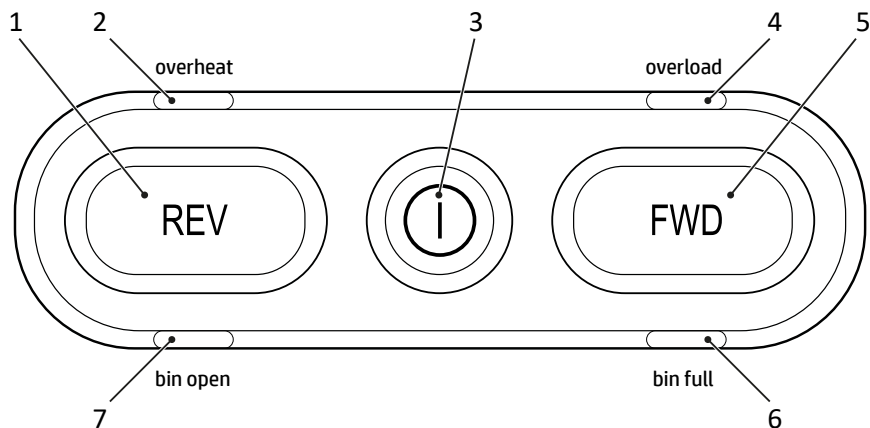
- 1 papierversnipperaar Pro Shredder 24CC of Pro Shredder 16MC met opvangbak voor snippers
- 1 gebruiksaanwijzing
- 1 netsnoer
- 1 vel oliepapier

Uw papierversnipperaar in detail

De volgende afbeelding toont de papierversnipperaar in detail.



1	Bedieningsknoppen / statusindicator	5	Handgreep
2	Invoerleuf	6	Kijkvenster / handgreep
3	Snijeenheid	7	Opvangbak
4	Statusindicator voorkant	8	Rollen



1	Knop Achteruit draaien	5	Knop Vooruit draaien
2	Status-led Oververhitting	6	Status-led Opvangbak vol
3	Hoofdschakelaar Aan/Uit	7	Status-led Opvangbak open
4	Status-led Overbelasting		

Papierversnipperaar plaatsen en in gebruik nemen

Uw papierversnipperaar functioneert alleen samen met de opvangbak. Plaats de papierversnipperaar niet in de buurt van warmtebronnen en houd een afstand van ten minste 10 cm tot de muur aan. Zo wordt de papierversnipperaar voldoende gekoeld.

- 1 Plaats de papierversnipperaar stabiel op een vlakke, horizontale ondergrond en in de buurt van een gemakkelijk toegankelijk stopcontact.
- 2 Schuif de opvangbak in het apparaat. De opvangbak klikt hoorbaar vast. Als de opvangbak niet goed in het apparaat zit, kan de papierversnipperaar niet worden ingeschakeld.

i Gebruik alleen het meegeleverde netsnoer.

- 3 Sluit het netsnoer op het apparaat aan.
- 4 Steek de stekker in het stopcontact.
- 5 Schakel het apparaat in door op de hoofdschakelaar **Aan/Uit in** te drukken.

➔ De statusindicator licht BLAUW op.

➔ U hebt de papierversnipperaar in werking gesteld.

Papierversnipperaar bedienen

De papierversnipperaar werkt met een automatische versnippering. De papierversnipperaar wordt bediend met de bedieningsknoppen aan de bovenkant van het apparaat.

 De papierversnipperaar is aan de voorkant uitgerust met een extra statusindicator. Deze statusindicator toont de status van de knoppen en leds op de bovenkant.

Materiaal automatisch versnipperen

Houd rekening met de maximaal toegestane snijcapaciteit en verdere in de **Technische gegevens** opgegeven specificaties.



Waarschuwing!

Dit apparaat is niet bedoeld voor gebruik door kinderen. Vermijd het aanraken van de invoeropening met uw handen, kleding of haar. Trek de stekker uit het stopcontact als u het apparaat voor langere tijd niet gaat gebruiken. Dit apparaat bevat gevaarlijke bewegende onderdelen; houd lichaamsdelen uit de buurt van bewegende onderdelen.

Belangrijk!

Materiële schade door materiaalstoring! Houd rekening met de maximale snijcapaciteit van het invoermechanisme.

- 1 Voer het te versnipperen materiaal in het midden van de invoersleuf in.
 - ➔ Het invoermechanisme trekt het materiaal naar binnen en stopt als er geen nieuw materiaal wordt ingevoerd.

Materiaal handmatig versnipperen

In uitzonderlijke gevallen detecteren de sensoren het ingevoerde materiaal niet.

- 1 Druk op de knop **FWD** en houd hem ingedrukt.
 - ➔ Het materiaal wordt handmatig ingevoerd en versnipperd.
- 2 Laat de knop **FWD** los.

Papierversnipperaar uitschakelen

Schakel de papierversnipperaar uit als u de papierversnipperaar niet langer nodig hebt.

- 1 Schakel het apparaat uit door op de hoofdschakelaar **Aan/Uit** te drukken.
 - ➔ U hebt de papierversnipperaar uitgeschakeld.
- 2 Trek de stekker uit het stopcontact als de papierversnipperaar langere tijd niet wordt gebruikt.

Slaapmodus

Als u de papierversnipperaar gedurende 30 minuten niet gebruikt, schakelt de papierversnipperaar naar de slaapmodus. De statusindicator aan de voorkant van de papierversnipperaar gaat uit. De statusindicator aan de bovenkant van de papierversnipperaar wordt gedimd.

Om de slaapmodus uit te schakelen, voert u de volgende stap uit:

1 Voer het te versnipperen materiaal in het midden van de invoersleuf in.

→ De papierversnipperaar is weer klaar voor gebruik.

i U kunt ook op de knop **FWD** of de knop **REV** van de papierversnipperaar drukken, om de slaapmodus uit te schakelen.

Als er iets niet werkt

De volgende instructies helpen u als er iets niet zo werkt als dat u verwacht.

Beveiliging tegen oververhitting

De papierversnipperaar schakelt zichzelf automatisch uit als hij oververhit raakt. De statusindicator licht **ROOD** op.

Wacht de in de **Technische gegevens** opgegeven tijd af tot de papierversnipperaar is afgekoeld.

→ Na de afkoelfase brandt de statusindicator **BLAUW**.

→ Het versnipperen wordt voortgezet.

i Neem de minimale afstand tot de muur en de specificaties voor continu gebruik in de **Technische gegevens** in acht.

Overbelastingsbeveiliging

Als u meer materiaal hebt ingevoerd dan aangegeven in de **Technische gegevens**, knippert de statusindicator **ROOD** en de papierversnipperaar draait automatisch gedurende 5 seconden achteruit.

1 Trek het materiaal uit de papierversnipperaar.

→ U hebt de blokkade opgeheven.

i Nadat het materiaal uit de papierversnipperaar is verwijderd, blijft de snijeenheid gedurende 3 seconden draaien om zichzelf te reinigen. Wacht tot de papierversnipperaar weer is gestopt en de statusindicator **BLAUW** brandt.

Snijeenheid oliën

Olie de snijeenheid van de papierversnipperaar regelmatig om de levensduur van de papierversnipperaar te verlengen.

Speciale olie en olievellen voor papierversnipperaars zijn verkrijgbaar bij HP.

Belangrijk!

Materiële schade door het gebruik van verkeerde oliën! Geen oliesprays gebruiken. Alleen speciale olie voor papierversnipperaars gebruiken.

U hebt verschillende mogelijkheden om de snijeenheid te oliën.

Smeren met zelf geolied papier:

- 1 Breng speciale olie voor papierversnipperaars in meerdere dwarslijnen op een vellen papier aan.
- 2 Voer het geoliede vel papier via de invoersleuf in.
 - ➔ Het met olie bevochtigde papier wordt ingevoerd en oliet de snijeenheid.

Oliën met olievellen

- 1 Voer het olievel via de invoersleuf in.
 - ➔ Het met olie bevochtigde papier wordt ingevoerd en oliet de snijeenheid.

Opvangbakken leegmaken

Het vulniveau van de opvangbak wordt bewaakt door een sensor.

i Wanneer het vulniveau hoog is, knippert de status-led 'Opvangbak vol' ROOD. De snijeenheid van de papierversnipperaar stopt en u moeten de opvangbak legen.

1 Schakel het apparaat uit door op de hoofdschakelaar **Aan/Uit** te drukken.

2 Trek de opvangbak uit het apparaat.

i Als u het apparaat niet hebt uitgeschakeld, brandt de status-led 'Opvangbak open' ROOD.

3 Ledig de opvangbak.

4 Schuif de opvangbak in het apparaat.

➔ De opvangbak klikt hoorbaar vast.

➔ U hebt de opvangbak geleegd

Materiaalresten verwijderen

Als de papierversnipperaar het materiaal niet langer correct versnipperd, moet u eventuele resten materiaal verwijderen uit de snijeenheid.

- 1 Druk op de knop **REV** en houd hem ingedrukt. De snijeenheid draait achteruit en geeft het materiaal vrij dat in de snijeenheid is achtergebleven.
- 2 Laat de knop **REV** los.
- 3 Schakel het apparaat uit door op de hoofdschakelaar **Aan/Uit** te drukken.
- 4 Trek de stekker uit het stopcontact.



Voorzichtig!

Gevaar voor letsel door de scherpe randen van de snijeenheid! Ga bij het verwijderen van materiaalresten uiterst voorzichtig te werk.

- 5 Verwijder eventuele resten materiaal met een geschikt puntig voorwerp voorzichtig uit de snijeenheid.
→ U hebt de materiaalresten uit de snijeenheid verwijderd.

Papierversnipperaar reinigen

Reinig de papierversnipperaar regelmatig.



Voorzichtig!

Gevaar voor letsel door steekvlam! Bij gebruik van persluchtsprays kunnen steekvlammen ontstaan. Gebruik nooit persluchtsprays.

- 1 Schakel het apparaat uit door op de hoofdschakelaar **Aan/Uit** te drukken.
- 2 Trek de stekker uit het stopcontact.
- 3 Reinig het oppervlak van de behuizing met een zachte, droge, niet-pluizende doek. Gebruik geen persluchtsprays, reinigings- of oplosmiddelen.

Technische gegevens


Model	Pro Shredder 24CC	Pro Shredder 16MC
Afmetingen (mm)	B: 295 L: 424 H: 645	B: 295 L: 424 H: 645
Veiligheidsniveau volgens DIN 66399-2	P-4	P-5
Grootte van de snippers (dikte × breedte, mm)	4 × 35	2 × 15
max. snijcapaciteit (vellen / creditcard)	24/1	16/1
Werkbreedte (mm)	220	220
Stroomvoorziening	220-240 V~, 50 Hz, 3.0 A, 680 W	220-240 V~, 50 Hz, 3.0 A, 680 W
Max. omgevingstemperatuur [°C]	25	25
Inhoud opvangbak (l)	30	30
Gewicht (kg)	20	18,2
Volume (dB)	55	55
Continue werking (min) / afkoeltijd (min)	40 / 50	40 / 50
Werksnelheid (m/min)	1.6	1.6
Snijwijze	Micro cut	Micro cuti


Wij verklaren dat deze apparaten bij het vernietigen van documenten voldoen aan de voorwaarden van de veiligheidsniveaus P-4 en P-5 volgens DIN 66399.

P-4: Aanbevolen voor gegevensdragers met bijzonder gevoelige en vertrouwelijke gegevens. Materiaaldeeltjesoppervlak $\leq 160 \text{ mm}^2$ en voor regelmatig gevormde deeltjes: strookbreedte $\leq 6 \text{ mm}$ (bijv. deeltjes $4 \times 40 \text{ mm}$).


P-5: Aanbevolen voor gegevensdragers met gegevens die geheim moeten blijven. Materiaaldeeltjesoppervlak $\leq 30 \text{ mm}^2$ en voor regelmatig gevormde deeltjes: strookbreedte $\leq 2 \text{ mm}$ (bijv. deeltjes $2 \times 15 \text{ mm}$).

Verwijdering

 Het symbool hiernaast betekent dat oude elektrische en elektronische apparaten op grond van wettelijke bepalingen gescheiden van het huishoudelijk afval moeten worden afgevoerd. Breng uw apparaat naar het inzamelpunt van uw gemeentelijke afvalverwijderingsdienst.

 Let op de markering van de verpakkingsmaterialen tijdens het scheiden van afval, deze zijn gemarkeerd met afkortingen (b) en nummers (a) met de volgende betekenis: 1–7: kunststoffen / 20–22: papier en karton / 80–98: composietmaterialen.

 Voer verpakkingsmaterialen in overeenstemming met de plaatselijke regelgeving af.

 De verpakking bestaat uit milieuvriendelijke materialen, die kunnen worden ingeleverd bij de plaatselijke inzamelpunten. Informeer bij uw gemeente naar de mogelijkheden voor correcte verwijdering.

 Het apparaat en het verpakkingsmateriaal zijn recyclebaar; verwijder ze apart voor een betere afvalverwerking. Het Triman-logo is alleen van toepassing op Frankrijk.

 Het apparaat en het verpakkingsmateriaal zijn recyclebaar; verwijder ze apart voor een betere afvalverwerking. Informeer bij uw gemeente naar de mogelijkheden voor correcte verwijdering. Let op de volgende markering van het verpakkingsmateriaal: (a) nummers, (b) afkortingen en (c) materiaal met de volgende betekenis: 1–7: kunststoffen / 20–22: papier en karton / 80–98: composietmaterialen, en (d) type verpakking. Het logo is alleen van toepassing op Italië.

Instructies voor opslag

Na gebruik moet de papierversnipperaar veilig worden opgeborgen. Neem de volgende instructies in acht:

Berg de papierversnipperaar op

- alleen in de originele verpakking
- op een droge, schone plaats
- alleen in afgekoelde toestand

Vragen en service

Geachte klant,

het verheugt ons dat u voor dit apparaat hebt gekozen.

Geef het apparaat in geval van een defect met de kassabon en de originele verpakking terug in de zaak, waar u het gekocht heeft.

Meer informatie vindt u ook in het gedeelte Contact & Service op onze website www.hp.com/officeequipment.

Verklaring van overeenstemming

CE De CE-markering op het apparaat bevestigt de overeenstemming.

De verklaring van overeenstemming vindt u op www.hp.com/officeequipment.

UK Het UKCA-keurmerk op het apparaat bevestigt de overeenstemming.

CA De verklaring van overeenstemming vindt u op www.hp.com/officeequipment.

Fabrikant

GO Europe GmbH
Zum Kraftwerk 1
D-45527 Hattingen
Duitsland

Les bruksanvisningen



Les grundig gjennom bruksanvisningen og følg instruksjonene ved håndtering av din makuleringsmaskin. Oppbevar bruksanvisningen for senere bruk.

Tiltenkt bruk

Din makuleringsmaskin er egnet for makulering av papir, kredittkort, binders og stifter. Makuleringsmaskinen er utelukket egnet for privat bruk i lukkede rom.

All annen bruk ansees som ikke tiltenkt bruk. Egenmektige forandringer eller ombygginger er ikke tillatt, og fører til tap av garanti.

Følg sikkerhetshenvisninger

Lese og følg advarsler, for å beskytte deg selv og miljøet.



Advarsel!

Fare for personskader fra inntrekksmekanismen. Løse gjenstander kan bli fanget i inntrekket og føre til personskader. Hold fingre, hår, sjal, slips, smykker o.l. unna inntrekket.



Advarsel!

Fare for personskader ved strømstøt. Feil håndtering av makuleringsmaskinen kan føre til strømstøt. Egenmektige forandringer eller ombygginger av makuleringsmaskinen er ikke tillatt. Bruk ikke makuleringsmaskinen med skadet nettkabel. Slå av makuleringsmaskinen umiddelbart ved skader eller funksjonsfeil, og trekk ut støpslet. Bruk kun den medfølgende nettkabelen.

La kun kvalifisert fagpersonale gjennomføre reparasjoner. Sett opp makuleringsmaskinen i nærheten av en lett tilgjengelig stikkontakt, slik at makuleringsmaskinen i nødstilfeller raskt kan kobles fra strømmettet. Grip aldri med våte hender. Unngå enhver kontakt med vann.

Trekk alltid ut støpslet når apparatet ikke er i bruk. Bruk kun den medfølgende nettkabelen.



Advarsel!

Kvelningsfare ved små deler, emballasjemateriale eller beskyttelsesfolie. Barn kan spise små deler, emballasjemateriale eller beskyttelsesfolie. Hold barn unna apparatet og dets emballasje.

**Advarsel!**

Dette apparatet kan brukes av barn fra åtte år og av personer med begrensede fysiske, sensoriske eller mentale evner eller mangel på erfaring og/eller kunnskap, hvis de blir overvåket eller har fått instruksjoner, og de har mottatt instruksjoner om hvordan man bruker enheten på en sikker måte, og forstår de resulterende farene. Barn skal ikke leke med apparatet. Rengjøring og brukervedlikehold skal ikke gjennomføres av barn uten overvåkning.

**Forsiktig!**

Snublefare ved feil lagt nettkabel. Legg nettkabelen slik at ingen kan snuble i den. Pass på at det ikke kan oppstå noen skader på støpslet og nettkabelen.

**Viktig!**

Materielle skader er mulig. Unngå miljøpåvirkninger som f.eks. røyk, støv, vibrasjoner, kjemikalier, fuktighet varme eller direkte solinnstråling.

Bruk makuleringsmaskinen kun i lukkede rom og innenfor de tillatte omgivelsesbetingelser, angitt i de tekniske dataene.

Ta hensyn til følgende instruksjoner, slik at din makuleringsmaskin alltid fungerer som forventet.



Les gjennom bruksanvisningen før igangsetting.



Hold langt hår unna din makuleringsmaskin.



Hold løstsittende klær, smykker eller andre løse gjenstander unna din makuleringsmaskin.



Hold langt slips og sjal unna din makuleringsmaskin.



Grip aldri direkte inn i inntrekket.



Hold langt barn og husdyr unna din makuleringsmaskin.



Spray ikke noen brennbare gasser i retning mot makuleringsmaskinen. Bruk aldri trykkluftspray.



Ta hensyn til maksimalt antall ark (se tekniske data).



Generelle råd for mulige farer, som krever spesiell oppmerksomhet.



Advarsel!

Dette apparatet er ikke bestemt til å bli brukt av barn. Unngå å berøre inntreksåpningen med hendene eller at klær og hår kommer borti den. Trekk ut nettstøpselet når du ikke skal bruke apparatet over lengre tid. I dette apparatet befinner det seg farlige deler i bevegelse, hold kroppsdeler borte fra bevegelige deler.

Bruk kun produktet innendørs.



Forsiktig!

Fare for personskader ved skarpe kanter i skjæreverket!



Sett inn kredittkort kun vertikalt.



Seglet „Geprüfte Sicherheit“ (GS-merket) sertifiserer at produktet oppfyller kravene i den tyske produktsikkerhetsloven (ProdSG).

GS-merket indikerer at brukerens sikkerhet og helse ikke er i fare når produktet brukes som tiltenkt, og ved forutsigbar feil bruk. Dette er et frivillig sikkerhetsmerke som er utstedt av et egnet testinstitutt.

Kontroller innholdet av pakken

Kontroller innholdet av pakken med din makuleringsmaskin, før du tar i bruk makuleringsmaskinen.

Hvis noe mangler eller er skadet, ta ikke makuleringsmaskinen i drift. Henvend deg til vår service.

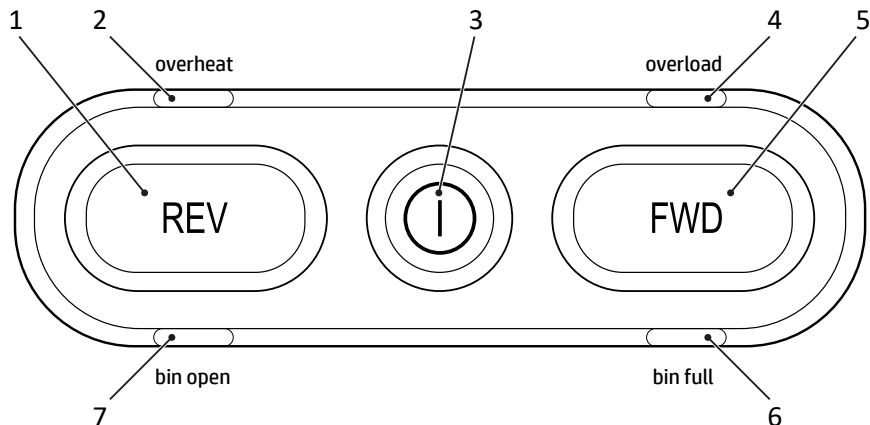
- 1 makuleringsmaskin Pro Shredder 24CC eller Pro Shredder 16MC med oppsamlingsbeholder for avfall
- 1 bruksanvisning
- 1 strømkabel
- 1 ark olje-papir

Din makuleringsmaskin i detalj

Dette bildet viser din makuleringsmaskin i detalj.



1	Betjeningsknapper/statusindikator	5	Håndtak
2	Inntrekk	6	Kontrollvindu/håndtak
3	Skjæreverk	7	Oppsamlingsbeholder
4	Statusindikator foran	8	Hjul



1	Knapp reverskjøring	5	Knapp kjøring forover
2	Status-LED overoppvarming	6	Status-LED oppsamlingsbeholder full
3	Hovedbryter av/på	7	Status-LED oppsamlingsbeholder åpen
4	Status-LED overlast		

Sette opp makuleringsmaskinen og sette den i drift

Din makuleringsmaskin fungerer kun med oppsamlingsbeholderen. Plasser ikke makuleringsmaskinen i nærheten av varmekilder og overhold en avstand på minst 10 cm til veggen. Dermed blir makuleringsmaskinen tilstrekkelig kjølt.

- 1 Sett opp makuleringsmaskinen stabilt på en plan, vannrett overflate og i nærheten av en lett tilgjengelig stikkontakt.
- 2 Skyv oppsamlingsbeholderen inn i maskinen. Oppsamlingsbeholderen går hørbart i ingrepet. Dersom oppsamlingsbeholderen ikke sitter ordentlig i apparatet, kan makuleringsmaskinen ikke slås på.

i Bruk kun den medfølgende nettkabelen.

- 3 Koble strømkabelen til maskinen.
- 4 Koble støpslet til stikkontakten.
- 5 Slå på maskinen ved å trykke på hovedbryteren **av/på**.
 - ➔ Statusindikatoren lyser BLÅTT.
 - ➔ Du har tatt i bruk din makuleringsmaskin.

Betjene makuleringsmaskin

Din makuleringsmaskin arbeider med automatisk makulering. Du betjener makuleringsmaskinen med betjeningsknappene på oversiden av den.

 Makuleringsmaskinen er utstyrt med en ekstra statusindikator i fronten. Denne statusindikatoren gjengir visningene til knappene og LED-ene på oversiden.

Makulere materiale automatisk

Overhold den maksimale skjæreytelsen samt andre spesifikasjoner som er angitt i **Tekniske data**.



Advarsel!

Dette apparatet er ikke bestemt til å bli brukt av barn. Unngå å berøre inntreksåpningen med hendene eller at klær og hår kommer borti den. Trekk ut nettstøpselet når du ikke skal bruke apparatet over lengre tid. I dette apparatet befinner det seg farlige deler i bevegelse, hold kroppsdeler borte fra bevegelige deler.

Viktig!

Materielle skader ved opphopning av materiale! Ta hensyn til maksimal kutteffekt til inntrekket.

- 1 Før inn materialet som skal makuleres midt i inntrekket.
 - ➔ Inntrekket trekker inn materialet og stopper når det ikke lenger tilføres mer materiale.

Makulere materiale manuelt

I sjeldne tilfeller registrerer ikke sensorene innført materiale.

- 1 Hold inne knappen **FWD**.
 - ➔ Materialet trekkes inn manuelt og blir makulert.
- 2 Slipp knappen **FWD**.

Slå av makuleringsmaskinen

Slå av makuleringsmaskinen, når du ikke lenger trenger makuleringsmaskinen.

- 1 Slå av maskinen ved å trykke på hovedbryteren **av/på**.
 - ➔ Du har slått av makuleringsmaskinen.
- 2 Trekk støpslet ut av stikkontakten hvis makuleringsmaskinen ikke skal brukes over en lengre tid.

Hvilemodus

Dersom du ikke skal bruke makuleringsmaskinen på 30 minutter, går maskinen over i hvilemodus. Statusvisningen på fronten av makuleringsmaskinen slukker. Statusvisningen på oversiden av makuleringsmaskinen dimmes.

For å slå av hvilemodus, må du gjennomføre følgende skritt:

- 1 Før inn materialet som skal makuleres midt i inntrekket.
 - ➔ Makuleringsmaskinen er klar til drift igjen.

i Alternativt kan du trykke på **FWD** -knappen eller på **REV** -knappen til makuleringsmaskinen for å slå av hvilemodus.

Hvis noe ikke fungerer

Følgende instruksjoner hjelper deg hvis noe ikke fungerer som forventet.

Overopphetingsvern

Makuleringsmaskinen slår seg av automatisk ved overoppheting. Statusindikatoren lyser RØDT.

Vent til den tide som er angitt i **Tekniske data** er utløpt, slik at makuleringsmaskinen har kjølt seg ned.

- ➔ Etter nedkjølingsfasen lyser statusindikatoren BLÅTT.
- ➔ Skjæreforløpet fortsettes.

i Overhold minsteavstanden til eggen og spesifikasjonene som gjelder for kontinuerlig drift i **Tekniske data**.

Overlastvern

Dersom du har matet inn mer material enn det som er angitt i **Teknisk data** , blinker statusindikatoren RØDT, og makuleringsmaskinen starter den automatiske reverskjøringen i 5 sekunder.

- 1 Trekk materialet ut av makuleringsmaskinen.
 - ➔ Du har løsnet blokkeringen.

i Etter at materialet er fjernet fra makuleringsmaskinen, beveger skjæreverket seg fortsatt i 3 sekunder for å rengjøre seg. Vent til makuleringsmaskinen står i stillstand igjen og statusindikatoren lyser BLÅTT.

Olje skjæreverket

Olje skjæreverket til makuleringsmaskinen regelmessig, for å forlenge levetiden til makuleringsmaskinen.

Det finnes spesiell olje og oljemark for makuleringsmaskiner fra HP.

Viktig!

Materielle skader ved bruk av feil olje! Bruk ikke sprayolje. Bruk utelukkende spesialolje for makuleringsmaskin.

Du har forskjellige muligheter for å olje skjæreverket.

Olje med selvoljet papir:

- 1 Påfør spesialolje for makuleringsmaskin i flere tverrlinjer over et ark papir.
- 2 Før det oljede papiret inn i inntrekket.
 - ➔ Papiret fuktet med olje trekkes inn og olje skjæreverket.

Olje med olje-ark:

- 1 Før inn olje-arket i inntrekket.
 - ➔ Papiret fuktet med olje trekkes inn og olje skjæreverket.

Tømme oppsamlingsbeholder

Oppsamlingsbeholderens påfyllingsnivå overvåkes av en sensor.

i Ved høyere påfyllingsnivå blinker status-LED-en «Oppsamlingsbeholder full» RØDT. Makuleringsmaskinens skjæreverk stanser, og du må tømme oppsamlingsbeholderen.

- 1 Slå av maskinen ved å trykke på hovedbryteren **av/på**.

- 2 Trekk oppsamlingsbeholderen ut av maskinen.

i Dersom du ikke har slått apparatet av, lyser status-LED-en «Oppsamlingsbeholder åpen» RØDT.

- 3 Tøm oppsamlingsbeholderen.

- 4 Skyv oppsamlingsbeholderen inn i maskinen.

➔ Oppsamlingsbeholderen går hørbart i inngrep.

➔ Du har tømt oppsamlingsbeholderen.

Fjern materialrester

Hvis din makuleringsmaskin ikke lenger makulerer slik du forventer, fjern gjenværende materialrester fra skjæreverket.

- 1 Hold inne knappen **REV**. Skjæreverket går baklengs og frigir materiale som ligger i skjæreverket.
- 2 Slipp knappen **REV**.
- 3 Slå av maskinen ved å trykke på hovedbryteren **av/på**.
- 4 Trekk støpslet ut av stikkontakten.



Forsiktig!

Fare for personskader ved skarpe kanter i skjæreverket! Vær spesielt forsiktig ved fjerning av materialrester.

- 5 Fjern gjenværende materialrester fra skjæreverket forsiktig med en egnet spiss gjenstand.
→ Du har fjernet materialrester ut av skjæreverket.

Rengjøre makuleringsmaskin

Rengjør makuleringsmaskinen regelmessig.



Forsiktig!

Fare for personskader ved stikkflamme! Ved bruk av trykkluftspray kan det oppstå stikkflammer. Bruk aldri trykkluftspray.

- 1 Slå av maskinen ved å trykke på hovedbryteren **av/på**.
- 2 Trekk støpslet ut av stikkontakten.
- 3 Rengjør overdelen av huset med en myk, tørr, lofri klut. Bruk ikke noe trykkluftspray, rengjørings- eller løsemiddel.

Tekniske data


Modell	Pro Shredder 24CC	Pro Shredder 16MC
Mål (mm)	B: 295 L: 424 H: 645	B: 295 L: 424 H: 645
Sikkerhetsnivå iht. DIN 66399-2	P-4	P-5
Størrelse makuleringsmateriale (tykkelse × bredde, mm)	4 × 35	2 × 15
mals. kutteeffekt (ark/kredittkort)	24/1	16/1
Arbeidsbredde (mm)	220	220
Strømforsyning	220-240 V~, 50 Hz, 3.0 A, 680 W	220-240 V~, 50 Hz, 3.0 A, 680 W
Maks. omgivelsestemperatur [°C]	25	25
Kapasitet oppsamlingsbeholder (l)	30	30
Vekt (kg)	20	18,2
Lydstyrke (dB)	55	55
Konstant drift (min) / avkjølingstid (min)	40 / 50	40 / 50
Arbeidshastighet (m/min)	1.6	1.6
Kuttetype	Partikkelsnitt	Mikrokutt


Vi erklærer at disse enhetene oppfyller kravene til sikkerhetsnivåene P-4 og P-5 i henhold til DIN 66399 ved makulering av dokumenter.

P-4: Anbefalt for datamedier med spesielt følsomme og fortrolige data. Materialets partikkelareal $\leq 160 \text{ mm}^2$ og for regelmessige partikler: stripebredde $\leq 6 \text{ mm}$ (f.eks. partikkel $4 \times 40 \text{ mm}$).

P-5: Anbefalt for datamedier med data som skal holdes hemmelige. Materialets partikkelareal $\leq 30 \text{ mm}^2$ og for regelmessige partikler: stripebredde $\leq 2 \text{ mm}$ (f.eks. partikkel $2 \times 15 \text{ mm}$).


Avfallshåndtering

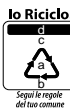
 Symbolet under betyr at brukte elektriske og elektroniske apparater, på grunn av lovbestemmelser, ikke skal kastes som husholdningsavfall. Kasser apparatet ved oppsamlingsstedet til din kommunale renovasjonsordning.

 Følg merkingen på emballasjematerialet når du sorterer avfall, det er merket med forkortelser (b) og tall (a) med følgende betydning: 1–7: plast / 20–22: papir og papp / 80–98: komposittmaterialer.

 Kasser emballasjemateriale i henhold til lokale forskrifter.

 Emballasjen er laget av miljøvennlige materialer som du kan kaste ved ditt lokale gjenvinningscenter. Spør din kommune om mulighetene for korrekt avfallshåndtering.

 Enheten og emballasjematerialet er resirkulerbart. Kasser dem separat for bedre avfallshåndtering. Triman-logoen gjelder kun for Frankrike.

 Enheten og emballasjematerialet er resirkulerbart. Kasser dem separat for bedre avfallshåndtering. Spør din kommune om mulighetene for korrekt avfallshåndtering. Følg merkingen av emballasjematerialet: (a) tall, (b) forkortelser og (c) materiale med følgende betydning: 1–7: plast / 20–22: papir og papp / 80–98: kompositter, så vel som (d) type emballasje. Logoen gjelder kun for Italia.

Informasjon om lagring

Etter bruk må makuleringsmaskinen lagres sikkert. Ta hensyn til følgende instruksjoner:

Lagre makuleringsmaskinen

- kun i originalforpakningen
- på et tørt, rent sted
- kun i avkjølt tilstand

Spørsmål og service

Kjære kunde,

takk for at du har valgt dette produktet.

Hvis det ikke fungerer slik du har forventet, eller er defekt, henvend deg til forhandleren som du har kjøpt produktet fra.

Mer informasjon finner du også i området Kontakt og service på vår nettside www.hp.com/office-equipment.

Samsvarserklæring

CE CE-merkingen på apparatet bekrefter samsvar.

Du finner samsvarserklæringen under www.hp.com/officeequipment.

UK CE-merket på apparatet bekrefter samsvar.

CA Du finner samsvarserklæringen under www.hp.com/officeequipment.

Produsent

GO Europe GmbH
Zum Kraftwerk 1
D-45527 Hattingen
Tyskland

Zapoznanie się z instrukcją obsługi



Proszę uważnie zapoznać się z treścią tej instrukcji obsługi i dostosować się do wskazówek dotyczących zastosowania niszczarki do dokumentów. Instrukcję obsługi przechowywać do późniejszego zastosowania.

Zastosowanie zgodne z przeznaczeniem

Niszczarka do dokumentów jest zdatna do krajania papieru, kart kredytowych, spinaczy i zszywek. Niszczarka do dokumentów jest przystosowana wyłącznie do użytku prywatnego w zamkniętych pomieszczeniach. Każde inne zastosowanie uważane jest za niezgodne z przeznaczeniem. Samowolne zmiany i przebudowy nie są dopuszczalne i doprowadzają do utraty gwarancji.

Przestrzeżenie wskazówek dotyczących bezpieczeństwa

Należy zapoznać się i przestrzegać wskazówek ostrzegawczych, w celu zagwarantowania własnego bezpieczeństwa i bezpieczeństwa otoczenia.



Ostrzeżenie!

Niebezpieczeństwo doznania obrażeń ciała w wyniku działania mechanizmu wciągania. Luźne przedmioty mogą zaplątać się w podajniku i spowodować skałeczenia. Trzymać palce, włosy, szale, krawaty, biżuterię itp. poza zasięgiem podajnika.



Ostrzeżenie!

Niebezpieczeństwo doznania obrażeń ciała w wyniku porażenia prądem. Błędne użytkowanie niszczarki do dokumentów może być przyczyną porażenia prądem. Zabrania się dokonywania samowolnych zmian lub modyfikacji niszczarki do dokumentów. Nie eksploatować niszczarki do dokumentów, jeżeli jej kabel zasilający jest uszkodzony. W przypadku uszkodzenia lub nieodpowiedniego działania natychmiast wyłączyć niszczarkę do dokumentów i odłączyć przewód zasilający. Stosować wyłącznie kabel zasilający, będący elementem dostawy. Wykonywanie napraw należy zlecać jedynie wykwalifikowanemu personelowi specjalistycznemu. Niszczarkę do dokumentów ustawić w pobliżu wolno dostępnego gniazdka wtyczkowego, w celu możliwości szybkiego rozłączenia niszczarki od sieci elektrycznej w razie konieczności. Nigdy nie dotykać urządzenia mokrymi rękoma. Unikać kontaktów z wodą.

Jeżeli urządzenie to nie będzie użytkowane, wtedy należy zawsze odłączyć wtyczkę od napięcia elektrycznego. Stosować wyłącznie kabel sieciowy, który jest elementem dostawy.

**Ostrzeżenie!**

Niebezpieczeństwo uduszenia się przez elementy drobne, materiały opakunkowe lub folie ochronne. Dzieci mogą połknąć drobne elementy, materiały opakowania i folie ochronne. Przechowywać urządzenie i jego opakowanie poza zasięgiem dzieci.

**Ostrzeżenie!**

Z urządzenia mogą korzystać dzieci w wieku od ośmiu lat, osoby z ograniczonymi zdolnościami fizycznymi, sensorycznymi lub mentalnymi lub niedysponujące doświadczeniem i/lub wiedzą, jeżeli są pod nadzorem lub zostały poinstruowane o bezpiecznym korzystaniu z urządzenia i rozumieją niebezpieczeństwa mogące wyniknąć wskutek użytkowania. Dzieciom nie wolno bawić się tym urządzeniem. Czyszczenia i konserwacji nie wolno przeprowadzać dzieciom bez nadzoru.

**Ostrożnie!**

Niebezpieczeństwo potknięcia się przez nieprawidłowo umieszczone kable sieciowe. Kable sieciowe urządzenia umieścić w taki sposób, aby nie mogło dojść do potknięcia się o nie. Uważać, aby nie doszło do uszkodzeń wtyczki i kabla sieciowego.

**Ważne!**

Możliwość szkód materialnych. Unikać wpływów środowiska naturalnego typu dym, pył, wstrząsy, materiały chemiczne, wilgoć, wysoka temperatura i bezpośrednie oddziaływanie promieni słonecznych.

Niszczarkę należy stosować wyłącznie w zamkniętych pomieszczeniach i w zakresie warunków otoczenia określonych w parametrach technicznych.

Przestrzegać poniższych wskazówek dla zapewnienia oczekiwanego działania niszczarki do dokumentów.



Przed uruchomieniem należy przeczytać instrukcję obsługi.



Nigdy nie sięgać bezpośrednio do podajnika.



Długie włosy trzymać poza zasięgiem niszczarki do dokumentów.



Odsunąć dzieci i zwierzęta domowe od niszczarki do dokumentów.



Luźne elementy ubrania, biżuterię i inne luźne przedmioty należy trzymać poza zasięgiem niszczarki do dokumentów.



Nie rozpylać palnych gazów w kierunku niszczarki do dokumentów. Nigdy nie stosować rozpylaczy napędzanych sprężonym powietrzem.



Nie zbliżać się do niszczarki do dokumentów z krawatem lub szalikiem.



Przestrzegać maksymalnie dopuszczalnej ilości kartek (patrz parametry techniczne).



Ogólna wskazówka dotycząca możliwych zagrożeń, wymagających szczególnej uwagi.



Ostrzeżenie!

Niniejsze urządzenie nie jest przeznaczone do użytku przez dzieci. Należy unikać dotyku otworu mechanizmu wciągania rękoma, ubraniem lub włosami. Odłączyć wtyczkę od prądu, jeżeli urządzenie nie będzie eksploatowane przez dłuższy okres czasu. W tym urządzeniu mieszczą się niebezpieczne ruchome elementy, zachować części ciała z dala od ruchomych części.



Produkt należy stosować jedynie w pomieszczeniach wewnętrznych.



Ostrożnie!

Niebezpieczeństwo doznania obrażeń ciała w wyniku ostrych krawędzi urządzenia tnącego!



Karty kredytowe wprowadzać jedynie pionowo.



Symbol «Geprüfte Sicherheit/sprawdzone bezpieczeństwo» (symbol GS) poświadczą, że produkt ten spełnia wymogi niemieckiej ustawy dot. bezpiecznej eksploatacji produktów (ProdSG).

Symbol GS wskazuje na to, iż w przypadku zastosowania zgodnego z przeznaczeniem i przewidywanego nieprawidłowego zastosowania oznakowanego produktu bezpieczeństwo i zdrowie użytkownika nie są zagrożone. Jest to dobrowolne oznakowanie bezpieczeństwa, wydawane przez odpowiednie instytucje kontrolne.

Sprawdzenie zawartości opakowania

Sprawdzić zawartość opakowania niszczarki do dokumentów przed jej uruchomieniem.

W razie braku lub uszkodzenia części nie należy uruchamiać niszczarki do dokumentów. Proszę zwrócić się do naszego działu serwisowego.

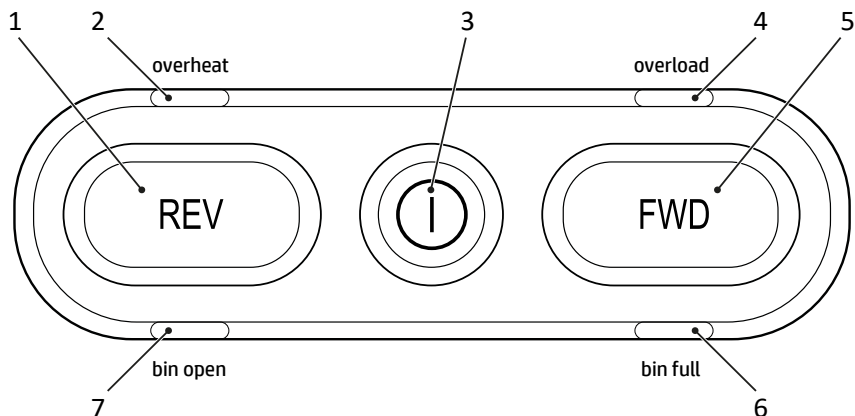
- 1 niszczarka do dokumentów Pro Shredder 24CC lub Pro Shredder 16MC z pojemnikiem zbiorczym dla ciętego materiału
- 1 instrukcja obsługi
- 1 kabel sieciowy
- 1 arkusz papieru olejowego

Widok detaliczny niszczarki do dokumentów

Następujący rysunek przedstawia detaliczny wygląd niszczarki do dokumentów.



1	Przyciski obsługi / Wskaźnik stanu eksploatacyjnego	5	Uchwyt
2	Podajnik	6	Wziernik / uchwyt
3	Mechanizm tnący	7	Pojemnik zbiorczy
4	Wskaźnik stanu eksploatacyjnego z przodu	8	Kółka



1	Przycisk bieg wsteczny	5	Przycisk praca do przodu
2	Dioda LED przegrzanie	6	Dioda LED pojemnik zbiorczy pełny
3	Przełącznik główny Włączony/wyłączony	7	Dioda LED pojemnik zbiorczy otwarty
4	Dioda LED przeciążenie		

Ustawianie i uruchamianie niszczarki do dokumentów

Niszczarka do dokumentów pracuje jedynie z pojemnikiem zbiorczym. Niszczarki do dokumentów nie ustawiać w pobliżu źródeł ciepła i zachować odstęp od ściany wynoszący przynajmniej 10 cm. W ten sposób niszczarka do dokumentów zostaje wystarczająco schładzana.

- 1 Niszczarkę ustawić na równym, poziomym podłożu w pobliżu wolno dostępnego gniazdka wtyczkowego.
- 2 Wsunąć pojemnik zbiorczy do urządzenia. Pojemnik zbiorczy zazębia się w słyszalny sposób. Jeżeli pojemnik zbiorczy nie zostanie poprawnie osadzony w urządzeniu, wtedy nie uda się włączyć niszczarki do dokumentów.

i Stosować wyłącznie kabel zasilający, będący elementem dostawy.

- 3 Podłączyć kabel sieciowy do urządzenia.
- 4 Podłączyć kabel sieciowy do gniazdka wtykowego.
- 5 Włączyć urządzenie naciskając przełącznik główny **Włączony/wyłączony**.
 - ➔ Wskaźnik stanu eksploatacyjnego świeci się w kolorze NIEBIESKIM.
 - ➔ Niszczarka do dokumentów została uruchomiona.

Obsługa niszczarki do dokumentów

Niszczarka do dokumentów pracuje funkcją automatycznego cięcia. Niszczarkę do dokumentów obsługuje się za pomocą przycisków obsługi na górnej stronie urządzenia.

i Niszczarka do dokumentów jest z przodu wyposażona w dodatkowy wskaźnik stanu eksploatacyjnego. Ten wskaźnik stanu eksploatacyjnego odtwarza istniejące u góry przyciski i diody LED.

Automatyczne cięcie materiału

Należy przestrzegać dopuszczalnej ilości niszczonej kartek i dalszych specyfikacji, podanych w treści **parametrów technicznych**.



Ostrzeżenie!

Niniejsze urządzenie nie jest przeznaczone do użytku przez dzieci. Należy unikać dotyku otworu mechanizmu wciągania rękoma, ubraniami lub włosami. Odłączyć wtyczkę od prądu, jeżeli urządzenie nie będzie eksploatowane przez dłuższy okres czasu. W tym urządzeniu mieszczą się niebezpieczne ruchome elementy, zachować części ciała z dala od ruchomych części.

Ważne!

Szkody rzeczowe w wyniku zatoru materiału! Przestrzegać dopuszczalnej ilości niszczonej kartek podajnika.

- 1 Wprowadzać materiał, który ma zostać pocięty, w pozycji środkowej do podajnika.
 - ➔ Podajnik wciąga materiał i zatrzymuje się, jeżeli dalszy materiał nie zostanie podawany.

Ręczne nastawienie cięcia

W rzadkich przypadkach czujniki nie rozpoznają wprowadzanego materiału.

- 1 Nacisnąć na przycisk **FWD** i trzymać go pod naciskiem.
 - ➔ Materiał wciągany i cięty jest manualnie.
- 2 Zwolnić przycisk **FWD**.

Wyłączanie niszczarki do dokumentów

Niszczarkę do dokumentów należy wyłączyć, jeżeli nie jest już potrzebna.

- 1 Wyłączyć urządzenie naciskając przełącznik główny **Włączony/wyłączony**.
 - ➔ Niszczarka do dokumentów została wyłączona.
- 2 Odłączyć wtyczkę sieciową od gniazdka, jeżeli niszczarka do dokumentów nie będzie eksploatowana przez dłuższy okres czasu.

Tryb uśpienia

Jeżeli niszczarka do dokumentów nie będzie eksploatowana przez okres 30 minut, wtedy przełączy się ona do trybu uśpienia. Gaśnie wskaźnik stanu eksploatacyjnego na przedniej stronie niszczarki do dokumentów. Wskaźnik stanu eksploatacyjnego na górnej stronie zostaje ściemniony.

W celu wyłączenia trybu uśpienia należy postępować jak następuje:

1 Wprowadzać materiał, który ma zostać pocięty, w pozycji środkowej do podajnika.

→ Niszczarka do dokumentów jest znów gotowa do eksploatacji.

i Alternatywnie można nacisnąć na przycisk **FWD** lub przycisk **REV** niszczarki do dokumentów w celu wyłączenia trybu uśpienia.

Postępowanie w przypadku usterki

Poniższe wskazówki są pomocne w przypadku braku lub błędnych funkcji.

Zabezpieczenie przed przegrzaniem

Niszczarka do dokumentów wyłącza się w sposób automatyczny w przypadku przegrzania. Wskaźnik stanu eksploatacyjnego świeci się w kolorze CZERWONYM.

Odczekać czas, który został podany w **parametrach technicznych**, do momentu ochłodzenia niszczarki do dokumentów.

→ Wskaźnik stanu eksploatacyjnego świeci się po fazie ochłodzenia w kolorze NIEBIESKIM.

→ Proces rozdrabniania zostaje kontynuowany.

i Zachować minimalny odstęp od ściany i przestrzegać danych umieszczonych w **parametrach technicznych** odnośnie pracy ciągłej.

Zabezpieczenie przed przepiętniem

Jeżeli wprowadzono więcej materiału, niż zostało to podane w **parametrach technicznych**, wtedy pulsuje wskaźnik stanu eksploatacyjnego w kolorze CZERWONYM i niszczarka do dokumentów przełącza się w sposób automatyczny do pracy wstecz na okres 5 sekund.

1 Wyciągnąć materiał z niszczarki do dokumentów.

→ Blokada zostaje w ten sposób rozwiązana.

i Po usunięciu materiału z niszczarki do dokumentów mechanizm tnący pracuje dalej przez okres 3 sekund w celu wyczyszczenia się. Należy odczekać stan bezruchu niszczarki do dokumentów i zapalenie się wskaźnika eksploatacyjnego w kolorze NIEBIESKIM.

Smarowanie mechanizmu tnącego

W regularnych odstępach smarować noże tnące niszczarki do dokumentów, w celu wydłużenia jej żywotności.

Oferowany jest specjalny olej i kartki z olejem do niszczarek do dokumentów firmy HP.

Ważne!

Szkody rzeczowe w wyniku zastosowania błędnego oleju! Nie stosować smarów rozpylanych. Stosować wyłącznie oleje specjalne do niszczarek do dokumentów.

Istnieją różne możliwości nasmarowania mechanizmu tnącego.

Smarowanie za pomocą samodzielnie naoliwionego papieru:

- 1 Nanieść olej specjalny do niszczarek do dokumentów w kilku liniach poprzecznych na kartkę papieru.
- 2 Wprowadzić tą kartkę z olejem do podajnika.
 - ➔ Naoliwiona karta papieru zostaje wciągnięta i smaruje mechanizm tnący.

Smarowanie za pomocą kartek olejowych

- 1 Wprowadzić kartkę olejową do podajnika.
 - ➔ Naoliwiona karta papieru zostaje wciągnięta i smaruje mechanizm tnący.

Opróżnianie pojemnika zbiorczego

Nad poziomem napełnienia pojemnika zbiorczego nadzoruje czujnik.

i W przypadku wysokiego poziomu napełnienia dioda LED stanu eksploatacyjnego „Pojemnik zbiorczy pełny“ pulsuje w kolorze CZERWONYM. Mechanizm tnący niszczarki do dokumentów zatrzymuje się i należy opróżnić pojemnik zbiorczy.

1 Wyłączyć urządzenie naciskając przetącznik główny **Włączony/wyłączony**.

2 Wyjąć pojemnik zbiorczy z urządzenia.

i Jeżeli urządzenie nie zostało wyłączone, wtedy świeci się dioda LED stanu eksploatacyjnego „Pojemnik zbiorczy otwarty“ w kolorze CZERWONYM.

3 Opróżnić pojemnik zbiorczy.

4 Wsunąć pojemnik zbiorczy do urządzenia.

➔ Pojemnik zbiorczy zazębia się w słyszalny sposób.

➔ Został opróżniony pojemnik zbiorczy.

Usuwanie pozostałości materiału

Jeżeli niszczarka do dokumentów nie spełnia oczekiwań odnośnie jakości cięcia materiału, usunąć pozostałe resztki materiału z urządzenia tnącego.

- 1 Nacisnąć na przycisk **REV** i trzymać go pod naciskiem. Urządzenie tnące porusza się do tyłu i wydaje materiał pozostały w urządzeniu tnącym.
- 2 Zwolnić przycisk **REV**.
- 3 Wyłączyć urządzenie naciskając przełącznik główny **Włączony/wyłączony**.
- 4 Odłączyć wtyczkę z gniazdka wtykowego.



Ostrożnie!

Niebezpieczeństwo doznania obrażeń ciała w wyniku ostrych krawędzi urządzenia tnącego! Podczas usuwania resztek materiału należy zachować szczególną ostrożność.

- 5 Usunąć pozostałości materiału z urządzenia tnącego za pomocą odpowiedniego ostrego przedmiotu.
→ Zostały usunięte pozostałości materiału z mechanizmu tnącego.

Czyszczenie niszczarki do dokumentów

Niszczarkę do dokumentów należy czyścić w regularnych odstępach czasu.



Ostrożnie!

Zagrożenie doznania obrażeń w wyniku płomienia spiczastego! W przypadku zastosowania rozpylaczy napędzanych sprężonym powietrzem mogą powstawać płomienie spiczaste. Nigdy nie stosować rozpylaczy napędzanych sprężonym powietrzem.

- 1 Wyłączyć urządzenie naciskając przełącznik główny **Włączony/wyłączony**.
- 2 Odłączyć wtyczkę z gniazdka wtykowego.
- 3 Oczyszczyć powierzchnie korpusu za pomocą miękkiej, suchej, nie strzępiącej się ściereki. Nie stosować rozpylaczy na sprężone powietrze, środków czyszczących i rozpuszczalników.

Parametry techniczne


Model	Pro Shredder 24CC	Pro Shredder 16MC
Wymiary (mm)	szer.: 295 dł.: 424 wys: 645	szer.: 295 dł. 424 wys: 645
Poziom bezpieczeństwa według DIN 66399-2	P-4	P-5
Wielkość ciętego materiału (grubość × szerokość, mm)	4 × 35	2 × 15
maks. ilość niszczonej kartki (kartki / karty kredytowe)	24/1	16/1
Szerokość robocza (mm)	220	220
Zasilanie w prąd	220-240 V~, 50 Hz, 3.0 A, 680 W	220-240 V~, 50 Hz, 3.0 A, 680 W
Maks. temperatura otoczenia [°C]	25	25
Objętość pojemnika zbiorczego (l)	30	30
Masa (kg)	20	18,2
Natężenie dźwięku (dB)	55	55
Eksploatacja stała (min) / okres schładzania (min)	40 / 50	40 / 50
Prędkość robocza (m/min)	1.6	1.6
Rodzaj cięcia	Cięcie na cząstki	Cięcie na cząstki rodzaju mikro


Oświadczamy niniejszym, że urządzenia te spełniają przy niszczeniu dokumentów warunki stopni bezpieczeństwa P-4 i P-5 według DIN 66399.


P-4: Zalecany dla nośników danych zawierających dane szczególnie wrażliwe i poufne Powierzchnia cząstek materiału $\leq 160 \text{ mm}^2$ i dla foremnych cząstek: szerokość pasma $\leq 6 \text{ mm}$ (przykładowo cząstki $4 \times 40 \text{ mm}$).



P-5: Zalecany dla nośników danych zawierających dane tajne. Powierzchnia cząstek materiału $\leq 30 \text{ mm}^2$ i dla foremnych cząstek: szerokość pasma $\leq 2 \text{ mm}$ (przykładowo cząstki $2 \times 15 \text{ mm}$).

Utylizacja


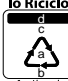
 Przedstawiony obok symbol oznacza, że zużyte urządzenia elektryczne i elektroniczne należy zgodnie z przepisami utylizować oddzielnie od odpadów z gospodarstw domowych. Utylizować urządzenie w miejscu zbiórki komunalnego przedsiębiorstwa do usuwania odpadów.

 Przy segregacji materiału opakowania należy dostosować się do jego oznakowania, które zostało opisane za pomocą skrótów (b) i numerów (a) o poniższym znaczeniu: 1–7: tworzywa sztuczne / 20–22: papier i tektura / 80–98: materiały kompozytowe.

 Materiały opakowania należy usuwać zgodnie z przepisami lokalnymi.

  Opakowanie składa się z materiałów przyjaznych dla środowiska, które można utylizować w miejscowych punktach recyklingu. Informacje dotyczące możliwości poprawnego usuwania odpadów dostępne są w administracji gminy.

 Przyrząd i materiały opakowaniowe nadają się do recyklingu, należy usuwać je oddzielnie dla lepszego sortowania odpadów. Logo Triman obowiązuje tylko we Francji.

 **Io Riciclo!**  Przyrząd i materiały opakowaniowe nadają się do recyklingu, należy usuwać je oddzielnie dla lepszego sortowania odpadów. Informacje dotyczące możliwości poprawnego usuwania odpadów dostępne są w administracji gminy. Proszę uwzględnić oznakowanie materiału opakowania: (a) numery, (b) skróty i (c) materiał o poniższym znaczeniu: 1–7: tworzywa sztuczne / 20–22: papier i tektura / 80–98: materiały kompozytowe, a także (d) rodzaj opakowania. Ten znak graficzny obowiązuje jedynie dla Włoch.

Wskazówki dotyczące magazynowania

Po zakończeniu użytkowania niszczarki do dokumentów magazynować ją w odpowiednim miejscu. Zwrócić uwagę na następujące informacje:

Niszczarkę do dokumentów przechowywać

- jedynie w oryginalnym opakowaniu
- w suchym, czystym miejscu
- po schłodzeniu niszczarki

Pytania i serwis

Drogi Kliencie,

decyzja zakupu właśnie tego urządzenia sprawiła nam szczególną radość.

W przypadku defektu prosimy o oddanie urządzenia w oryginalnym opakowaniu wraz z potwierdzeniem zakupu w tej placówce handlowej, w której dokonano zakupu.

Dalsze informacje zostały podane w polu Kontakt & Service na naszej stronie Internetowej www.hp.com/officeequipment.

Deklaracja zgodności

CE Znak CE na urządzeniu potwierdza zgodność.

Deklaracja zgodności jest dostępna pod adresem www.hp.com/officeequipment.

UK Oznakowanie UKCA znajdujące się na urządzeniu potwierdza zgodność.

CA Deklaracja zgodności jest dostępna pod adresem www.hp.com/officeequipment.

Producent

GO Europe GmbH
Zum Kraftwerk 1
D-45527 Hattingen
Niemcy

Leia o manual de instruções



Leia atentamente o manual de instruções e tenha-o em consideração ao manusear o seu destruidor de documentos. Guarde o manual de instruções para uma consulta posterior.

Utilização conforme a finalidade

O seu destruidor de documentos é apropriado para destruir papel, cartões de crédito, cliques e agrafos. O destruidor de documentos destina-se exclusivamente para uso privado em recintos fechados.

Qualquer utilização diferente conta como não corrente. Não são permitidas alterações ou remoções por conta própria que levam a cessação da garantia.

Observar os avisos de segurança

Leia e tenha em conta as advertências a proteger-se e a proteger o meio ambiente.



Advertência!

Risco de lesão através do mecanismo de alimentação. Objetos soltos podem ficar presos no lado de entrada e causar lesões. Mantenha os dedos, o cabelo, os cachecóis, as gravatas, a joalheria, etc. afastados da alimentação.



Advertência!

Risco de ferimento por eletrocussão. Uma utilização incorreta do destruidor de documentos pode provocar choques elétricos. Não são permitidas alterações ou remoções por conta própria no destruidor de documentos. Não operar o destruidor de documentos com um cabo elétrico danificado. Ao notar danificações deve desligar o destruidor de documentos imediatamente e retirar a ficha de rede. Utilizar exclusivamente o cabo elétrico fornecido.

Deixe apenas pessoal qualificado realizar as respetivas reparações. Instalar o destruidor de documentos a uma tomada de fácil acesso para permitir que o destruidor de documentos seja rapidamente desligado da rede elétrica em caso de emergência. Nunca tocar-lo com as mãos molhadas. Evitar qualquer contacto do aparelho com a água. Desligar sempre a ficha de rede ao não utilizar o aparelho. Utilizar exclusivamente o cabo elétrico fornecido.



Advertência!

Perigo de asfixia através de pequenas peças, materiais de embalagem ou películas de proteção. As crianças podem ingerir pequenas peças, materiais de embalagem ou películas de proteção. Mantenha as crianças afastadas do aparelho e das suas embalagens.

**Advertência!**

Este aparelho pode ser usado por crianças a partir de oito anos de idade bem como por pessoas com deficiências físicas, sensoriais ou mentais ou com falta de experiência e/ou conhecimento, se forem supervisionadas ou instruídas quanto a utilização segura do aparelho e se compreenderem os perigos daí resultantes. Crianças não devem brincar com o aparelho. A limpeza e manutenção não devem ser executadas por crianças sem supervisão.

**Atenção!**

Perigo de tropeçar devido a cabos elétricos indevidamente montados. Instale o cabo elétrico de modo que ninguém possa tropeçar. Certifique-se que não possam ocorrer danos à ficha de rede e ao cabo elétrico.

**Importante!**

Possível dano material. Evite fumo, poeiras, vibrações, substâncias químicas, humidade, calor ou insolação direta.

Utilizar o destruidor de documentos só em espaços interiores e dentro das condições ambientais permitidas, indicadas nos dados técnicos.

Tenha em atenção os seguintes avisos para que o destruidor de documentos funcione sempre como desejado.



Antes de colocar o aparelho em funcionamento deve ler o manual de instruções.



Manter os cabelos compridos longe do seu destruidor de documentos.



Manter peças de roupa largas, jóias ou outros objetos soltos afastados do seu destruidor de documentos.



Manter as gravatas e os xailes longe do destruidor de documentos.



Aviso geral sobre perigos possíveis que podem requerer a sua atenção especial.



Nunca deve colocar as mãos na entrada.



Manter crianças e animais domésticos longe do seu destruidor de documentos.



Não dirigir gases inflamáveis contra o seu destruidor de documentos. Nunca utilize sprays de ar de pressão.



Tenha em atenção o número máximo de folhas (veja Dados técnicos).

**Atenção!**

Perigo de ferimentos devido ao mecanismo de corte afiado!

**Advertência!**

Este aparelho não é indicado para ser utilizado por crianças. Evitar o contacto da abertura de alimentação com mãos, vestuário ou cabelos.

Tire a ficha de rede se o aparelho não for utilizado durante um período prolongado. Neste aparelho há perigosas peças móveis; mantenha os membros corporais longe das peças móveis.



Utilize o produto apenas em recintos interiores.



Não inserir cartões de créditos na vertical.



O selo “Segurança testada” (marca GS) certifica que o produto cumpre as exigências da legislação alemã relativa à segurança dos produtos (ProdSG).

A marca GS indica que a segurança e a saúde do utilizador não correm riscos se o produto certificado for utilizado conforme a sua finalidade, tendo em conta a má utilização razoavelmente previsível. Trata-se de um símbolo de segurança dado de livre vontade e emitido por um instituto de ensaios adequado.

Verificar o conteúdo da embalagem

Verifique o conteúdo da embalagem do seu destruidor de documentos antes de colocar o seu destruidor de documentos em funcionamento. Por favor, nunca colocar o aparelho em funcionamento caso falte algo ou algo esteja danificado. Entre em contacto com o nosso serviço.

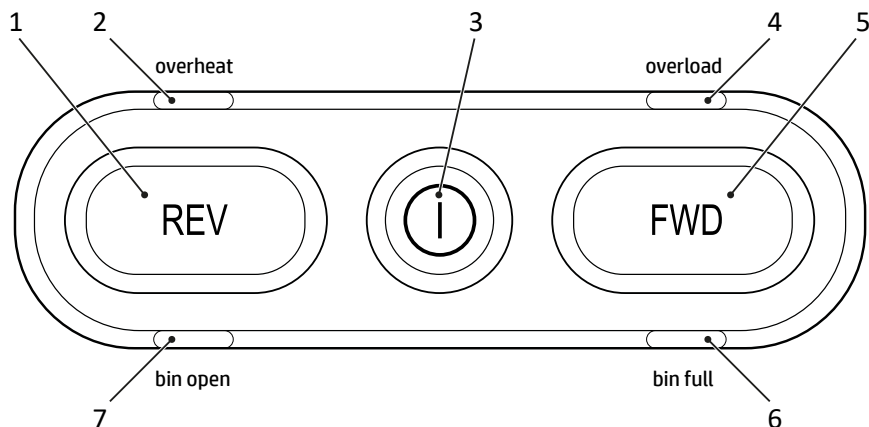
- 1 destruidor de documentos Pro Shredder 24CC ou Pro Shredder 16MC com recipiente de recolha para materiais cortados
- 1 manual de instruções
- 1 cabo elétrico
- 1 folha de papel oleado

O seu destruidor de documentos em detalhe

As seguintes ilustrações mostram detalhadamente o seu destruidor de documentos.



1	Botões de controlo / Indicação do estado	5	Pega
2	Entrada	6	Janela de visualização / Pega
3	Dispositivo de corte	7	Recipiente de recolha
4	Indicação do estado frontal	8	Rolos



1	Botão Modo de retrocesso	5	Botão Modo de avanço
2	LED de estado Sobreaquecimento	6	LED de estado Recipiente de recolha cheio
3	Interruptor principal Ligar/Desligar	7	LED de estado Recipiente de recolha aberto
4	LED de estado Sobrecarga		

Ligar o destruidor de documentos e iniciar a utilização

O seu destruidor de documentos funciona apenas com o recipiente de recolha. Não instalar o destruidor de documentos perto de fontes de calor e manter uma distância de pelo menos 10 cm até à parede. Deste modo, o destruidor de documentos é arrefecido o suficiente.

- 1 Posicione o destruidor de documentos bem seguro numa superfície plana e horizontal, perto de uma tomada de bom acesso.
 - 2 Empurre o recipiente de recolha para dentro do aparelho. O recipiente de recolha engrena audivelmente. Caso o recipiente de recolha não for colocado corretamente no aparelho, o destruidor de documentos não pode ser ligado.
- i** Utilizar exclusivamente o cabo elétrico fornecido.
- 3 Conectar o cabo elétrico ao aparelho.
 - 4 Ligar a ficha de rede à tomada.
 - 5 Ligar o aparelho, pressionando em **Ligar/Desligar** do interruptor principal.
 - ➔ A indicação do estado ascende-se com a cor AZUL.
 - ➔ Colocou o seu destruidor de documentos em funcionamento.

Operar o destruidor de documentos

O destruidor de documentos funciona com um mecanismo de trituração automático. O destruidor de documentos é operado por meio dos botões de controlo na parte superior do aparelho.

- No lado da frente o destruidor de documentos é equipado com mais uma indicação do estado. Esta indicação do estado apresenta as indicações dos botões e LED's existentes no lado superior.

Trituração automática de materiais

Tenha em atenção a máxima capacidade de corte permitida e as especificações indicadas nos dados técnicos.



Advertência!

Este aparelho não é indicado para ser utilizado por crianças. Evitar o contacto da abertura de alimentação com mãos, vestuário ou cabelos. Tire a ficha de rede se o aparelho não for utilizado durante um período prolongado. Neste aparelho há perigosas peças móveis; mantenha os membros corporais longe das peças móveis.

Importante!

Danos materiais devido a obstrução de material! Tenha em atenção a capacidade máxima de corte da entrada.

- 1 Insira o material a ser triturado no centro da entrada.
 - ➔ A entrada puxa o material e para se não haver mais material a ser alimentado.

Trituração manual de materiais

É raro que os sensores não reconhecem o material a ser alimentado.

- 1 Premir o botão **FWD** e manter-lo premido.
 - ➔ O material é puxado e destruído manualmente.
- 2 Soltar o botão **FWD**.

Desligar o destruidor de documentos

Desligue o destruidor de documentos se já não esteja a utilizá-lo.

- 1 Desligar o aparelho, pressionando em **Ligar/Desligar** do interruptor principal.
 - ➔ Desligou o destruidor de documentos.
- 2 Tirar a ficha de rede da tomada se o destruidor de documentos não for utilizado durante um período prolongado.

Modo de espera

Ao não utilizar o destruidor de documentos durante 30 minutos, o destruidor de documentos entra no modo de espera. A indicação do estado no lado da frente do destruidor de documentos apaga-se. A intensidade da indicação do estado no lado superior do destruidor de documentos será reduzida.

Faça os seguintes passos para desligar o modo de espera:

- 1 insira o material a ser triturado no centro da entrada.
 - O destruidor de documentos está novamente preparado para ser usado.

i Alternativamente, pode pressio

Caso algo não funcione

As seguintes sugestões ajudam se alguma coisa não esteja a funcionar como deseja.

Proteção contra sobreaquecimento

Ao ser sobreaquecido o destruidor de documentos desliga-se automaticamente. A indicação do estado ascende-se a VERMELHO.

Tenha em atenção o tempo indicado nos **dados técnicos** que o destruidor de documentos necessita para arrefecer.

- Após a fase de arrefecimento, a indicação do estado ascende-se a AZUL.
- A trituração continua.

i Tenha em atenção a distância mínima até à parede e as indicações sobre o funcionamento permanente nos **dados técnicos**.

Proteção contra sobrecarregamento

Ao inserir mais material do que indicado nos **dados técnicos**, a indicação do estado pisca a vermelho e o destruidor de documentos inicia a sua marcha inversa durante 5 segundos.

- 1 Puxar o material para fora do destruidor de documentos.
 - Resolveu a obstrução.
- i** Depois de ter tirado o material do destruidor de documentos, o dispositivo de corte continua a girar durante 3 segundos para realizar uma limpeza. Aguardar até que o destruidor de documentos fique novamente imóvel e a indicação do estado se acenda a AZUL.

Olear o dispositivo de corte

Para prolongar a vida útil do seu destruidor de documentos, lubrifique o mecanismo de corte do destruidor de documentos em intervalos regulares.

Estão disponíveis um óleo especial e folhas oleadas para o destruidor de documentos da marca HP.

Importante!

Ao utilizar óleo errado pode causar danos materiais! Não utilize óleos de pulverização. Utilize exclusivamente óleo especial para destruidores de documentos.

Existem várias possibilidades de olear o dispositivo de corte.

Olear com papel oleado por si:

- 1 Aplique o óleo especial para destruidores de documentos em várias linhas transversais numa folha de papel.
- 2 Insira a folha de papel oleada na entrada.
 - ➔ O papel humedecido pelo óleo é puxado para dentro e lubrifica o mecanismo de corte.

Olear com folhas oleadas

- 1 Insira a folha de papel oleada na entrada.
 - ➔ O papel humedecido pelo óleo é puxado para dentro e lubrifica o mecanismo de corte.

Esvaziar o recipiente de recolha

O nível de enchimento do recipiente de recolha é controlado por um sensor.

i No caso de um nível de enchimento elevado o LED de estado “Recipiente de recolha cheio” pisca a VERMELHO. O dispositivo de corte do destruidor de documentos para e o recipiente de recolha deve ser vaziado.

- 1 Desligar o aparelho, pressionando em **Ligar/Desligar** do interruptor principal.
- 2 Puxe o recipiente de recolha para fora do aparelho.
 - i** Se o aparelho não for desligado, o LED de estado “Recipiente de recolha aberto” ascende-se a VERMELHO.
- 3 Esvazie o recipiente de recolha.
- 4 Empurre o recipiente de recolha para dentro do aparelho.
 - ➔ O recipiente de recolha engrena audivelmente.
 - ➔ Esvaziou o recipiente de recolha

Retirar restos de material

Caso o seu destruidor de documentos não triture o material como esperado, remova eventuais restos de material ainda existentes no mecanismo de corte.

- 1 Premir o botão **REV** e manter-lo premido. O mecanismo de corte anda na marcha inversa e liberta eventuais materiais restantes no mecanismo de corte.
- 2 Soltar o botão **REV**.
- 3 Desligar o aparelho, pressionando em **Ligar/Desligar** do interruptor principal.
- 4 Tire a ficha de rede da tomada.



Atenção! Perigo de ferimentos devido ao mecanismo de corte afiado! Tenha especial cuidado ao remover os restos de material.

- 5 Retire com cuidado os restos de material com um objeto afiado e adequado do mecanismo de corte.
→ Retirou os restos de material do dispositivo de corte.

Limpar o destruidor de documentos

Limpe o destruidor de documentos em intervalos regulares.



Atenção! Risco de ferimento por chama alta! A utilização de sprays de ar comprimido pode causar chamas grandes. Nunca utilize sprays de ar de pressão.

- 1 Desligar o aparelho, pressionando em **Ligar/Desligar** do interruptor principal.
- 2 Tire a ficha de rede da tomada.
- 3 Limpar as superfícies da caixa com um pano macio, seco e sem soltar fiapos. Não deve utilizar qualquer spray de ar comprimido, detergente ou solvente.

Dados técnicos


Modelo	Pro Shredder 24CC	Pro Shredder 16MC
Dimensões (mm)	L: 295 C.: 424 A: 645	L: 295 C.: 424 A: 645
Classe de proteção conforme DIN 66399-2	P-4	P-5
Tamanho do material de corte (espessura × largura, mm)	4 × 35	2 × 15
Capacidade de corte máx. (folhas / cartões de crédito)	24/1	16/1
Largura operacional (mm)	220	220
Alimentação elétrica	220-240 V~, 50 Hz, 3.0 A, 680 W	220-240 V~, 50 Hz, 3.0 A, 680 W
Temperatura ambiente máx. [°C]	25	25
Capacidade volumétrica Recipiente de recolha (l)	30	30
Peso (kg)	20	18,2
Nível sonoro (dB)	55	55
Funcionamento contínuo (min) / tempo de arrefecimento (min)	40 / 50	40 / 50
Velocidade operacional (m/min)	1.6	1.6
Tipo de corte	Corte em partículas	Micro-corte

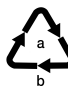
Declaramos que estes aparelhos para destruir documentos cumprem os pré-requisitos do nível de segurança P-4 e P-5 conforme DIN 66399 durante os seus funcionamentos.

P-4: É recomendado para suporte de dados com dados especialmente sensíveis e confidenciais. Área de partículas de material $\leq 160 \text{ mm}^2$ e para partículas regulares: largura da fita $\leq 6 \text{ mm}$ (p. ex. partícula de $4 \times 40 \text{ mm}$).


P-5: É recomendado para suporte de dados com dados que devem ser mantidos em segredo. Área de partículas de material $\leq 30 \text{ mm}^2$ e para partículas regulares: largura da fita $\leq 2 \text{ mm}$ (p. ex. partícula de $2 \times 15 \text{ mm}$).


Eliminação


 O símbolo que segue significa que os aparelhos elétricos e eletrónicos antigos devem ser eliminados separadamente dos resíduos domésticos em conformidade com as normas legais. Elimine o seu aparelho num centro de recolha da sua entidade de reciclagem comunal.

 Na separação de resíduos, tenha atenção à identificação do material de embalagem, identificados pelas abreviaturas (b) e os números (a) com o seguinte significado: 1-7: plásticos / 20-22: papel e papelão / 80-98: compósitos.

 Elimine os materiais de embalagem conforme as disposições locais.

 A embalagem é feita de materiais biodegradáveis, que podem ser eliminados nas instituições de reciclagem locais. Informe-se sobre as possíveis eliminações corretas no seu município.

 Tanto o aparelho como também o material de embalagem podem ser reciclados, por favor, separe-os para facilitar o tratamento de resíduos. O logotipo de Triman é válido apenas na França.

Io Riciclo!
 Tanto o aparelho como também o material de embalagem podem ser reciclados, por favor, separe-os para facilitar o tratamento de resíduos. Informe-se sobre as possíveis eliminações corretas no seu município. Na separação de resíduos, tenha atenção à seguinte identificação do material de embalagem: (a) números, (b) abreviaturas e (c) material com o seguinte significado: 1-7: plásticos / 20-22: papel e papelão / 80-98: compósitos, bem como (d) tipo de embalagem. O logotipo é válido apenas na Itália.

Avisos para a armazenagem

Após o uso o destruidor de documentos deve ser guardado em segurança. Observar os seguintes avisos:

Guardar o destruidor de documentos

- apenas na embalagem original
- num local seco e limpo
- e só no estado arrefecido

Perguntas e serviço

Prezado cliente,

apraz-nos saber que optou em favor desse aparelho. Caso surja um defeito, queira devolver o aparelho, junto com o comprovante de compra e a embalagem original, ao mercado onde adquiriu.

Vale o prazo de garantia legal.

Encontrará mais informações também na seção Contacto & Serviço na nossa página web www.hp.com/officeequipment.

Declaração de conformidade

CE A marcação CE no aparelho confirma a conformidade.

A declaração de conformidade pode ser lida em www.hp.com/officeequipment.

UK A marca UKCA neste aparelho confirma a sua conformidade.

CA A declaração de conformidade pode ser lida em www.hp.com/officeequipment.

Fabricante

GO Europe GmbH
Zum Kraftwerk 1
D-45527 Hattingen
Alemanha

Citirea manualului de utilizare



Citiți cu atenție manualul de utilizare și respectați indicațiile în timpul operării distrugătorului de documente. Păstrați manualul de utilizare pentru o utilizare ulterioară.

Utilizarea conform dispoziției

Distrugătorul dvs. de hârtie este potrivit pentru mărunțirea hârtiei, cardurilor de credit, agrafelor și capselor de birou. Distrugătorul de documente este conceput exclusiv utilizării private în spații închise.

Orice altă utilizare este considerată ca fiind neconformă. Sunt interzise modificările sau transformările arbitrare și duc la pierderea garanției.

Respectarea instrucțiunilor de siguranță

Citiți și respectați indicațiile de avertizare pentru protecția proprie și protejarea mediului.



Avertisment!

Pericol de rănire prin mecanismul de prindere. Obiectele slăbite pot fi prinse în fantă și pot provoca vătămări. Țineți-vă departe degetele, părul, șalul, cravata, bijuteriile etc. de fantă.



Avertisment!

Pericol de rănire prin electrocutare. Manipularea incorectă a distrugătorului de documente poate duce la electrocutare. Sunt interzise modificările sau transformările arbitrare la distrugătorul de documente. Nu operați distrugătorul de documente cu un cablu de rețea deteriorat. Dacă distrugătorul de documente este deteriorat sau nu funcționează corect, opriți-l imediat și scoateți fișa de rețea. Utilizați exclusiv cablul de rețea livrat.

Reparațiile trebuie efectuate numai de către un personal de specialitate. Amplasați distrugătorul de documente lângă o priză ușor accesibilă, astfel încât distrugătorul de documente să poată fi deconectat rapid de la sursa de alimentare în caz de urgență. Nu apucați aparatul niciodată cu mâini umede. Evitați contactul cu apă.

Scoateți întotdeauna fișa de rețea când aparatul nu este utilizat. Utilizați exclusiv cablul de rețea livrat.



Avertisment!

Pericol de sufocare din cauza pieselor mici, materialelor de ambalare sau foliilor de protecție. Copiii pot înghiți piesele mici, foliile de împachetare sau de protecție. Țineți departe copiii de aparat și de ambalajul acestuia.

**Avertisment!**

Acest aparat poate fi utilizat de copiii începând cu vârsta de 8 ani, precum și persoane cu dizabilități fizice, tactile sau mentale sau persoane fără experiență și/sau cunoștință, dacă aceste persoane sunt supravegheate sau au fost instruite cu privire la utilizarea în siguranță a aparatului și înțeleg pericolele rezultate din utilizarea aparatului. Este interzis copiilor să se joace cu aparatul. Curățarea și întreținerea nu pot fi efectuate de către copii fără supraveghere.

**Precauție!**

Pericol de împiedicare din cauza cablului de alimentare amplasat necorespunzător. Amplasați cablul de alimentare astfel, încât să nu împiedice nimeni de el. Asigurați-vă că fișa de rețea și cablul de rețea nu sunt deteriorate.

**Important!**

Pot apărea daune materiale. Evitați influențele de mediu precum fumul, praful, vibrațiile, substanțele chimice, umezeala, căldura sau lumina directă a soarelui.

Utilizatorul distrugătorul de documente numai în spații închise și în condițiile de mediu admise în Datele tehnice.

Respectați următoarele indicații pentru ca distrugătorul de documente să funcționeze mereu conform așteptărilor dvs.



Înainte de punerea în funcțiune, citiți manualul de utilizare.



Țineți-vă departe părul lung de distrugătorul de documente.



Țineți departe piesele largi de îmbrăcăminte, bijuteria sau alte obiecte nefixate de distrugătorul de documente.



Țineți departe cravatele și șalurile de distrugătorul de documente.



Informații generale despre pericolele posibile care necesită o atenție specială.



Nu introduceți niciodată mâna în fantă.



Țineți departe copiii și animalele de casă de distrugătorul de documente.



Nu pulverizați gaze inflamabile în direcția distrugătorului de documente. Nu utilizați niciodată spray-uri cu aer comprimat.



Respectați numărul maxim de coli (consultați secțiunea Date tehnice).

**Precauție!**

Pericol de rănire din cauza dispozitivului de tăiere ascuțit!



Avertisment!

Aparatul nu este conceput pentru utilizarea de către copii. Evitați să atingeți gura de prindere cu mâinile, hainele sau părul.

Scoateți fișa de rețea, dacă nu utilizați aparatul pentru o perioadă mai lungă. În aparat există piese mobile periculoase, țineți-vă departe părțile corpului de piesele mobile.

Utilizați produsul numai în spații interioare.



Introduceți numai vertical cardurile de credit.



Marca «Geprüfte Sicherheit» (marca GS, Siguranță Testată) certifică faptul că produsul îndeplinește cerințele definite de Legea germană privind siguranța produselor (ProdSG).

Marca GS indică faptul că siguranța și sănătatea utilizatorului nu sunt puse în pericol dacă produsul este utilizat conform destinației și în caz de o posibilă utilizare neadecvată. Este vorba de o marcă de certificare voluntară acordată de un institut de testare autorizat.

Verificați conținutul ambalajului

Înainte de punerea în funcțiune a distrugătorului de documente verificați conținutul pachetului.

Dacă lipsește vreo piesă sau este deteriorată, nu puneți în funcțiune distrugătorul de documente. Adresați-vă serviciului nostru.

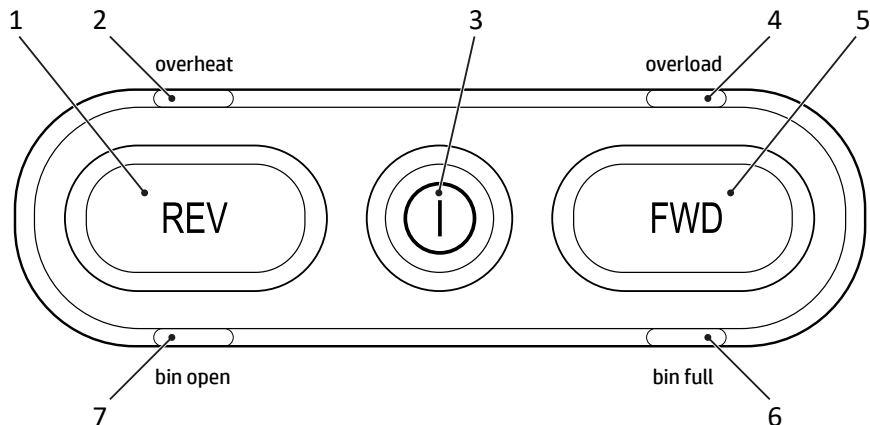
- 1 Distrugător de documente Pro Shredder 24CC sau Pro Shredder 16MC cu coș de colectare pentru reziduuri
- 1 manual de utilizare
- 1 cablu de rețea
- 1 coală de hârtie cerată

Prezentarea detaliată a distrugătorului de documente

Ilustrația următoare vă prezintă detaliile distrugătorului de documente.



1	Tastele de operare/afișarea stării	5	Mâner
2	Fantă	6	Fereastră-visor/mâner
3	Dispozitiv de tăiere	7	Coșul de colectare
4	Afișarea stării față	8	Role



1	Tasta Operare inversă	5	Tasta Operare înainte
2	LED de stare Supraîncălzire	6	LED de stare coșul de colectare plin
3	Comutatorul principal PORNIT/OPRIT	7	LED de stare coșul de colectare deschis
4	LED de stare supraîncărcare		

Amplasarea distrugătorului de documente și punerea în funcțiune

Distrugătorul de documente funcționează numai împreună cu coșul de colectare. Nu amplasați distrugătorul de documente în apropierea surselor de căldură și păstrați o distanță minimă de 10 cm față de perete. Astfel distrugătorul de documente se va răci suficient.

- 1 Așezați distrugătorul de documente în siguranță pe o suprafață netedă, orizontală în apropierea unei prize ușor accesibile.
- 2 Împingeți coșul de colectare în aparat. Coșul de colectare se fixează cu un declic. În cazul în care coșul de colectare nu este fixat corespunzător în aparat, distrugătorul de documente nu poate fi pornit.

i Utilizați exclusiv cablul de rețea livrat.

- 3 Conectați cablul de rețea la aparat.
- 4 Introduceți fișa de rețea într-o priză.
- 5 Porniți aparatul prin apăsarea comutatorului principal **Pornit/Oprit**.
 - ➔ Afișarea stării luminează ALBASTRU.
 - ➔ Ați pus în funcțiune distrugătorul de documente.

Operarea distrugătorului de documente

Distrugătorul de documente lucrează cu mărunțire automată. Distrugătorul de documente se operează prin tastele de operare de pe partea superioară a aparatului.

- Distrugătorul de documente pe partea frontală este dotat cu o afișare a stării suplimentare.
- Acest afișaj de stare indică butoanele și LED-urile din partea de sus.

Mărunțirea automată a materialului

Respectați capacitatea de tăiere admisă și celelalte specificații indicate în **datele tehnice**.



Avertisment!

Aparatul nu este conceput pentru utilizarea de către copii. Evitați să atingeți gura de prindere cu mâinile, hainele sau părul. Scoateți fișa de rețea, dacă nu utilizați aparatul pentru o perioadă mai lungă. În aparat există piese mobile periculoase, țineți-vă departe părțile corpului de piesele mobile.

Important!

Daune materiale din cauza blocajului de material! Respectați capacitatea maximă de tăiere a fantei.

- 1 Introduceți materialul de mărunțit central în fantă.
 - ➔ Fanta trage materialul și se oprește, când nu se mai introduce material.

Mărunțirea manuală a materialului

În cazuri rare senzorii nu identifică materialul introdus.

- 1 Apăsați și mențineți apăsată tasta **FWD**.
 - ➔ Materialul va fi tras manual și va fi mărunțit.
- 2 Eliberați tasta **FWD**.

Oprirea distrugătorului de documente

Opriiți distrugătorul de documente, dacă nu mai aveți nevoie de acesta.

- 1 Opriiți aparatul prin apăsarea comutatorului principal **Pornit/Oprit**.
 - ➔ Ați oprit distrugătorul de documente.
- 2 Scoateți fișa de rețea din priză, dacă distrugătorul de documente nu va fi utilizat pentru o perioadă mai lungă.

Stare de repaus

În cazul în care nu utilizați distrugătorul de documente pentru 30 de minute, distrugătorul de documente trece în stare de repaus. Se stinge afișarea stării de pe partea frontală a distrugătorului de documente. Se întunecă afișarea stării de pe partea superioară a distrugătorului de documente.

Pentru dezactivarea stării de repaus efectuați următorul pas:

1 Introduceți materialul de mărunțit central în fantă.

→ Distrugătorul de documente este din nou pregătit de operare.

i Alternativ apăsați tasta **FWD** sau tasta **REV** a distrugătorului de documente pentru dezactivarea stării de repaus.

Dacă ceva nu funcționează

Următoarele indicații vă oferă asistență în cazul în care ceva nu funcționează conform așteptărilor.

Protecție de supraîncălzire

În caz de supraîncălzire distrugătorul de documente se oprește automat. Afișarea stării luminează ROȘU.

Așteptați perioada de timp indicată în **Datele tehnice** până când se răcește distrugătorul de documente.

→ După faza de răcire luminează ALBASTRU afișarea stării.

→ Se continuă mărunțirea.

i Respectați distanța minimă față de perete și indicațiile privind funcționarea continuă din **Datele tehnice**.

Protecția la supraîncărcare

Dacă ați introdus mai mult material, decât cantitatea indicată în **Datele tehnice**, afișarea stării clipește ROȘU, iar distrugătorul de documente pentru 5 secunde pornește operarea inversă automată.

1 Scoateți materialul din distrugătorul de documente.

→ Ați declanșat blocarea.

i După îndepărtarea materialului din distrugătorul de documente, dispozitivul de tăiere continuă să funcționeze pentru 3 secunde pentru a se curăța. Așteptați până când distrugătorul de documente se oprește din nou și afișarea stării luminează ALBASTRU.

Lubrifierea dispozitivului de tăiere

Ungeți cu ulei dispozitivul de tăiere al distrugătorului de documente la intervale regulate pentru prelungirea duratei de viață a distrugătorului de documente.

Sunt disponibile uleiuri speciale și coli de hârtie uleioase pentru distrugătorul de documente de la HP.

Important!

Daune materiale din cauza utilizării unor uleiuri incorecte! Nu utilizați uleiuri de pulverizare. Utilizați exclusiv ulei special pentru distrugătorul de documente.

Aveți diferite posibilități de ungere a dispozitivului de tăiere.

Ungerea cu hârtia lubrifiată de dvs.:

- 1 Aplicați ulei special pentru distrugătorul de documente în mai multe rânduri transversale pe o coală de hârtie.
- 2 Introduceți coala de hârtie unsă în fantă.
 - ➔ Hârtia unsă cu ulei va fi trasă și va unge dispozitivul de tăiere.

Ungerea cu hârtie uleioasă

- 1 Introduceți coala de hârtie uleioasă în fantă.
 - ➔ Hârtia unsă cu ulei va fi trasă și va unge dispozitivul de tăiere.

Golirea recipientului de colectare

Nivelul de umplere al coșului de colectare este monitorizat de către un senzor.

i La un nivel de umplere ridicat LED-ul de stare „coșul de colectare plin“ clipește ROȘU. Dispozitivul de tăiere al distrugătorului de documente se oprește și trebuie să goliți coșul de colectare.

- 1 Opriți aparatul prin apăsarea comutatorului principal **Pornit/Oprit**.
- 2 Scoateți coșul de colectare din aparat.
 - i** Dacă nu ați oprit aparatul, luminează ROȘU LED-ul de stare „coșul de colectare deschis“.
- 3 Goliți coșul de colectare.
- 4 Împingeți coșul de colectare în aparat.
 - ➔ Coșul de colectare se fixează cu un declic.
 - ➔ Ați golit coșul de colectare

Îndepărtarea resturilor de material

În cazul în care distrugătorul de documente nu mai mărunțește materialul conform așteptărilor dvs., îndeplătați resturile de material rămase în dispozitivul de tăiere.

- 1 Apăsați și mențineți apăsată tasta **REV**. Dispozitivul de tăiere rulează invers și eliberează materialul rămas în dispozitivul de tăiere.
- 2 Eliberați tasta **REV**.
- 3 Opriți aparatul prin apăsarea comutatorului principal **Pornit/Oprit**.
- 4 Scoateți fișa de rețea din priză.



Precauție! Pericol de rănire din cauza dispozitivului de tăiere ascuțit! Fiți foarte precaut la îndeplătarea resturilor de material.

- 5 Îndeplătați resturile de material rămase în dispozitivul de tăiere cu un obiect ascuțit adecvat.
→ Ați îndeplătat resturile de material din dispozitivul de tăiere.

Curățarea distrugătorului de documente

Curățati distrugătorul de documente la intervale regulate.



Precauție!

Pericol de rănire din cauza sclipirii de flăcări! În cazul utilizării unor spray-uri cu aer comprimat se pot forma sclipiri de flăcări. Nu utilizați niciodată spray-uri cu aer comprimat.

- 1 Opriți aparatul prin apăsarea comutatorului principal **Pornit/Oprit**.
- 2 Scoateți fișa de rețea din priză.
- 3 Curățați suprafața carcasei cu o lavetă moale, uscată, care nu lasă scame. Nu utilizați spray-uri cu aer comprimat, soluții de curățare sau dizolvanți.

Date tehnice


Model	Pro Shredder 24CC	Pro Shredder 16MC
Dimensiuni (mm)	B: 295 L.: 424 H: 645	B: 295 L.: 424 H: 645
Nivelul de securitate conform DIN 66399-2	P-4	P-5
Dimensiunea materialului de tăiat (grosime × lățime, mm)	4 × 35	2 × 15
Capacitatea de tăiere max. (coli/carduri de credit)	24/1	16/1
Lățimea de lucru (mm)	220	220
Alimentarea cu tensiune	220-240 V~, 50 Hz, 3.0 A, 680 W	220-240 V~, 50 Hz, 3.0 A, 680 W
Temperatură ambientală max. [°C]	25	25
Capacitatea coșului de colectare (l)	30	30
Greutate (kg)	20	18,2
Volumul sonor (dB)	55	55
Funcționare continuă (min) / durata de răcire (min)	40 / 50	40 / 50
Viteza de lucru (m/min)	1.6	1.6
Tip de tăiere	Tăiere în cruce	Microparticule


Declarăm că în timpul funcționării lor ca distrugătoare de documente aceste aparate îndeplinesc cerințele nivelului de securitate P-4 și P-5 conform DIN 66399.


P-4: Recomandat pentru suporturi de date care conțin date deosebit de sensibile sau confidențiale. Suprafața particulelor de material $\leq 160 \text{ mm}^2$ și pentru particule consistente: lățimea benzii $\leq 6 \text{ mm}$ (de ex. particule $4 \times 40 \text{ mm}$).


P-5: Recomandat pentru suporturi de date care conțin date care ar trebui să rămână secrete. Suprafața particulelor de material $\leq 30 \text{ mm}^2$ și pentru particule consistente: lățimea benzii $\leq 2 \text{ mm}$ (de ex. particule $2 \times 15 \text{ mm}$).


Eliminarea


 Simbolul alăturat indică faptul că echipamentele electrice și electronice uzate fac obiectul unei colectări separate față de gunoiul menajer. Pentru eliminare duceți aparatul la punctul dumneavoastră local de colectare al entității responsabile cu deșeurile.

 Respectați marcajul de pe materialul de ambalare la sortarea deșeurilor, acestea sunt marcate cu prescurtări (b) și cifre (a) cu următoarea semnificație: 1–7: plastice / 20–22: hârtie și carton / 80–98: compozite.

 Eliminați materialele de ambalare conform prevederilor locale.

 Ambalajul constă din materiale ecologice, care pot fi eliminate prin intermediul centrelor de reciclare locale. Informați-vă la autoritățile locale cu privire la opțiunile de eliminare corectă.

 Aparatul și materialul de ambalare sunt reciclabile, pentru o sortare mai bună a deșeurilor eliminați-le separat. Sigla Triman este valabilă numai pentru Franța.

 **Io Riciclo!** Aparatul și materialul de ambalare sunt reciclabile, pentru o sortare mai bună a deșeurilor eliminați-le separat. Informați-vă la autoritățile locale cu privire la opțiunile de eliminare corectă. Respectați următorul marcaj de pe materialul de ambalare: (a) numere, (b) prescurtări și (c) materialul cu următoarea semnificație: 1–7: plastice / 20–22: hârtie și carton / 80–98: compozite, precum (d) tipul ambalajului. Sigla este valabilă numai pentru Italia.

Indicații privind depozitarea

După utilizare distrugătorul de documente trebuie depozitat în siguranță. Respectați următoarele indicații:

Depozitați distrugătorul de documente

- numai în ambalajul original
- într-un loc uscat, curat
- numai în stare răcită

Întrebări și service

Stimate Client,

Ne bucurăm că ați ales să achiziționați acest aparat.

În caz de defecțiuni, vă rugăm să duceți înapoi aparatul împreună cu bonul de cumpărare și ambalajul original în locul, de unde l-ați cumpărat.

Informații suplimentare veți găsi și în meniul Contact & service al paginii noastre web www.hp.com/officerequipment.

Declarație de conformitate

 Marcajul CE de pe aparat atestă conformitatea.

Declarația de conformitate se găsește la www.hp.com/officerequipment.

 Marcajul UKCA de pe aparat atestă conformitatea.

Declarația de conformitate se găsește la www.hp.com/officerequipment.

Producătorul

GO Europe GmbH
Zum Kraftwerk 1
D-45527 Hattingen
Germania

Чтение руководства по эксплуатации



Внимательно прочитайте руководство по эксплуатации и следуйте указаниям при работе с шредером. Сохраните руководство по эксплуатации для последующего использования.

Использование по назначению

Ваш шредер подходит для измельчения бумаги, кредитных карт, скрепок и скоб. Шредер предназначен исключительно для частного использования в закрытых помещениях.

Любое иное применение считается использованием не по назначению. Самовольные изменения или реконструкция недопустимы и ведут к утрате гарантии.

Соблюдение указаний по технике безопасности

Прочсть и соблюдать предупреждения для защиты себя и окружающей среды.



Предупреждение!

Опасность получения травм от втягивающего механизма. Незакрепленные предметы могут попасть во втягивающий механизм и стать причиной травм. Пальцы, волосы, шарфы, галстуки, украшения и т.п. не подносить к втягивающему механизму.



Предупреждение!

Опасность получения травм из-за удара электрическим током. Неправильное обращение с шредером может привести к удару электрическим током. Самовольные изменения или реконструкция шредера не допустимы. Не использовать шредер с поврежденным кабелем питания. В случае повреждений или ненадлежащей работы немедленно отключить шредер и вытащить штекер питания из розетки. Использовать исключительно входящий в комплект поставки кабель питания.

Поручать выполнение ремонта только квалифицированному специализированному персоналу. Ставить шредер рядом с легко доступной розеткой, чтобы можно было быстро отключить шредер в аварийном случае от электросети. Никогда не брать за него влажными руками. Избегать любого контакта с водой.

Всегда вытаскивать штекер из розетки, если прибор не используется. Использовать исключительно входящий в комплект поставки кабель питания.



Предупреждение!

Опасность удушья из-за мелких деталей, упаковочных материалов или защитных пленок. Дети могут проглотить маленькие детали, упаковочные материалы или защитную пленку. Хранить прибор и его упаковку в недоступном для детей месте.

**Предупреждение!**

Данный прибор может использоваться детьми в возрасте старше восьми лет и лицами с ограниченными физическими, сенсорными или умственными способностями или недостаточным опытом и/или знаниями, если они находятся под присмотром или прошли инструктаж по безопасному использованию прибора и поняли возникающие при использовании опасности. Детям запрещается играть с прибором. Детям запрещается выполнять чистку и пользовательское техническое обслуживание без присмотра.

**Осторожно!**

Опасность споткнуться из-за проложенного ненадлежащим образом кабеля питания. Прокладывать кабель питания так, чтобы никто не мог споткнуться о него. Следить за тем, чтобы на сетевом штекере или кабеле питания не могли возникнуть повреждения.

**Важно!**

Возможен имущественный ущерб. Избегать влияний окружающей среды, например, таких как дым, пыль, вибрации, химикалии, влага, жара или прямые солнечные лучи.

Использовать уничтожитель документов только в закрытых помещениях и в допустимых условиях окружающей среды, указанных в технических данных.

Соблюдать следующие указания, чтобы шредер всегда работал в соответствии вашим ожиданиям.



Перед вводом в эксплуатацию прочесть руководство по эксплуатации.



Никогда не протягивать конечности непосредственно во втягивающий механизм.



Не допускать нахождения длинных волос рядом с шредером.



Не допускать нахождения детей и домашних животных рядом с шредером.



Не допускать нахождения свободных предметов одежды, украшений или иных незакрепленных предметов рядом с шредером.



Не распылять легковоспламеняющиеся газы в направлении шредера. Никогда не использовать спрей со сжатым воздухом.



Не допускать нахождения галстуков и шарфов рядом с шредером.



Соблюдать максимальное количество листов (см. Технические характеристики).



Общее указание на возможные опасности, требующие вашего особого внимания.

**Осторожно!**

Опасность получения травм из-за острых кромок режущего механизма!



Предупреждение!

Этот прибор не подходит для использования детьми. Не допускать касания втягивающего отверстия кистями рук, одеждой или волосами.

Вытащить сетевой штекер из розетки, если прибор не будет использоваться в течение длительного времени. В этом приборе находятся опасные движущиеся части, держите части тела подальше от движущихся частей.

Использовать прибор только в помещении.



Вводить кредитные карты только вертикально.



Знак „Geprüfte Sicherheit (проверенная безопасность)“ (знак GS) удостоверяет, что продукт соответствует требованиям Закона ФРГ о безопасности продукции (ProdSG). Знак GS означает, что безопасность и здоровье пользователя не подвергаются опасности при использовании маркированного продукта по назначению и при предполагаемом неправильном использовании. Это получаемый добровольно знак безопасности, выданный соответствующим испытательным институтом.

Проверить содержимое упаковки

Проверить содержимое упаковки вашего shreddера перед тем, как вводить его в эксплуатацию.

Если что-то отсутствует или повреждено, ни в коем случае не начинать эксплуатацию shreddера. Обратиться в нашу сервисную службу.

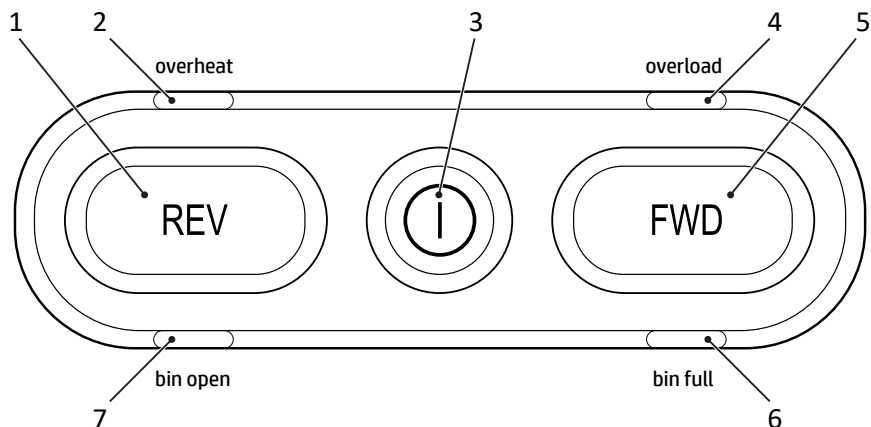
- 1 shreddер Pro Shredder 24CC или Pro Shredder 16MC с приемной корзиной для обрезков
- 1 руководство по эксплуатации
- 1 сетевой кабель
- 1 лист промасленной бумаги

Детальное представление shreddера

Следующий рисунок детально представляет shreddер.



1	Кнопки управления / индикация состояния	5	Ручка
2	Втягивающий механизм	6	Смотровое окно / ручка
3	Режущий механизм	7	Приемная корзина
4	Индикация состояния впереди	8	Колесики



1	Кнопка Обратный ход	5	Кнопка Прямой ход
2	СИД состояния, перегрев	6	СИД состояния, приемная корзина заполнена
3	Главный выключатель вкл./выкл.	7	СИД состояния, приемная корзина открыта
4	СИД состояния, перегруз		

Установка и ввод шредера в эксплуатацию

Ваш шредер работает только с приемной корзиной. Не устанавливайте шредер рядом с источниками тепла и соблюдать расстояние как минимум в 10 см относительно стены. Так обеспечивается достаточное охлаждение шредера.

- 1** Устойчиво установить шредер на ровной, горизонтальной поверхности, рядом с легко доступной розеткой.
- 2** Задвинуть приемную корзину в прибор. Приемная корзина с щелчком зафиксировается. Если приемная корзина установлена в приборе не надлежащим образом, то шредер включить невозможно.
- i** Использовать исключительно входящий в комплект поставки кабель питания.
- 3** Подключить сетевой кабель к прибору.
- 4** Подключить сетевой штекер к розетке.
- 5** Включить прибор, нажав главный выключатель **вкл./выкл.**
 - ➔ Индикация состояния горит СИНИМ цветом.
 - ➔ Ввод шредера в эксплуатацию выполнен.

Управление шредером

Ваш шредер работает с автоматическим измельчением. Управление шредером осуществляется посредством кнопок управления на верхней стороне прибора.

И Шредер с передней стороны оснащен дополнительной индикацией состояния. Эта индикация состояния передает данные кнопок и СИД, имеющихся на верхней стороне.

Автоматическое измельчение материала

Соблюдать максимально допустимую режущую способность и другие спецификации, указанные в **технических данных**.



Предупреждение!

Этот прибор не подходит для использования детьми. Не допускать касания втягивающего отверстия кистями рук, одеждой или волосами. Вытащить сетевой штекер из розетки, если прибор не будет использоваться в течение длительного времени. В этом приборе находятся опасные движущиеся части, держите части тела подальше от движущихся частей.

Важно!

Имущественный ущерб из-за затора материала! Учитывать максимальную режущую способность втягивающего механизма.

- 1** Подавать измельчаемый материал во втягивающий механизм по центру.
 - ➔ Втягивающий механизм втягивает материал и останавливается, если материал больше не подается.

Ручное измельчение материала

В редких случаях датчики не распознают поданный материал.

- 1** Нажать и удерживать кнопку **FWD**.
 - ➔ Материал втягивается вручную и измельчается.
- 2** Отпустить кнопку **FWD**.

Выключение шредера

Выключить шредер, если он больше не требуется.

- 1** Выключить прибор, нажав главный выключатель **вкл./выкл.**
 - ➔ Шредер выключен.
- 2** Вытащить сетевой штекер из розетки, если шредер в течение длительного времени использоваться не будет.

Режим сна

Если шредер не используется, то через 30 минут он переходит в режим сна. Индикация состояния на передней стороне шредера гаснет. Индикация состояния на верхней стороне шредера приглушается.

Для выключения режима сна выполнить следующий шаг:

- 1 Подавать измельчаемый материал во втягивающий механизм по центру.
→ Шредер снова готов к работе.

i В качестве альтернативы нажать кнопку **FWD** или кнопку **REV** на шредере, чтобы выключить режим сна

Если что-то не работает

Следующие указания помогут вам, если что-то работает не так, как ожидалось.

Защита от перегрева

При перегреве шредер автоматически отключается. Индикация состояния горит **КРАСНЫМ** цветом.

Выждать указанное в **технических данных** время, пока шредер не остынет.

- После фазы остывания индикация состояния горит **СИНИМ** цветом.
- Измельчение продолжается.

i Соблюдать минимальное расстояние до стены и указания по длительной работе в **технических данных**.

Защита от перегрузки

Если подано больше материала, чем указано в **технических данных**, индикация состояния мигает **КРАСНЫМ** цветом и шредер запускает на 5 секунд автоматический обратный ход.

- 1 Вытащить материал из шредера.
→ Блокировка снята.

i После удаления материала из шредера режущий механизм работает еще в течение 3 секунд для очистки. Выждать, пока шредер снова не остановится и индикация состояния не загорится **СИНИМ** цветом.

Смазка режущего механизма

Регулярно смазывать режущий механизм шредера, чтобы продлить срок службы шредера.

В продаже имеются специальное масло и промасленная бумага для шредеров от HP.

Важно!

Имущественный ущерб при использовании неподходящих масел! Не использовать распыляемые масла. Использовать исключительно специальное масло для шредера.

Есть различные возможности для смазки режущего механизма.

Смазка с помощью самостоятельно промасленной бумаги:

- 1 Нанести специальное масло для шредера несколькими поперечными линиями на лист бумаги.
- 2 Подать лист промасленной бумаги во втягивающий механизм.
 - ➔ Промасленная бумага втягивается и смазывает режущий механизм.

Смазка с помощью промасленной бумаги

- 1 Подать лист промасленной бумаги во втягивающий механизм.
 - ➔ Промасленная бумага втягивается и смазывает режущий механизм.

Опорожнение приемной корзины

Уровень заполнения приемной корзины контролирует датчик.

i При высоком уровне заполнения мигает СИД состояния „приемная корзина заполнена“ **КРАСНЫМ**. Режущий механизм шредера останавливается и необходимо опорожнить приемную корзину.

1 Выключить прибор, нажав главный выключатель **вкл./выкл.**

2 Вытащить приемную корзину из прибора.

i Если прибор не выключен, то СИД состояния „приемная корзина открыта“ горит **КРАСНЫМ**.

3 Опорожнить приемную корзину.

4 Задвинуть приемную корзину в прибор.

➔ Приемная корзина с щелчком зафиксирована.

➔ Опорожнение приемной корзины выполнено.

Удаление остатков материала

Если ваш шредер больше не измельчает материал так, как вы того ожидаете, удалить имеющиеся остатки материала из режущего механизма.

- 1 Нажать и удерживать кнопку **REV**. Режущий механизм работает в обратном направлении и высвобождает оставшийся в режущем механизме материал.
- 2 Отпустить кнопку **REV**.
- 3 Выключить прибор, нажав главный выключатель **вкл./выкл.**
- 4 Вытащить сетевой штекер из розетки.



Осторожно!

Опасность получения травм из-за острых кромок режущего механизма! При удалении остатков материала проявлять особую осторожность.

- 5 Осторожно удалить имеющиеся остатки материала подходящим острым предметом из режущего механизма.
→ Остатки материала удалены из режущего механизма.

Чистка шредера

Регулярно очищать шредер.



Осторожно!

Опасность получения травм из-за вспышек пламени! При использовании спреев со сжатым воздухом возможны вспышки пламени. Никогда не использовать спреи со сжатым воздухом.

- 1 Выключить прибор, нажав главный выключатель **вкл./выкл.**
- 2 Вытащить сетевой штекер из розетки.
- 3 Очистить поверхности прибора мягкой, сухой тряпкой без ворса. Не использовать пневматические спреи, чистящие средства или растворители.

Технические данные

Модель	Pro Shredder 24CC	Pro Shredder 16MC
Габариты (мм)	Ш.: 295 Д.: 424 В: 645	Ш.: 295 Д.: 424 В: 645
Уровень секретности согласно DIN 66399-2	P-4	P-5
Размер фрагмента (толщина × ширина, мм)	4 × 35	2 × 15
Макс. режущая способность (листы / кредитные карты)	24/1	16/1
Рабочая ширина (мм)	220	220
Электропитание	220 - 240 В, 50 Гц, 3.0 А, 680 Вт	220 - 240 В, 50 Гц, 3.0 А, 680 Вт
Макс. температура окружающей среды [°C]	25	25
Емкость приемной корзины (л)	30	30
Вес (кг)	20	18,2
Громкость (дБ)	55	55
Непрерывная работа (мин.) / время остывания (мин.)	40 / 50	40 / 50
Рабочая скорость (м/мин.)	1.6	1.6
Тип резки	перекрестный	Микрорезка

Мы заявляем, что эти приборы соответствуют требованиям уровней безопасности P-4 и P-5 согласно DIN 66399 при уничтожении документов.

P-4: Рекомендуется для носителей данных с особо секретными и конфиденциальными данными. Площадь частиц материала $\leq 160 \text{ мм}^2$ и для обычных частиц: ширина полосы $\leq 6 \text{ мм}$ (например, частицы 4 x 40 мм).

Утилизация



Расположенный рядом символ означает, что отработавшие электрические и электронные приборы согласно предписаниям закона следует утилизировать отдельно от бытовых отходов. Утилизировать Ваш прибор в пункт сбора отходов местного предприятия по утилизации отходов.



Обращать внимание на маркировку упаковочного материала при разделении отходов. Они обозначаются аббревиатурами (b) и цифрами (a) со следующим значением: 1-7: пластик / 20-22: бумага и картон / 80-98: композитные материалы.



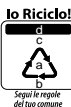
Утилизировать упаковочные материалы в соответствии с местными предписаниями.



Упаковка изготовлена из экологически чистых материалов, которые можно утилизировать через местные пункты приема вторсырья. Получить в местных органах власти информацию о том, как правильно утилизировать отходы.



Прибор и упаковочные материалы подлежат переработке, утилизировать их отдельно для лучшей переработки отходов. Логотип Tripart действителен только для Франции.



Прибор и упаковочные материалы подлежат переработке, утилизировать их отдельно для лучшей переработки отходов. Получить в местных органах власти информацию о том, как правильно утилизировать отходы. Обращать внимание на следующую маркировку упаковочного материала: (a) номера, (b) аббревиатуры и (c) материал со следующим значением: 1-7: пластмассы / 20-22: бумага и картон / 80-98: композитные материалы, и (d) тип упаковки. Логотип действителен только для Италии.

Указания по хранению

После использования необходимо обеспечить безопасное хранение шредера. Соблюдать следующие указания:

Хранить шредер

- только в оригинальной упаковке
- в сухом, чистом месте
- только в охлажденном состоянии

Вопросы и сервисное обслуживание

Уважаемый клиент,

Большое спасибо, что вы выбрали этот продукт.

Если он работает не так, как вы того ожидали, или неисправен, обратитесь к дилеру, у которого вы приобрели этот продукт.

Дополнительную информацию можно также найти в разделе „Контакты и обслуживание“ на нашем сайте www.hp.com/officeequipment.

Сертификат соответствия

CE Соответствие подтверждается знаком «CE» на изделии.

Сертификат соответствия вы найдете по адресу www.hp.com/officeequipment.

UKCA Соответствие подтверждается знаком „UKCA“ на изделии.

Сертификат соответствия вы найдете по адресу www.hp.com/officeequipment.

Изготовитель

GO Europe GmbH

Цум Крафтверк 1

D-45527 Хаттинген

Германия

Prečítajte si návod na obsluhu



Pozorne si prečítajte návod na obsluhu a pri manipulácii so skartovačkou dodržiavajte bezpečnostné pokyny. Návod na obsluhu si uschovajte na neskoršie použitie.

Použitie podľa určenia

Vaša skartovačka je určená na skartovanie papiera, platobných kariet, kancelárskych spôn a svoriek. Skartovačka je určená výhradne na súkromné použitie v uzavretých miestnostiach.

Akkoľvek iné použitie sa považuje za použitie nezodpovedajúce účelu. Neautorizované zmeny alebo prestavby nie sú povolené a záruka stráca platnosť.

Dodržiavajte bezpečnostné pokyny

Prečítajte si a dodržujte varovné pokyny, aby ste chránili seba a životné prostredie.



Varovanie!

Nebezpečenstvo poranenia v dôsledku podávacieho mechanizmu. Uvoľnené predmety sa môžu zachytiť v podávači a spôsobiť zranenia. Držte prsty, vlasy, šatky, kravaty, šperky atď. v dostatočnej vzdialenosti od podávača.



Varovanie!

Nebezpečenstvo úrazu elektrickým prúdom. Nesprávna manipulácia so skartovačkou môže viesť k úrazu elektrickým prúdom. Neautorizované zmeny alebo úpravy skartovačky nie sú povolené. Skartovačku neprevádzkujte s poškodeným sieťovým káblom. Skartovačku v prípade poškodenia alebo neprimeraného fungovania ihneď vypnite a sieťovú vidlicu vytiahnite zo zásuvky. Používajte iba dodaný napájací kábel.

Nechajte vykonávať opravy iba kvalifikovanému personálu. Skartovačku umiestnite v blízkosti ľahko prístupnej zásuvky, aby bolo možné skartovačku v núdzovom prípade rýchlo odpojiť od elektrickej siete. Nikdy sa nedotýkajte skartovačky mokrými rukami. Zabráňte kontaktu s vodou.

Ak prístroj nepoužívate, vždy vytiahnite zástrčku zo zásuvky. Používajte iba dodaný napájací kábel.



Varovanie!

Nebezpečenstvo zadusenía spôsobeného malými časťami, obalovými materiálmi alebo ochrannými fóliami. Deti môžu prehltnúť malé časti, obalový materiál alebo ochranné fólie. Udržujte zariadenie a jeho obal mimo dosahu detí.

**Varovanie!**

Toto zariadenie môžu používať deti staršie ako osem rokov a osoby s obmedzenými fyzickými, zmyslovými alebo mentálnymi schopnosťami alebo nedostatkom skúseností a/alebo vedomostí, keď sú pod dozorom alebo poučenými o bezpečnom používaní zariadenia a výsledného zariadenia a pochopili vzniknuté nebezpečenstvá. Deti sa so zariadením nesmú hrať. Čistenie a údržbu užívateľa nesmú vykonávať deti bez dozoru.

**Upozornenie!**

Nebezpečenstvo zakopnutia o nesprávne položené káble. Sieťový kábel uložte tak, aby oň nemohol nikto zakopnúť. Uistite sa, že zástrčka ani sieťová šnúra nie sú poškodené.

**Dôležité!**

Možné škody na majetku. Zabráňte pôsobeniu vplyvov okolitého prostredia, ako je napríklad dym, prach, otrasy, chemikálie, vlhkosť, teplo alebo priame slnečné žiarenie.

Skartovač používajte iba v interiéri a v rámci prípustných podmienok prostredia uvedených v časti Technické údaje.

Dbajte na dodržiavanie pokynov uvedených v ďalšom texte, aby Vaša skartovačka vždy fungovala tak, ako to očakávate.



Pred uvedením do prevádzky si prečítajte návod na obsluhu.



Dlhé vlasy držte ďalej od Vašej skartovačky.



Voľné časti odevu, šperky alebo iné voľne sa pohybujúce predmety držte ďalej od Vašej skartovačky.



Kravaty a šály držte ďalej od Vašej skartovačky.



Všeobecne platné upozornenie na možné nebezpečenstvá, ktoré si vyžadujú Vašu osobitnú pozornosť.



Nikdy nesiahajte priamo do podávača.



Skartovačku udržiajte mimo dosahu detí a domácich zvierat.



V smere umiestnenia Vašej skartovačky nestriekajte horľavé plyny. Tlakové spreje nikdy nepoužívajte.



Dbajte na maximálny počet listov (pozri časť Technické údaje).

**Upozornenie!**

Nebezpečenstvo poranenia o rezací mechanizmus s ostrými hranami.



Varovanie!

Toto zariadenie nie je určené do rúk detí. Zabezpečte, aby v žiadnom prípade nedošlo k dotyku vstupného otvoru rukami, odevom alebo vlasmi. Ak zariadenie dlhší čas nepoužívate, sieťovú vidlicu vyťahnite zo zásuvky. V tomto zariadení sa nachádzajú nebezpečné pohyblivé súčiastky, časti tela chráňte pred pohyblivými súčiastkami.

Zariadenie prevádzkujte iba v interiéri.



Platobné karty vkladajte len vo vertikálnej polohe.



Pečať «Geprüfte Sicherheit» (Odkúšaná bezpečnosť) (značka GS) potvrdzuje, že výrobok zodpovedá požiadavkám nemeckého zákona o bezpečnosti výrobkov (ProdSG).

Značka GS označuje, že pri použití v súlade s určením a pri predvídateľnom chybnom použití označeného výrobku nie je ohrozená bezpečnosť ani zdravie užívateľa. Ide pri tom o dobrovoľnú bezpečnostnú značku, ktorú vydal príslušný skúšobný ústav.

Skontrolujte obsah obalu

Pred uvedením skartovačky do prevádzky skontrolujte obsah balenia vašej skartovačky.

Ak niečo chýba alebo je poškodené, skartovačku nepoužívajte. Kontaktujte náš servis.

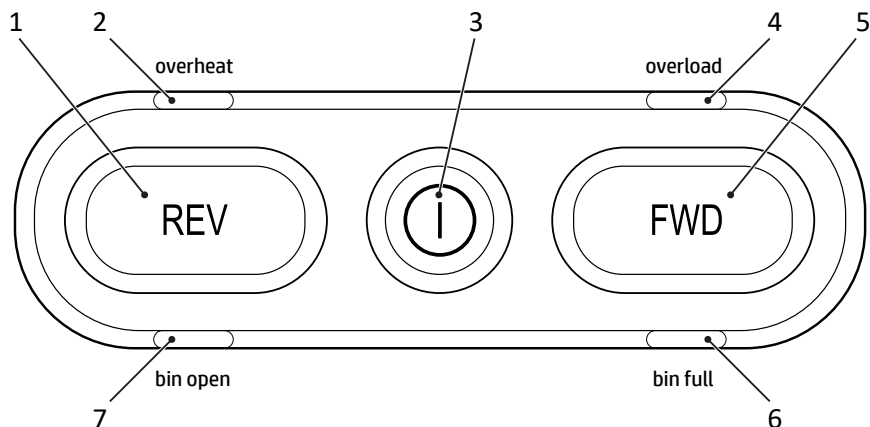
- 1 skartovačka Pro Shredder 24CC alebo Pro Shredder 16MC so záchytnou nádobou na skartovaný odpad
- 1 návod na obsluhu
- 1 napájací kábel
- 1 list olejového papiera

Podrobné zobrazenie Vašej skartovačky

Nasledovný obrázok predstavuje podrobné zobrazenie skartovačky.



1	Ovládacie tlačidlá / indikácia stavu	5	Rukoväť
2	Podávač	6	Priehľadné okienko/rukoväť
3	Rezací mechanizmus	7	Zberná nádoba
4	Indikácia stavu spredu	8	Kolieska



1	Tlačidlo Spätný chod	5	Tlačidlo Chod dopredu
2	Stavová LED Prehriatie	6	Stavová LED Záchytná nádoba je plná
3	Hlavný vypínač Zapnuté/Vypnuté	7	Stavová LED Záchytná nádoba je otvorená
4	Stavová LED Zahltenie		

Postavenie a uvedenie skartovačky do prevádzky

Vaša skartovačka funguje iba so zbernou nádobou. Skartovačku neumiestňujte v blízkosti tepelných zdrojov a zachovajte minimálnu vzdialenosť v rozsahu 10 cm od steny. Tým sa zabezpečí dostatočné chladenie skartovačky.

- 1 Skartovačku stabilne postavte na rovný, vodorovný povrch a do blízkosti dobre prístupnej zásuvky.
- 2 Záchytnú nádobu zasuňte do skartovačky. Záchytná nádoba počuteľne zaklapne. Ak záchytná nádoba nie je v skartovačke riadne umiestnená, skartovačku nie je možné zapnúť.

i Používajte iba dodaný napájací kábel.

- 3 Pripojte napájací kábel k zariadeniu.
- 4 Sieťovú vidlicu zasuňte do zásuvky.
- 5 Zariadenie zapnite stlačením hlavného vypínača **Zapnuté/Vypnuté**.

➔ Indikátor stavu svieti NAMODRO.

➔ Tým ste Vašu skartovačku uviedli do prevádzky.

Obsluha skartovačky

Vaša skartovačka pracuje v režime automatického rezania a skartovania. Skartovačka sa obsluhuje prostredníctvom ovládacích tlačidiel umiestnených na hornej strane zariadenia.

i Na prednej strane skartovačky sa nachádza dodatočná indikácia stavu. Táto indikácia stavu zobrazuje stav tlačidiel a LED diód, ktoré sa nachádzajú na hornej strane.

Automatické skartovanie materiálu

Dbajte na maximálne prípustný rezný výkon a ďalšie špecifikácie, ktoré sú uvedené v **technických údajoch**.



Varovanie!

Toto zariadenie nie je určené do rúk detí. Zabezpečte, aby v žiadnom prípade nedošlo k dotyku vstupného otvoru rukami, odevom alebo vlasmi.

Ak zariadenie dlhší čas nepoužívate, sieťovú vidlicu vytiahnite zo zásuvky. V tomto zariadení sa nachádzajú nebezpečné pohyblivé súčiastky, časti tela chráňte pred pohyblivými súčiastkami.

Dôležité!

Možné vecné škody kvôli vzpričeniu materiálu! Dbajte na maximálny rezací výkon podávača.

- 1** Materiál, ktorý je určený na skartovanie, zasunúť stredom do vstupného otvoru.
 - ➔ Vo vstupnom otvore sa materiál vtiahne a chod sa zastaví, keď sa nezasunie žiaden ďalší materiál.

Manuálne skartovanie materiálu

V zriedkavo sa vyskytujúcich prípadoch senzory nezistia zasunutý materiál.

- 1** Stlačte a podržte tlačidlo **FWD**.
 - ➔ Materiál sa vtiahne a skartuje manuálne.
- 2** Uvoľnite tlačidlo **FWD**.

Vypnutie skartovačky

Skartovačku vypnite, ak ho už nebudete potrebovať.

- 1** Zariadenie vypnite stlačením hlavného vypínača **Zapnuté/Vypnuté**.
 - ➔ Skartovačku ste vyplí.
- 2** Ak skartovačku dlhšie nepoužívate, vytiahnite sieťovú vidlicu zo zásuvky.

Režim spánku

Ak skartovačku nepoužívate počas tridsiatich minút, zariadenie prejde do režimu spánku. Indikácia stavu na prednej strane skartovačky zhasne. Indikácia stavu na hornej strane skartovačky sa stlmí.

Na vypnutie režimu spánku vykonajte nasledovný krok:

1 Materiál, ktorý je určený na skartovanie, zasuňte stredom do vstupného otvoru.

→ Skartovačka je opäť pripravená na prevádzku.

i Aby ste vypli režim spánku, alternatívne stlačte tlačidlo **FWD** alebo tlačidlo **REV** skartovačky.

Ak niečo nefunguje

Nasledujúce pokyny vám pomôžu, ak nebude niečo fungovať tak, ako očakávate.

Ochranný systém proti prehriatiu

Skartovačka sa pri prehriatí automaticky vypne. Indikácia stavu svieti ČERVENOU farbou.

Vyčkajte do uplynutia časového intervalu uvedeného v **Technických údajoch**, kým skartovačka nie je vychladnutá.

→ Po uplynutí fázy vychladnutia svieti indikácia stavu MODROU farbou.

→ V skartovaní sa pokračuje.

i Dbajte na dodržanie minimálnej vzdialenosti od steny a na informácie ohľadne trvalého chodu, ktoré sú uvedené v **Technických údajoch**.

Ochrana proti preťaženiu

Ak ste zasunuli viac materiálu ako je uvedené v **Technických údajoch**, indikácia stavu bliká ČERVENOU farbou a skartovačka spustí automatický spätný chod v trvaní piatich sekúnd.

1 Materiál vytiahnite zo skartovačky.

→ Uvoľnili ste zablokovanie.

i Po odstránení materiálu zo skartovačky sa rezací mechanizmus ďalej pohybuje počas troch sekúnd, aby sa vyčistil. Vyčkajte, až kým sa skartovačka opäť nezastaví a indikácia stavu nesvieti MODROU farbou.

Naolejovanie rezacieho mechanizmu

Rezací mechanizmus skartovačky v pravidelných intervaloch namažte olejom, aby sa predĺžila životnosť skartovačky.

K dostaniu je špeciálny olej a olejové listy na údržbu skartovačky HP.

Dôležité!

Pri použití nesprávnych olejov môže dôjsť k vecným škodám! Nepoužívajte sprejové oleje. Používajte len špeciálny olej určený pre skartovačky.

K dispozícii máte rôzne možnosti namazania rezacieho mechanizmu olejom.

Namazanie olejom pomocou vlastnoručne naolejovaného papiera:

- 1 Špeciálny olej pre skartovačky naneste v niekoľkých pruhoch priečne na list papiera.
- 2 Zavedte naolejovaný list papiera do podávača.
 - ➔ Papier postriekaný olejom sa vtiahne a namaže rezaciu jednotku.

Namazanie olejom pomocou olejových listov

- 1 Olejový list papiera zasuňte do vstupného otvoru.
 - ➔ Papier postriekaný olejom sa vtiahne a namaže rezaciu jednotku.

Vyprázdenie zbernej nádoby

Stav naplnenia záchytnej nádoby sa kontroluje prostredníctvom senzora.

i Pri vysokom stave naplnenia bliká indikačná LED dióda „Záchytná nádoba je plná“ ČERVENOU farbou. Rezací mechanizmus skartovačky sa zastaví a musíte vyprázdniť záchytnú nádobu.

1 Zariadenie vypnite stlačením hlavného vypínača **Zapnuté/Vypnuté**.

2 Záchytnú nádobu vytiahnite zo skartovačky.

i Ak ste zariadenie nevypli správne, LED dióda stavu „Záchytná nádoba je otvorená“ svieti ČERVENOU farbou.

3 Záchytnú nádobu vyprázdnite.

4 Záchytnú nádobu zasuňte do skartovačky.

➔ Záchytná nádoba počuteľne zaklapne.

➔ Vyprázdnili ste záchytnú nádobu

Odstránenie zvyšku materiálu

Ak Vaša skartovačka už materiál neskartuje tak, ako to očakávate, z rezacieho mechanizmu odstráňte zvyšky materiálu, ktoré v ňom zostali.

- 1 Stlačte a podržte tlačidlo **REV**. Rezací mechanizmus spustí spätný chod a uvoľní materiál, ktorý v ňom zostal.
- 2 Uvoľnite tlačidlo **REV**.
- 3 Zariadenie vypnite stlačením hlavného vypínača **Zapnuté/Vypnuté**.
- 4 Vytiahnite sieťovú zástrčku zo zásuvky.



Upozornenie! Nebezpečenstvo poranenia o rezací mechanizmus s ostrými hranami.
Nebezpečenstvo poranenia v dôsledku rezacieho mechanizmu s ostrými hranami.

- 5 Zvyšky materiálu, ktoré zostali v skartovačke, opatrne odstráňte z rezacieho mechanizmu pomocou vhodného ostrého predmetu.
→ Z rezacieho mechanizmu ste odstránili zvyšky materiálu.

Čistenie skartovačky

Skartovačku čistite v pravidelných intervaloch.



Upozornenie! Nebezpečenstvo poranenia ostrým plameňom! Pri použití tlakových sprejov môže dôjsť k výskytu ostrého plameňa. Tlakové spreje nikdy nepoužívajte.

- 1 Zariadenie vypnite stlačením hlavného vypínača **Zapnuté/Vypnuté**.
- 2 Vytiahnite sieťovú zástrčku zo zásuvky.
- 3 Povrch prístroja čistite mäkkou, suchou handričkou, ktoré nemá chlpy. Nepoužívajte tlakové spreje, čistiace prostriedky alebo rozpúšťadlá.

Technické údaje


Model	Pro Shredder 24CC	Pro Shredder 16MC
Rozmery (mm)	Š: 295 D: 424 H: 645	Š: 295 D.: 424 H: 645
Stupeň bezpečnosti podľa normy DIN 66399-2	P-4	P-5
Veľkosť rezaného materiálu (hrúbka × šírka, mm)	4 × 35	2 × 15
Max. rezný výkon (listy / platobná karta)	24/1	16/1
Pracovná šírka (mm)	220	220
Napájanie prúdom	220-240 V~, 50 Hz, 3.0 A, 680 W	220-240 V~, 50 Hz, 3.0 A, 680 W
Max. teplota okolia [°C]	25	25
Objem záchytnej nádoby (l)	30	30
Hmotnosť (kg)	20	18,2
Hlasitosť (dB)	55	55
Nepretržitá prevádzka (min.) / doba chladenia (min)	40 / 50	40 / 50
Pracovná rýchlosť (m/min.)	1.6	1.6
Druh rezania	Spôsob rezania = častice	Mikro rez


Prehlasujeme, že tieto zariadenia pri likvidácii dokumentov spĺňajú predpoklady stupňov bezpečnosti P-4 a P-5 podľa DIN 66399.


P-4: Odporúčané pre nosiče údajov s obzvlášť citlivými a dôvernými údajmi. Materiálový povrch častíc $\leq 160 \text{ mm}^2$ a pre pravidelné častice: šírka pásky $\leq 6 \text{ mm}$ (napr. častice $4 \times 40 \text{ mm}$).


P-5: Odporúčané pre nosiče údajov s tajnými údajmi. Materiálový povrch častíc $\leq 30 \text{ mm}^2$ a pre pravidelné častice: šírka pásky $\leq 2 \text{ mm}$ (napr. častice $2 \times 15 \text{ mm}$).


Likvidácia

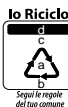
 Symbol vľavo znamená, že staré elektrické a elektronické zariadenia sa musia z dôvodu zákonných predpisov likvidovať oddelene od domového odpadu. Zlikvidujte prístroj na zbernom mieste na likvidáciu komunálneho odpadu.

 Pri triedení odpadu dodržiavajte označenie obalových materiálov, ktoré sú označené skratkami (b) a číslami (a) v tomto význame: 1–7: plasty / 20–22: papier a lepenka / 80–98: kompozity.

 Obalový materiál zlikvidujte podľa lokálnych predpisov.

 Obal sa skladá z materiálov, ktoré nezaťažujú životné prostredie a ktoré môžete zlikvidovať prostredníctvom miestne príslušných miest recyklácie. O možnostiach správne vykonanej likvidácie sa informujte na Vašom obecnom úrade.

 Zariadenie a obalové materiály sú recyklovateľné, kvôli lepšej manipulácii s odpadom ich zlikvidujte oddelene. Logo Triman platí iba pre Francúzsko.

 Zariadenie a obalové materiály sú recyklovateľné, kvôli lepšej manipulácii s odpadom ich zlikvidujte oddelene. O možnostiach správne vykonanej likvidácie sa informujte na Vašom obecnom úrade. Pri triedení odpadu dodržiavajte označenie obalových materiálov, ktoré sú označené skratkami (b) a číslami (a) v tomto význame: 1–7: plasty / 20–22: papier a lepenka / 80–98: kompozity. Logo platí len pre Taliansko.

Pokyny na uskladnenie

Skartovačka sa musí po použití bezpečne uskladniť. Dbajte na nasledovné pokyny:

Skartovačku skladujte

- len v originálnom obale
- na suchom, čistom mieste
- len po vychladnutí

Otázky a služby

Vážený zákazník,

těší nás, že jste se rozhodli pro tento přístroj.

V případě vzniku závady odevzdejte přístroj spolu s pokladničním dokladem a originálním obalem v prodejně, kde jste přístroj zakoupili.

Ďalšie informácie nájdete aj v oblasti Kontakty a Servis na našej internetovej stránke www.hp.com/officeequipment.

Vyhlásenie o zhode

CE Značka CE na prístroji potvrdzuje zhodu.

Vyhlásenie o zhode nájdete na www.hp.com/officeequipment.

UK Značka UKCA na prístroji potvrdzuje zhodu.

CA Vyhlásenie o zhode nájdete na www.hp.com/officeequipment.

Výrobca

GO Europe GmbH
Zum Kraftwerk 1
D-45527 Hattingen
Nemecko

Počitatelj uputstvo za upotrebu



Pažljivo pročitate ovo uputstvo i sledite uputstva za rukovanje Vašim šrederom. Sačuvajte Uputstvo za upotrebu za kasniju upotrebu.

Pravilna upotreba

Vaš šreder je pogodan za usitnjavanje papira, kreditnih kartica, spajalica. Šreder je namenjen isključivo za privatnu upotrebu u zatvorenim prostorijama.

Svaka druga upotreba se smatra nenamenskom. Svojevoljne promene ili nadogradnje nisu dozvoljene i dovode do gubitka garancije.

Poštovati sigurnosne napomene

Pročitajte i sledite upozorenja kako biste zaštitili sebe i okolinu.



Upozorenje!

Opasnost od povređivanja usled mehanizma uvlačenja. Slobodni predmeti se mogu zahvatiti prilikom uvlačenja i izazvati povrede. Prste, kosu, šalove, kravate, nakit itd. držite dalje od uvlačenja.



Upozorenje!

Opasnost od povređivanja usled strujnog udara. Pogrešno rukovanje šrederom može dovesti do strujnog udara. Svojevoljne promene ili nadogradnje na šrederu nisu dozvoljene. Nemojte koristiti šreder sa oštećenim kablom. U slučaju oštećenja ili nepravilnog funkcionisanja odmah isključite šreder i izvucite utikač. Isključivo koristite dostavljeni priključni kabl.

Popravke treba da izvodi samo kvalifikovano osoblje. Postavite šreder u blizini pristupačne utičnice tako da se u hitnom slučaju utikač može brzo izvući iz utičnice. Nikada ne hvatajte mokrim rukama. Izbegavajte svaki kontakt sa vodom.

Uvek izvucite utikač iz utičnice, kada ne koristite uređaj. Upotrebljavajte isključivo mrežni kabl koji je isporučen sa uređajem.



Upozorenje!

Opasnost od gušenja malim delovima, materijalom pakovanja ili zaštitnom folijom. Deca mogu da progutaju male delove, materijal pakovanja ili zaštitnu foliju. Držati decu dalje od uređaja i njegovog pakovanja.

**Upozorenje!**

Ovaj uređaj mogu da koriste deca starosti od osam godina kao i osobe sa ograničenim fizičkim, senzornim ili mentalnim sposobnostima ili nedostatkom iskustva ili znanja ako su pod nadzorom ili ako su obučeni za sigurnu upotrebu uređaja i ako razumeju opasnosti koje iz toga proizilaze. Deca se ne smeju igrati uređajem. Čišćenje i održavanje od strane korisnika ne smeju vršiti deca bez nadzora.

**Oprez!**

Opasnost od spoticanja usled nepravilno postavljenog mrežnog kabla. Postavite kabl tako da se niko ne može o njega spotaći. Vodite računa o tome da na utikaču ili mrežnom kablju ne mogu da nastanu oštećenja.

**Važno!**

Moguće su materijalne štete. Izbegavati uticaj okoline kao što su npr. dim, prašina, potrešaji, hemikalije, vlaga, vrućina ili direktno sunčevo zračenje.

Uništavač dokumenta koristite samo u zatvorenim prostorijama pod dozvoljenim prostornim uslovima navedenim u Tehničkim podacima.

Sledite sledeće napomene da bi šreder uvek funkcionisao kako očekujete.



Pre puštanja u rad pročitajte ovo Uputstvo za upotrebu.



Vašu dugu kosu držite daleko od šredera.



Slobodne delove odeće, nakit ili druge slobodne delove držite daleko od Vašeg šredera.



Kravate i šalove držite daleko od šredera.



Opšta napomena o mogućim opasnostima koje zahtevaju Vašu posebnu pažnju.



Nikada nemojte direktno hvatati za mesto uvlačenja.



Decu i kućne ljubimce držite daleko od šredera.



Nemojte prskati zapaljive gasove u smeru Vašeg šredera. Nikada ne koristite sprejeve pod vazдушnim pritiskom.



Obratite pozor na najviši dozvoljeni broj listova (vidi Tehnički podaci).

**Oprez!**

Opasnost od povreda usled oštih ivica jedinice za sečenje!



Upozorenje!

Ovaj uređaj nije predviđen da ga koriste deca. Izbegavajte da otvor za uvlačenje dodirujete rukama, odećom ili kosom.

Iskopčajte priključni utikač, ako uređaj duže vreme ne koristite. U ovom uređaju se nalaze opasni pokretni delovi, držite delove tela dalje od pokretnih delova.



Proizvod samo koristite u unutrašnjim prostorima.



Kreditne kartice postavljajte samo vertikalno.



Pečat «Proverena bezbednost» (GS-znak) potvrđuje, da proizvod odgovara zahtevima nemačkog Zakona o bezbednosti proizvoda (ProdSG).

GS-znak pokazuje, da kod ispravne upotrebe i predvidive pogrešne primene označenog proizvoda bezbednost i zdravlje korisnika nisu ugroženi. Pri tome se radi o dobrovoljnom znaku bezbednosti, kojeg je izdao odgovarajući institut za ispitivanje.

Proveriti sadržaj pakovanja

Proverite sadržaj pakovanja Vašeg šredera, pre nego što pustite šreder u rad.

Ukoliko nešto nedostaje ili je oštećeno, ni u kom slučaju nemojte puštati šreder u rad. Obratite se našem servisu.

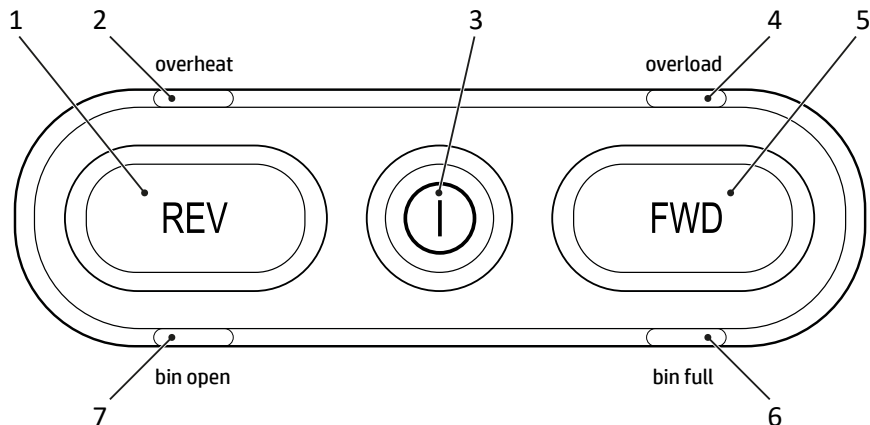
- 1 šreder Pro Shredder 24CC ili Pro Shredder 16MC sa posudom za sakupljanje izrezanog materijala
- 1 x uputstvo za upotrebu
- 1 mrežni kabel
- 1 list uljani papir

Vaš šreder detaljno

Sledeća slika detaljno predstavlja šreder.



1	Taster za posluživanje / prikaz statusa	5	Ručka
2	Uvlačenje	6	Prozor / ručka
3	Jedinica za sečenje	7	Posuda za sakupljanje
4	Prikaz statusa spreda	8	Kotači



1	Taster hod nazad	5	Taster hod napred
2	Status-LED pregrevavanje	6	Status-LED posuda za sakupljanje puna
3	Glavni prekidač uklj./isklj.	7	Status-LED posuda za sakupljanje otvorena
4	Status-LED prepunjeno		

Postaviti šreder i pustiti ga u rad

Vaš šreder radi samo sa posudom za sakupljanje. Nemojte postavljati šreder u blizini izvora toplote i držite udaljenost od zida od najmanje 10 cm. Tako se šreder optimalno hladi.

- 1** Postavite šreder na ravnu vodoravnu površinu i u blizini lako pristupačne utičnice.
- 2** Gurnite posudu za sakupljanje u uređaj. Posuda za sakupljanje se zvučno fiksira. Ukoliko posuda za sakupljanje nije pravilno postavljena na uređaj, šreder se ne može uključiti.
- i** Isključivo koristite dostavljeni priključni kabel.
- 3** Priključite mrežni kabel na uređaj.
- 4** Priključite mrežni kabel na utičnicu.
- 5** Uključite uređaj tako da pritisnete glavni prekidač **uklj./isklj.**
 - ➔ Prikaz statusa svetli plavo.
 - ➔ Pustili ste Vaš šreder u pogon.

Upotreba šredera

Vaš šreder radi sa automatskim usitnjavanjem. Šrederom se upravlja preko tastera za posluživanje na gornjoj strani uređaja.

Šreder je na prednjoj strani opremljen dodatnim prikazom statusa. Na ovom prikazu se prikazuje tastere i LED-e, koji se nalaze na gornjoj strani.

Automatsko usitnjavanje materijala

Poštujte maksimalni dozvoljeni učinak sečenja i druge specifikacije koje su navedene u **Tehničkim podacima**.



Upozorenje!

Ovaj uređaj nije predviđen da ga koriste deca. Izbegavajte da otvor za uvlačenje dodirujete rukama, odećom ili kosom. Iskopčajte priključni utikač, ako uređaj duže vreme ne koristite. U ovom uređaju se nalaze opasni pokretni delovi, držite delove tela dalje od pokretnih delova.

Važno!

Materijalna šteta kroz zastoj materijala! Sledite maksimalni učinak sečenja mesta uvlačenja.

- 1 U mesto za uvlačenje stavljajte materijal za usitnjavanje po sredini.
 - ➔ Mesto uvlačenja uvlači materijal i zaustavlja se kada se ne dodaje dalji materijal.

Manuelno usitnjavanje materijala

U retkim slučajevima senzori ne prepoznaju ubačeni materijal.

- 1 Pritisnite i držite taster **FWD**.
 - ➔ Materijal se manuelno uvlači i usitnjava.
- 2 Pustite taster **FWD**.

Isključiti šreder

Isključite šreder kada Vam više nije potreban.

- 1 Isključite uređaj tako da pritisnete glavni prekidač **uklj./isklj.**
 - ➔ Isključili ste šreder.
- 2 Izvucite utikač iz utičnice, ako se šreder ne koristi duži vremenski period.

Režim mirovanja

Ako 30 minuta ne koristite šreder, on prelazi u režim mirovanja. Gasi se prikaz statusa na prednjoj strani šredera. Prikaz statusa na gornjoj strani šredera se zatamnjuje.

Da biste isključili režim mirovanja, sprovedite sledeći korak:

1 U mesto za uvlačenje stavljajte materijal za usitnjavanje po sredini.

→ Šreder je ponovo spreman za rad.

i Alternativno pritisnite taster **FWD** ili taster **REV** na šrederu, kako biste isključili režim mirovanja.

Ako nešto ne funkcioniše

Sledeće napomene će Vam pomoći, ako nešto ne funkcioniše, na način na koji očekujete.

Zaštita od pregrevanja

Šreder se u slučaju pregrevanja automatski isključuje. Prikaz statusa svetli crveno.

Odaberite vreme trajanja za hlađenje šredera, koje je navedeno u poglavlju **Tehnički podaci**.

→ Nakon faze hlađenja prikaz statusa svetli PLAVO.

→ Sečenje se nastavlja.

i Poštujte minimalno odstojanje od zida i podatke o trajnom pogonu u **Tehničkim podacima**.

Zaštita od pregrevanja

Ako ste stavili više materijala nego što je navedeno u **Tehničkim podacima**, statusni prikaz svetli crveno i šreder počinje na 5 sekundi automatski hod unazad.

1 Izvucite materijal iz šredera.

→ Uklonili ste blokadu.

i Nakon što je materijal uklonjen iz šredera, jedinica za sečenje se naredne 3 sekunde dalje pokreće da bi se očistila. Sačekajte da se šreder ponovo zaustavi i da prikaz statusa svetli PLAVO.

Podmazati jedinicu za sečenje

Jedinicu za sečenje podmazivati u pravilnim vremenskim razmacima, da bi ste produžili vek trajanja šredera.

Kod HP-a se može nabaviti specijalno ulje i uljani papir za šredere.

Važno!

Materijalne štete usled upotrebe pogrešnih ulja! Ne upotrebljavati ulja za prskanje. Upotrebljavati isključivo specijalna ulja za šredere.

Imate različite mogućnosti za podmazivanje jedinice za sečenje.

Podmazivanje samostalno nauljanim papirom:

- 1 Na list papira nanosite specijalno ulje za šredere u više poprečnih linija.
- 2 U mesto za uvlačenje stavite nauljani list papira.
 - ➔ Nauljani papir se uvlači i podmazuje jedinicu za sečenje.

Podmazivanje voštanim listovima

- 1 U mesto za uvlačenje stavite nauljani list papira.
 - ➔ Nauljani papir se uvlači i podmazuje jedinicu za sečenje.

Isprazniti posudu za sakupljanje

Stanje punjenja posude za sakupljanje kontroliše senzor.

i Kod visokog stanja punjenja LED za prikaz statusa „Posuda za sakupljanje puna“ svetli CRVENO. Mehanizam za sečenje šredera se zaustavlja i morate da ispraznite posudu za sakupljanje.

- 1 Isključite uređaj tako da pritisnete glavni prekidač **uklj./isklj.**
- 2 Izvadite posudu za sakupljanje iz uređaja.

i Ako ste isključili uređaj, LED za prikaz statusa "Posuda za sakupljanje otvorena" svetli CRVENO.

- 3 Ispraznite posudu za sakupljanje.
- 4 Gurnite posudu za sakupljanje u uređaj.
 - ➔ Posuda za sakupljanje se zvučno fiksira.
 - ➔ Ispraznili ste posudu za sakupljanje.

Ukloniti ostatke materijala

Ako Vaš šreder više ne usitnjava materijal, kao što ste očekivali, uklonite ostatke materijala iz jedinice za sečenje.

- 1 Pritisnite i držite taster **REV**. Jedinica za sečenje radi unazad i oslobađa materijal koji je zaostao u jedinici za sečenje.
- 2 Pustite taster **REV**.
- 3 Isključite uređaj tako da pritisnete glavni prekidač **uklj./isklj.**
- 4 Izvucite prekidač iz utičnice.



Oprez!

Opasnost od povreda usled oštih ivica jedinice za sečenje! Budite posebno pažljivi kada uklanjate ostatke materijala.

- 5 Pažljivo uklonite ostatke materijala odgovarajućim oštrim predmetom iz jedinice za sečenje.
 - Ostatke materijala ste uklonili iz jedinice za sečenje.

Čišćenje šredera

Redovno čistite šreder.



Oprez!

Opasnost od povređivanja usled mlaznog plamena. Pri primeni spreja pod vazдушnim pritiskom može doći do mlaznog plamena. Nikada ne koristite sprejeve pod vazдушnim pritiskom.

- 1 Isključite uređaj tako da pritisnete glavni prekidač **uklj./isklj.**
- 2 Izvucite prekidač iz utičnice.
- 3 Površinu kućišta čistite mekom, suvom i glatkom krpom. Ne upotrebljavati sprejeve pod vazдушnim pritiskom, sredstva za čišćenje i rastvarače.

Tehnički podaci

Model	Pro Shredder 24CC	Pro Shredder 16MC
Dimenzije (mm)	Š: 295 D: 424 V: 645	Š: 295 D.: 424 V: 645
Nivo bezbednosti prema DIN 66399-2	P-4	P-5
Veličina isečenih komada (debljina × širina, mm)	4 × 35	2 × 15
Maks. učinak sečenja (listovi / kreditne kartice)	24/1	16/1
Radna širina (mm)	220	220
Snabdevanje strujom	220-240 V~, 50 Hz, 3.0 A, 680 W	220-240 V~, 50 Hz, 3.0 A, 680 W
Maks. prostorna temperatura [°C]	25	25
Kapacitet posude za prihvatanje (l)	30	30
Težina (kg)	20	18,2
Jačina zvuka (dB)	55	55
Trajni pogon (min) / vreme hlađenja (min)	40 / 50	40 / 50
Radna brzina (m/min)	1.6	1.6
Vrsta sečenja	Usitnjavanje	Mikrorez

Izjavljujemo, da ovi uređaji u slučaju uništavanja dokumentacije ispunjavaju uslove stepena bezbednosti P-4 i P-5 prema DIN 66399.

P-4: Preporučeno sa nosače podataka sa posebno osetljivim i pouzdanim podacima. Površina delova materijala ≤ 160 mm² i za pravilne partikule; ili širina trake ≤ 6 mm (npr. partikula 4 × 40 mm).

P-5: Preporučeno sa nosače podataka sa podacima, koje treba držati u tajnosti. Površina delova materijala ≤ 30 mm² i za pravilne partikule; ili širina trake ≤ 2 mm (npr. partikula 2 × 15 mm).

Zbrinjavanje



Simbol koji se nalazi pored označava da električne i elektronske uređaje na osnovu zakonskih odredbi treba odlagati odvojeno od kućnog smeća. Odložite Vaš uređaj na mestima za sakupljanje Vašeg komunalnog preduzeća za odlaganje otpada. Materijal pakovanja odložite u skladu s lokalnim propisima.



Obratite pozor na oznaku ambalažnog materijala prilikom odvajanja smeća, isto je označeno sa kraćenicama (b) i broj (a) koje imaju sledeće značenje: 1–7: plastike/20–22: papir i karton/ 80–98: kompozitni materijali.



Materijal pakovanja odložite u skladu s lokalnim propisima.



O mogućnostima za zbrinjavanje potrošenih uređaja možete da se informišete kod Vaše opštinske i gradske uprave.



Uređaj i reciklažni materijal mogu da se recikliraju, za bolje prerađivanje otpada bolje je da ih odvojeno zbrinete. Trimano logo važi samo u Francuskoj.



Uređaj i materijal za pakovanje se mogu reciklirati, odložite ih odvojeno radi bolje obrade smeća. Informišite se kod Vaše opštine o mogućnostima ispravnog odlaganja otpada. Obratite pozor na oznaku materijala za pakovanje prilikom odvajanja otpada, one su označene sa (a) brojevi, (b) skraćenice i (c) materijali sa sledećim značenjem: 1–7: plastike / 20–22: papir i karton / 80–98: kompozitni materijali i (d) vrsta ambalaže. Ovaj logo važi samo za Italiju.

Napomene o skladištenju

Nakon upotrebe šreder se mora skladištiti na sigurnom mestu. Sledite sledeće napomene:

Skladištite šreder

- samo u originalnom pakovanju
- na suvom i čistom mestu
- samo u ohlađenom stanju

Pitanja i servis

Poštovani kupče,
raduje nas što ste se odlučili za ovaj proizvod.

Ukoliko on ne funkcioniše kao što ste očekivali ili je defektan, obratite se prodavcu od koga se kupili ovaj proizvod.

Dalje informacije naći ćete u predelu Kontakt & Servis na našoj internetskoj stranici www.hp.com/officeequipment.

Izjava o konformnosti

CE CE oznaka na uređaju potvrđuje usaglašenost.

Izjavu o usaglašenosti možete naći pod www.hp.com/officeequipment.

UK CE oznaka na uređaju potvrđuje usaglašenost.

CA Izjavu o usaglašenosti možete naći pod www.hp.com/officeequipment.

Proizvođač

GO Europe GmbH
Zum Kraftwerk 1
D-45527 Hattingen
Germany

Läs bruksanvisningen



Läs igenom bruksanvisningen noga och beakta anvisningarna vid hanteringen av din dokumentförstörare. Spara bruksanvisningen för senare bruk.

Ändamålsenlig användning

Din dokumentförstörare är lämplig för sönderdelning av papper, plastkort, gem och häftklamrar. Dokumentförstöraren är uteslutande avsedd för privat användning inomhus.

All annan användning är ej ändamålsenlig. Egenmäktiga förändringar eller ombyggnader är inte tillåtna och leder till att garantin slutar gälla.

Beakta säkerhetsanvisningarna

Läs och beakta varningarna för att skydda dig och miljön.



Varning!

Risk för personskador på grund av indragningsmekanismen. Lösa föremål kan fastna i indraget och leda till skador. Håll fingrar, hår, halsdukar, slipsar, smycken etc. borta från indraget.



Varning!

Risk för personskador på grund av elektrisk stöt. En felaktig hantering av dokumentförstöraren kan leda till en elektrisk stöt. Egenmäktiga förändringar eller ombyggnader av dokumentförstöraren är inte tillåtna. Använd inte dokumentförstöraren med en skadad nätkabel. Stäng omedelbart av dokumentförstöraren vid skador eller felfunktion och dra ut nätstickkontakten. Använd endast den medföljande nätkabeln.

Låt endast kvalificerad fackpersonal utföra reparationer. Placera dokumentförstöraren i närheten av ett lättillgängligt eluttag så att den snabbt kan skiljas från elförsörjningen i nödfall. Rör den aldrig med våta händer. Undvik all kontakt med vatten.

Dra alltid ut nätstickkontakten när apparaten inte används. Använd endast den medföljande nätkabeln.



Varning!

Risk för kvävning på grund av smådelar, förpackningsmaterial eller skyddsfolier. Barn kan förtära smådelar, förpackningsmaterial eller skyddsfolier. Håll barn borta från enheten och dess förpackning.

**Varning!**

Denna enhet kan användas av barn från åtta års ålder och av personer med begränsade fysiska, sensoriska eller mentala förmågor eller brist på erfarenhet och/eller kunskaper om de står under uppsikt eller instruerats i en säker användning av enheten och har förstått de risker detta innebär. Barn får inte leka med enheten. Rengöring och användarunderhåll får inte göras av barn utan uppsikt.

**Försiktigt!**

Risk för att snubbla på grund av felaktigt dragen nätkabel. Dra nätkabeln på ett sådant sätt att ingen kan snubbla över den. Se till att nätstickkontakten och nätkabeln inte skadas.

**Viktigt!**

Risk för materiella skador. Undvik inverkan från miljön i form av rök, damm, vibrationer, kemikalier, fukt, värme eller direkt solstrålning.

Använd dokumentförstöraren endast i slutna utrymmen och inom ramen för de tillåtna omgivningsförhållandena, som anges under de tekniska data.

Beakta följande anvisningar så att din dokumentförstörare alltid fungerar på förväntat sätt.



Läs igenom bruksanvisningen innan idrifttagning.



Håll långt hår borta från dokumentförstöraren.



Håll löst sittande kläder, smycken eller andra lösa föremål borta från dokumentförstöraren.



Håll slipsar och halsdukar borta från dokumentförstöraren.



Allmän information om möjliga faror som kräver din speciella uppmärksamhet.



Stick aldrig in händerna i indraget.



Håll långt hår borta från dokumentförstöraren.



Spruta inga brännbara gaser i riktning mot dokumentförstöraren. Använd aldrig tryckluftssprayer.



Beakta maximiantalet blad (se Tekniska data).

**Försiktigt!**

Risk för personskador på grund av vasst skärverktyg!



Varning!

Denna enhet är inte avsedd att användas av barn. Undvik att röra vid indragningsöppningen med händer, kläder eller hår.

Dra ut nätstickkontakten om enheten inte skall användas under en längre tidsperiod. I denna enhet finns farliga rörliga delar. Håll kroppsdelar borta från rörliga delar.

Använd endast produkten inomhus.



För endast in plastkort vertikalt.



Märkningen „Geprüfte Sicherheit“ (Testad säkerhet) (GS-tecknet) intygar att produkten uppfyller kraven i tyska Produktsicherheitsgesetz (Produktsäkerhetslagen) (ProdSG).

GS-märkningen anger att användarens hälsa och säkerhet inte sätts i fara under förutsättningen att produkten används ändamålsenligt eller förutsägbart felaktigt. Det rör sig om en frivillig säkerhetsmärkning, som har utfärdats av ett lämpligt provningsinstitut.

Kontrollera förpackningsinnehållet

Kontrollera dokumentförstörarens förpackningsinnehåll innan du tar den i drift.

Om något skulle saknas eller vara skadat så får dokumentförstöraren inte tas i drift. Vänd dig i så fall till vår service.

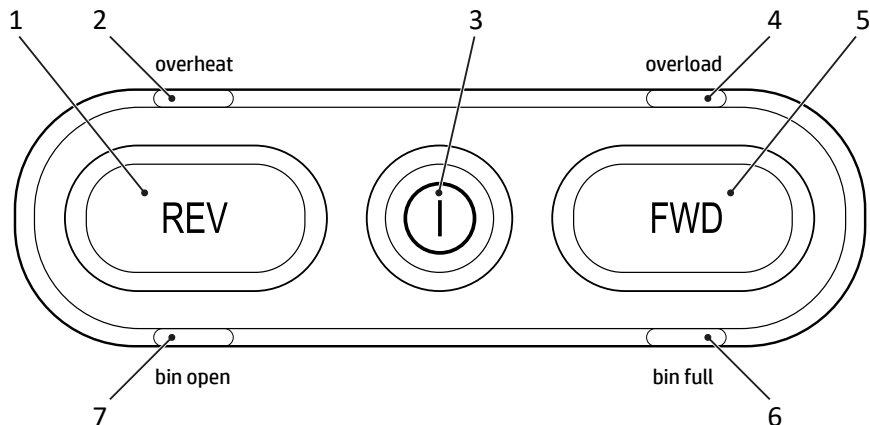
- 1 Dokumentförstöraren Pro Shredder 24CC eller ProShredder 16MC med uppfångningsbehållare för skuret gods
- 1 Bruksanvisning
- 1 Nätkabel
- 1 blad oljepapper

Dokumentförstöraren i detalj

Följande bild visar dokumentförstöraren i detalj.



1	Manöverknappar/Statusvisning	5	Handtag
2	Indrag	6	Synfönster/Handtag
3	Skärverk	7	Uppfångningsbehållare
4	Statusvisning fram	8	Rullar



1	Knapp backning	5	Framåtgång
2	Status-LED överhettning	6	Status-LED uppfångningsbehållare öppen
3	Huvudströmbrytare På/Av	7	Status-LED uppfångningsbehållare öppen
4	Status-LED överbelastning		

Ställa upp dokumentförstöraren och ta den i drift

Dokumentförstöraren fungerar bara med uppfångningsbehållaren. Placera inte dokumentförstöraren i närheten av värmekällor och håll ett avstånd på minst 10 cm från väggen. Så kyls dokumentförstöraren tillräckligt.

- 1 Placera uppfångningsbehållaren stabilt på en jämn och vågrät yta och i närheten av ett lättillgängligt eluttag.
- 2 Skjut in uppfångningsbehållaren i dokumentförstöraren. Uppfångningsbehållaren hakar i hörbart. Om uppfångningsbehållaren inte sitter korrekt i apparaten så kan dokumentförstöraren inte startas.

i Använd endast den medföljande nätkabeln.

- 3 Anslut nätkabeln till enheten.
- 4 Anslut nätstickkontakten till uttaget.
- 5 Sätt på apparaten genom att trycka på huvudströmbrytaren **På/Av**.

→ Statusvisningen lyser BLÅTT.

→ Du har tagit din dokumentförstörare i drift.

Hantering av dokumentförstöraren

Din dokumentförstörare arbetar med en automatisk nedmalning. Dokumentförstöraren hanteras med manöverknapparna på dess ovansida.

- Dokumentförstöraren är på framsidan utrustad med en ytterligare statusvisning. Denna statusvisning återger visningarna på ovansidan av de befintliga knapparna och LED:erna.

Mala ned material automatiskt

Beakta de maximalt tillåtna nedmalningsmängderna och andra specifikationer, som anges i **Tekniska data**.



Varning!

Denna enhet är inte avsedd att användas av barn. Undvik att röra vid indragningsöppningen med händer, kläder eller hår. Dra ut nätstickkontakten om enheten inte skall användas under en längre tidsperiod. I denna enhet finns farliga rörliga delar. Håll kroppsdelar borta från rörliga delar.

Viktigt!

Materiella skador på grund av materialstockning! Beakta indragningens maximala malningsprestanda.

- 1 För in det material som skall sönderdelas centrerat i indraget.
 - ➔ Indraget drar in materialet och stoppar när inget material förs in mer.

Mala ner material manuellt

I sällsynta fall identifierar inte sensorerna infört material.

- 1 Tryck och håll knappen **FWD** intryckt.
 - ➔ Materialet dras in manuellt och mals ner.
- 2 Släpp knappen **FWD**.

Stänga av dokumentförstöraren

Stäng av dokumentförstöraren när du inte längre behöver den.

- 1 Stäng av apparaten genom att trycka på huvudströmbrytaren **På/Av**.
 - ➔ Du har stängt av dokumentförstöraren.
- 2 Om dokumentförstöraren inte används under längre tid så skall nätstickkontakten dras ut ur vägguttaget.

Viloläge

Om du inte använder dokumentförstöraren under 30 minuter övergår den till viloläget. Statusvisningen på framsidan av dokumentförstöraren slocknar. Statusvisningen på ovensidan av dokumentförstöraren dimmas.

För att stänga av viloläget utför du följande steg:

1 För in det material som skall sönderdelas centrerat i indraget.

→ Dokumentförstöraren är driftsklar igen.

i Alternativt trycker du på knappen **FWD** eller knappen **REV** på dokumentförstöraren för att stänga av viloläget.

Om något inte fungerar

Följande anvisningar hjälper dig när något inte fungerar på förväntat sätt.

Överhettningsskydd

Dokumentförstöraren stänger av sig automatiskt vid överhettning. Statusvisningen lyser RÖTT.

Vänta den tidsperiod, som anges i **Tekniska data** tills dokumentförstöraren har svalnat.

→ Efter avkylningsfasen lyser statusvisningen BLÅTT.

→ Sönderdelningen fortsätter.

i Beakta minimiavståndet till väggen och uppgifterna om kontinuerlig drift i **Tekniska data**.

Överbelastningsskydd

Om du har matat in mer material än vad som anges i de **Tekniska data** blinkar statusvisningen RÖTT och dokumentförstöraren börjar backa automatiskt i 5 sekunder.

1 Dra ut materialet ur dokumentförstöraren.

→ Du har lossat blockeringen.

i Efter att materialet avlägsnats ur dokumentförstöraren fortsätter skärverket att röra sig i 3 sekunder för rengöring. Vänta tills dokumentförstöraren står stilla igen och statusvisningen lyser BLÅTT.

Olja skärverket

Olja skärverket till dokumentförstöraren regelbundet för att förlänga dokumentförstörarens livslängd.

Det finns speciell olja och oljeblad för dokumentförstörare från HP.

Viktigt!

Materiella skador vid användningen av felaktiga oljor! Använd inga sprutoljor. Använd endast specialolja för dokumentförstörare.

Du har olika möjligheter att olja skärverket.

Olja med egeninoljat papper:

- 1 Applicera specialolja för dokumentförstörare i form av flera diagonala linjer på ett pappersark.
- 2 För in det inoljade papperet i indraget.
 - ➔ Det oljefuktade bladet dras in och oljar skärverket.

Olja med oljepapper

- 1 För in oljebladet i indraget.
 - ➔ Det oljefuktade bladet dras in och oljar skärverket.

Tömma uppfångningsbehållaren

Uppfångningsbehållaren nivå övervakas av en sensor.

i Vid en hög nivå blinkar Status-LED "Uppfångningsbehållare full" RÖD. Dokumentförstörarens skärverk stannar och du måste tömma uppfångningsbehållaren.

- 1 Stäng av apparaten genom att trycka på huvudströmbrytaren **På/Av**.
- 2 Dra ut uppfångningsbehållaren ur dokumentförstöraren.
 - i** Om du inte har stängt av enheten lyser status-LED:n "Uppfångningsbehållaren öppen" RÖD.
- 3 Töm uppfångningsbehållaren.
- 4 Skjut in uppfångningsbehållaren i dokumentförstöraren.
 - ➔ Uppfångningsbehållaren hakar i hörbart.
 - ➔ Du har tömt uppfångningsbehållaren.

Ta bort materialrester

Om dokumentförstöraren inte sönderdelar materialet på det förväntade sättet tar du bort fastnade materialrester ur skärverket.

- 1 Tryck och håll knappen **REV** intryckt. Skärverket backar och matar ut kvarvarande material i skärverket.
- 2 Släpp knappen **REV**.
- 3 Stäng av apparaten genom att trycka på huvudströmbrytaren **På/Av**.
- 4 Dra ut nätstickkontakten ur vägguttaget.



Försiktigt! Risk för personskador på grund av vasst skärverktyg! Var speciellt försiktig vid borttagningen av materialrester.

- 5 Ta försiktigt bort materialrester ur skärverket med ett lämpligt vasst föremål.
→ Du har avlägsnat materialresterna ur skärverket.

Rengöring av dokumentförstöraren

Rengör dokumentförstöraren med jämna mellanrum.



Försiktigt! Risk för personskador på grund av plötsligt uppflammande låga. Vid användning av tryckluftssprayer kan det plötsligt flamma upp en låga. Använd aldrig tryckluftssprayer.

- 1 Stäng av apparaten genom att trycka på huvudströmbrytaren **På/Av**.
- 2 Dra ut nätstickkontakten ur vägguttaget.
- 3 Rengör kåpens yta med en mjuk, torr och luddfri duk. Använd inga tryckluftssprayer, rengörings- eller lösningsmedel.

Tekniska data


Modell	Pro Sredder 24CC	Pro Shredder 16MC
Mått (mm)	B: 295 L: 424 H: 645	B: 295 L.: 424 H: 645
Säkerhetssteg enligt DIN 66399-2	P-4	P-5
Malningsgodsets storlek (tjocklek × bredd, mm)	4 × 35	2 × 15
max. malningsprestanda (blad/plastkort)	24/1	16/1
Arbetsbredd (mm)	220	220
Strömförsörjning	220-240 V~, 50 Hz, 3.0 A, 680 W	220-240 V~, 50 Hz, 3.0 A, 680 W
Max. omgivningstemperatur [°C]	25	25
Volym uppfångningsbehållare (l)	30	30
Vikt (kg)	20	18,2
Ljudstyrka (dB)	55	55
Kontinuerlig drift (min)/avkylningstid (min)	40 / 50	40 / 50
Matningshastighet (m/min)	1.6	1.6
Typ av malning	Partikelmalning	Mikrosnitt


Vi förklarar att dessa apparater vid destruering av dokument uppfyller förutsättningarna för säkerhetsstegen P-4 och P-5 enligt DIN 66399.


P-4: Rekommenderas för databärare med speciellt känsliga och förtroliga data. Materialpartikel-yta ≤ 160 mm² eller regelbundna partiklar: remsbredd ≤ 6 mm (t.ex partiklar 4 × 40 mm).


P-5: Rekommenderas för databärare med data, som skall hållas hemliga. Materialpartikel-yta ≤ 30 mm² eller regelbundna partiklar: remsbredd ≤ 2 mm (t.ex partiklar 2 × 15 mm).


Avfallshantering

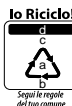
 Den vidstående symbolen betyder att den förbrukade elektriska och elektroniska apparaten på grund av lagstadgade bestämmelser inte får avfallshandteras som hushållsavfall. Avfallshandtera enheten på din kommunala återvinningsstation. Avfallshandtera förpackningsmaterial enligt de lokala föreskrifterna.

 Beakta märkningen av förpackningsmaterialet vid källsorteringen. Dessa är märkta med förkortningar (b) och nummer (a) med följande betydelse: 1–7: plast / 20–22: papper och papp / 80–98: kombinationsmaterial.

 Förpackningsmaterial avfallshandterar du i enlighet med de lokala föreskrifterna.

 Förpackningen består av miljövänliga material, som du kan avfallshandtera via de lokala återvinningsstationerna. Informera dig hos din kommun om möjligheterna för en korrekt avfallshandtering.

 Enheten och förpackningsmaterialet är återvinningsbara. Avfallshandtera dem separat för en bättre avfallsbehandling. Triman-loggan gäller endast Frankrike.

 Apparaten och förpackningsmaterialet är återvinningsbara. Avfallshandtera dessa separat för att förbättra avfallshandteringen. Informera dig hos din kommun om möjligheterna för en korrekt avfallshandtering. Beakta följande märkning av förpackningsmaterialet: (a) nummer, (b) förkortningar och (c) material med följande betydelse: 1–7: plast / 20–22: papper och papp / 80–98: kombinationsmaterial och (d) typ av förpackning. Logotypen gäller bara Italien.

Förvaringsanvisningar

Efter användningen skall dokumentförstöraren förvaras säkert. Beakta följande anvisningar:

Förvara dokumentförstöraren

- endast i originalförpackningen
- på ett torrt och rent ställe
- endast i svalt tillstånd

Frågor och service

Bäste kund!

Tack för att du har bestämt dig för vår produkt. Om det skulle vara något fel på den så lämna tillbaka den i originalförpackningen tillsammans med kvittot där du köpte den. Du har lagstadgad garanti.

Ytterligare informationer finns också i avsnittet Kontakt & Service på vår internetsida www.hp.com/officeequipment.

Försäkran om överensstämmelse

CE CE-märkningen bekräftar konformiteten.

Förklaringen om överensstämmelse finns under www.hp.com/officeequipment.

UK CE-märkningen på enheten bekräftar konformiteten.

CA Förklaringen om överensstämmelse finns under www.hp.com/officeequipment.

Tillverkare

GO Europe GmbH
Zum Kraftwerk 1
D-45527 Hattingen
Tyskland

Kullanma kılavuzunu okuyunuz



Kullanma kılavuzunu okuyunuz ve evrak imha makinesini kullanırken mevcut bilgilere dikkate ediniz. Daha sonra kullanmak için kullanma kılavuzunu saklayınız.

Amacına uygun kullanım

Evrak imha makineniz; kağıt, kredi kartları, ataşlar, zımbaları parçalamak için uygundur. Evrak imha makinesi, sadece kapalı mekanlarda kişisel kullanım için uygundur.

Bunun dışındaki her türlü kullanım şekli, amacına aykırı kullanım olarak kabul edilir. Kendi başına değişiklikler veya tadilatlar yapılmasına izin verilmez ve bu, garanti haklarının kaybedilmesine neden olur.

Güvenlik uyarılarına dikkat ediniz

Kendinizi ve çevreyi korumak için uyarı bilgilerini okuyunuz ve dikkate alınız.



Uyarı!

Doldurma mekanizması nedeniyle yaralanma tehlikesi. Gevşek nesnelere, doldurma ünitesinde sıkışabilir ve yaralanmalara neden olabilir. Parmaklarınızı, saçlarınızı, atkı, kravat, takı, vb. gibi nesnelere doldurma ünitesinden uzak tutunuz.



Uyarı!

Elektrik çarpması nedeniyle yaralanma tehlikesi. Evrak imha makinesinin hatalı şekilde kullanılması, elektrik çarpmasına neden olabilir. Evrak imha makinesinde kendi başına değişiklikler veya tadilatlar yapılmasına izin verilmez. Elektrik kablosu hasarlıysa evrak imha makinesini çalıştırmayınız. Hasarlı olması veya düzgün çalışmaması durumunda evrak imha makinesini kapatınız ve elektrik fişini çekiniz. Sadece birlikte verilen elektrik kablosunu kullanınız.

Onarımları sadece kalifiye uzman personele yaptırınız. Evrak imha makinesinin acil durumda elektrik şebekesinden hızlı şekilde ayrılabilmesi için, evrak imha makinesini kolayca ulaşılabilen bir prizine yakınına yerleştiriniz. Elleriniz ıslakken cihazı kesinlikle tutmayınız. Suyla her türlü temastan kaçınınız.

Cihazı kullanmadığınız zamanlarda elektrik fişini mutlaka çekiniz. Sadece birlikte verilen elektrik kablosunu kullanınız.



Uyarı!

Küçük parçalar, ambalaj malzemeleri veya koruyucu folyolar nedeniyle boğulma tehlikesi. Çocuklar; küçük parçaları, ambalaj malzemelerini veya koruyucu folyoları yutabilir. Çocukları cihazdan ve ambalajından uzak tutunuz.



Uyarı!

Bu cihaz, gözetim altında tutulmaları ya da cihazın güvenli şekilde kullanılması konusunda bilgilendirilmiş ve bu nedenle oluşan tehlikeleri anlamış olmaları durumunda sekiz yaşından büyük çocuklar ile sınırlı fiziksel, duyuşal veya ruhsal becerilere sahip kişiler ya da deneyimi ve/veya bilgisi eksik kişiler tarafından kullanılabilir. Çocuklar cihazla oynamamalıdır. Çocuklar, cihazı gözetim altında olmadan temizlememeli ve bakıma tâbi tutmamalıdır.



Dikkat!

Hatalı döşenen elektrik kablosu nedeniyle tökezlenme tehlikesi. Elektrik kablosunu hiç kimse tökezlenmeyecek şekilde döşeyiniz. Elektrik fişinde ve elektrik kablosunda hasarlar oluşmamasına dikkat ediniz.



Önemli!

Maddi hasarlar oluşabilir. Örn. duman, toz, titreşim, kimyasal maddeler, nem, ısı veya direkt güneş ışınları gibi çevre etkilerini önleyiniz.

Evrak imha makinesini sadece kapalı mekânlarda ve teknik verilerde belirtilmiş olan izin verilen ortam koşullarında kullanınız.

Evrak imha makinenizin her zaman beklediğiniz gibi çalışması için aşağıdaki uyarılara dikkat ediniz.



Cihazı devreye almadan önce kullanma kılavuzunu okuyunuz.



Uzun saçları, evrak imha makinesinden uzak tutunuz.



Giysilerin, takıların gevşek parçalarını veya diğer gevşek nesnelere evrak imha makinesinden uzak tutunuz.



Kravatları ve atkılarını, evrak imha makinesinden uzak tutunuz.



Özel dikkat gerektiren olası tehlikeler hakkında genel bilgi.



Doldurma ünitesine kesinlikle elinizi sokmayınız.



Çocukları ve ev hayvanlarını, evrak imha makinesinden uzak tutunuz.



Evrak imha makinesine doğru yanıcı gazlar püskürtmeyiniz. Basıncı hava spreylelerini kesinlikle kullanmayınız.



Maksimum yaprak sayısına dikkat ediniz (bkz. Teknik veriler bölümü).



Dikkat!

Keskin kenarlı kesme düzeneği nedeniyle yaralanma tehlikesi!



Uyarı!

Bu cihaz, çocuklar tarafından kullanım için öngörülmemiştir. Giriş deliğine eller, giysiler veya saçlarla temas etmekten kaçınınız.

Cihazı uzun süre kullanmayacaksınız elektrik fişini çekiniz. Bu cihazda tehlikeli hareketli parçalar bulunmaktadır, vücut uzuvlarını hareketli parçalardan uzak tutunuz.

Ürünü sadece iç mekanlarda kullanınız.



Kredi kartlarını sadece dik olarak içeri sokunuz.



«Test edilmiş güvenlik» mührü (GS işareti), ürünün, Alman Üretim Güvenliği Yasası'nın (ProdSG) gerekliliklerini karşıladığı anlamına gelir.

GS işareti, amacına uygun kullanım ve tanımlanan ürünün öngörülebilir hatalı kullanımı durumunda kullanıcının güvenliği ve sağlığına yönelik bir tehlike oluşmayacağı anlamına gelir. Burada, uygun bir test kurumu tarafından düzenlenen ve isteğe bağlı bir güvenlik işareti söz konusudur.

Ambalaj içeriğinin kontrol edilmesi

Evrak imha makinesini çalıştırmadan önce evrak imha makinesinin ambalaj içeriğini kontrol ediniz.

Eksiklik veya hasar durumunda evrak imha makinesini kesinlikle çalıştırmayınız. Servis bölümümüze başvurunuz.

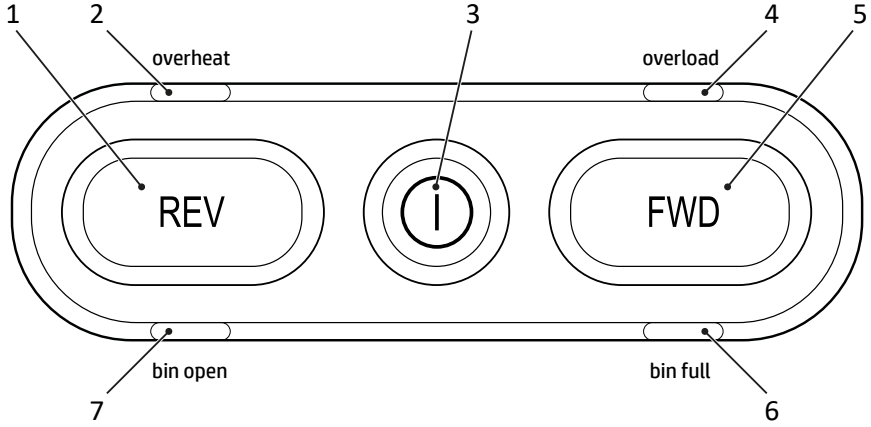
- 1 Kesilen ürün atık kutulu Pro Shredder 24CC veya Pro Shredder 16MC evrak imha makinesi
- 1 Kullanma kılavuzu
- 1 elektrik kablosu
- 1 yaprak yağlı kağıt

Evrak imha makinesinin ayrıntıları

Aşağıdaki şekil, evrak imha makinesinin ayrıntılarını göstermektedir.



1	Kumanda tuşları / durum göstergesi	5	Tutamak
2	Doldurma ünitesi	6	Kontrol camı / tutamak
3	Kesme düzeneği	7	Atık kutusu
4	Durum göstergesi ön	8	Tekerlekler



1	Geri hareket tuşu	5	İleri hareket tuşu
2	Aşırı ısınma durum LED'i	6	Atık kutusu dolu durum LED'i
3	Açma/Kapatma ana şalteri	7	Atık kutusu açık durum LED'i
4	Aşırı yükleme durum LED'i		

Evrak imha makinesinin yerleştirilmesi ve çalıştırılması

Evrak imha makinesi, sadece atık kutusuyla birlikte çalışır. Evrak imha makinesini ısı kaynaklarının yakınına yerleştirmeyiniz ve duvara en az 10 cm'lik bir mesafe bırakınız. Bu sayede evrak imha makinesi yeterli düzeyde soğutulur.

- 1 Evrak imha makinesini, durma güvenliği sağlanmış şekilde düz, yatay bir yüzeye ve kolay ulaşılabilen bir prizine yakınına yerleştiriniz.
- 2 Atık kutusunu cihazın içine itiniz. Atık kutusu duyulur şekilde yerine oturur. Atık kutusu cihazın içinde doğru şekilde oturmazsa, evrak imha makinesi çalıştırılmaz.

i Sadece birlikte verilen elektrik kablosunu kullanınız.

- 3 Elektrik kablosunu cihaza bağlayınız.
- 4 Elektrik fişini prize takınız.
- 5 **Açma/Kapatma** ana şalterine basarak cihazı açınız.

→ Durum göstergesi MAVİ renkte yanar.

→ Evrak imha makinesini devreye aldınız.

Evrak imha makinesinin kullanılması

Evrak imha makinesi, otomatik bir parçalama sistemiyle çalışır. Evrak imha makinesi, cihazın üst tarafındaki kumanda tuşlarıyla kullanılır.

i Evrak imha makinesi, ön tarafta ek bir durum göstergesiyle donatılmıştır. Bu durum göstergesi, üst tarafta mevcut olan tuşların ve LED'lerin göstergelerini görüntüler.

Malzemenin otomatik olarak parçalanması

İzin verilen maksimum kesme kapasitesine ve **teknik verilerde** belirtilen diğer özelliklere dikkat ediniz.



Uyarı!

Bu cihaz, çocuklar tarafından kullanım için öngörülmemiştir. Giriş deliğine eller, giysiler veya saçlarla temas etmekten kaçınınız.

Cihazı uzun süre kullanmayacaksınız elektrik fişini çekiniz. Bu cihazda tehlikeli hareketli parçalar bulunmaktadır, vücut uzuvlarınızı hareketli parçalardan uzak tutunuz.

Önemli!

Malzeme birikmesi nedeniyle maddi hasar! Doldurma ünitesinin maksimum kesme kapasitesine dikkat ediniz.

1 Parçalanacak malzemeyi doldurma ünitesinin ortasından içeri sokunuz.

→ Doldurma ünitesi malzemeyi içeri çeker ve başka malzeme içeri sokulmadığında durur.

Malzemenin elle parçalanması

Nadir durumlarda, sensörler içeri sokulan malzemeyi algılamaz.

1 FWD tuşuna basınız ve tuşu basılı tutunuz.

→ Malzeme elle doldurulur ve parçalanır.

2 FWD tuşunu bırakınız.

Evrak imha makinesinin kapatılması

Evrak imha makinesine artık ihtiyaç duymadığınızda evrak imha makinesini kapatınız.

1 Açma/Kapatma ana şalterine basarak cihazı kapatınız.

→ Evrak imha makinesini kapattınız.

2 Evrak imha makinesi uzun bir süre kullanılmayacaksa elektrik fişini prizden çekiniz.

Uyku modu

Evrak imha makinesini 30 dakika süreyle kullanmazsanız, evrak imha makinesi uyku moduna geçer. Evrak imha makinesinin ön tarafındaki durum göstergesi söner. Evrak imha makinesinin üst tarafındaki durum göstergesi solar.

Uyku modunu kapatmak için şu adımı atmanız gerekir:

- 1 Parçalanacak malzemeyi doldurma ünitesinin ortasından içeri sokunuz.
→ Evrak imha makinesi çalışmaya hazırdır.

i Alternatif olarak uyku modunu kapatmak için evrak imha makinesindeki **FWD** tuşuna ya da **REV** tuşuna basınız.

Bir şeyler çalışmazsa

Bir şeylerin beklediğiniz gibi çalışmaması durumunda aşağıdaki bilgiler size yardımcı olur.

Aşırı ısınma koruması

Evrak imha makinesi, aşırı ısınma durumunda otomatik olarak kapanır. Durum göstergesi KIRMIZI renkte yanar.

Evrak imha makinesi soğuyana kadar, **teknik verilerde** belirtilen sürenin dolmasını bekleyiniz.

- Soğuma aşamasından sonra durum göstergesi MAVİ renkte yanar.
- Parçalama işlemi devam ettirilir.

i Duvarla aradaki asgari mesafeye ve sürekli çalışma hakkında **teknik verilerde** belirtilen bilgilere dikkat ediniz.

Aşırı yüklenme koruması

Teknik verilerde belirtilenden farklı bir malzeme beslediyseniz, durum göstergesi KIRMIZI renkte yanıp söner ve evrak imha makinesi 5 saniye süreyle otomatik geri hareketi başlatır.

- 1 Malzemeyi evrak imha makinesinden çekiniz.
→ Blokajı çözdünüz.

i Malzeme evrak imha makinesinden çıkartıldıktan sonra, kesme düzeneği, kendini temizlemek için 3 saniye süreyle çalışmaya devam eder. Evrak imha makinesinin durmasını ve durum göstergesinin MAVİ renkte yanmasını bekleyiniz.

Kesme düzeneğinin yağlanması

Evrak imha makinesinin kullanım ömrünü uzatmak için evrak imha makinesinin kesme düzeneğini düzenli olarak yağlayınız.

Evrak imha makinesi için HP'den özel ve yağlı kağıtlar temin edilebilir.

Önemli!

Yanlış yağların kullanılması nedeniyle maddi hasar! Püskürtme yağları kullanmayınız. Sadece evrak imha makinelerine özel yağı kullanınız.

Kesme düzeneğini farklı yöntemlerle yağlayabilirsiniz.

Kendi yağladığınız kağıtla yağlama:

- 1 Evrak imha makinesine özel yağı birden çok enine çizgi şeklinde bir yaprak kağıda sürünüz.
- 2 Yağlanmış kağıdı doldurma ünitesine sokunuz.
 - Yağlanmış kağıt içeri çekilir ve kesme düzeneğini yağlar.

Yağlı kağıtlarla yağlama

- 1 Yağlı kağıdı doldurma ünitesine sokunuz.
 - Yağlanmış kağıt içeri çekilir ve kesme düzeneğini yağlar.

Atık kutusunun boşaltılması

Atık kutusunun doluluk seviyesi bir sensörle denetlenir.

i Doluluk seviyesi yüksekken, "Atık kutusu dolu" durum LED'i KIRMIZI renkte yanıp söner. Evrak imha makinesinin kesme düzeneği durur ve atık kutusunu boşaltmanız gerekir.

1 **Açma/Kapatma** ana şalterine basarak cihazı kapatınız.

2 Atık kutusunu cihazdan çekiniz.

i Cihazı kapatmadıysanız, "Atık kutusu açık" durum LED'i KIRMIZI renkte yanar.

3 Atık kutusunu boşaltınız.

4 Atık kutusunu cihazın içine itiniz.

→ Atık kutusu duyulur şekilde yerine oturur.

→ Atık kutusunu boşalttınız

Malzeme artıklarının temizlenmesi

Evrak imha makinesi malzemeyi beklediğiniz şekilde parçalamazsa, kalan malzeme artıklarını kesme düzeneğinden temizleyiniz.

- 1 **REV** tuşuna basınız ve tuşu basılı tutunuz. Kesme düzeneği geriye doğru çalışır ve kesme düzeneğinde kalan malzemeyi serbest bırakır.
- 2 **REV** tuşunu bırakınız.
- 3 **Açma/Kapatma** ana şalterine basarak cihazı kapatınız.
- 4 Elektrik fişini prizden çekiniz.



Dikkat!

Keskin kenarlı kesme düzeneği nedeniyle yaralanma tehlikesi! Malzeme artıklarını temizlerken çok dikkatli olunuz.

- 5 Kalan malzeme artıklarını, uygun bir sivri cisimle dikkatlice kesme düzeneğinden temizleyiniz.
→ Malzeme artıklarını kesme düzeneğinden temizlediniz.

Evrak imha makinesinin temizlenmesi

Evrak imha makinesini düzenli olarak temizleyiniz.



Dikkat!

Parlama nedeniyle yaralanma tehlikesi! Basınçlı hava sprejlerinin kullanılması durumunda parlama durumları oluşabilir. Basınçlı hava sprejlerini kesinlikle kullanmayınız.

- 1 **Açma/Kapatma** ana şalterine basarak cihazı kapatınız.
- 2 Elektrik fişini prizden çekiniz.
- 3 Gövde yüzeylerini yumuşak, kuru, havsız bir bezle temizleyiniz. Basınçlı hava spreji, temizlik maddesi veya solvent kullanmayınız.

Teknik veriler


Model	Pro Shredder 24CC	Pro Shredder 16MC
Boyutlar (mm)	G: 295 U: 424 Y: 645	G: 295 U: 424 Y: 645
DIN 66399-2 uyarınca güvenlik seviyesi	P-4	P-5
Kesilecek malzeme boyutu (Kalınlık × Geniřlik, mm)	4 × 35	2 × 15
maks. kesme performansı (yaprak / kredi kartı)	24/1	16/1
Çalıřma geniřliđi (mm)	220	220
Güç kaynađı	220-240 V~, 50 Hz, 3.0 A, 680 W	220-240 V~, 50 Hz, 3.0 A, 680 W
Maks. ortam sıcaklıđı [°C]	25	25
Atık kutusu kapasitesi (l)	30	30
Ađırlık (kg)	20	18,2
Ses řiddeti (dB)	55	55
Sürekli çalıřma (dak) / Sođuma süresi (dak)	40 / 50	40 / 50
Çalıřma hızı (m/dak)	1.6	1.6
Kesim řekli	Çapraz kesim	Mikro kesim


İřbu beyanla, dokümanların imha edilmesi sırasında bu cihazların DIN 66399 uyarınca P-4 ve P-5 güvenlik kademelerinin önköřullarını karřıladıđını beyan ederiz.

P-4: Çok hassas ve gizli veriler içeren veri taşıyıcılar için önerilir. Malzeme parçacıđı alanı ≤ 160 mm² veya düzenli partiküller: řerit geniřliđi ≤ 6 mm (örn. 4 × 40 mm partikül).

P-5: Gizli tutulması gereken verileri içeren veri taşıyıcılar için önerilir. Malzeme parçacıđı alanı ≤ 30 mm² veya düzenli partiküller: řerit geniřliđi ≤ 2 mm (örn. 2 × 15 mm partikül).

Tasfiye

 Yandaki sembol, elektrikli ve elektronik eski cihazların yasal düzenlemeler nedeniyle evsel atıklardan ayrı olarak tasfiye edilmesi gerektiği anlamına gelir. Cihazınızı, yerel tasfiye yüklenicisinin toplama noktasında tasfiye ediniz.

 Atık ayırma sırasında ambalaj malzemesindeki işarete dikkat ediniz, bunlar, şu anlama sahip kısaltmalar (b) ve numaralardır; (a): 1–7: Plastikler / 20–22: Kağıt ve karton / 80–98: Kompozit maddeler.



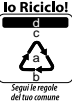
Ambalaj malzemelerini yerel yönetmeliklere uygun şekilde tasfiye ediniz.



Ambalaj, yerel geri dönüşüm noktalarında tasfiye edebileceğiniz çevre dostu malzemelerden oluşur. Doğru tasfiye hakkında yerel makamlardan bilgi edininiz.



Cihaz ve ambalaj malzemesi geri dönüştürülebilir, atıkları daha iyi işlemek için cihazı ve ambalaj malzemesini ayrı olarak tasfiye ediniz. Triman logosu, sadece Fransa için geçerlidir.



Cihaz ve ambalaj malzemesi geri dönüştürülebilir, atıkları daha iyi işlemek için cihazı ve ambalaj malzemesini ayrı olarak tasfiye ediniz. Doğru tasfiye hakkında yerel makamlardan bilgi edininiz. Ambalaj malzemesindeki şu işaretlere dikkat ediniz: şu anlama sahip (a) numaralar, (b) kısaltmalar ve (c) malzeme: 1–7: Plastikler / 20–22: Kağıt ve karton / 80–98: Kompozit maddeler ve (d) ambalajın türü. Logo, sadece İtalya için geçerlidir.

Depolama bilgileri

Kullanımdan sonra evrak imha makinesi güvenli şekilde depolanmalıdır. Aşağıdaki uyarılara dikkat ediniz:

Evrak imha makinesini;

- sadece orijinal ambalajında
- kuru, temiz bir yerde
- sadece serin durumda depolayınız

Sorular ve servis

Değerli Müşterimiz,

bu cihazı tercih ettiğiniz için teşekkür ederiz.

Herhangi bir arıza durumunda cihazı kasa fişi ve orijinal ambalajı ile birlikte satın almış olduğunuz satış noktasına teslim ediniz.

Diğer bilgileri, www.hp.com/officeequipment adresindeki web sitemizde yer alan İletişim ve Servis bölümünde de bulabilirsiniz.

Uygunluk beyanı

CE Cihazın üzerindeki CE işareti, uygunluğu teyit eder.

Uygunluk beyanını, www.hp.com/officeequipment adresinde bulabilirsiniz.

UK Cihazın üzerindeki UKCA işareti, uygunluğu teyit eder.

CA Uygunluk beyanını, www.hp.com/officeequipment adresinde bulabilirsiniz.

Üretici

GO Europe GmbH
Zum Kraftwerk 1
D-45527 Hattingen
Almanya

العبوة تتكون من مواد صديقة للبيئة، والتي يُمكنك التخلص منها عبر نقاط إعادة التدوير المحلية. احصل على المعلومات من الجهة البلدية المختصة بك حول إمكانيات التخلص الصحيح من الجهاز.



الجهاز ومواد التعبئة قابلين لإعادة التدوير، برجاء التخلص منهم بشكلٍ منفصل لإتاحة معالجة النفايات بصورةٍ أفضل. شعار Triman ساري فقط في فرنسا.



الجهاز ومواد التعبئة قابلين لإعادة التدوير، برجاء التخلص منهم بشكلٍ منفصل لإتاحة معالجة النفايات بصورةٍ أفضل. احصل على المعلومات من الجهة البلدية المختصة بك حول إمكانيات التخلص الصحيح من الجهاز. قم بمراعاة الملصقات التالية لمواد التغليف: (a) الأرقام، (b) الاختصارات (c) المواد بالمعنى التالي: ١-٧: المواد البلاستيكية / ٢٢-٢٠: الورق والكرتون / ٩٨-٨٠: المواد المركبة، وأيضًا (d) نوع مواد التغليف. الشعار ساري فقط في إيطاليا



تعليمات التخزين

بعد الاستخدام، يجب حفظ آلة تمزيق الورق بصورة آمنة. يُرجى مراعاة التعليمات التالية:

قم بتخزين آلة تمزيق الورق

- فقط في عبوتها الأصلية
- وفي مكانٍ جافٍ ونظيف
- وبعد أن يبرد فقط

الأسئلة والخدمة

عزيزي العميل،

شكرًا لك على اختيارك لهذا المنتج

إذا لم يعمل المنتج بالشكل الذي تتوقعه أو إذا كان به عيب، فالرجاء الاتصال بالتاجر الذي اشتريت منه هذا المنتج.

إعلان المطابقة

تؤكد علامة CE على المطابقة مع المعايير الأوروبية.

ستجد إعلان المطابقة على الرابط www.hp.com/officeequipment.

تؤكد علامة UKCA على المطابقة مع المعايير الأوروبية.

ستجد إعلان المطابقة على الرابط www.hp.com/officeequipment.

الشركة المنتجة

شركة GO Europe ش.ذ.م.م.

١ Zum Kraftwerk

٤٥٥٢٧-D هاتينغن

ألمانيا

المواصفات الفنية

الموديل	Pro Shredder 16MC	Pro Shredder 24CC
	الطول: 424	الطول: 424
الأبعاد (مم)	العرض: 295	العرض: 295
	الارتفاع: 645	الارتفاع: 645
فئة الحماية بحسب المعيار DIN 66399-2	P-5	P-4
القطع الكبير (السك × العرض، مم)	15×2	35×4
الحد الأقصى لقدرة القطع (الأوراق / بطاقة الائتمان)	16/1	24/1
عرض مساحة العمل (مم)	220	220
الإمداد بالطاقة	220-240 فولت~، 50 هرتز، 3,0 أمبير، 680 واط	220-240 فولت~، 50 هرتز، 3,0 أمبير، 680 واط
سعة وعاء تجميع (لتر)	30	30
أقصى درجة حرارة مُحيطَة [م°]	٢٥	٢٥
الوزن (كجم)	18,2	20
شدة الصوت (ديسيبل)	55	55
مدة التشغيل (دقيقة) / مدة التبريد (دقيقة)	50 / 40	50 / 40
سرعة العمل (م/دقيقة)	1,6	1,6
نوع القطع	التقطيع الميكروي	قطع الجزينات

تؤكد أن هذه الأجهزة تفي بمتطلبات مستويات السلامة P-4 و P-5 بحسب المعيار DIN 66399 عند إتلاف المستندات.

P-4: يوصى به لشركات نقل البيانات التي لديها بيانات حساسة وسرية للغاية. مساحة الجسيمات المادية ≥ 160 مم² وللجسيمات العادية: عرض الشريط ≥ 6 مم (مثل الجسيمات 4×40 مم).

P-5: يوصى به لشركات نقل البيانات التي لديها بيانات سرية. مساحة الجسيمات المادية ≥ 30 مم² وللجسيمات العادية: عرض الشريط ≥ 2 مم (على سبيل المثال الجسيمات 2×15 مم).

التخلص من النفايات

يجب إعادة تدوير البطاريات المعيبة أو المستخدمة بحسب المعيار EG/2006/66 والتغييرات التي تُجرى عليه. برجاء إرسال البطاريات و/ أو الجهاز إلى مرافق جمع النفايات المذكورة.

قم بمراعاة ملصقات مواد التعبئة والتغليف عند فصل النفايات، حيث تم تمييزها بالاختصارات (b) والأرقام (a) بالمعنى التالي: ١-٧: المواد البلاستيكية / ٢٢-٢٠: الورق والكرتون / ٩٨-٨٠: المواد المركبة.



تخلص من مواد التعبئة وفقاً للوائح المحلية.



تفريغ وعاء التجميع

مستوى ملاء وعاء التجميع يتم مراقبته باستخدام حساس.

في حالة مستوى الملاء العالي، يومض بيان الحالة "وعاء التجميع ممتلئ" باللون الأحمر. آلية القطع في آلة تمزيق الورق تتوقف، ويكون من الضروري تفريغ وعاء التجميع.

1 قم بإيقاف الجهاز، بحيث تضغط على الزر الرئيسي تشغيل/إيقاف.

2 اسحب وعاء التجميع من الجهاز.

إذا لم يتم إغلاق الجهاز، يومض بيان الحالة "وعاء التجميع مفتوح" باللون الأحمر.

3 قم بتفريغ وعاء التجميع.

4 قم بدفع وعاء التجميع داخل الجهاز.

← يتم تعشيق وعاء التجميع بصوت مسموع.

← لقد قمت بتفريغ وعاء التجميع

قم بإزالة المواد المتبقية

إذا لم تعد آلة تمزيق الورق قادرة على تمزيق المواد كما تتوقع، فقم بإزالة أي مواد متبقية في وحدة التقطيع.

1 اضغط على الزر REV واستمر بالضغط. تعمل وحدة التقطيع بشكل عكسي وتحرر أي مواد متبقية في وحدة التقطيع.

2 حرر الزر REV.

3 قم بإيقاف الجهاز، بحيث تضغط على الزر الرئيسي تشغيل/إيقاف.

4 اسحب قابس الطاقة من المقبس.

احترس! خطر الإصابة من شفرات وحدة التقطيع ذات الحواف الحادة! توخى الحذر عند إزالة المواد المتبقية.



5 قم بإزالة أي مواد متبقية من وحدة التقطيع بجسم ممدب مناسب.

← لقد أزلت المواد المتبقية من آلية القطع.

تنظيف آلة تمزيق الورق

قم بتنظيف آلة تمزيق الورق على فترات بينية منتظمة.

احترس! خطر الإصابة بسبب اللهب المتطاير! يمكن أن يتسبب استخدام رذاذ الهواء المضغوط في حدوث شرارات لهب. لا تستخدم رذاذ الهواء المضغوط.



1 قم بإيقاف الجهاز، بحيث تضغط على الزر الرئيسي تشغيل/إيقاف.

2 اسحب قابس الطاقة من المقبس.

3 نظف سطح المبيت بقطعة قماش ناعمة وجافة وخالية من الوبر. لا تستخدم رذاذ الهواء المضغوط، أو سوائل التنظيف أو المحاليل.

إذا كان أحد المكونات لا يعمل

ستساعدك الإرشادات التالية إذا لم يعمل أحد المكونات بالشكل الذي تتوقعه.

الحماية من فرط السخونة

تغلق آلة تمزيق الورق نفسها تلقائيًا في حالة ارتفاع درجة حرارتها. يضيء بيان الحالة باللون الأحمر.

انتظر انقضاء الفترة الزمنية المنصوص عليها في فصل البيانات الفنية حتى تبرد آلة تمزيق الورق.

← بعد فترة التبريد، سيضيء بيان الحالة باللون الأزرق.

← يتم مواصلة عملية التمزيق.

برجاء مراعاة وجود مسافة بينية من الجدار، ومراعاة التعليمات الخاصة بمدة التشغيل الواردة في البيانات الفنية.

الحماية من فرط التحميل

إذا قمت بإدخال مواد أكثر مما هو منصوص عليه في البيانات الفنية، فسيومض بيان الحالة باللون الأحمر وتبدأ آلة تمزيق الورق بالدوران العكسي التلقائي لمدة 5 ثوانٍ.

1 انزع المواد من آلة تمزيق الورق.

← لقد قمت بحل الانسداد.

بعد إزالة المواد من آلة تمزيق الورق، ستستمر وحدة التقطيع في التحرك لمدة 3 ثوانٍ لتنظيف نفسها. انتظر حتى تتوقف آلة تمزيق الورق ويضيء بيان الحالة باللون الأزرق.

قم بتزييت وحدة التقطيع

قم بتزييت وحدة التقطيع في آلة تمزيق الورق على فترات منتظمة لإطالة العمر الافتراضي لآلة تمزيق الورق.

يتوفر زيت خاص وأوراق زيت من HP لآلة تمزيق الورق.

هام!

أضرار مادية بسبب استخدام زيوت خاطئة! لا تستخدم زيوت متطايرة. لا تستخدم سوى الزيوت المخصصة لآلة تمزيق الورق.

لديك خيارات مختلفة لتزييت وحدة التقطيع.

التزييت بالورق ذاتي التزييت:

1 ضع زيتًا خاصًا لآلة تمزيق الورق على ورقة في عدة خطوط أفقية.

2 ضع الورقة التي تم تزييتها في وحدة السحب.

← يتم سحب الورقة المبللة بالزيت، ومن ثم تزييت وحدة التقطيع.

التزييت باستخدام أوراق الزيت

1 أدخل ورقة الزيت في وحدة السحب.

← يتم سحب الورقة المبللة بالزيت، ومن ثم تزييت وحدة التقطيع.

استخدام آلة تمزيق الورق

تعمل آلة تمزيق الورق الخاصة بك باستخدام خاصية التمزيق التلقائي. يتم استخدام آلة تمزيق الورق عن طريق أزرار الاستخدام في الجهة العلوية من الجهاز. آلة تمزيق الورق مزودة ببيان حالة إضافي في الجهة الأمامية. يعرض بيان الحالة هذا الإشعارات المتواجدة على الأزرار ومصباح LED المتواجدة على الجهة العلوية.

تمزيق المواد تلقائيًا

قم بمراجعة الحد الأقصى لأداء القطع المسموح به والمواصفات الفنية الأخرى الواردة في البيانات الفنية.

تحذير!

هذا الجهاز غير مُخصص للاستخدام من قِبل الأطفال. تجنب ملامسة فتحة السحب ليديك أو لملايسك أو لشعرك. انزع قابس الشبكة إذا لم تستخدم الجهاز لفترة طويلة. توجد في هذا الجهاز أجزاء متحركة، ابق جسمك بعيدًا عن الأجزاء المتحركة.



هام!

أضرار مادية بسبب انحشار المواد! قم بمراجعة قدرة التقطيع القصوى لوحدة السحب.

1 قم بتغذية المادة المراد تقطيعها في منتصف وحدة السحب.

← وحدة السحب من شأنها أن تسحب المواد وتتوقف عند توقف التغذية بالمزيد من المواد.

تمزيق المواد يدويًا

في بعض الحالات النادرة، تفشل المستشعرات في رصد المواد التي تم إدخالها.

1 اضغط على الزر FWD واستمر بالضغط.

← يتم سحب المواد وتقطيعها يدويًا.

2 حرر الزر FWD.

قم بإيقاف تشغيل آلة تمزيق الورق

قم بإيقاف تشغيل آلة تمزيق الورق إذا لم تعد بحاجة إليها.

1 قم بإيقاف الجهاز، بحيث تضغط على الزر الرئيسي تشغيل/إيقاف.

← لقد قمت بإيقاف تشغيل آلة تمزيق الورق.

2 اسحب قابس الطاقة من المقبس إذا لم تستخدم آلة تمزيق الورق لفترة طويلة من الوقت.

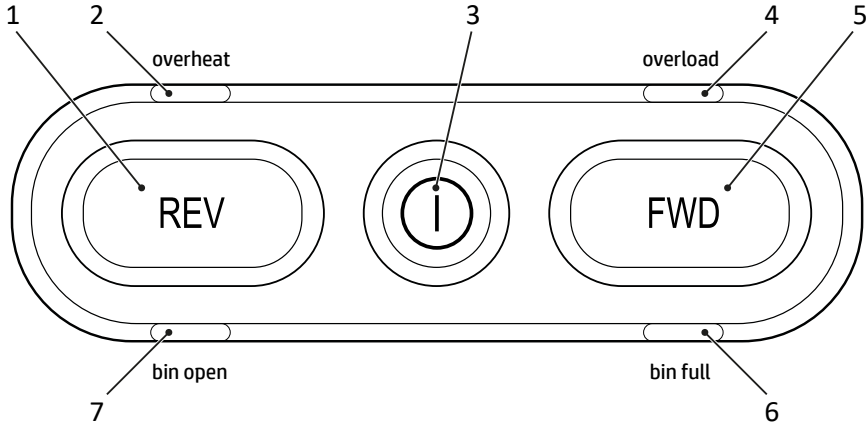
وضع الاستعداد

دقيقة، سيتم تحويلها إلى وضع الاستعداد ٣٠ إذا لم تستخدم آلة تمزيق الأوراق لمدة. وفي ذلك الصدد، سينطفئ بيان الحالة على الجهة الأمامية من آلة تمزيق الأوراق. يتم تخميد بيان الحالة في الجهة العلوية من آلة تمزيق الأوراق. لإطفاء وضع الاستعداد، قم بإجراء الخطوة التالية:

1 قم بتغذية المادة المراد تقطيعها في منتصف وحدة السحب.

← آلة تمزيق الورق جاهزة للتشغيل مرةً أخرى.

عوضًا عن ذلك، اضغط على الزر FWD أو الزر REV الاستعداد من آلة تمزيق الأوراق لإطفاء وضع.



زر التشغيل للأمام	5	زر التشغيل العكسي	1
مصباح LED لبيان الحالة، وعاء التجميع ممتلئ	6	مصباح LED لبيان الحالة، فرط الحرارة	2
مصباح LED لبيان الحالة، وعاء التجميع مفتوح	7	المفتاح الرئيسي تشغيل/إيقاف	3
		مصباح LED لبيان الحالة، فرط التحميل	4

نصب آلة تمزيق الورق وتشغيلها

لا تعمل آلة تمزيق الورق إلا مع وعاء التجميع. لا تقم بنصب آلة تمزيق الورق بالقرب من مصادر الحرارة وابقها على بعد ١٠ سم على الأقل من الحائط. فذلك يضمن أن آلة تمزيق الورق مبردة بشكل مناسب.

1 ضع آلة تمزيق الورق في وضع ثابت على سطح أفقي مسطح وبالقرب من مقبس يسهل الوصول إليه.

2 قم بدفع وعاء التجميع داخل الجهاز. يتم تعشيق وعاء التجميع بصوت مسموع. لا يمكن تشغيل آلة تمزيق الورق إذا لم يكن وعاء التجميع مثبتاً بشكل صحيح في الجهاز.

3 لا تستخدم إلا كابل الشبكة المورد مع الجهاز.

4 قم بتوصيل كابل الشبكة في الجهاز.

5 قم بتوصيل قابس الطاقة في المقبس.

6 قم بتشغيل الجهاز، بحيث تضغط على الزر الرئيسي تشغيل/إيقاف.

7 يضيء بيان الحالة باللون الأزرق.

لقد بدأت تشغيل آلة تمزيق الورق الخاصة بك.

أفحص محتوى العبوة

تحقق من محتويات العبوة المرسلة الخاصة بألة تمزيق الأوراق قبل استخدام آلة تمزيق الأوراق. إذا كان هناك شيء مفقود أو تالف، فلا نتم مطلقاً بتشغيل آلة تمزيق الورق. اتصل بالخدمة الخاصة بنا.

- ١ آلة تمزيق الورق ٢٤CC Pro Shredder أو ١٦MC Pro Shredder مع وعاء تجميع للقصاصات
- ١ دليل الاستخدام
- ١ كابل الشبكة
- ورقة، ورقة تزييت

آلة تمزيق الأوراق الخاصة بك بالتفصيل

يوضح الشكل التالي آلة تمزيق الورق بالتفصيل.



المقبض اليدوي	5	أزرار الاستخدام / بيان الحالة	1
نافذة الفحص / مقبض يدوي	6	السحب	2
وعاء التجميع	7	وحدة التقطيع	3
الإدارة	8	بيان الحالة من الأمام	4

احترس!

خطر التعثر بسبب كابل الطاقة الممدد بشكل غير صحيح. قم بتمديد كابل الطاقة بطريقة لا تتسبب في تعثر أي شخص به. تأكد من عدم تلف قابس الطاقة وكابل الطاقة.



هام!

قد تقع أضرار مادية. تجنب التأثيرات البيئية مثل الدخان والغبار والاهتزازات والمواد الكيميائية والرطوبة والحرارة وأشعة الشمس المباشرة. لا تستخدم آلة تمزيق الورق سوى في الغرف المغلقة.



يرجى ملاحظة الإرشادات التالية حتى تعمل آلة تمزيق الورق دائماً على النحو الذي تتوقعه.

الرجاء قراءة تعليمات التشغيل قبل بدء التشغيل.



لا تمد يدك أبداً بصورة مباشرة في مكان السحب.



ابق الشعر الطويل بعيداً عن آلة تمزيق الورق.



أبق الأطفال والحيوانات الأليفة بعيداً عن آلة تمزيق الورق.



ابق الملابس أو المجوهرات الفضفاضة أو أي أشياء أخرى فضفاضة بعيداً عن آلة تمزيق الورق.



لا ترش الغازات القابلة للاشتعال باتجاه آلة تمزيق الورق. لا تستخدم رذاذ الهواء المضغوط.



ابق ربطات العنق والأوشحة بعيداً عن آلة تمزيق الورق.



برجاء مراعاة العدد الأقصى للورق (انظر البيانات الفنية).



معلومات عامة عن الأخطار المحتملة التي تتطلب إيلاء اهتماماً خاصاً.



احترس!
خطر الإصابة من شفرات وحدة التقطيع ذات الحواف الحادة!



لا تُدخل بطاقات الائتمان إلا عمودياً.



تحذير!



هذا الجهاز غير مُخصص للاستخدام من قِبل الأطفال. تجنب ملامسة فتحة السحب ليديك أو لملايسك أو لشعرك. انزع قابس الشبكة إذا لم تستخدم الجهاز لفترة طويلة. توجد في هذا الجهاز أجزاء متحركة، ابقِ جسمك بعيداً عن الأجزاء المتحركة.

«يؤكد ختم «فحص السلامة» (علامة GS) على أن المنتج يفي بمتطلبات قانون سلامة المنتجات الألماني (ProdSG).



لا تستخدم المنتج إلا في الغرف الداخلية.



تشير علامة GS إلى أن سلامة وصحة المستخدم غير معرضة للخطر إذا تم استخدام المنتج على النحو المطابق للتعليمات وإذا لم يتم استخدامه بطريقة خاطئة. يدور الأمر حول علامة سلامة تضاف بشكل تطوعي وصادرة عن معهد اختبار مناسب.

الرجاء قراءة دليل الاستعمال بعناية، ومراعاة كافة الإرشادات الواردة به عند التعامل مع آلة تمزيق الورق الخاصة بك. احفظ دليل الاستعمال هذا للاستخدامات اللاحقة.



الاستخدام المطابق للتعليمات

آلة تمزيق الورق الخاصة بك مُخصصة لتمزيق الأوراق وبطاقات الائتمان ومشابك الأوراق والدبابيس. وجديرٌ بالذكر أن آلة تمزيق الأوراق مناسبة حصريًا للاستخدام الخاص وفي الغرف المغلقة.

ويعد أي استخدام آخر استخدامًا غير مطابق للتعليمات. لا يُسمح بإجراء تغييرات أو تعديلات غير مصرح بها، ومثل هذه السلوكيات ستؤدي إلى فقدان الضمان.

مراعاة تعليمات السلامة

برجاء قراءة ومراعاة التعليمات التحذيرية لحماية نفسك وحماية البيئة.

تحذير!

خطر الإصابة بسبب ميكانيكية السحب. يمكن أن تعلق الأشياء الفضفاضة في منطقة السحب ومن ثم تتسبب في وقوع إصابات. ابقِ أصابعك وشعرك والأوشحة وربطات العنق والمجوهرات وما إلى ذلك بعيدًا عن منطقة السحب.



تحذير!

خطر الإصابة بسبب الصدمة الكهربائية. قد يؤدي التعامل غير الصحيح مع آلة تمزيق الورق إلى وقوع صدمة كهربائية. لا يُسمح بإجراء تغييرات أو تعديلات غير مصرح بها على آلة تمزيق الورق. لا تقم بتشغيل آلة تمزيق الورق باستخدام كابل طاقة تالف. في حالة تلف آلة تمزيق الورق، أو إذا كانت لا تعمل بشكل صحيح، قم بإيقاف تشغيلها على الفور واسحب قابس الطاقة. لا تستخدم إلا كابل الشبكة المورد من الجهاز.



لا تُجرِ الإصلاحات إلا من قبل موظفين مؤهلين فحسب. قم بِنصَب آلة تمزيق الورق بالقرب من مقبس يسهل الوصول إليه بحيث يمكن فصل آلة تمزيق الورق بسرعة عن مصدر الطاقة في حالات الطوارئ. لا تلمس الآلة أبدًا بأيدي مبللة. تجنب أي تلامس مع المياه.

تحذير!

خطر الاختناق بسبب المكونات الصغيرة أو مواد التعبئة أو رقائق الحماية. يمكن للأطفال ابتلاع الأجزاء الصغيرة أو مواد التغليف أو رقائق الحماية. ابقِ الأطفال بعيدًا عن الآلة وعن العبوة.



تحذير!

يمكن استخدام هذه الآلة من قبل الأطفال بدءًا من سن الثامنة والأشخاص ذوي القدرات الجسدية أو الحسية أو العقلية المحدودة أو الذين يفتقرون إلى الخبرة و/أو المعرفة إذا كانوا تحت إشراف من شخص بالغ، أو عندما يتلقوا تعليمات حول كيفية استخدام الجهاز بأمان لضمان فهم الأخطار ذات الصلة. لا يُسمح للأطفال باللعب بالجهاز. لا يُسمح بإجراء أعمال التنظيف والصيانة الخاصة بالمستخدم من قبل الأطفال دون الإشراف عليهم.



יש לסלק את חומרי האריזה בהתאם לתקנות המקומיות.



האריזה עשויה מחומרים ידידותיים לסביבה שניתן לסלק דרך נקודות המיחזור המקומיות. עליך להתעדכן ברשויות המקומיות לגבי דרכי הסילוק הנכונות.



ניתן למחזר את חומרי האריזה. יש לסלק אותם בנפרד זה מזה כדי לייעל את הטיפול בפסולת. הסמליל Triman תקף רק בצרפת.



ניתן למחזר את חומרי האריזה. יש לסלק אותם בנפרד זה מזה כדי לייעל את הטיפול בפסולת. עליך להתעדכן ברשויות המקומיות לגבי דרכי הסילוק הנכונות. שים לב לסימון הבא של חומרי האריזה: (a) מספרים, (b) קיצורים וכן (c) חומר, בעלי המשמעות הבאה: 1-7: פלסטיק / 20-22: נייר וקרטון / 80-98: חומרי אריזה שונים, וכ



הנחיות אחסון

לאחר השימוש, יש לאחסן את המגרסה בצורה בטוחה. הקפד לקיים את ההנחיות הבאות:

אחסן את המגרסה

- רק באריזה המקורית
- במקום יבש ונקי
- רק לאחר קירורה

שאלות ושירות

לקוח יקר,

תודה רבה על הבחירה במוצר זה.

אם הוא פגום או אינו פועל כמצופה, פנה למשווק שממנו רכשת את המוצר.

הצהרת תאימות

סימן ה-CE על המכשיר מאשר את התאימות.

ניתן למצוא את הצהרת התאימות בכתובת www.hp.com/officeequipment.

סימון ה-UKCA על המכשיר מאשר את התאימות.

הצהרת התאימות נמצאת בכתובת www.hp.com/officeequipment



היצרן

GO Europe GmbH
Zum Kraftwerk 1
D-45527 Hattingen
Deutschland

Pro Shredder 24CC	Pro Shredder 16MC	דגם
א': 424	א': 424	מידות (מ"מ)
ר': 295	ר': 295	
ג': 645	ג': 645	
P-4	P-5	DIN 66399-2 לפי
4×35	2×15	גודל הפריטים לחיתוך (עובי × רוחב, מ"מ)
24/1	16/1	הספק חיתוך מרבי (דפים / כרטיסי אשראי)
220	220	רוחב פעולה (מ"מ)
240-220 וולט, ~50 הרץ, 3.0 אמפר, 680 ואט	240-220 וולט, ~50 הרץ, 3.0 אמפר, 680 ואט	אספקת חשמל
25	25	טמפרטורת סביבה מקס' °
30	30	נפח מכל החומרים הגרוסים (ל')
20	18.2	משקל (ק"ג)
55	55	רמת רעש (דציבל)
50 / 40	50 / 40	פעולה רציפה (דק') / משך קירור (דק')
1.6	1.6	מהירות פעולה (מ'/דק')
חיתוך חלקיקים	חתך מיקרו	סוג חיתוך

אנו מצהירים בזאת שמכשירים אלו לגריסת מסמכים עומד בדרישות של רמות הבטיחות P-4 וכן P-5 לפי התקן DIN 66399.

P-4: מומלץ להתקני אחסון הכוללים נתונים רגישים וחסיים במיוחד. שטח חלקיקי החומר ≥ 160 ממ"ר ועבור חלקיקים רגילים: רוחב פסים ≥ 6 מ"מ (לדוג' חלקיק 4×40 מ"מ).

P-5: מומלץ להתקני אחסון הכוללים נתונים סודיים. שטח חלקיקי החומר ≥ 30 ממ"ר ועבור חלקיקים רגילים: רוחב פסים ≥ 2 מ"מ (לדוג' חלקיק 2×15 מ"מ).

סילוק

המשמעות של הסמל ליד היא שבכפוף לתקנות החוק יש לסלק מכשירים חשמליים ואלקטרוניים ישנים בנפרד מהאשפה הביתית. יש להעביר את המכשיר לנקודת איסוף של הרשות האחראית המקומית.



שים לב לסימון של חומרי האריזה במסגרת הפרדת הפסולת. הם מסומנים על ידי הקיצורים (a) והמספרים (a) בעלי המשמעות הבאה: 1-7: פלסטיק / 20-22: נייר וקרטון / 80-98: חומרי אריזה שונים.



ריקון של מכל החומרים הגרוסים

מפלס המילוי של מכל החומרים הגרוסים מנוטר על ידי חיישן.

כאשר מפלס המילוי גבוה, נורית הסטטוס "מכל החומרים הגרוסים מלא" אדומה. מנגנון החיתוך של המגרסה נעצר, ויש לרוקן את מכל החומרים הגרוסים.



1 כבה את המכשיר בלחיצה על מפסק ההפעלה/כיבוי הראשי.

2 הוצא את מכל החומרים הגרוסים מהמכשיר במשיכה.

אם לא תכבה את המכשיר, נורית הסטטוס "מכל החומרים הגרוסים פתוח" תואר באדום.



3 רוקן את מכל החומרים הגרוסים.

4 דחף את מכל החומרים הגרוסים למכשיר.

← מכל החומרים הגרוסים יינעל למקומו בנקישה.

← סיימת את ריקון מכל החומרים הגרוסים

הסרת שאריות חומר

אם המגרסה מפסיקה לגרוס את החומר כמצופה, הסר את שאריות החומר הנותרות ממנגנון החיתוך.

1 לחץ על הלחצן REV והשאר אותו לחוץ. מנגנון החיתוך יפעל בתנועה לאחור, והחומר שנותר ישתחרר.

2 שחרר את הלחצן REV.

3 כבה את המכשיר בלחיצה על מפסק ההפעלה/כיבוי הראשי.

4 נתק את תקע החשמל משקע החשמל.

זהירות! סכנת פציעה עקב מנגנון חיתוך בעל שפה חדה! נקוט זהירות מיוחדת במסגרת הסרת שאריות החומר



5 הסר בזהירות את שאריות החומר הנותרות ממנגנון החיתוך, בעזרת חפץ חד מתאים.

← סיימת את ההסרה של שאריות החומר ממנגנון החיתוך.

ניקוי המגרסה

נקה את המגרסה במרווחי זמן קבועים.

זהירות! סכנת פציעה עקב להבה פתאומית! במקרה של שימוש בתרסיסי אוויר דחוס עלולות להיווצר להבות פתאומיות. אל תשתמש בשום אופן בתרסיסי אוויר דחוס.



1 כבה את המכשיר בלחיצה על מפסק ההפעלה/כיבוי הראשי.

2 נתק את תקע החשמל משקע החשמל.

3 נקה את משטחי המארז במטלית רכה ויבשה ללא מוך. אל תשתמש בתרסיסי אוויר דחוס, בחומרי ניקוי או בממסים.

ההנחיות הבאות יעזרו לך כאשר משהו אינו פועל כמצופה.

הגנת חימום-יתר

המגרסה תכבה באופן אוטומטי במקרה של חימום-יתר. נורית הסטטוס תידלק באדום.

המתן למשך פרק-הזמן המצוין במפרט הטכני, עד לקירור המגרסה.

← בתום שלב הקירור, נורית הסטטוס תואר בכחול.

← בסיום שלב הקירור, נורית הסטטוס תואר בכחול והגריסה תמשיך.

שים לב למרחק המינימלי מהקיר ולנתוני ההפעלה הרציפה במפרט הטכני.



הגנת טעינת-יתר

אם תזין יותר חומר מהמצוין במפרט הטכני, נורית הסטטוס תהבהב באדום והפעולה לאחור תופעל במגרסה באופן אוטומטי למשך 5 שניות.

1 משוך את החומר החוצה מהמגרסה.

← טיפלת בחסימה.

אחרי הסרת החומר מהמגרסה, מנגנון החיתוך ימשיך לפעול למשך 3 שניות לצורך ניקוי עצמי. המתן עד שהמגרסה תפסיק שוב לפעול, ונורית הסטטוס תואר בכחול.



שימון מנגנון החיתוך

שמן את מנגנון החיתוך של המגרסה במרווחי זמן קבועים, כדי להגדיל את אורך החיים של המגרסה.

ניתן להשיג שמנים דפי שימון ייעודיים למגרסות של HP.

חשוב!

נזק לרכוש עקב שימוש בשמנים לא נכונים! אל תשתמש בתרסיסי שמן. השתמש רק בשמן מיוחד למגרסות.

קיימות דרכים שונות לשימוש במנגנון החיתוך.

שימון בעזרת דף ששימנת בעצמך:

1 מרח על דף נייר מספר קווים רוחביים של שמן מיוחד למגרסות.

2 הזן למנגנון המשיכה את דף הנייר ששימנת.

← דף השימון יימשך וישמן את מנגנון החיתוך.

שימון באמצעות דפי שימון

1 הזן למנגנון המשיכה את דף השימון.

← דף השימון יימשך וישמן את מנגנון החיתוך.

שימוש במגרסה

המגרסה מבצעת גריסה אוטומטית. הפעלת המגרסה מתבצעת בעזרת לחצני ההפעלה באזור העליון של המכשיר. המגרסה מצוידת בחזית בנורית סטטוס נוספת. נורית סטטוס זו נותנת חיזוי ללחצנים הקיימים בצד העליון ולנוריות הלה.

גריסת חומר אוטומטית

שים לב להספק החיתוך המרבי המותר, ולנתונים הנוספים הנקובים במפרט הטכני.

אזהרה!



מכשיר זה אינו מיועד לשימוש על ידי ילדים. יש למנוע מגע בין ידיים, בגדים או שערות לבין פתח ההזנה. נתק את התקע מהחשמל במקרה של אי-שימוש במכשיר לפרק-זמן ארוך. במכשיר זה קיימים חלקים נעים מסוכנים: יש להרחיק איברים מחלקים נעים.

חשוב!

נזק לרכוש עקב חסימה בחומר גרוס! שים לב להספק החיתוך המרבי של מנגנון המשיכה.

1 הכנס את החומר המיועד לגריסה אל מרכז מנגנון המשיכה.

← מנגנון המשיכה ימשוך פנימה את החומר וייעצר כאשר הזנת החומר תיפסק.

גריסת חומר ידנית

במקרים נדירים, החיישנים אינם מזהים את החומר המוחזק.

1 לחץ על הלחצן FWD והשאר אותו לחוץ.

← החומר יימשך וייגרס באופן ידני.

2 שחרר את הלחצן FWD.

כיבוי המגרסה

כבה את המגרסה כאשר אין יותר צורך בשימוש בה.

1 כבה את המכשיר בלחיצה על מפסק ההפעלה/כיבוי הראשי.

← כיבית את המגרסה.

2 נתק את תקע החשמל משקע החשמל כאשר אינך מתכנן להשתמש במגרסה לפרק-זמן ארוך.

מצב שינה

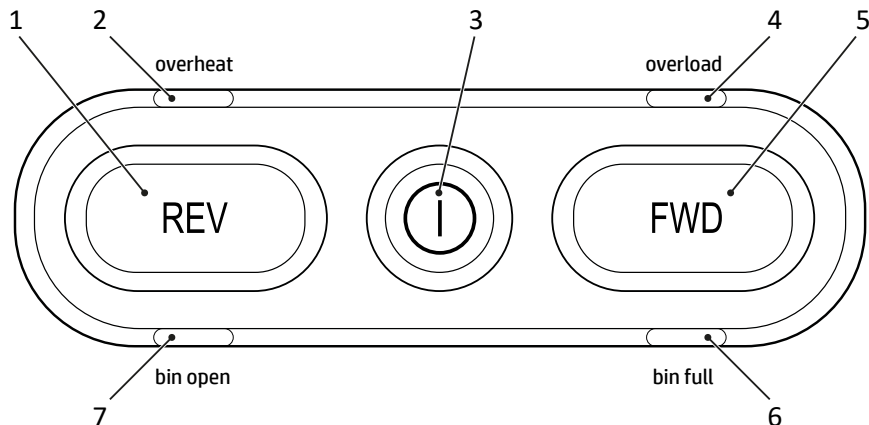
אם לא תשתמש במגרסה במשך 30 דקות, היא תעבור למצב השינה. נורית הסטטוס בחזית המגרסה תכבה. נורית הסטטוס במשטח העליון של המגרסה תעומעם.

כדי לכבות את מצב השינה, בצע את השלבים הבאים:

1 הכנס את החומר המיועד לגריסה אל מרכז מנגנון המשיכה.

← המגרסה מוכנה שוב לשימוש.

לחלופין, לחץ במגרסה על הלחצנים FWD או REV כדי לכבות את מצב השינה.



לחצן פעולה קדימה	5	לחצן פעולה לאחור	1
נורית סטטוס למצב מלא של מכל החומרים הגרוסים	6	נורית סטטוס לחימום-יתר	2
נורית סטטוס למצב פתוח של מכל החומרים הגרוסים	7	מפסק הפעלה/כיבוי ראשי	3
		נורית סטטוס לעומס-יתר	4

הצבת המגרסה והתחלת שימוש

המגרסה פועלת רק יחד עם מכל החומרים הגרוסים. אל תציב את המגרסה בקרבת מקורות חום, ושמור על מרחק של 10 ס"מ לפחות מהקיר. כך יושג קירור מספיק של המגרסה.

1 הצב את המגרסה בצורה יציבה על משטח אופקי ומפולס, ליד שקע חשמל שניתן לגשת אליו בקלות.

2 דחף את מכל החומרים הגרוסים למכשיר. מכל החומרים הגרוסים יינעל למקומו בנקישה. כאשר מכל החומרים הגרוסים אינו ממוקם כנדרש במכשיר, אין אפשרות להפעיל את המגרסה.

i השתמש רק בכבל החשמל הכלול במשלוח.

3 חבר למכשיר את כבל החשמל.

4 חבר את תקע החשמל לשקע החשמל.

5 הפעל את המכשיר בלחיצה על מפסק ההפעלה/כיבוי הראשי.

← נורית הסטטוס מוארת בכחול.

← הכנסת את המגרסה לפעולה.

בדיקת תכולת האריזה

בדוק את תכולת האריזה של המגרסה לפני התחלת השימוש בה.

במקרה של חוסר או נזק, אסור בשום אופן להתחיל להשתמש במגרסה. פנה לשירות שלנו.

- 1 המגרסה Pro Shredder 24CC או Pro Shredder 16MC, כולל מכל חומרים גרוסים
- 1 הוראות הפעלה
- כבל חשמל
- דף שימון

פירוט חלקי המגרסה

באיור הבא מוצג פירוט של חלקי המגרסה.



1	לחצני הפעלה / נורית סטטוס	5	ידית
2	מנגנון משיכה	6	חלונית/ידית
3	מנגנון חיתוך	7	מכל חומרים גרוסים
4	נורית סטטוס קדמית	8	גלגלים

זהירות!

סכנת מעידה במקרה של ניתוב בלתי-הולם של כבל החשמל. העבר את כבל החשמל באופן שימנע את הסיכון למעידה עליו. מנע את האפשרות לפגיעה בתקע החשמל ובכבל החשמל.



חשוב!

סיכוי לנזק לרכוש. מנע השפעות סביבתיות כגון עשן, אבק, רעידות, חומרים כימיים, לחות, חום או אור שמש ישיר.



השתמש במגרסה רק בחללים סגורים.

הקפד לקיים את ההנחיות הבאות, כדי שהמגרסה תפעל תמיד כמצופה.

קרא עד הסוף את הוראות ההפעלה לפני התחלת השימוש.



אסור בשום אופן להכניס יד ישירות לתוך מנגנון המשיכה.



אל תקרב את השיער למגרסה.



אל תאפשר לילדים וחיות מחמד להתקרב למגרסה.



הרחק מהמגרסה חלקי ביגוד משוחררים, תכשיטים או עצמים חופשיים אחרים.



אל תרסס גזים בעירים בכיוון המגרסה. אל תשתמש בשום אופן בתרסיסי אוויר דחוס.



הרחק מהמגרסה עניבות וצעפים.



שים לב למספר הדפים המרבי (ראה הנתונים הטכניים).



הנחיה כללית לגבי סכנות אפשריות המצריכות תשומת לב מיוחדת.



זהירות!

סכנת פציעה עקב מנגנון חיתוך בעל שפה חדה!



אזהרה!

מכשיר זה אינו מיועד לשימוש על ידי ילדים. יש למנוע מגע בין ידיים, בגדים או שערות לבין פתח ההזנה. נתק את התקע מהחשמל במקרה של אי-שימוש במכשיר לפרק-זמן ארוך. במכשיר זה קיימים חלקים נעים מסוכנים: יש להרחיק איברים מחלקים נעים.



הכנס כרטיסי אשראי רק במאונך.



החותם «בטיחות מוכחת» (סימן GS) מאשר את העמידה של המוצר בדרישות של חוק בטיחות המוצרים בגרמניה (ProdSG).



יש להשתמש במוצר רק בחללים סגורים.



סימן ה-GS מציין ששימוש בהתאם לייעוד ושימוש שגוי שניתן לחזות מראש במוצר המסומן אינם יוצרים סיכון לבטיחות והבריאות של המשתמש. זהו סימן בטיחות שנוסף על אף שהדבר אינו נדרש על פי חוק והופק על ידי מוסד בדיקה מתאים.

קרא את הוראות ההפעלה

קרא את הוראות ההפעלה בעיון עד הסוף, ושים לב להנחיות במגרת השימוש במגרסה. שמור את הוראות ההפעלה למקרה שתצטרך להשתמש בהן בעתיד.



שימוש בהתאם לייעוד

המגרסה מתאימה לגריסה של נייר, כרטיסי אשראי, אטבים משרדיים וסיכות מהדק. המגרסה מתאימה רק לשימוש פרטי בחללים סגורים.

כל שימוש אחר נחשב כשימוש המנוגד לייעוד. אסור לבצע שינויים או הסבות ללא אישור, והם יוביל לאובדן האחריות.

יש להישמע להנחיות הבטיחות

קרא את האזהרות והישמע להן כדי להגן על עצמך ועל הסביבה.

אזהרה!

סכנת פציעה עקב מנגנון משיכת הנייר. עצמים חופשיים עשויים להילכד במנגנון המשיכה ולגרום לפציעות. הרחק מנגנון המשיכה אצבעות, שיער, צעיפים, עניבות, תכשיטים וכו'.



אזהרה!

סכנת פציעה עקב התחשמלות. שימוש לקוי במגרסה עלול לגרום להתחשמלות. אסור לבצע במגרסה שינויים או הסבות ללא אישור. אל תשתמש בכבל ניזוק לצורך הפעלת המגרסה. כבה מיד את המגרסה במקרה של נזקים או תפקוד לקוי, ונתק את תקע החשמל. השתמש רק בכבל החשמל הכלול במשלוח.



הקפד על ביצוע תיקונים רק בידי אנשי מקצוע מוסמכים. הצב את המגרסה ליד שקע חשמל שניתן לגשת אליו בקלות, כדי לאפשר את ניתוק המגרסה מרשת החשמל במקרה חירום. אסור בשום אופן לגעת במכשיר בידיים רטובות. יש להימנע מכל מגע עם מים.

אזהרה!

סכנת חנק כתוצאה מחלקים קטנים, חומרי אריזה או רדידי הגנה. ילדים עלולים לבלוע חלקים קטנים, חומרי אריזה או רדידי הגנה. יש למנוע מילדים מלהתקרב למכשיר ולאריזה שלו.



אזהרה!

לילדים בני שמונה ומעלה, לאנשים בעלי יכולות פיזיות, חושיות או מנטליות מוגבלות ולאנשים חסרי ניסיון ו/או ידע מותר להשתמש במכשיר אם הם נמצאים תחת השגחה או לאחר שהם הודרכו לגבי השימוש הבטוח במכשיר והבינו את הסכנות הכרוכות בו. אסור לילדים לשחק עם המכשיר. לילדים אסור לנקות את המכשיר או לבצע את החזוקת המשתמש שלו ללא השגחה.



All your office needs under one brand



**HP is a trademark of HP Inc. or its affiliates, used
by GO Europe GmbH under license from HP Inc.**

GO Europe GmbH

Zum Kraftwerk 1, 45527 Hattingen (Germany)

www.hp.com/officeequipment

**UK Authorised Representative
(for authorities only)**

ProductIP (UK) Ltd.

8, Northumberland Av.

London WC2N 5BY

The company reserves the right to change the content of this manual, and subsequent changes to the product without prior notice. We are not responsible for any direct, indirect, intentional or unintentional damage and hidden dangers caused by installation, misuse or use beyond the specifications provided by the manufacturer. Before placing your order, please check with the dealer to see if the product performance meets your needs. HP is a registered trademark of HP Inc. The ownership of other trademarks involved in this manual is owned by the corresponding product manufacturer.
©2020 All rights reserved. Unauthorized reproduction is not allowed in any way.