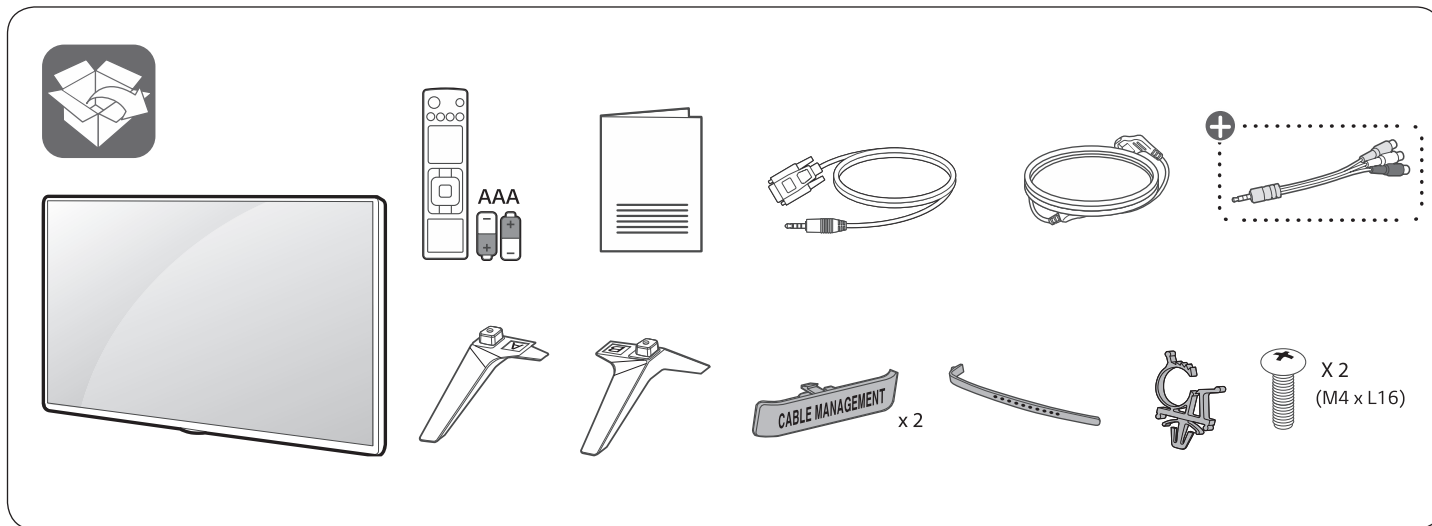


Quick Start Guide



Images shown in manual may vary depending on model

+ : Depending on model

Unpacking

Check your product box for the following items. If there are any missing accessories, contact the local dealer where you purchased your product. The illustrations in this manual may differ from the actual product and item.



www.lg.com

MFL71833903



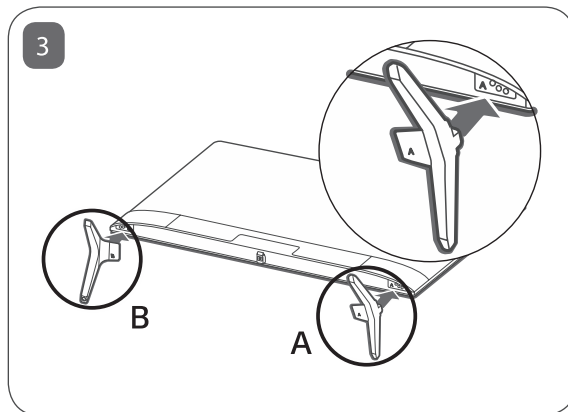
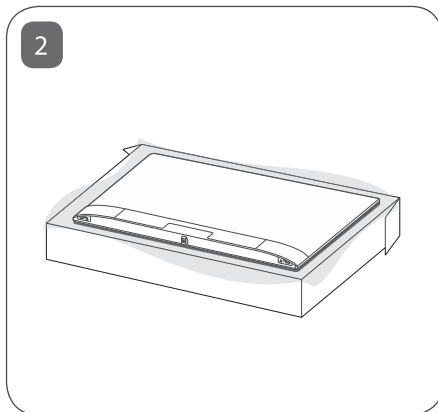
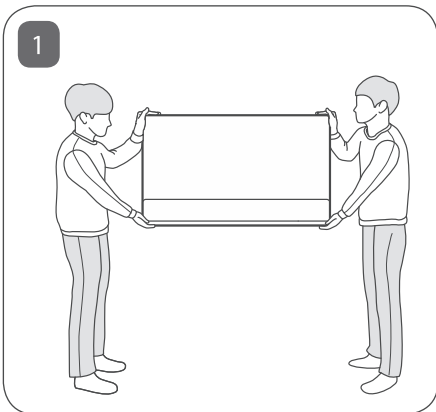
(2108-REV00)



- Read **Safety and Reference**.
- For the power supply and power consumption, refer to the label attached to the product.

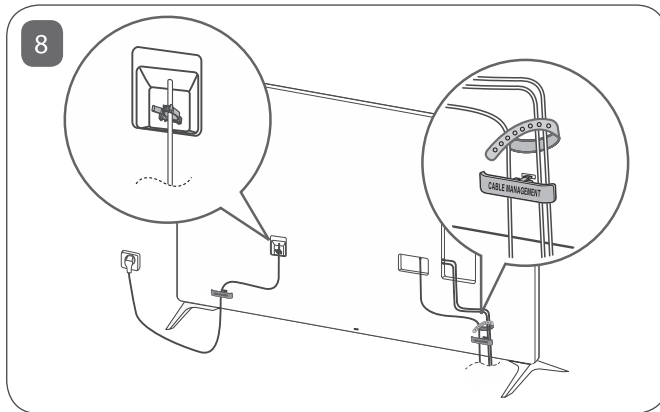
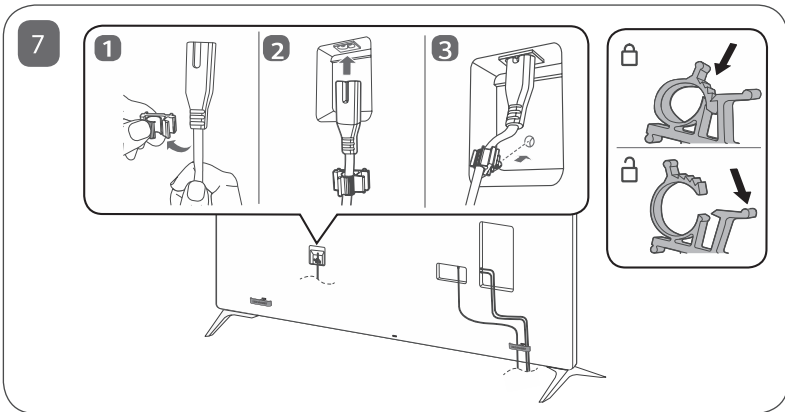
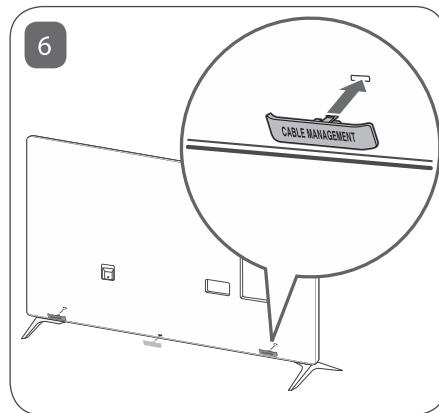
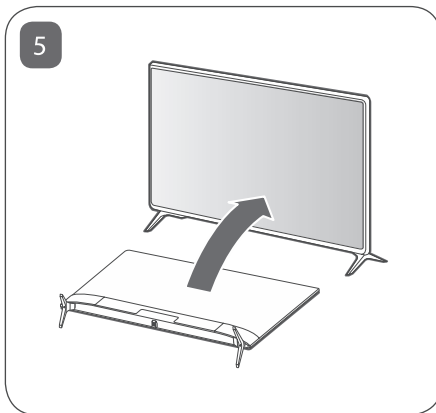
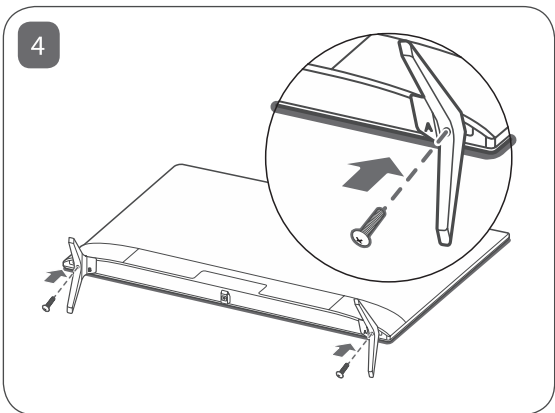


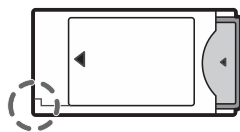
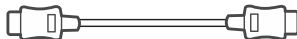
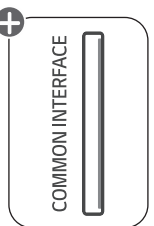
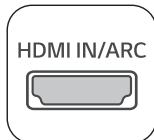
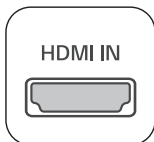
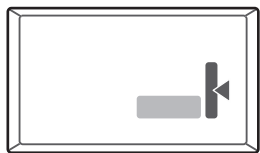
CAUTION
Image shown may differ from your TV
When attaching the stand to the TV set, place the screen facing down on a cushioned table or flat surface to protect the screen from scratches.





CAUTION
Image shown may differ from your TV
When attaching the stand to the TV set, place the screen facing down on a cushioned table or flat surface to protect the screen from scratches.



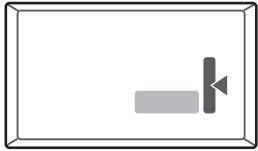


ARC (Audio Return Channel)
 An external audio device that supports SIMPLINK and ARC must be connected using HDMI IN /ARC port

When connected with a high-speed HDMI cable, the external audio device that supports ARC outputs SPDIF audio without additional audio cable and supports the SIMPLINK function

NOTE
 Image shown may vary depending on model. All connection cables & devices shown in the picture are not included along with the product.

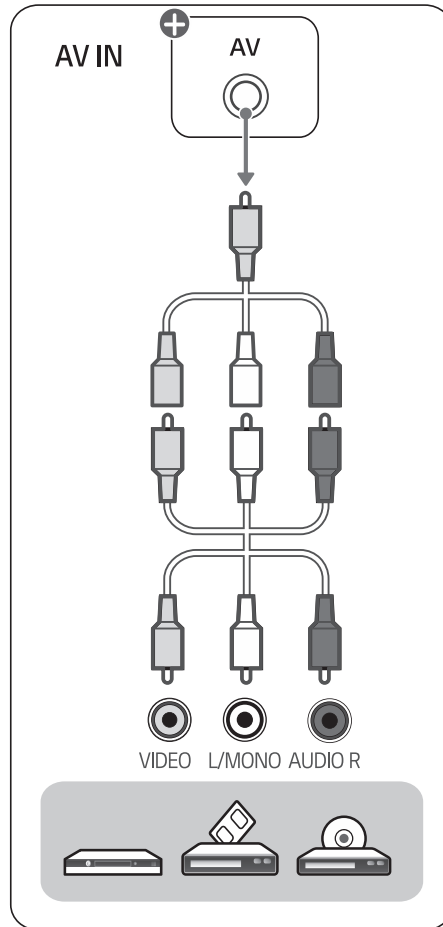
+ : Depending on model

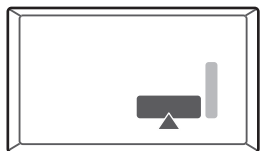


NOTE

Image shown may vary depending on model. All connection cables & devices shown in the picture are not included along with the product.

+: Depending on model





NOTE


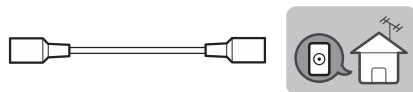
- Some USB Hubs may not work, if a USB device connected using a USB Hub is not detected, connect it to the USB port on the TV directly
- Connect the external power source if your USB is needed.

NOTE

- Do not look into the optical output ports, looking at the laser beam may damage your vision
- Audio with ACP (Audio Copy Protection) function may block digital audio output.

+ : Depending on model

ANTENNA /
CABLE IN

+


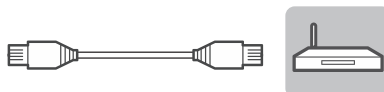
Satellite IN



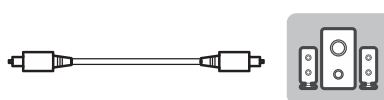

USB IN




LAN

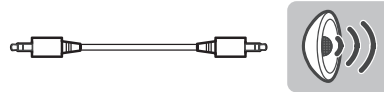



OPTICAL
DIGITAL
AUDIO OUT

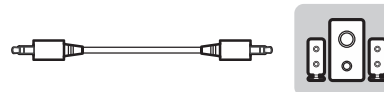
+

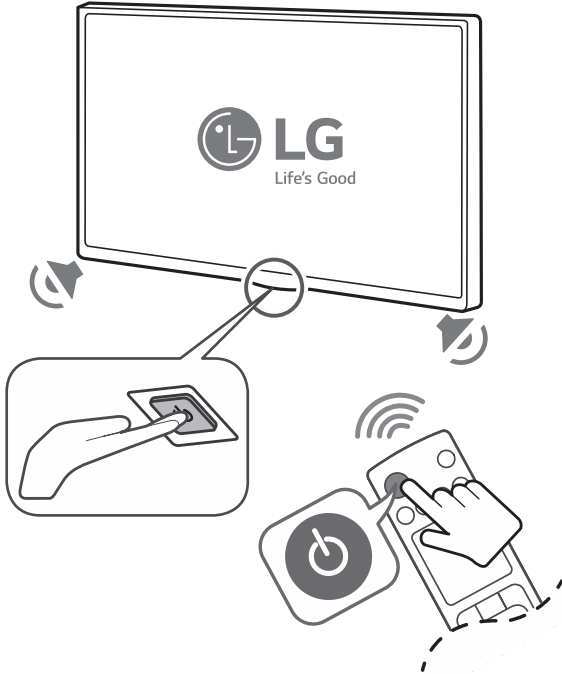
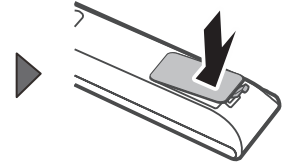
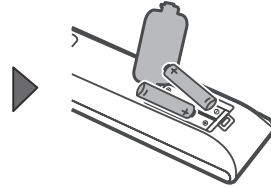
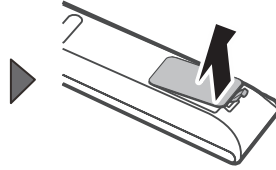
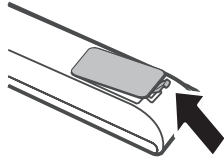
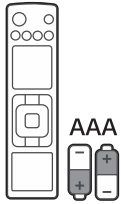
EXTERNAL
SPEAKER OUT

+

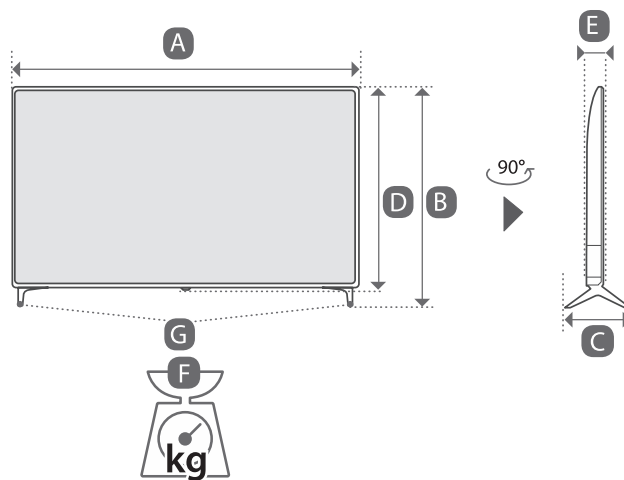
AUDIO
LINE OUT



NOTE

Image shown may vary depending on model.
All connection cables & devices shown in the picture are not included along with the product.



	A	B	C	D	E	F	F - G
	(mm)					(kg)	
43UR640S0TD 43UR640S0GD 43UR640S9GD 43UR640S9TD	967	622	216	564	57.1	8.9	8.8
Power requirement					AC 100-240 V ~ 50 / 60 Hz		