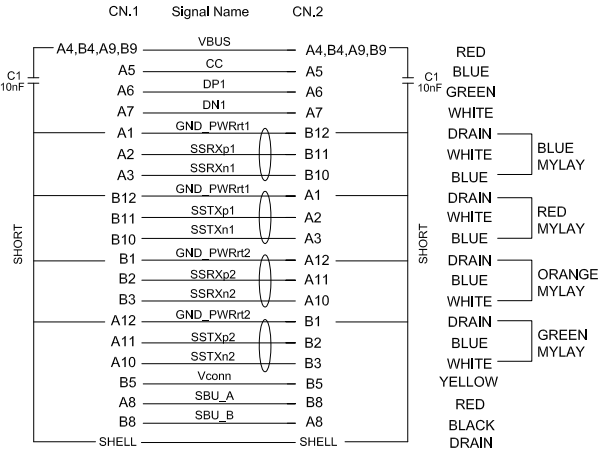


Part NO.	Length(L)
USB31CCTLKV50CM	500 ⁺⁰ ₋₃₀
USB31CCTLKV1M	1000 ⁺⁰ ₋₅₀

(A).Wire Pin Assignment and Wire Description.



Screws: M2 L=30.5mm Ni-Plated ,MOLDING PVC BLACK	8
MOLDING:TPE YELLOW(Pantone 123C)	7
MOLDING:TPE BLACK	6
Painted Space Gray PC(PT 10394C) w/ PRINTING "StarTech.com" (PT WHITE C) & "SS" (PT 123C)	5
Painted Space Gray PC(PT 10394C) w/ PRINTING "StarTech.com" (PT WHITE C) & "SS" (PT 123C)	4
USB 3.1 C TYPE PLUG,TERMINAL Au-PLATED SHELL Ni-PLATED	3
USB 3.1 C TYPE PLUG W/E-mark,TERMINAL Au-PLATED SHELL Ni-PLATED	2
USB 3.1 CABLE [(32AWGx1P+EAM)x4P+30AWGx1P+21AWGx1C+32AWGx4C]+2EAB OD:4.8mm Braid:85% BLACK TPE	1
Q'TY U/M MATERIALS LIST & SPEC. DESCRIPTION	ITEM

THIRD ANGLE PROJECTION

GENERAL NOTES
DIMENSIONS ARE IN MM - DO NOT SCALE

THIS DOCUMENT CONTAINS CONFIDENTIAL, PROPRIETARY INFORMATION THAT IS PROPERTY OF STARTECH.COM

PRODUCT ID	USB31CCTLKVxM
DESCRIPTION	USB C to C with Top Screw - Locking Type
DO NOT SCALE	SHEET: 1 OF: 1
	UPLOAD DATE: 1/28/2021