

ThinkCentre M90q

Setup Guide

Guide de configuration

Einrichtungsanleitung

Guida di configurazione

Installatiegids

Manual de Configuração

Lenovo

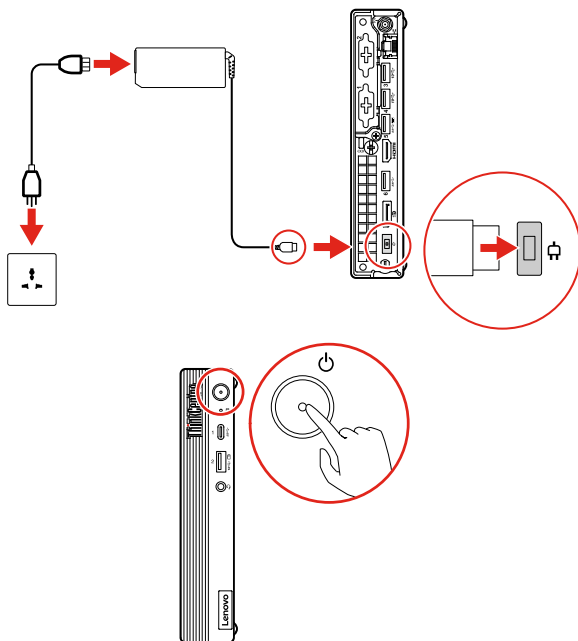
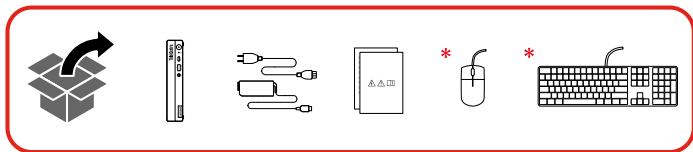
For Barcode Position Only

Printed in China

PN: SPXXXXXXX

Initial Setup

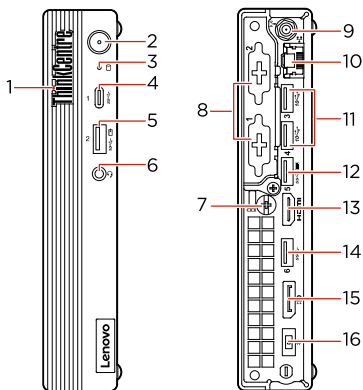
Configuration initiale | Erstkonfiguration | Configurazione iniziale |
Eerste installatie | Configuração inicial



* For selected models | For visse modeller | Tietyissä malleissa | Utvalgte modeller | Vissa modeller

Overview

Présentation | Überblick | Panoramica | Overzicht | Descrição geral



1. ThinkCentre LED
2. Power button
3. Storage drive activity indicator
4. USB-C™ (3.2 Gen 1) connector
5. Always on USB 3.2 connector Gen 2
6. Headset connector
7. Security-lock slot
- * 8. Optional connectors
- * 9. Wi-Fi® antenna slot
10. Ethernet connector
11. USB 3.2 connectors Gen 2
12. USB 3.2 connector Gen 1 (with smart power-on)
13. HDMI™ 1.4 out connector
14. USB 3.2 connector Gen 1
15. DisplayPort® 1.4 out connector
16. Power cord connector

i Read the statement on USB transfer rate in the *User Guide*. Refer to the *Safety and Warranty Guide* for accessing the *User Guide*.

Customer Replaceable Units (CRUs)

XXXXXXXXXXXX | XXXXXXXXXXXX | XXXXXXXXXXXX | XXXXXXXXXXXX |
XXXXXXXXXXXX

- Power adapter
- Power cord
- * • Keyboard
- * • Mouse
- * • Vertical stand
- * • VESA mount bracket
- * • External optical drive
- * • External optical drive box
- * • Power adapter bracket
- * • Dust shield
- * • Rear Wi-Fi antenna
- Computer cover
- Internal speaker
- Bottom cover
- Memory module
- * • M.2 solid-state drive
- * • Hard disk drive
- * • Hard disk drive bracket
- System fan
- Coin-cell battery
- * • Wi-Fi card
- * • Wi-Fi card shield

Refer to the *User Guide* for CRU definition.

Additional information

Informations complémentaires | Zusätzliche Informationen | Informazioni aggiuntive | Aanvullende informatie | Informações adicionais

European Union – compliance with the Radio Equipment Directive

Hereby, Lenovo (Singapore) Pte. Ltd., declares that the radio equipment type ThinkCentre M90q is in compliance with Directive 2014/53/EU.

The full text of the system EU declaration of conformity is available at the following Internet address:

<https://www.lenovo.com/us/en/compliance/eu-doc>

This radio equipment operates with the following frequency bands and maximum radio-frequency power:

Technology	Frequency band [MHz]	Maximum transmit power
WLAN 802.11b/g/n/ax	2400 - 2483.5	< 20 dBm
WLAN 802.11a/n/ac/ax	5150 - 5725	< 23 dBm
WLAN 802.11a/n/ac/ax	5725 - 5875	< 13.98 dBm
Bluetooth BR/EDR/LE	2400 - 2483.5	< 20 dBm

Usage of all the radio devices is limited to indoor in the band 5150 MHz to 5350 MHz (channels 36, 40, 44, 48, 52, 56, 60, 64).

E-manual

Manuel en ligne | E-Handbuch | Manuale elettronico | E-handleiding
| Manual electrónico



First Edition (June 2020)

© Copyright Lenovo 2020.

LIMITED AND RESTRICTED RIGHTS NOTICE: If data or software is delivered pursuant to a General Services Administration "GSA" contract, use, reproduction, or disclosure is subject to restrictions set forth in Contract No. GS-35F-05925.

Reduce | Reuse | Recycle

