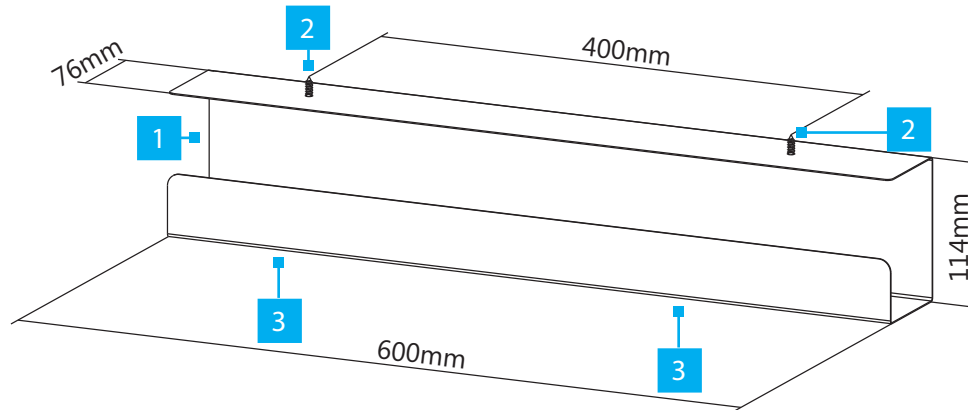


Under Desk Cable Tray Organizer

Product Diagram (UDCMTRAY)



| | Components | Function |
|---|-----------------------------|---|
| 1 | Cable Tray Organizer | <ul style="list-style-type: none"> Organize and hide Cables Hide a Power Strip |
| 2 | Mounting Holes/ Screws | <ul style="list-style-type: none"> Mount the Cable Tray Organizer underneath a Desk #12 Phillips® Head Screws |
| 3 | Screwdriver Access Holes | <ul style="list-style-type: none"> Cutouts that allow a Phillips Head Screwdriver or a Phillips Head Drill Bit to pass through the bottom of the Cable Tray Organizer <p>Note: A long Phillips Head Screwdriver or a Drill Bit Extension may be required to fasten the Mounting Screws.</p> |

Package Contents

- Cable Management Tray x 1
- Mounting Screw x 2
- Quick-Start Guide x 1

Requirements

For the latest requirements, please visit www.startech.com/UDCMTRAY.

- #3 Phillips Head Screwdriver or a Power Drill with a Phillips Head Bit x 1
- Power Drill with a Drill Bit x 1
- Pencil x 1
- (Optional) Drill Bit Extension x 1

Installation

Note: It is easier to complete the following installation steps with two people.

1. Hold the **Cable Tray Organizer** in the desired location under the **Desk**, with the **Mounting Holes** resting against the underside of the **Desk**.
2. Mark the location of the **Mounting Holes** using a **Pencil**.
3. Use a **Power Drill** with an appropriately sized **Drill Bit** to drill **Pilot Holes** into the locations of the **Mounting Holes**.

Notes: The **Pilot Holes** should be the same depth as the length of the **Mounting Screws**. A small piece of tape can be placed on the **Drill Bit** to mark the proper depth of the **Pilot Holes**.

The **Drill Bit** size will be determined by the wood used to construct the **Desk**. Consult a professional if you are unable to determine the proper **Drill Bit** size.

4. Insert the **Mounting Screws** through the **Mounting Holes** and into the **Desk**. (Figure 1)
5. Fasten the **Screws** into the **Desk** using a **Phillips Head Screwdriver** or a **Power Drill** with a **Phillips Head Bit**.

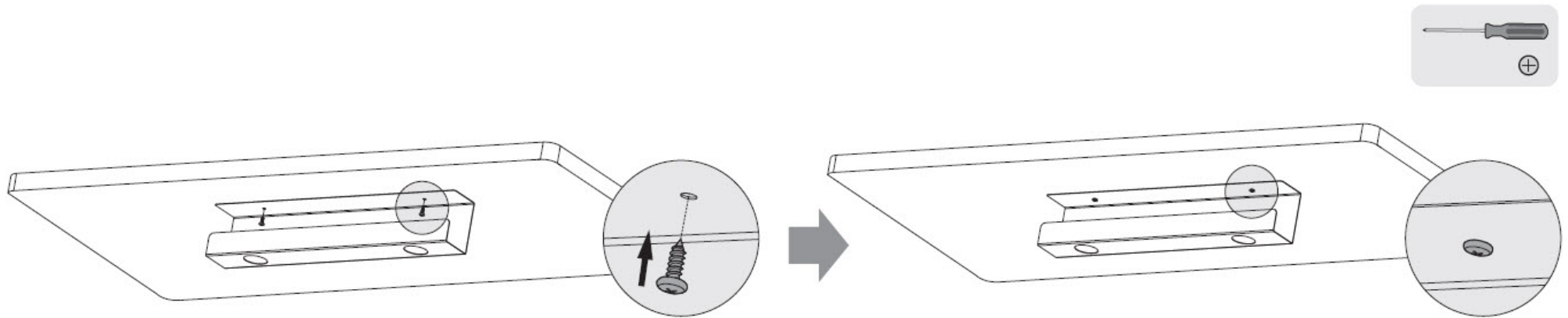


Figure 1

Use of Trademarks, Registered Trademarks, and other Protected Names and Symbols

This manual may make reference to trademarks, registered trademarks, and other protected names and/or symbols of third-party companies not related in any way to StarTech.com. Where they occur these references are for illustrative purposes only and do not represent an endorsement of a product or service by StarTech.com, or an endorsement of the product(s) to which this manual applies by the third-party company in question. StarTech.com hereby acknowledges that all trademarks, registered trademarks, service marks, and other protected names and/or symbols contained in this manual and related documents are the property of their respective holders.

PHILLIPS® is a registered trademark of Phillips Screw Company in the United States or other countries.

Warranty Information

This product is backed by a two-year warranty.

For further information on product warranty terms and conditions, please refer to www.startech.com/warranty.

Limitation of Liability

In no event shall the liability of StarTech.com Ltd. and StarTech.com USA LLP (or their officers, directors, employees or agents) for any damages (whether direct or indirect, special, punitive, incidental, consequential, or otherwise), loss of profits, loss of business, or any pecuniary loss, arising out of or related to the use of the product exceed the actual price paid for the product. Some states do not allow the exclusion or limitation of incidental or consequential damages. If such laws apply, the limitations or exclusions contained in this statement may not apply to you.

Safety Measures

- If product has an exposed circuit board, do not touch the product under power.

Mesures de sécurité

- Si l'un des circuits imprimés du produit est visible, ne pas touchez le produit lorsqu'il est sous tension.

安全対策

製品に露出した状態の回路基盤が含まれる場合、電源が入っている状態で製品に触らないでください。

Misure di sicurezza

- Se il prodotto ha un circuito stampato visibile, non toccare il prodotto quando è acceso.

Säkerhetsåtgärder

- Rör aldrig vid enheter med oskyddade kretskort när strömmen är påslagen.

StarTech.com Ltd.
45 Artisans Crescent
London, Ontario
N5V 5E9
Canada

StarTech.com LLP
4490 South Hamilton
Road
Groveport, Ohio
43125
U.S.A.

StarTech.com Ltd.
Unit B, Pinnacle 15
Gowerton Road
Brackmills,
Northampton
NN4 7BW
United Kingdom

StarTech.com Ltd.
Siriusdreef 17-27
2132 WT Hoofddorp
The Netherlands

FR: startech.com/fr
DE: startech.com/de
ES: startech.com/es
NL: startech.com/nl
IT: startech.com/it
JP: startech.com/jp