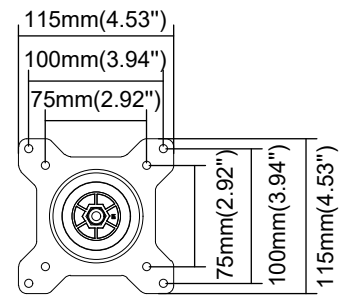
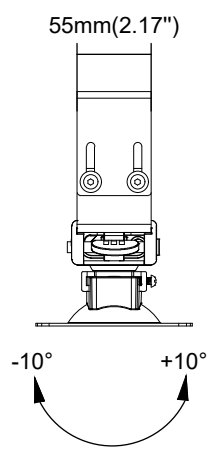
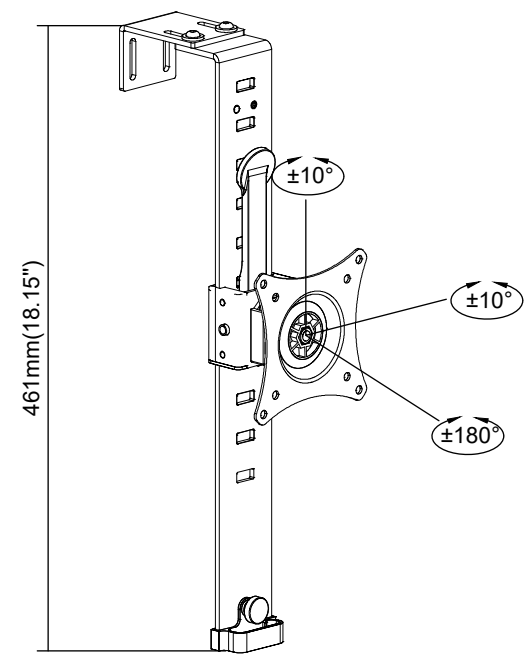
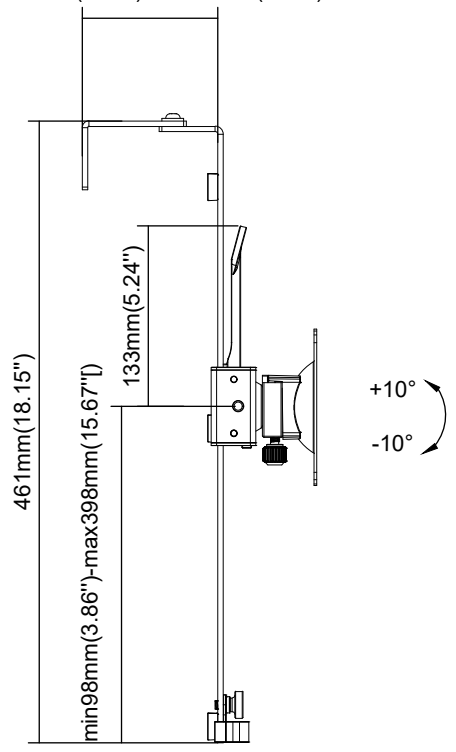
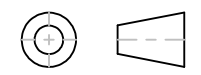


min37mm(1.46")-max89mm(3.50")



THIRD ANGLE PROJECTION



GENERAL NOTES

DIMENSIONS ARE IN MM - DO NOT SCALE

THIS DOCUMENT CONTAINS CONFIDENTIAL, PROPRIETARY INFORMATION THAT IS PROPERTY OF STARTECH.COM



PRODUCT ID	ARMCBCLB		
DESCRIPTION	Cubicle Wall Single Monitor Hanger - Up to 34" VESA Mount Display		
DO NOT SCALE	SHEET: 1 OF: 1	UPLOAD DATE: 3/31/2021	