

Teknik

www.teknikoffice.co.uk

Congratulations. You
are now an adult.

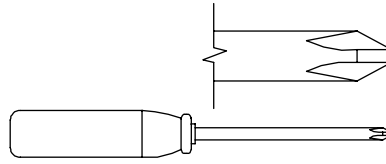
Hampstead Park Lateral Filer

Model 5426510

Table of Contents

Assembly Tools Required

Part Identification	3
Hardware Identification	4
Assembly Steps	5-24
Français	25-28
Español	29-32
Safety	33-34
Warranty	35

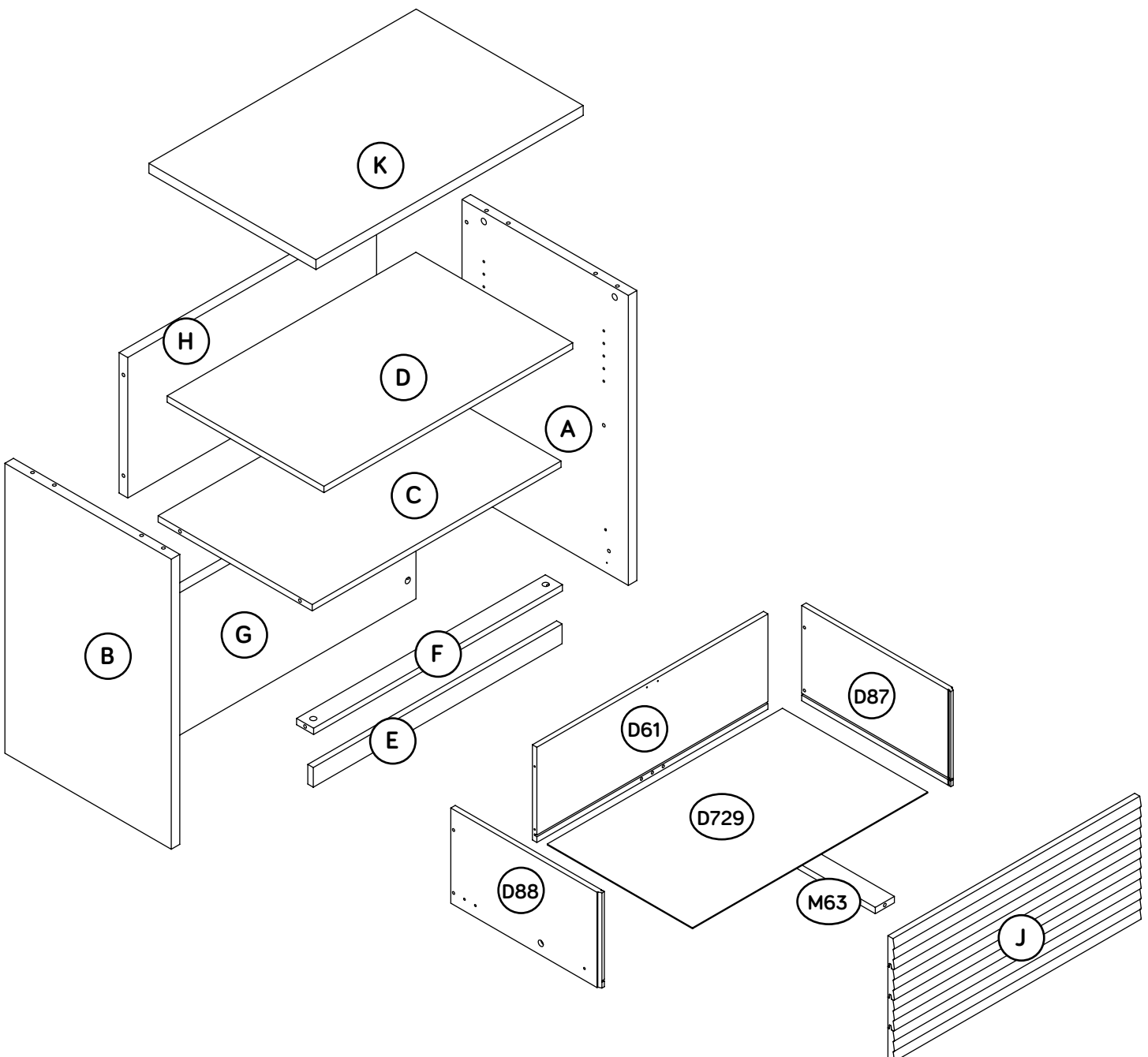


No. 2 Phillips Screwdriver
Tip Shown Actual Size



⚠ While not all parts are labeled, some of the parts will have a label or an inked letter on the edge to help distinguish similar parts from each other. Use this part identification to help identify similar parts.

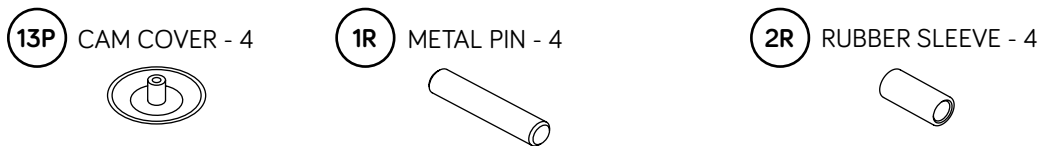
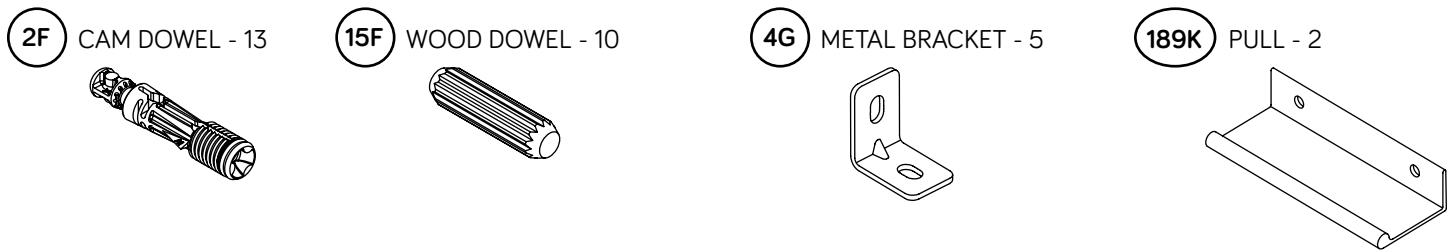
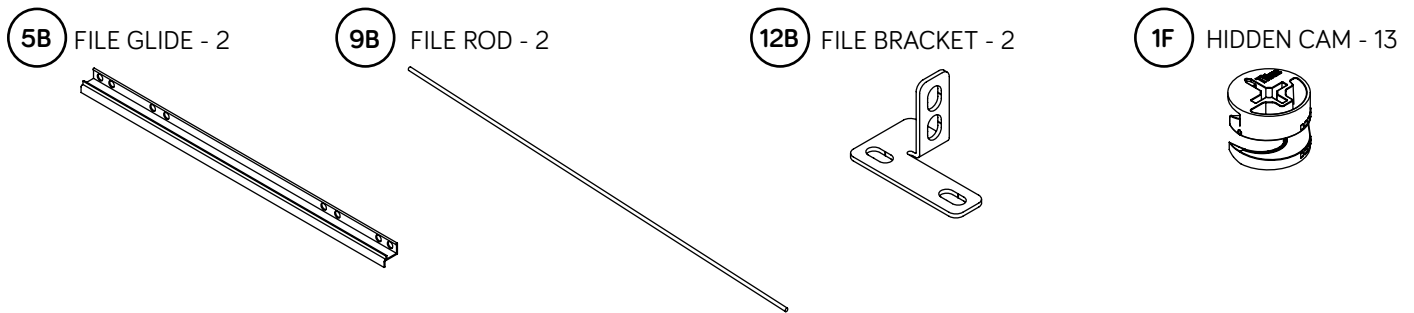
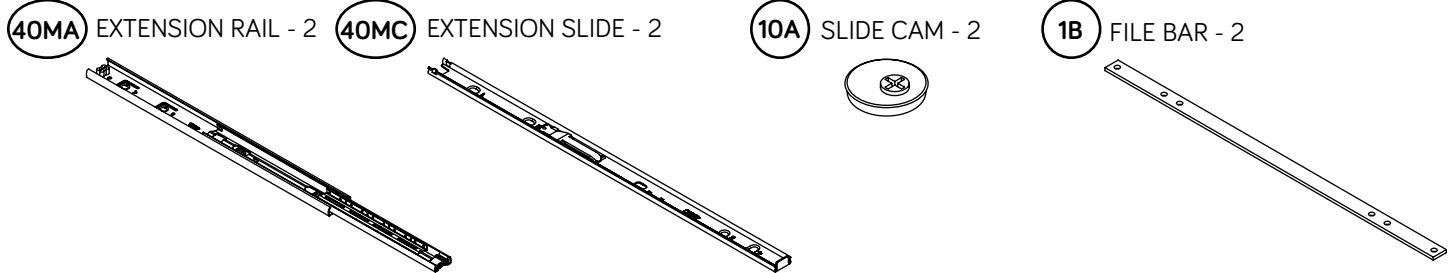
A	RIGHT END (1)	D87	RIGHT DRAWER SIDE (1)	G	LOWER BACK (1)
B	LEFT END (1)	D88	LEFT DRAWER SIDE (1)	H	UPPER BACK (1)
C	FIXED SHELF (1)	D729	DRAWER BOTTOM (1)	J	DRAWER FRONT (1)
D	ADJUSTABLE SHELF (1)	E	SKIRT (1)	K	TOP (1)
D61	DRAWER BACK (1)	F	DUST RAIL (1)	M63	DRAWER BRACE (1)



Hardware Identification

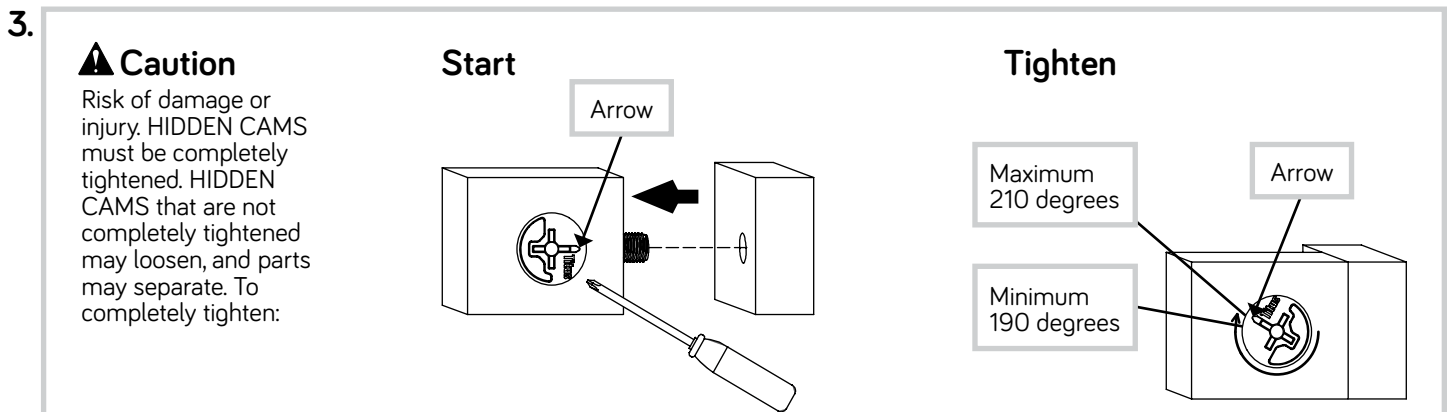
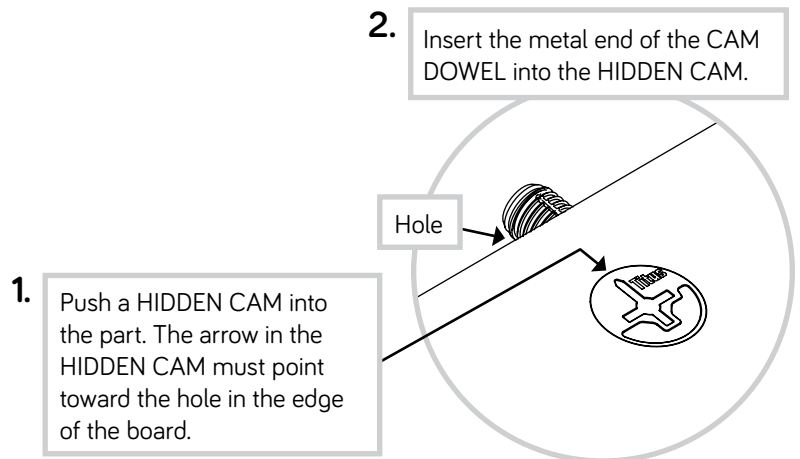
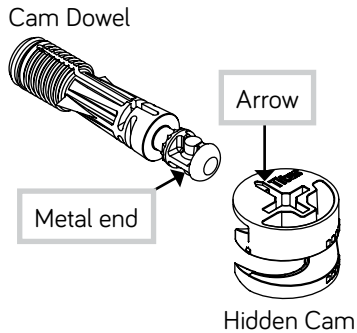
↑ Screws are shown actual size. You may receive extra hardware with your unit.

(EXTENSION SET SHOWN SEPARATED)



Hardware Usage Guide

HOW TO USE A HIDDEN CAM & CAM DOWEL



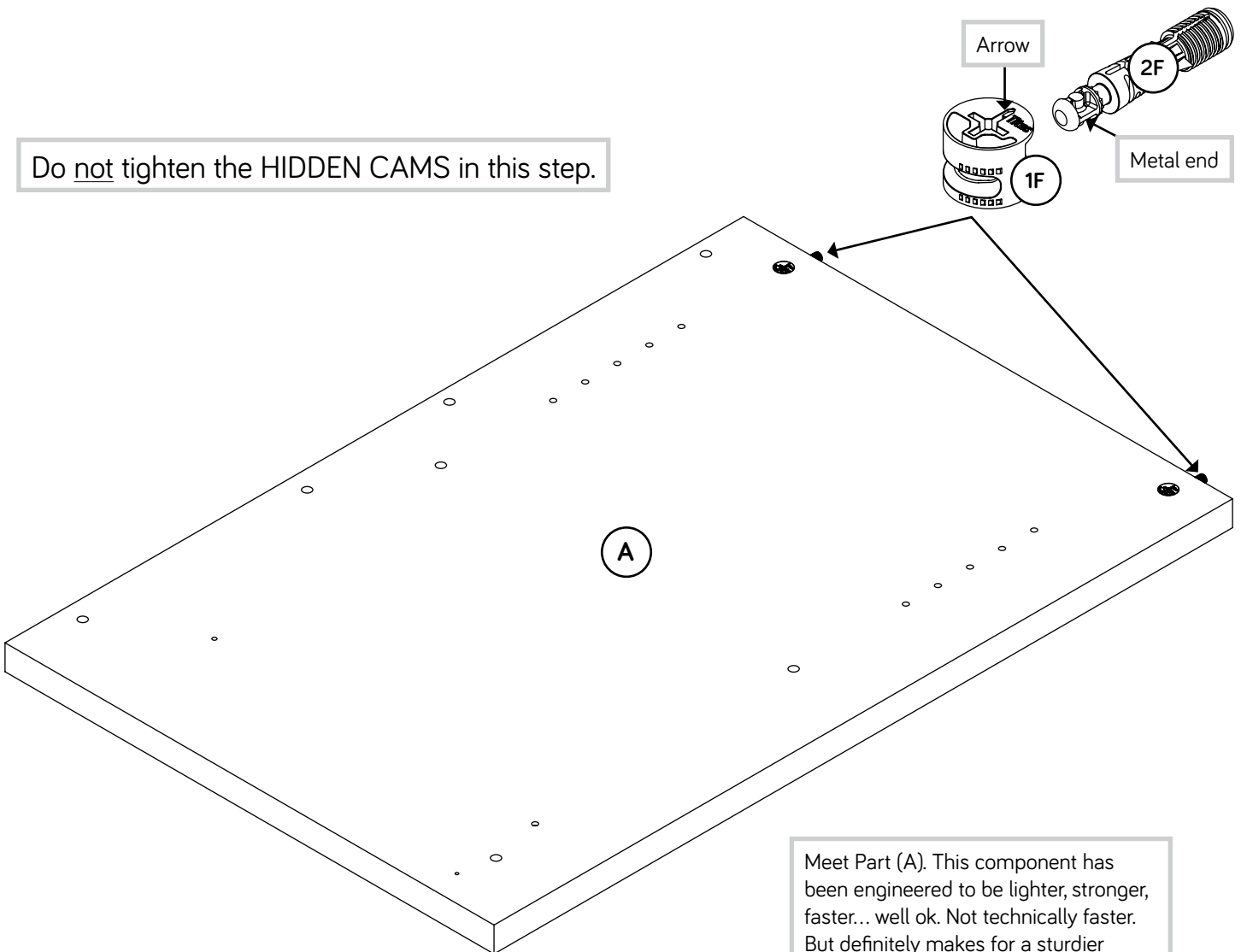
Step 1

- ⚡ Assemble your unit on a carpeted floor or on the empty carton to avoid scratching your unit or the floor.
- ⚡ Push two HIDDEN CAMS (1F) into the RIGHT END (A). Then, insert the metal end of a CAM DOWEL (2F) into each HIDDEN CAM.



Just think. The sooner you do this, the sooner you do something else.

Do not tighten the HIDDEN CAMS in this step.



Meet Part (A). This component has been engineered to be lighter, stronger, faster... well ok. Not technically faster. But definitely makes for a sturdier lateral file that's easier to assemble and friendlier to the environment.

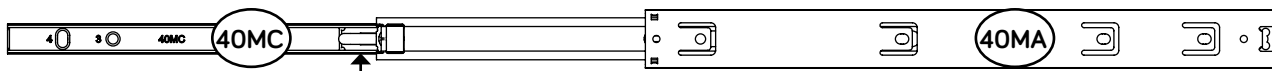
Step 2

✚ Separate the EXTENSION SLIDES (40MC) from the EXTENSION RAILS (40MA) as shown in the upper diagram below. Be prepared, the parts are greasy.

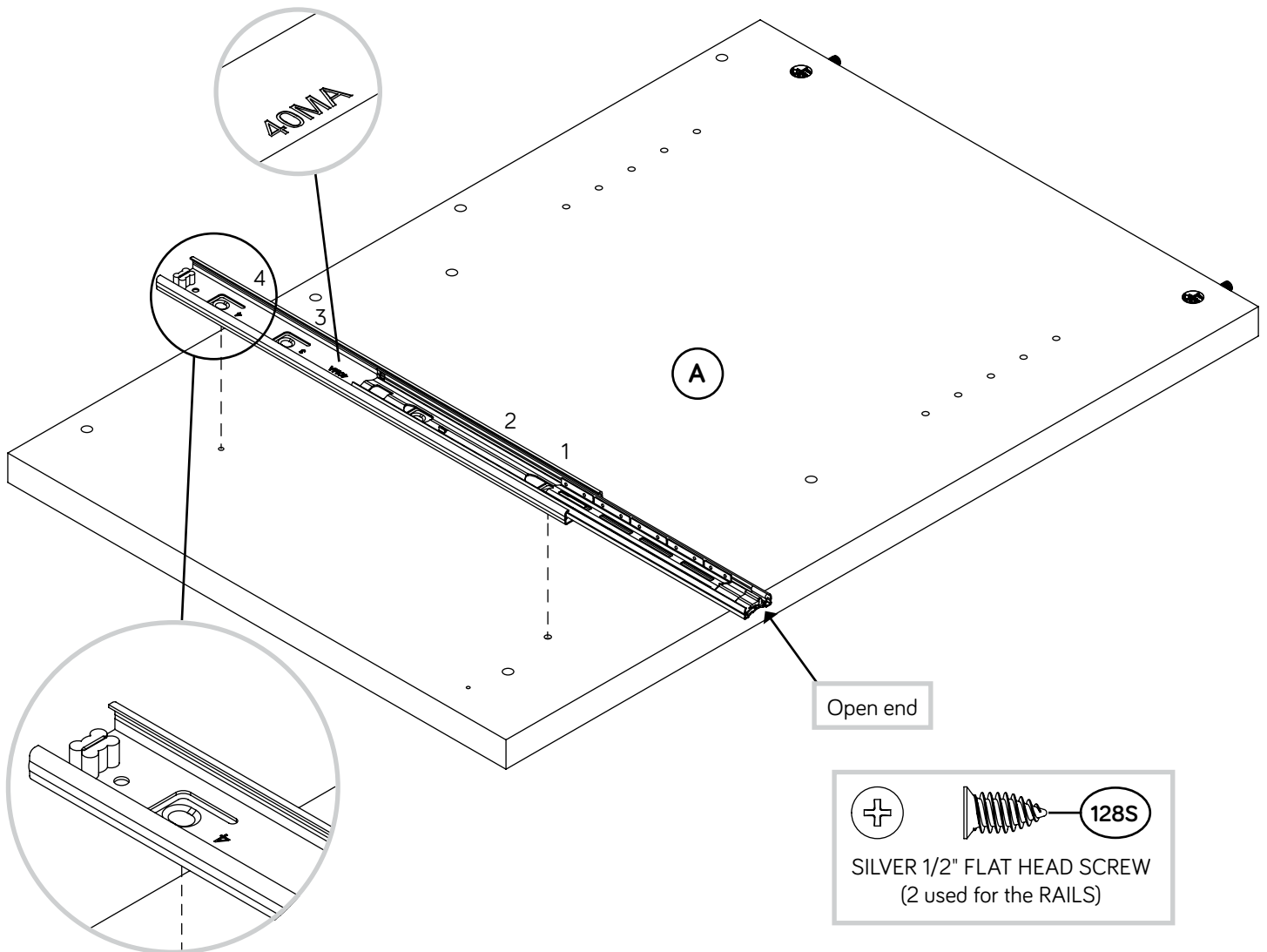
✚ Fasten a EXTENSION RAIL (40MA) to the RIGHT END (A). Use two SILVER 1/2" FLAT HEAD SCREWS (128S) through holes #1 and #4.

✚ **NOTE:** For each EXTENSION RAIL, turn a SCREW into the hole shown in the enlarged diagram. Then, slide the inner cartridge of the EXTENSION RAIL in to find the other hole that lines up with the hole in the RIGHT END. Turn a SCREW into this hole.

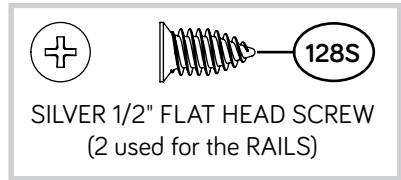
✚ **NOTE:** The EXTENSION SLIDES will be used later for the DRAWERS.



Push the black lever in and pull the SLIDE from the RAIL.

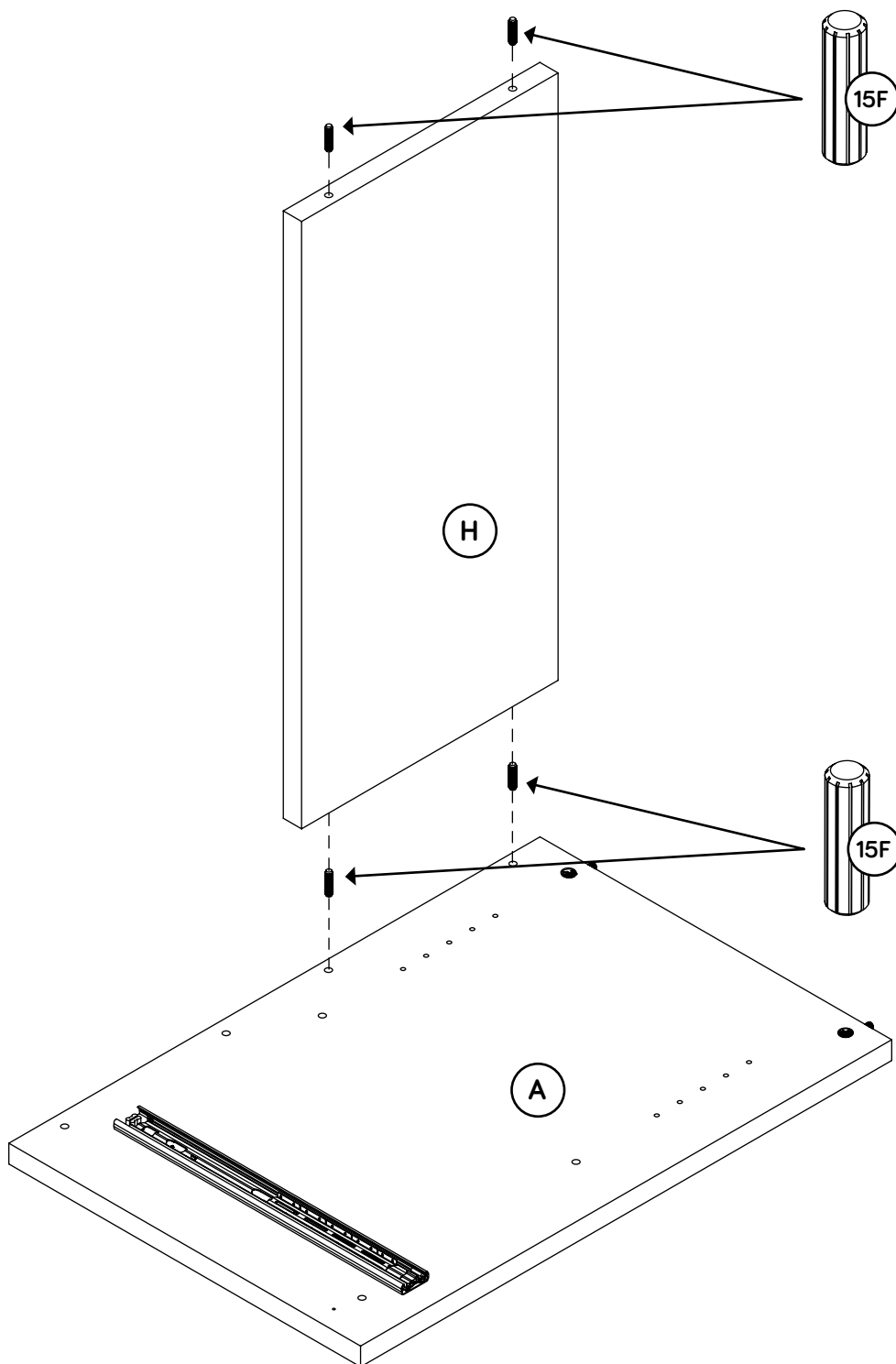


Open end



Step 3

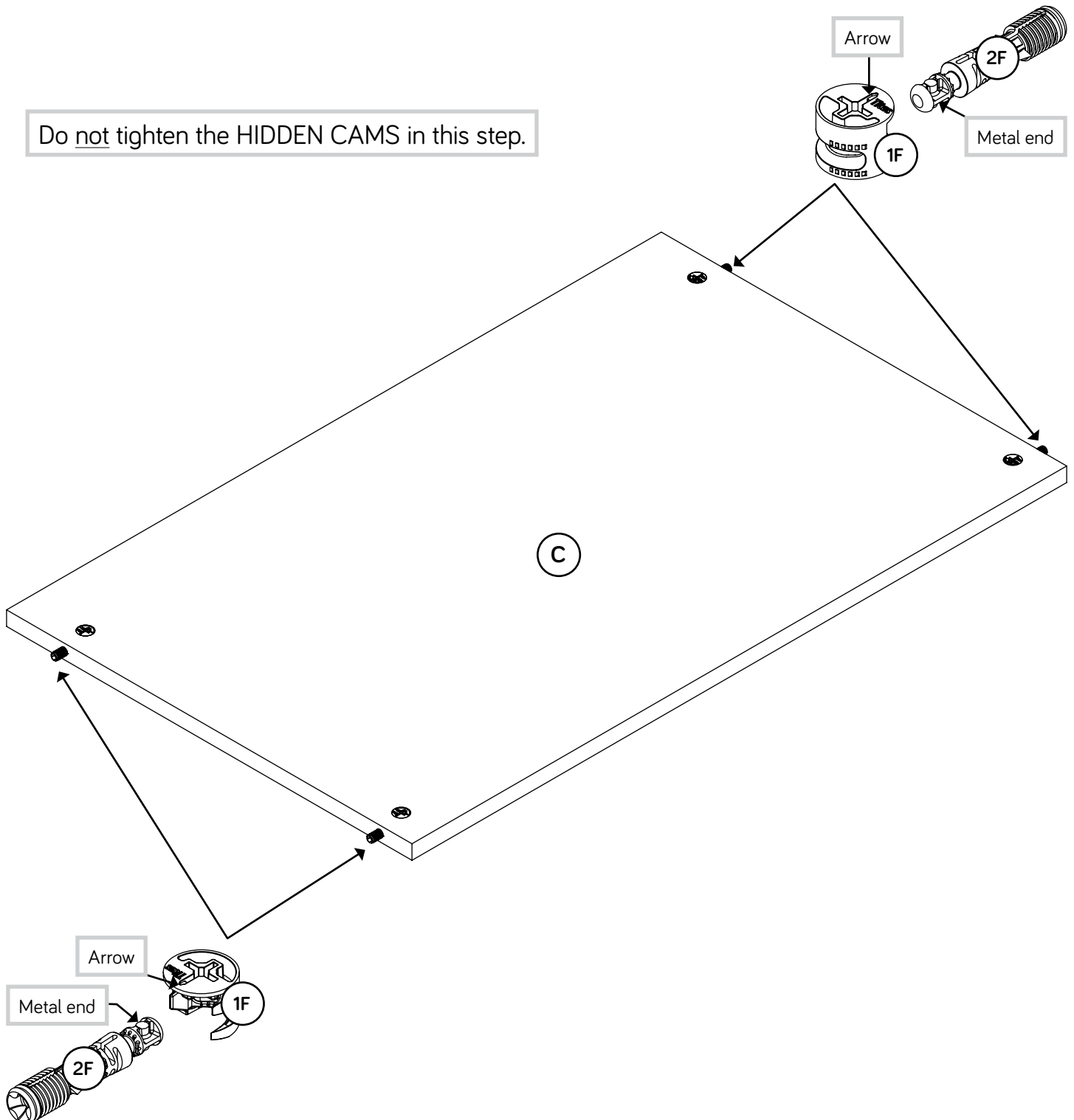
- ✚ Insert four WOOD DOWELS (15F) into the UPPER BACK (H).
- ✚ Push the WOOD DOWELS in the UPPER BACK (H) into the RIGHT END (A).



Step 4

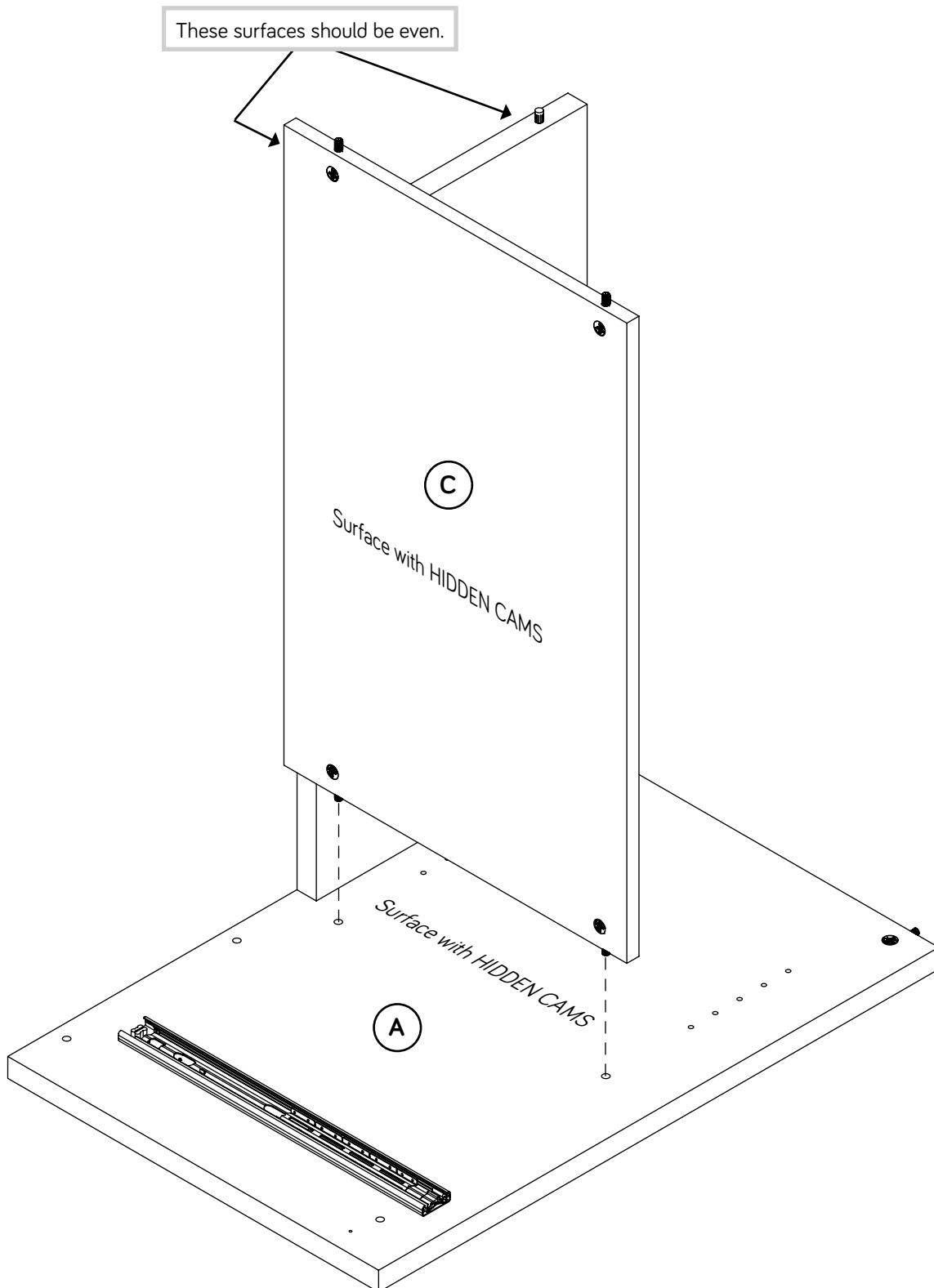
- Push four HIDDEN CAMS (1F) into the FIXED SHELF (C).
Then, insert the metal end of a CAM DOWEL (2F) into each HIDDEN CAM.

Do not tighten the HIDDEN CAMS in this step.



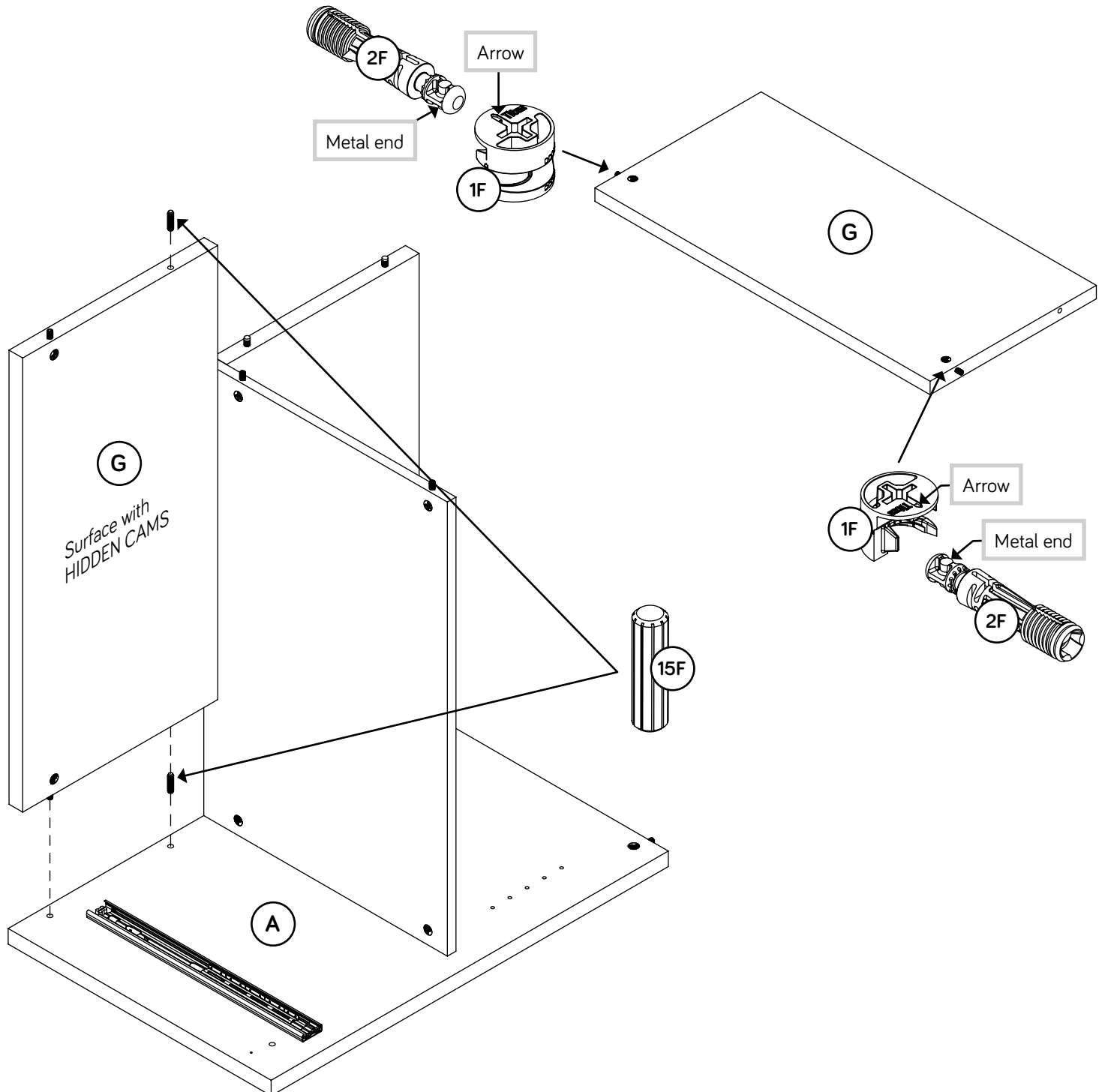
Step 5

- Fasten the FIXED SHELF (C) to the RIGHT END (A).
Tighten two HIDDEN CAMS.



Step 6

- ✚ Push two HIDDEN CAMS (1F) into the LOWER BACK (G). Then, insert the metal end of a CAM DOWEL (2F) into each HIDDEN CAM.
- ✚ Insert two WOOD DOWELS (15F) into the LOWER BACK (G).
- ✚ Fasten the LOWER BACK (G) to the RIGHT END (A). Tighten one HIDDEN CAM.
- ✚ NOTE: Be sure the WOOD DOWELS in the LOWER BACK insert into the RIGHT END.

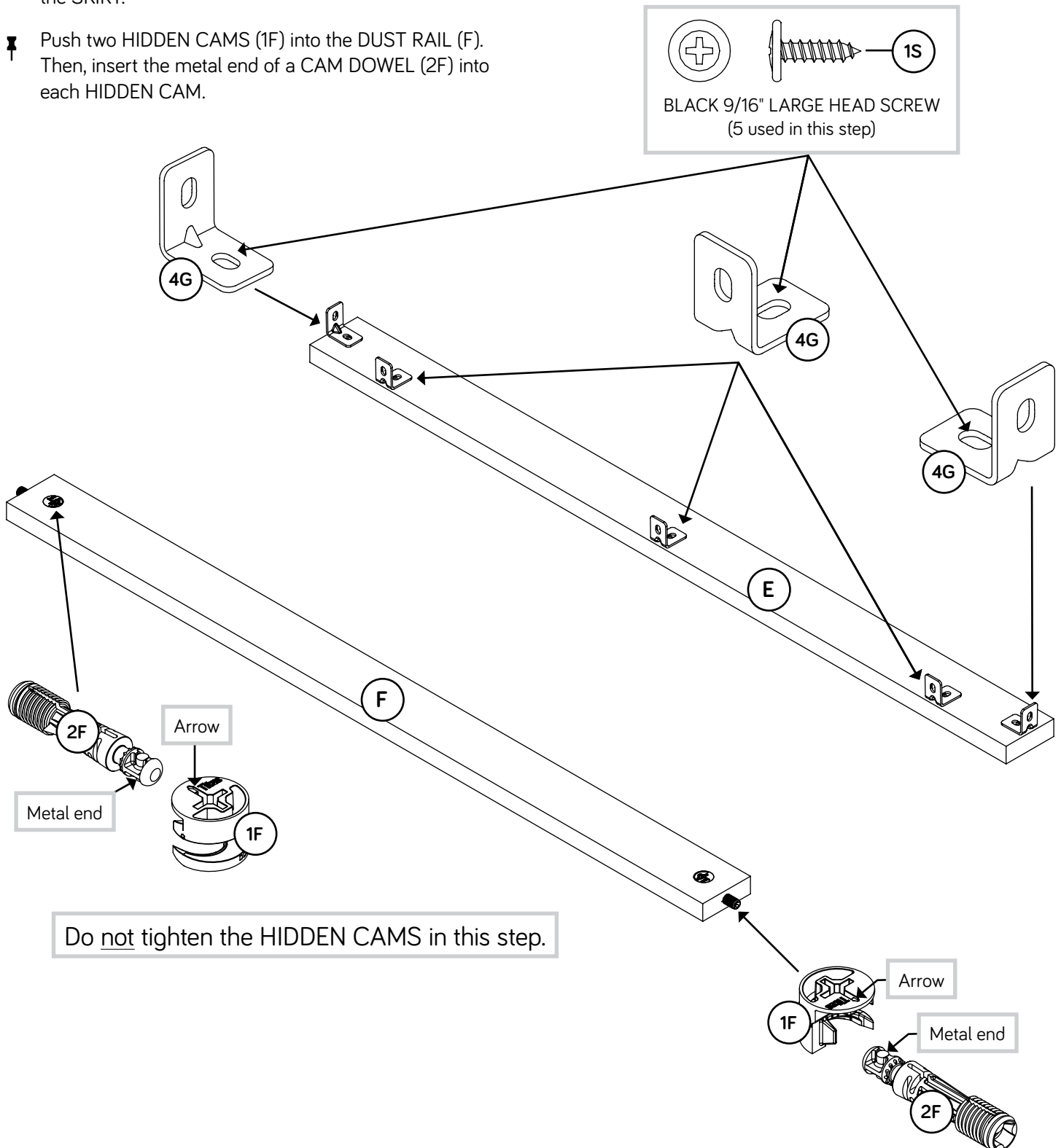


Step 7

Fasten five METAL BRACKETS (4G) to the SKIRT (E). Use five BLACK 9/16" LARGE HEAD SCREWS (1S).

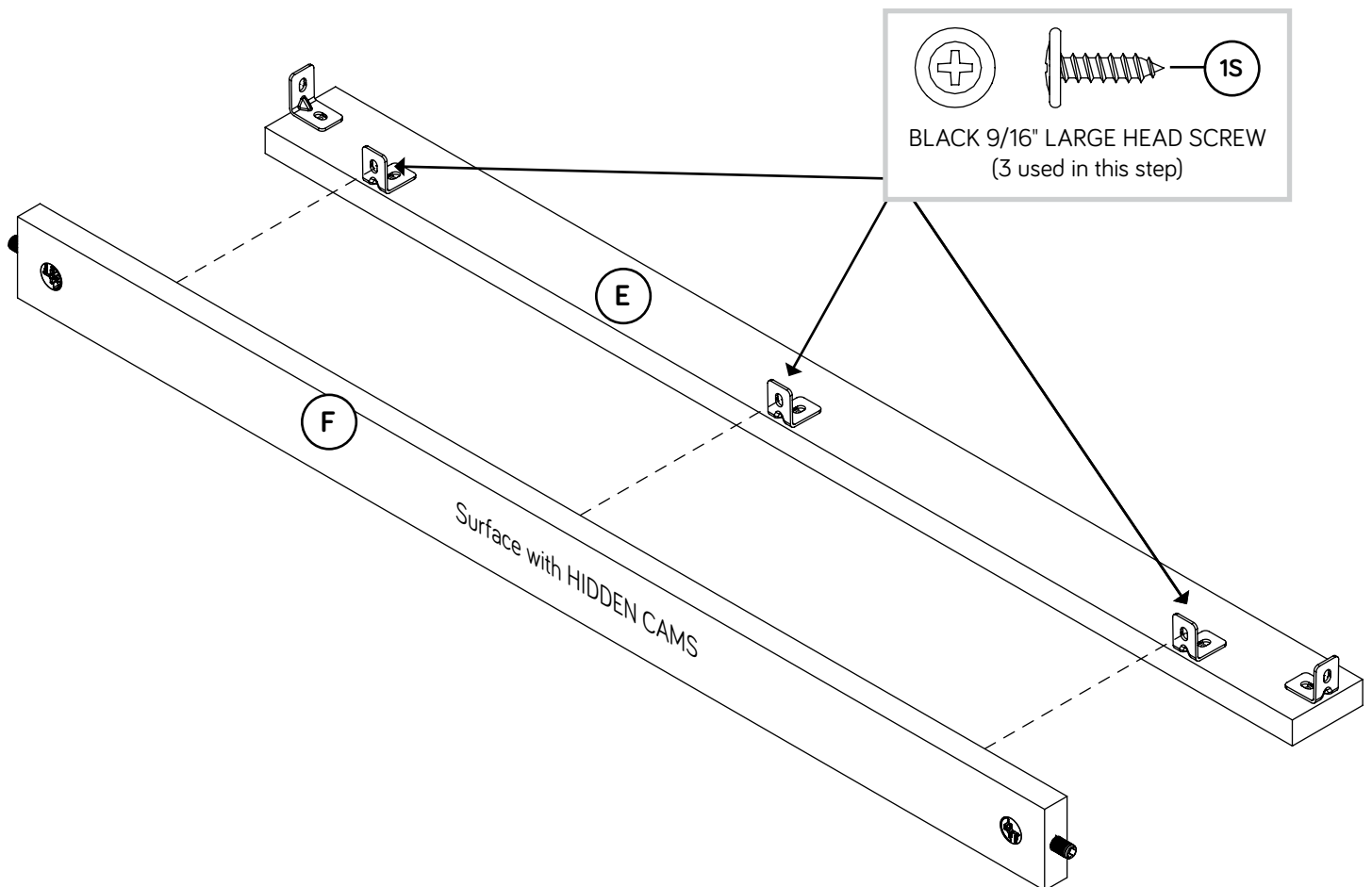
NOTE: Be sure the BRACKETS are even with the edges of the SKIRT.

Push two HIDDEN CAMS (1F) into the DUST RAIL (F). Then, insert the metal end of a CAM DOWEL (2F) into each HIDDEN CAM.



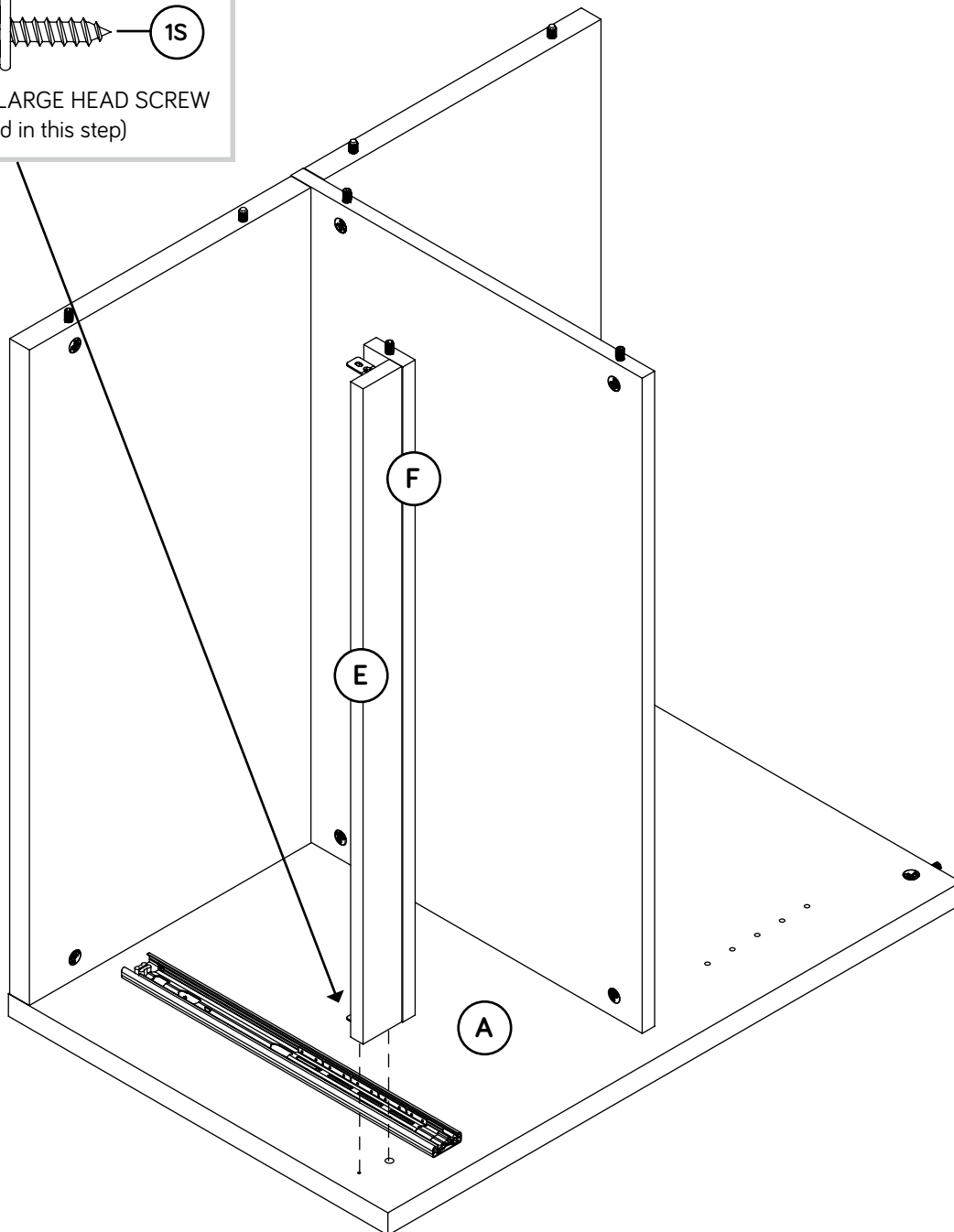
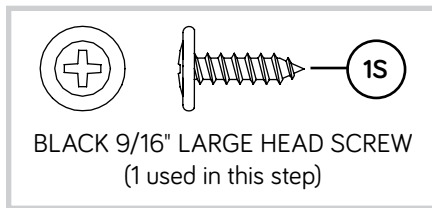
Step 8

- Fasten DUST RAIL (F) to the SKIRT (E). Use three BLACK 9/16" LARGE HEAD SCREWS (1S) through the METAL BRACKETS on the SKIRT and into the holes in the DUST RAIL.



Step 9

- ✚ Fasten the DUST RAIL (F) to the RIGHT END (A). Tighten a HIDDEN CAM.
- ✚ Fasten SKIRT (K) to the RIGHT END (A). Use a BLACK 9/16" LARGE HEAD SCREW (1S) through the METAL BRACKETS on the SKIRT and into the holes in the RIGHT END.



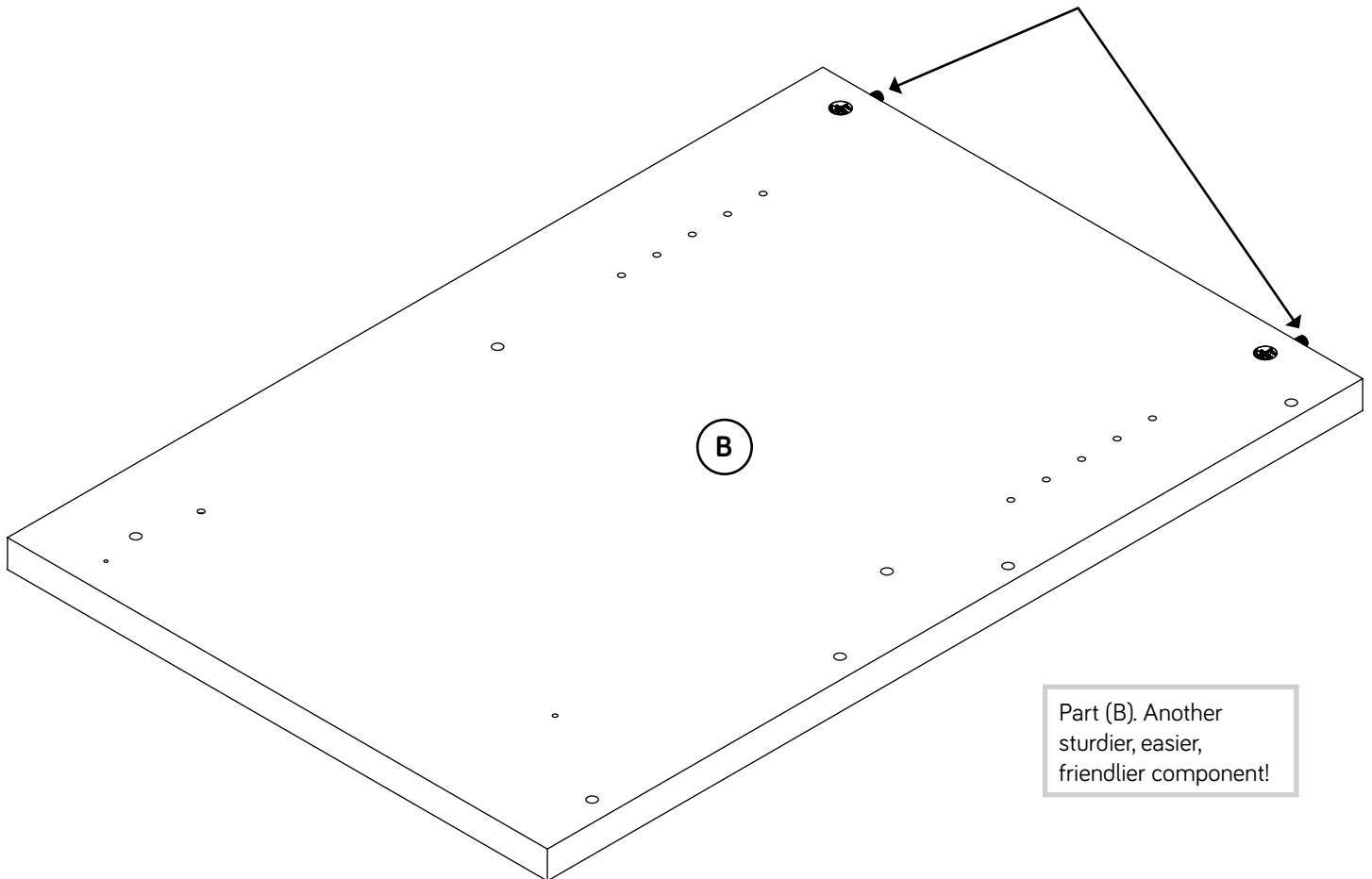
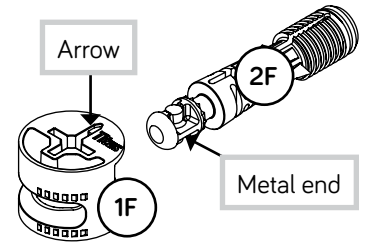
Step 10

- Push two HIDDEN CAMS (1F) into the LEFT END (B). Then, insert the metal end of a CAM DOWEL (2F) into each HIDDEN CAM.



Now might be a good time to refresh your drink.

Do not tighten the HIDDEN CAMS in this step.

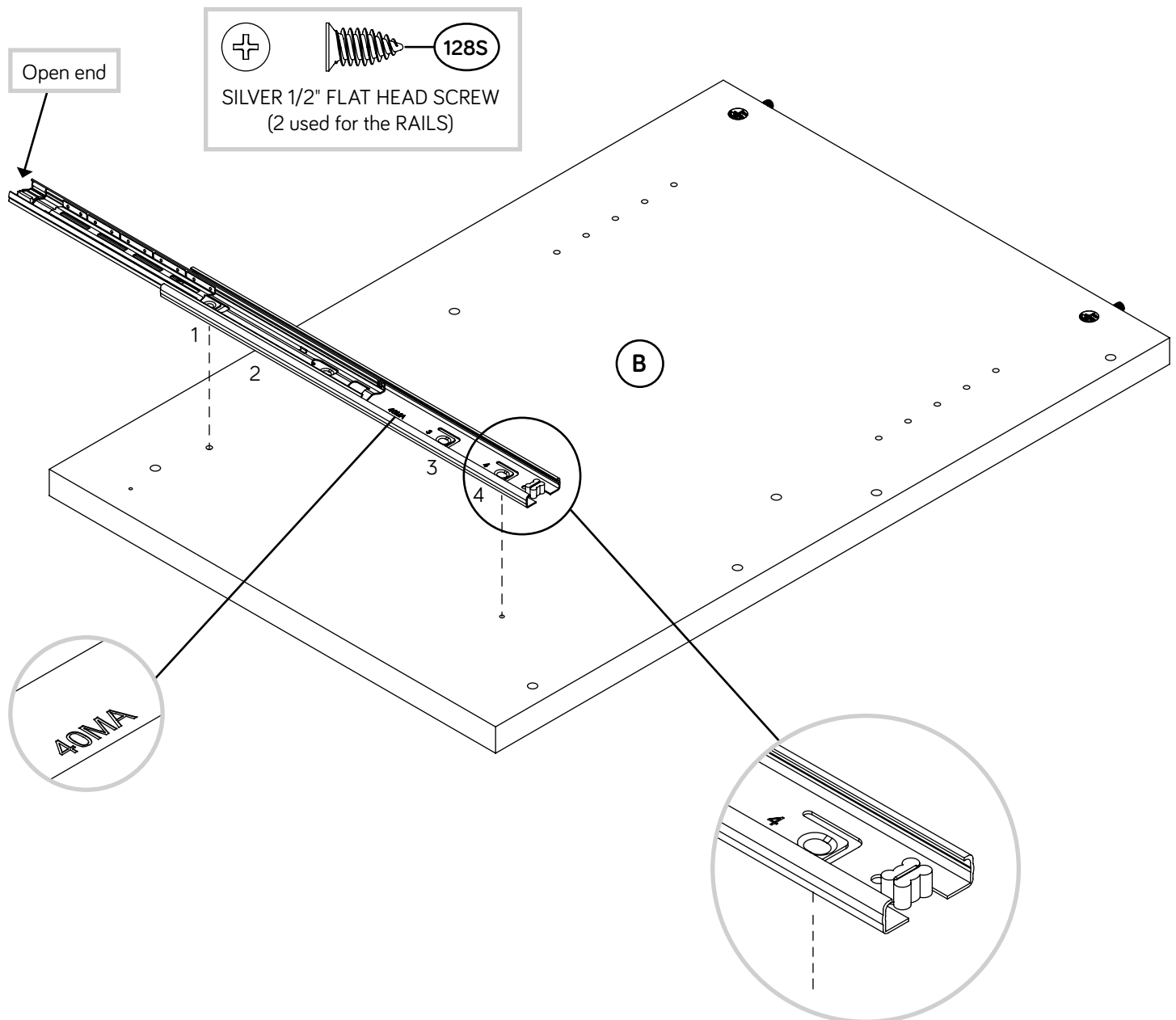


Part (B). Another sturdier, easier, friendlier component!

Step 11

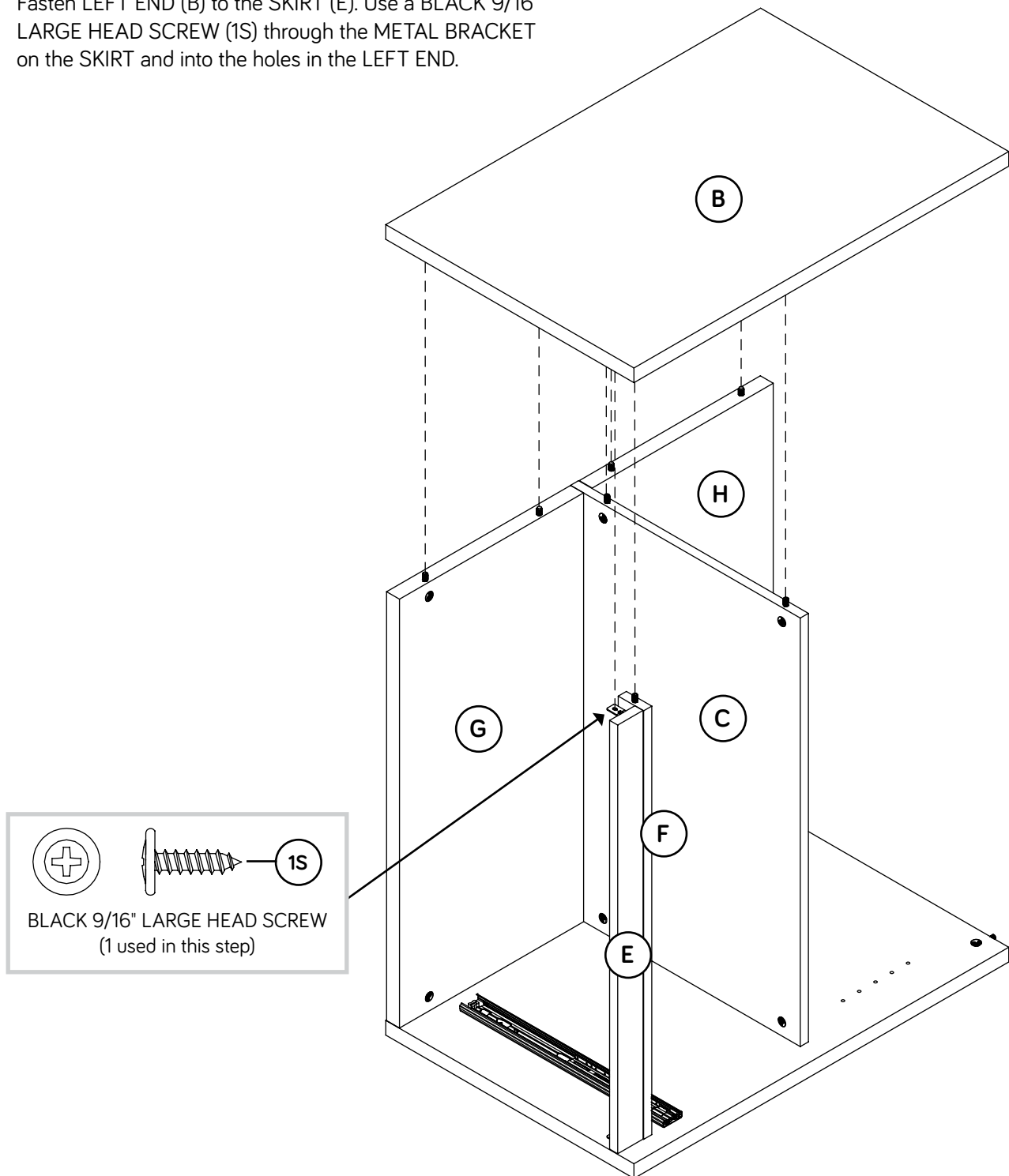
- Fasten a EXTENSION RAIL (40MA) to the LEFT END (B).
Use two SILVER 1/2" FLAT HEAD SCREWS (128S)
through holes #1 and #4.

- NOTE:** For each EXTENSION RAIL, turn a SCREW into the hole shown in the enlarged diagram. Then, slide the inner cartridge of the EXTENSION RAIL in to find the other hole that lines up with the hole in the LEFT END. Turn a SCREW into this hole.



Step 12

- Fasten the LEFT END (B) to the FIXED SHELF (C), DUST RAIL (F), LOWER BACK (G), and UPPER BACK (H). Tighten four HIDDEN CAMS.
- NOTE:** Be sure the WOOD DOWELS in the LOWER BACK and UPPER BACK insert into the LEFT END.
- Fasten LEFT END (B) to the SKIRT (E). Use a BLACK 9/16" LARGE HEAD SCREW (1S) through the METAL BRACKET on the SKIRT and into the holes in the LEFT END.



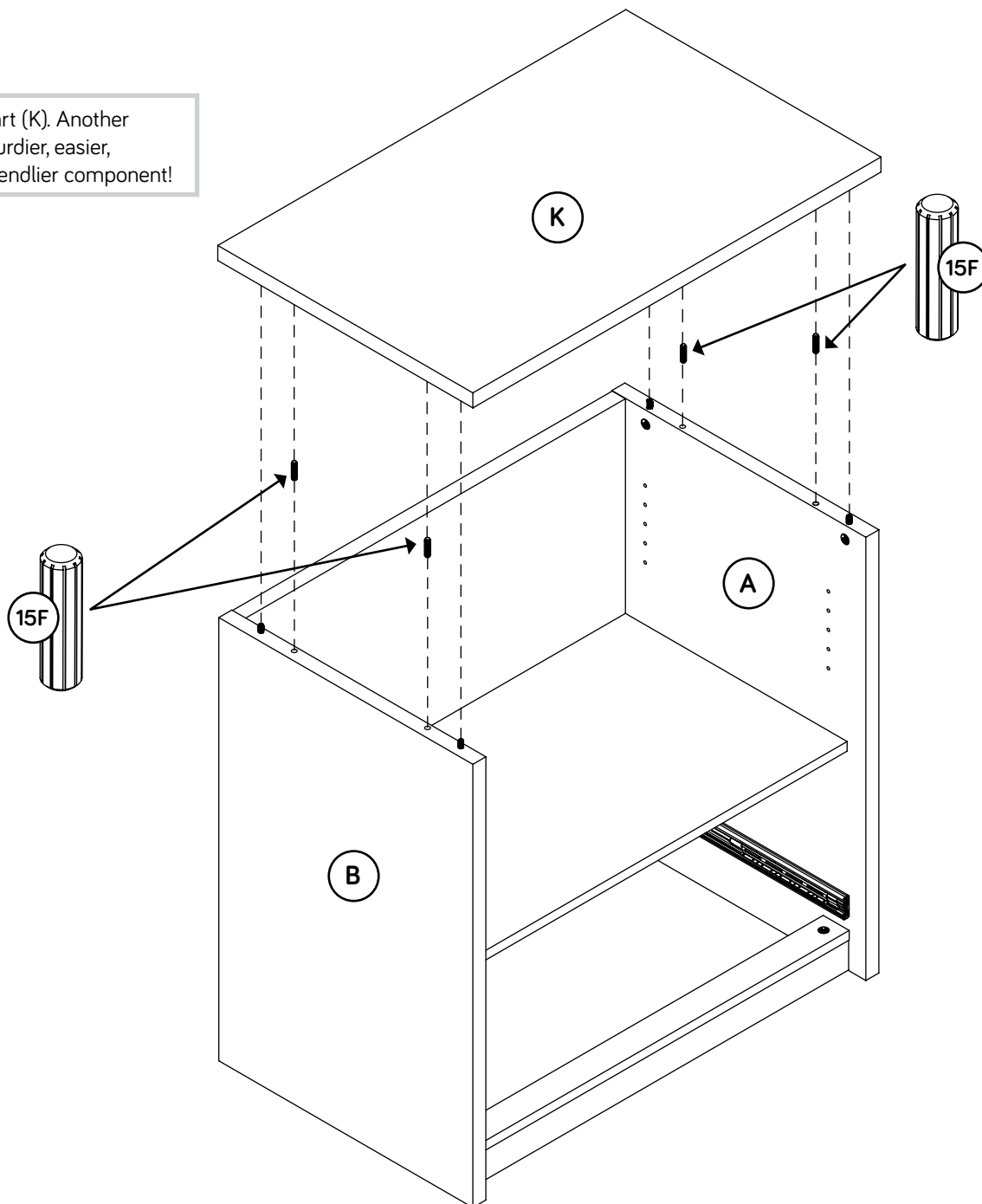
Step 13

- ⚡ Carefully stand your unit upright.
- ⚡ Insert four WOOD DOWELS (15F) into the TOP (K).
- ⚡ Fasten the TOP (K) to the ENDS (A and B). Tighten four HIDDEN CAMS.
- ⚡ **NOTE:** Be sure the WOOD DOWELS in the TOP insert into the ENDS.

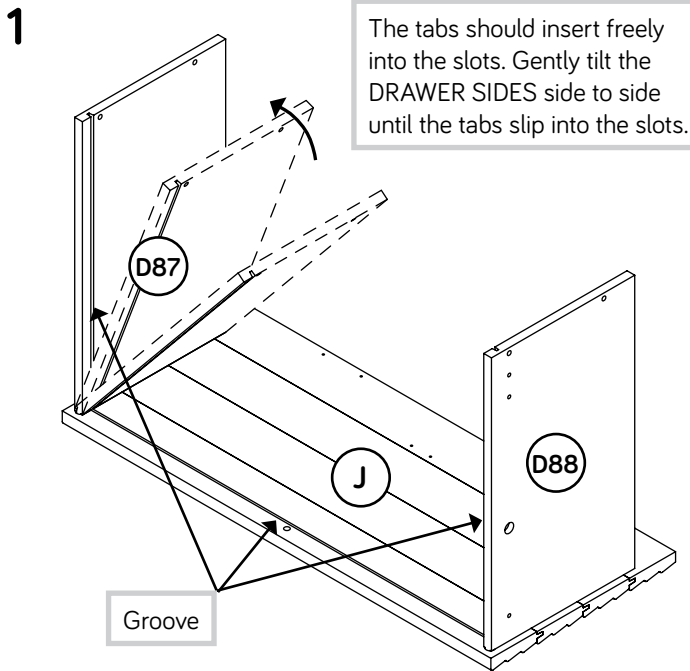


Pro Tip: Lift with your legs. And, you know, your arms.

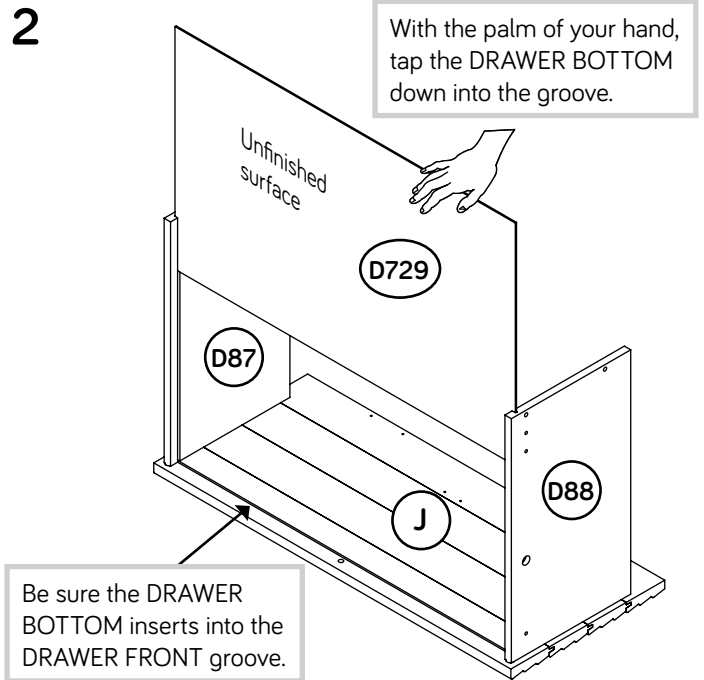
Part (K). Another sturdier, easier, friendlier component!



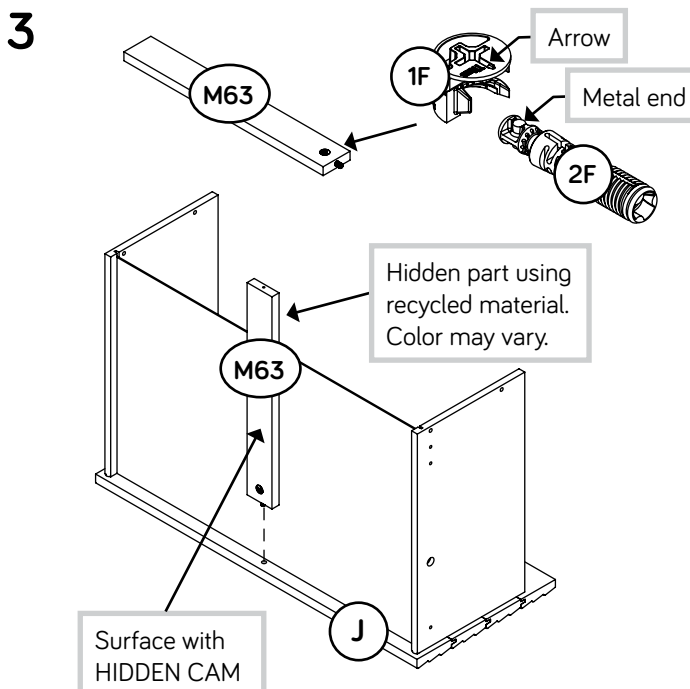
Step 14



✚ Insert the DRAWER SIDES (D87 and D88) at an angle into the slot at each end of the DRAWER FRONT (J).

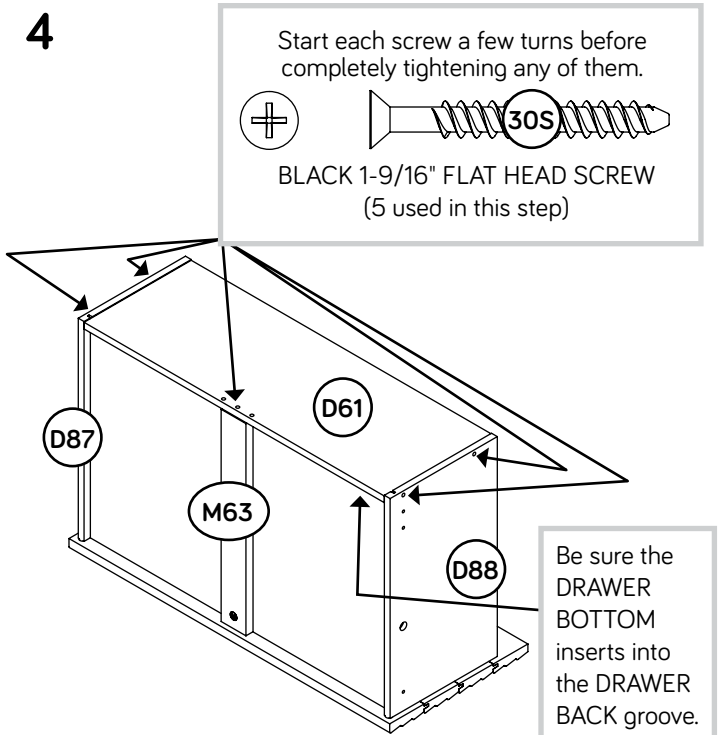


✚ Slide the DRAWER BOTTOM (D729) into the grooves in the DRAWER SIDES (D87 and D88) and DRAWER FRONT (J).



✚ Push a HIDDEN CAM (1F) into the DRAWER BRACE (M63). Then insert the metal end of a CAM DOWEL (2F) into the HIDDEN CAM.

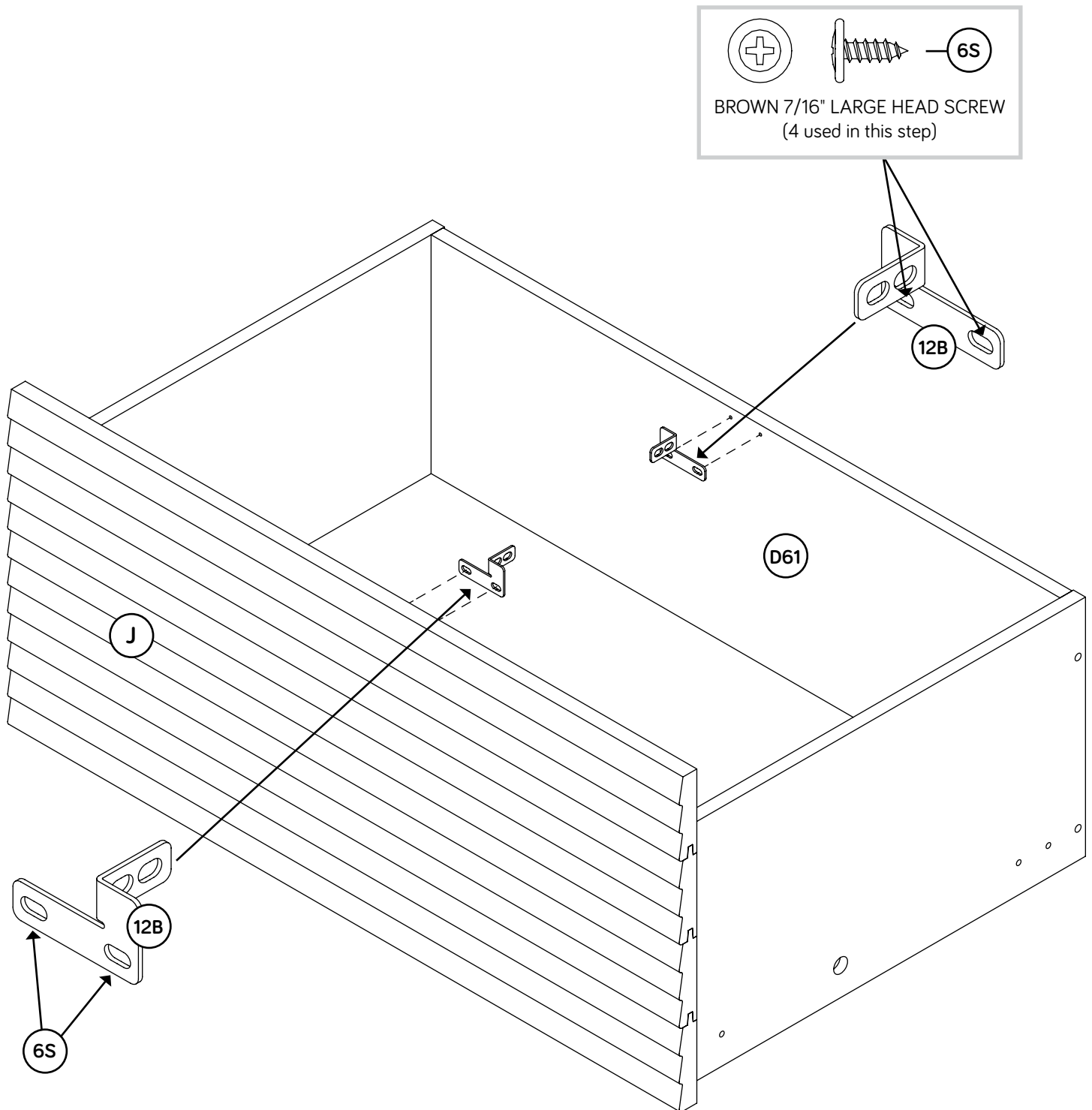
✚ Fasten the DRAWER BRACE (M63) to the DRAWER FRONT (J). Tighten one HIDDEN CAM.



✚ Fasten the DRAWER BACK (D61) to the DRAWER SIDES (D87 and D88) and DRAWER BRACE (M63). Use five BLACK 1-9/16" FLAT HEAD SCREWS (30S).

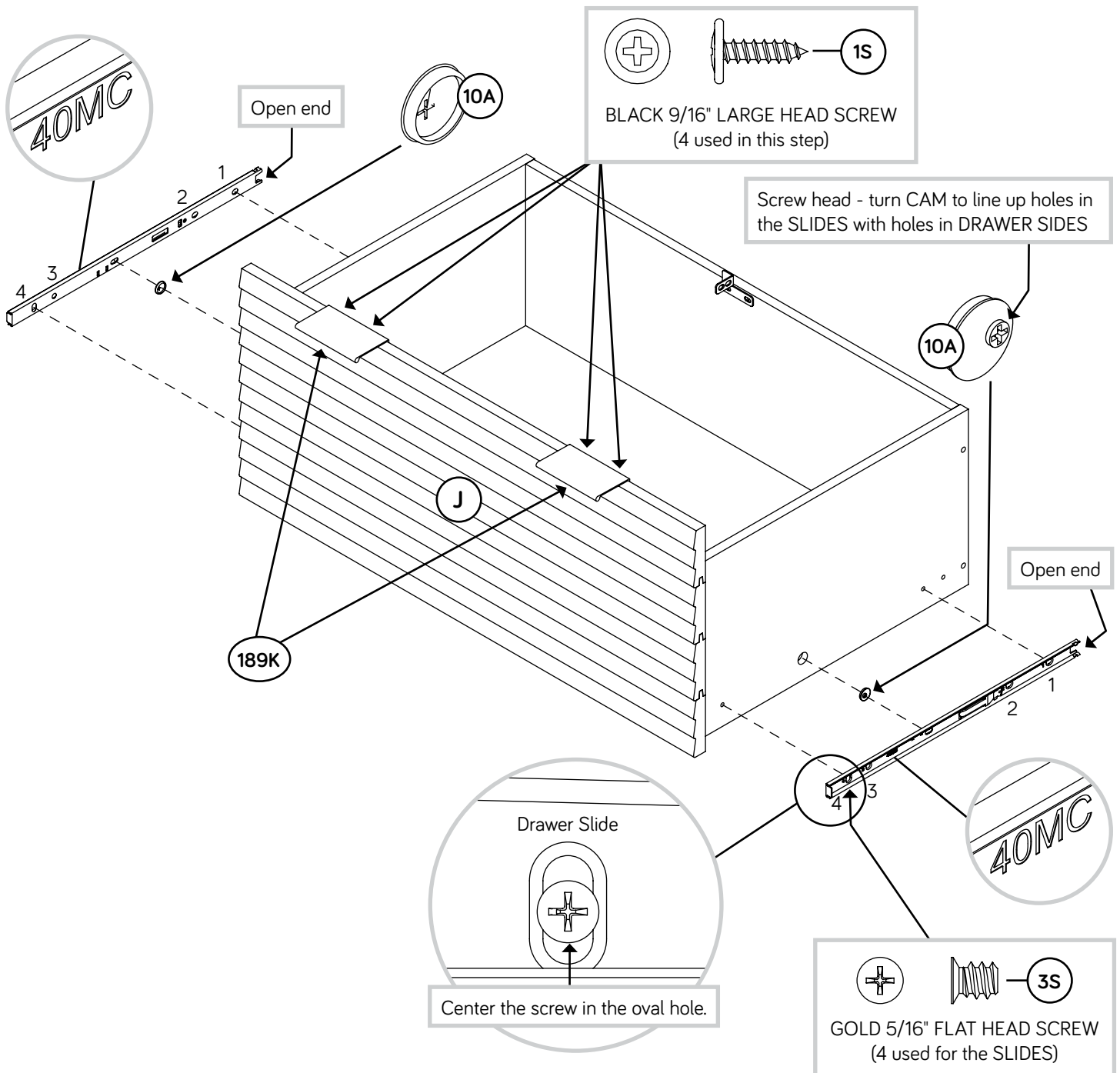
Step 15

- Fasten the FILE BRACKETS (12B) to the DRAWER BACK (D61) and DRAWER FRONT (J) as shown. Use four BROWN 7/16" LARGE HEAD SCREWS (6S).



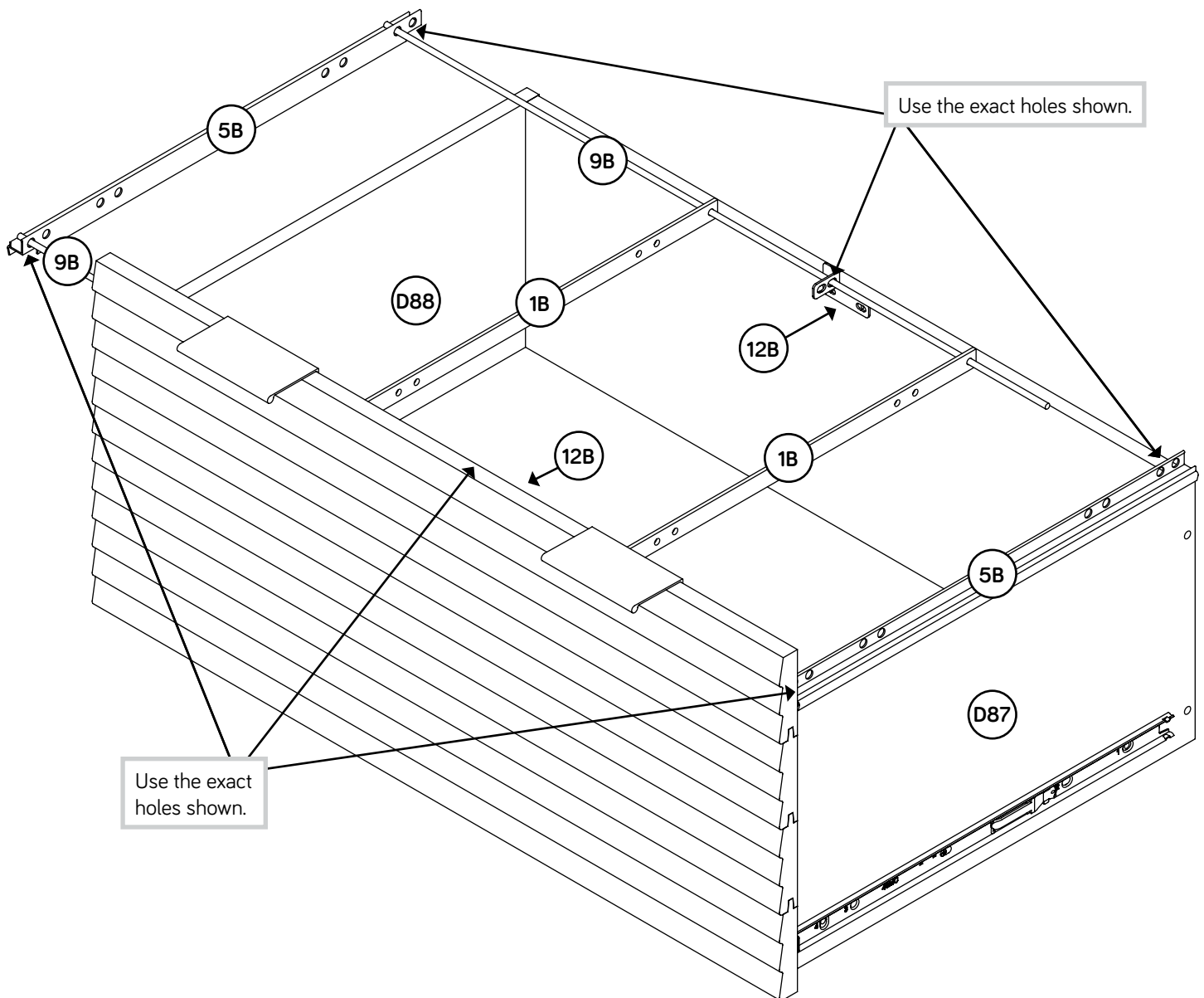
Step 16

- ✚ Insert a SLIDE CAM (10A) into the DRAWER SIDES (D87 and D88).
- ✚ Fasten the EXTENSION SLIDES (40MC) to the DRAWER SIDES (D87 and D88). Use four GOLD 5/16" FLAT HEAD SCREWS (3S) through holes #1 and #4.
- ✚ **NOTE:** The screw head in the CAM must be visible through the slotted hole in the SLIDE.
- ✚ Fasten the PULLS (189K) to the DRAWER FRONT (J) as shown. Use four BLACK 9/16" LARGE HEAD SCREWS (1S).



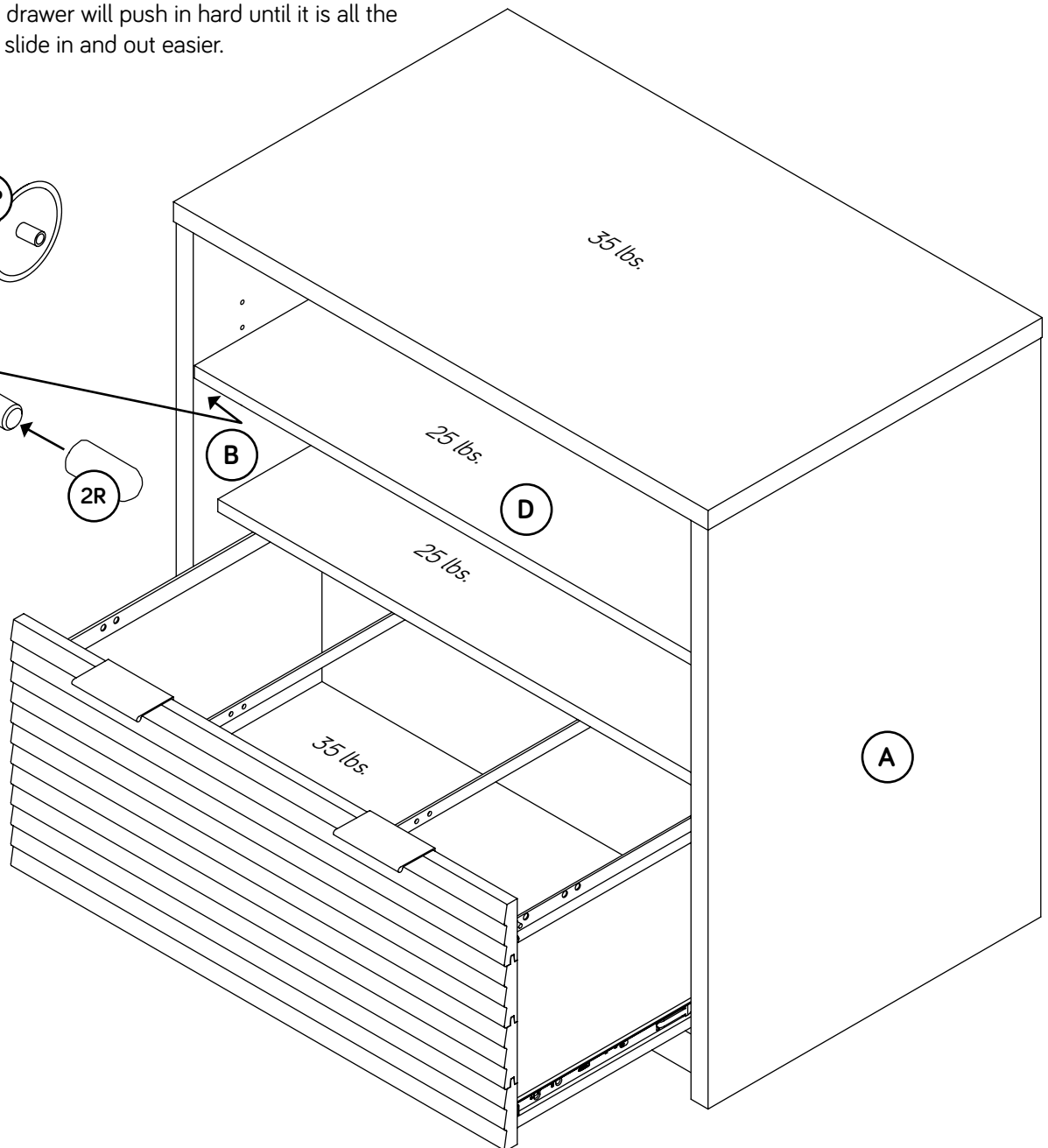
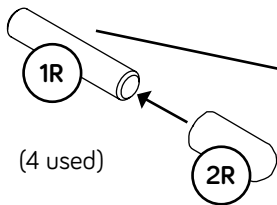
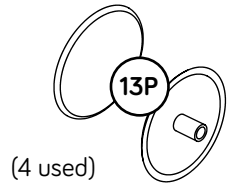
Step 17

- ✚ Press one of the FILE GLIDES (5B) over the RIGHT DRAWER SIDE (D87) on the drawer. The FILE GLIDES are necessary to hang files.
- ✚ Slide the FILE RODS (9B) through the FILE BARS (1B), FILE BRACKETS and into the holes shown in the FILE GLIDE (5B) on the RIGHT DRAWER SIDE (D87).
- ✚ Slide another FILE GLIDE (5B) onto the other ends of the FILE RODS (9B), then press this FILE GLIDE over the LEFT DRAWER SIDE (D88).



Step 18

- ✚ Using your hammer, gently tap a CAM COVER (13P) onto each visible HIDDEN CAM.
- ✚ Push the RUBBER SLEEVES (2R) over the METAL PINS (1R). Insert the METAL PINS into the hole locations of your choice in the ENDS (A and B). Set the ADJUSTABLE SHELF (D) onto the METAL PINS. Set the ADJUSTABLE SHELF (D) onto the METAL PINS.
- ✚ To insert a drawer into your unit, line up the EXTENSION SLIDES on the drawer with the EXTENSION RAILS on the unit and push the drawer into the unit until the drawer is fully inserted. The drawer will push in hard until it is all the way in, then it will slide in and out easier.



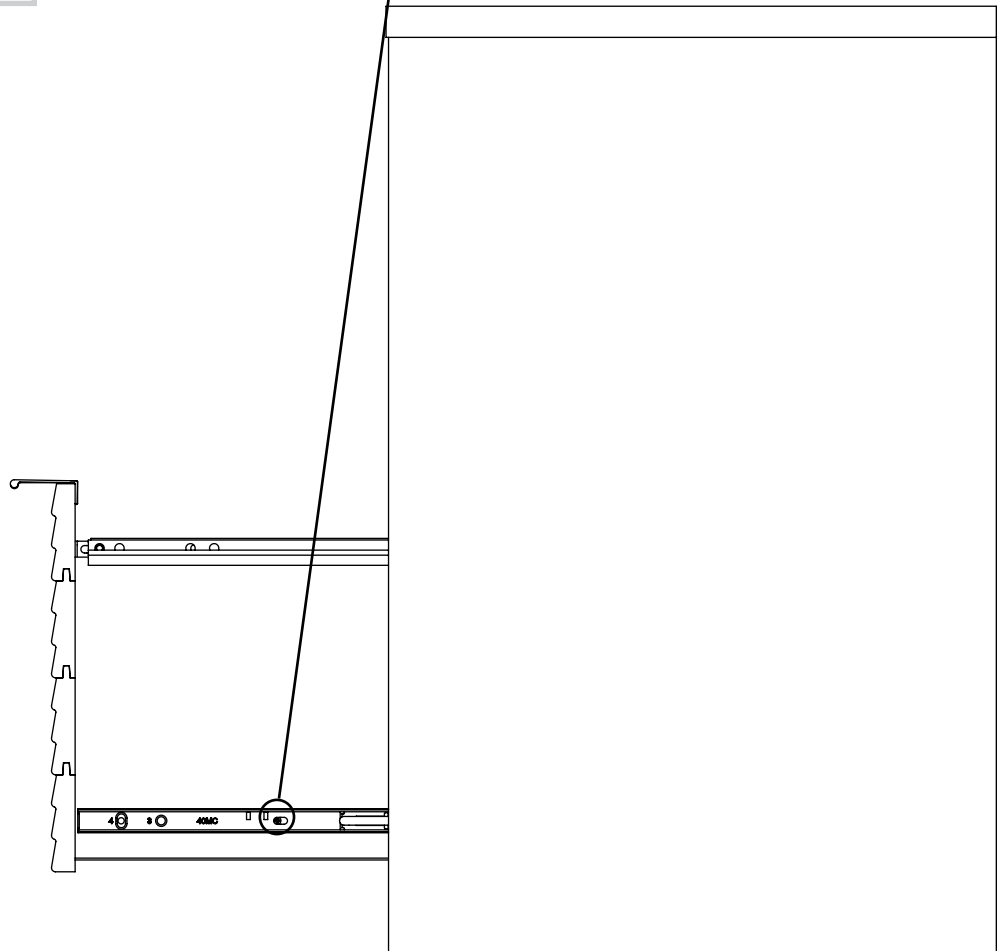
Step 19

- ✦ To make adjustments to the drawer, loosen SCREW #4 in the SLIDES a 1/4 turn, then turn the cam clockwise or counter-clockwise. Notice how the drawer raises or lowers as you turn the cam. By adjusting the drawer this way, it will help the DRAWER FRONT line up better when closed. Tighten the SCREWS when finished with adjustments.
- ✦ NOTE: Please read the back pages of the instruction booklet for important safety information.
- ✦ This completes assembly. Clean with a damp cloth. Wipe dry.

Loosen screw #4 a 1/4 turn, turn the cam a 1/4 turn maximum in both the clockwise and counter-clockwise directions to make adjustments, and then tighten screw #4.



The higher the screw in the oblong hole, the higher your drawer front will be. The lower the screw, the lower the drawer front.



CAUTION

Please use your furniture correctly and safely. Improper use can cause safety hazards, or damage to your furniture or household items. Carefully read the following chart.

Look out for:	What can happen:	How to avoid the problem:
<ul style="list-style-type: none">Overloaded drawers.	<ul style="list-style-type: none">Risk of injury.Top-heavy furniture can tip over.Overloaded drawers can break.	<ul style="list-style-type: none">Never exceed the weight limits shown in the instructions.Work from bottom to top when loading drawers. Place the heavier items in the lower drawer.
<ul style="list-style-type: none">Improperly moving furniture.	<ul style="list-style-type: none">Furniture can tip over or break if improperly moved.Physical injury. Furniture can be very heavy.	<ul style="list-style-type: none">Unload drawers from top to bottom before moving the lateral file.Do not push furniture, especially on a carpeted floor. Have a friend help you lift the item and set it in place.
<ul style="list-style-type: none">Placing TVs on furniture items that are not designed to support a television is hazardous.	<ul style="list-style-type: none">Risk of injury or death. TVs can be very heavy. Plus the weight and location of the picture tube tends to make TVs unbalanced and prone to tipping forward.	<ul style="list-style-type: none">This product is not designed to support a television.