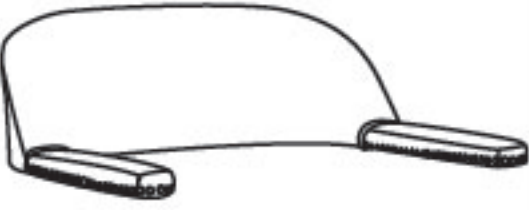
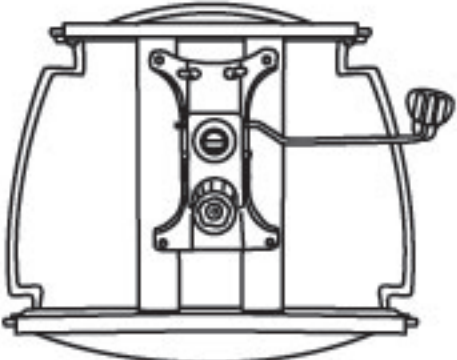
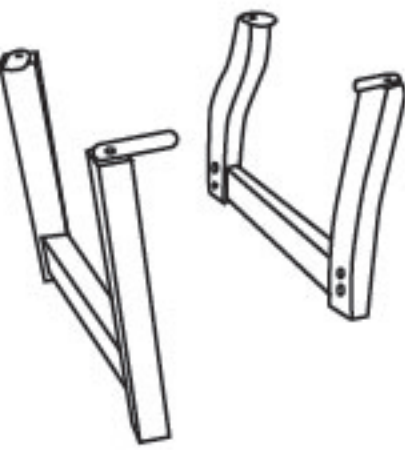

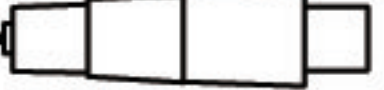





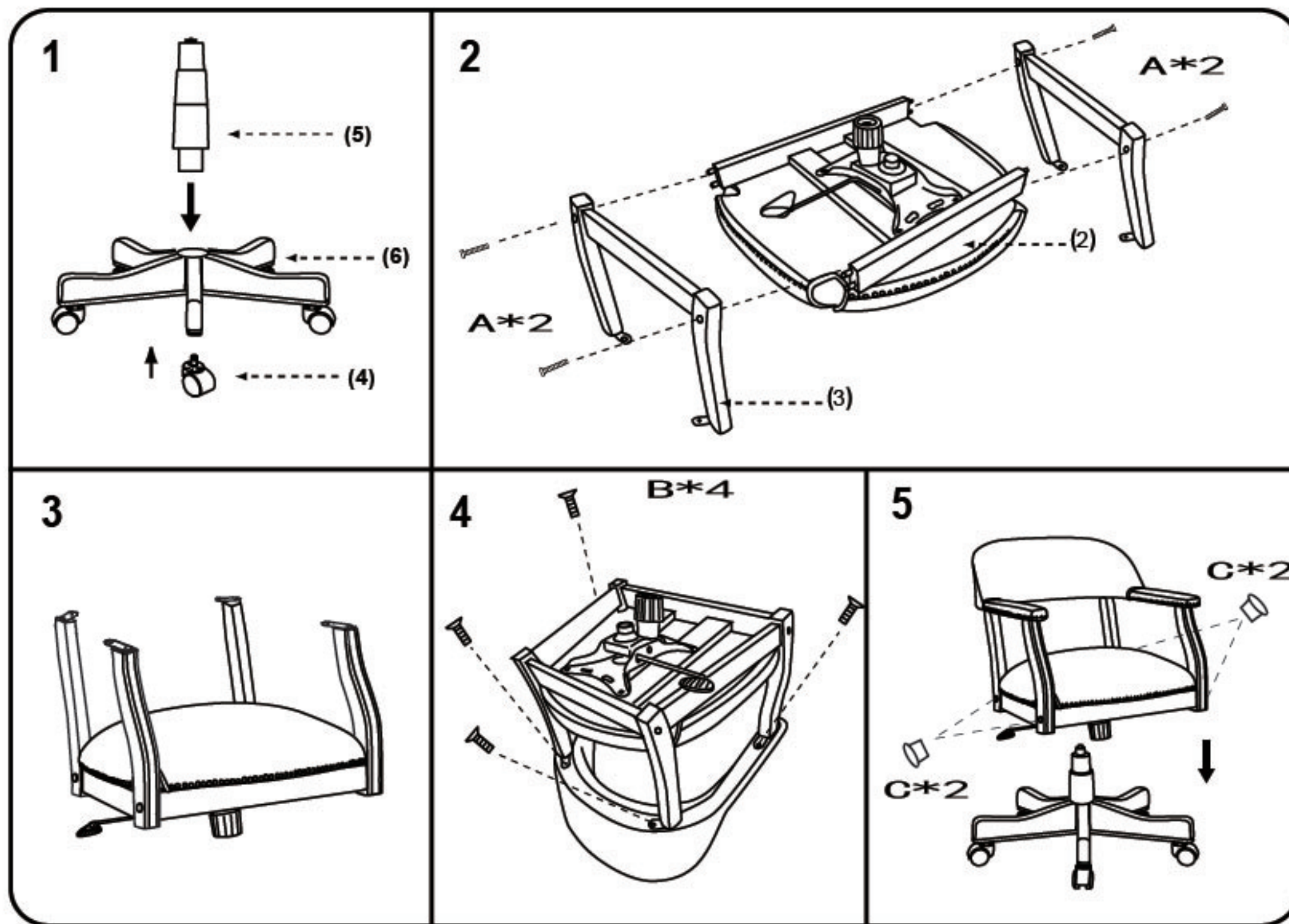
(1)X1  BACK	(2)X1  SEAT	(3)X1  FRAME
(4)X5  CASTERS	(5)X1  GAS LIFT	(6)X1  BASE

- (A)x4  M6*36 Wooden Frame Screws
- (B)x4  M6*22 Arm Screws
- (C)x4  Arm Cap
- (D)x1  ALLEN KEY

Teknik Office Ltd, West One 63-67 Bromham Road, Bedford, MK40 2FG

TEL:01234 328804 FAX:01234 342446

If you encounter any problems with the operation of your chair, please refer to the downloads section of our web site - www.teknikoffice.co.uk



Note: Please tighten all arm screws using allen key before step 5

Insert and loosely tighten all screws. When assembly is completed, fully tighten all screws before using. This chair is only intended for sitting. Any other use will void the warranty.

