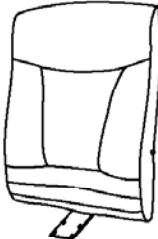

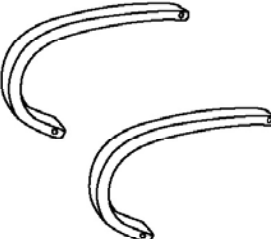
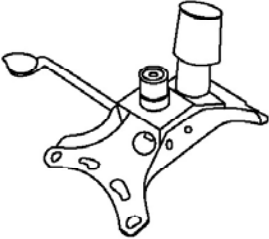
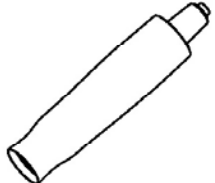
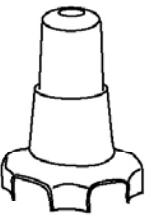
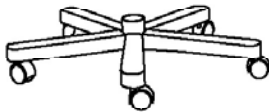
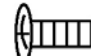
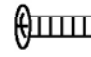


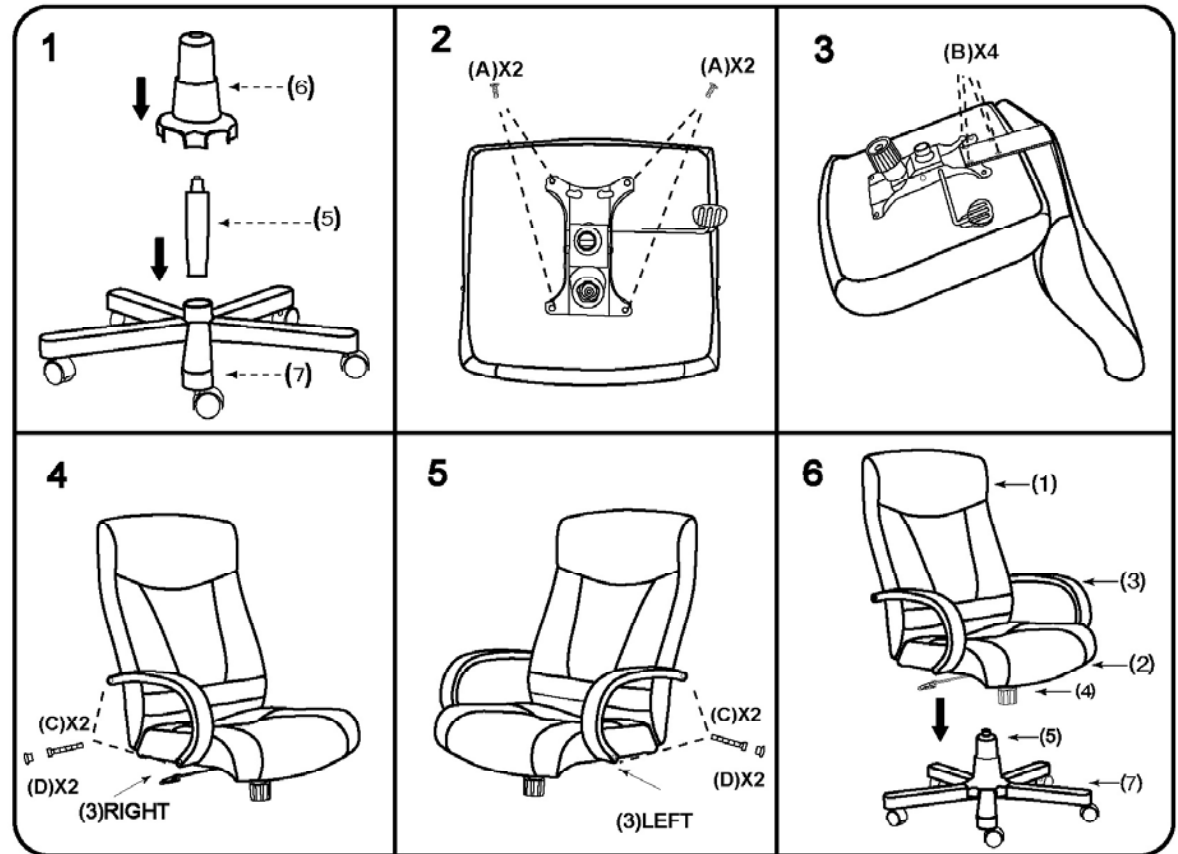


(1)x1	(2)x1	(3)x1 (L)x1 (R)
		
(4)x1	(5)x1	(6)x1
		
(7)x1	Please unscrew all screws from cushion before assembly.	
	(A)x4  M8*22	(B)x4  M6*30
	(C)x4  M6*60	(D)x4  ARM CAP



It is important to assemble all parts so that the directional "Arrows" point in the same direction. Make certain that all screws are **FULLY** tightened before using the chair. Each month, check all screws and tighten any that may have loosened.

