
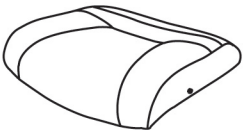
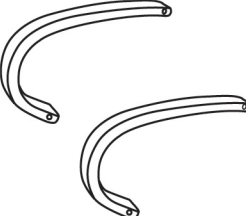
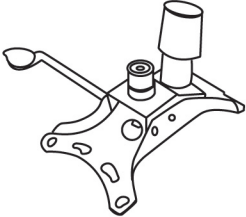

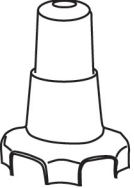
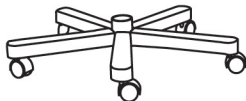




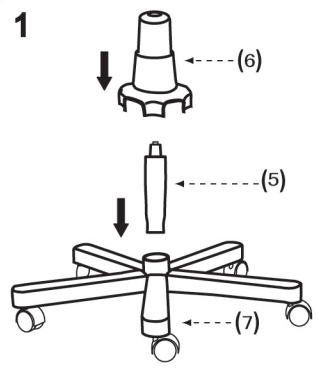


KINGSTON MAHOGANY 8511HLW
KNIGHTSBRIDGE 8513HLW
KINGSTON 8511HLW-PL
GUILFORD 8512-KC

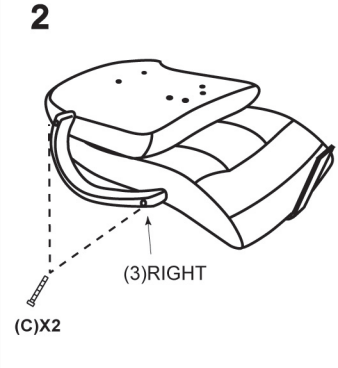
MODEL: RICHMOND 8511HLW-BN

(1)x1	(2)x1	(3)x1 (L)x1 (R)
		
(4)x 1	(5)x 1	(6)x 1
		
(7)x 1	Please unscrew all screws from cushion before assembly.	
	(A)x4  M8*22	(B)x4  M6*30
	(C)x4  M6*55	(D)x4  ARM CAP

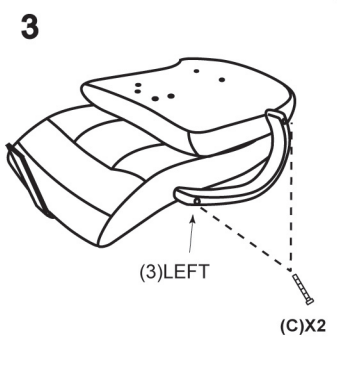
1



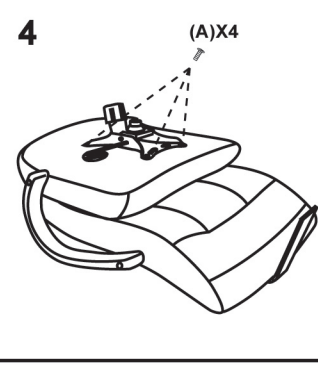
2



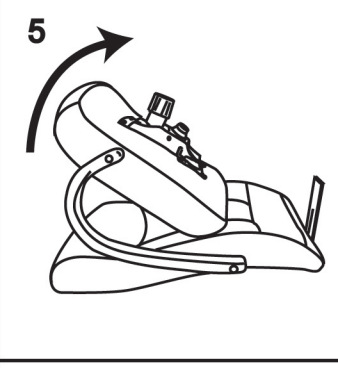
3



4

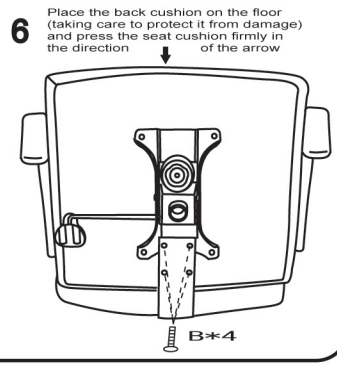


5

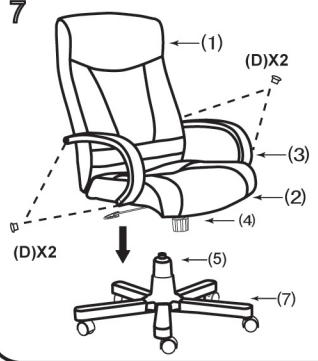


6

Place the back cushion on the floor (taking care to protect it from damage) and press the seat cushion firmly in the direction of the arrow



7



Do not fully tighten ANY screws until all are firmly in place

It is important to assemble all parts so that the directional "Arrows" point in the same direction. Make certain that all screws are FULLY tightened before using the chair. Each month, check all screws and tighten any that may have loosened.



If you encounter any problems with the operation of your chair, please refer to the downloads section of our web site - www.teknikoffice.co.uk for "Exec gas and tilt instructions"